

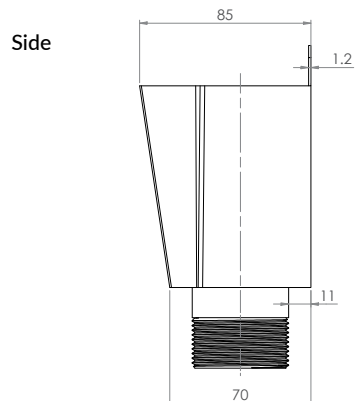
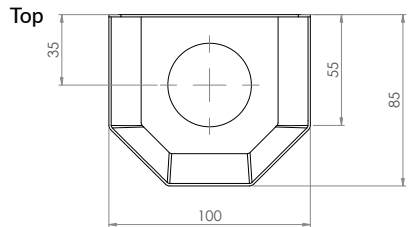
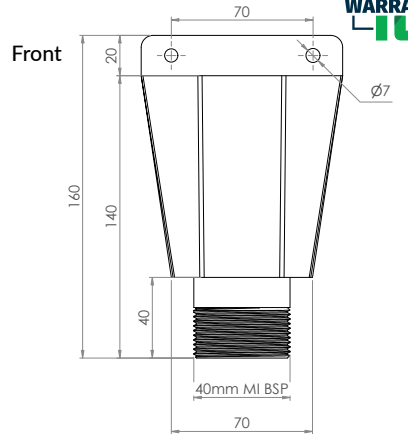
Trade Waste Solutions



Wall Mounted Tundish

CS-WMTUND

- 304 Grade Stainless Steel
- 40mm MI BSP
- Pre Drilled Fixing Holes
- Off The Shelf Available for Immediate Delivery



*Exclusions apply