

# Trade Waste Solutions



**INDUSTRY KITCHENS**  
www.industrykitchens.com.au 1800 611 058

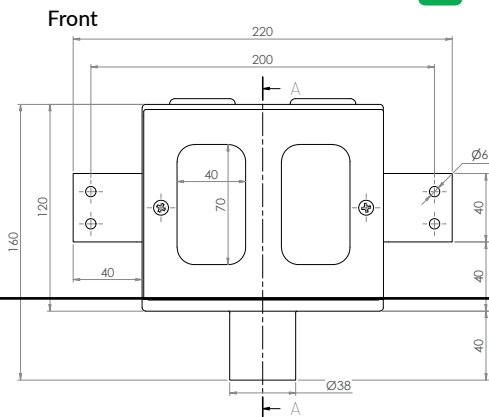
## Tundish



### CS-TUND

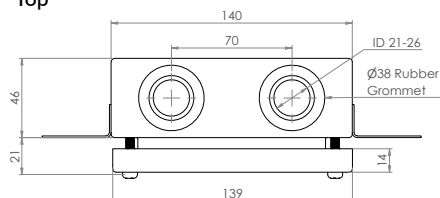
#### CS-AVTUND (ANTI VANDAL OPTION)

- 304 grade stainless steel
- Clear perspex front for easy inspection
- Easily removed face plate
- Pre-drilled fixing wings
- Available off the shelf
- Other sizes and styles available on request



CS-TFP - Replacement Front plate available

### Top



### Cross Section

