

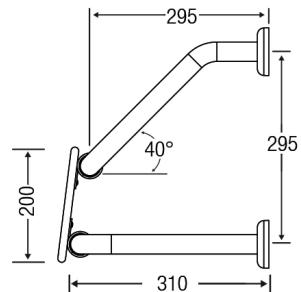
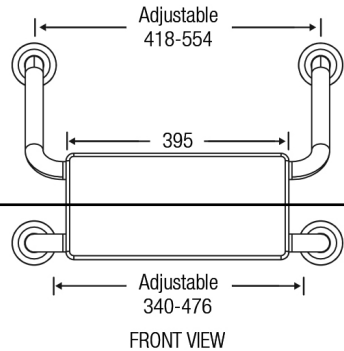
Washroom Accessories

Back Rests



BR-400-CF-SS

- 96° tamperproof, sanitary safe, polar white, UV stabilised high density polyethylene (HDPE) with rounded edge back support
- 32mm diameter x 1.2mm thickness
- 78mm clam flange
- 304 grade stainless steel
- Satin finish



SIDE VIEW

