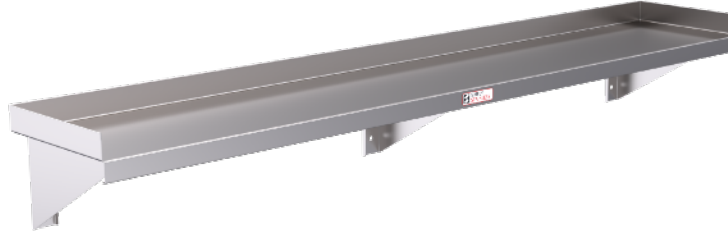


10-1500

*Units 600mm to 1500mm have 2 brackets.



10-1800

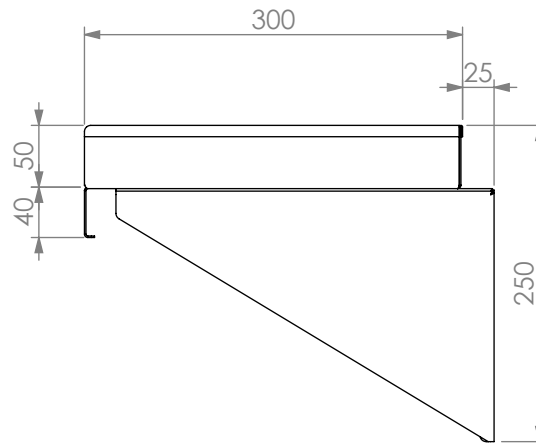
*Units 1800mm to 2100mm have 3 brackets.
*Units 2400mm have 4 brackets.



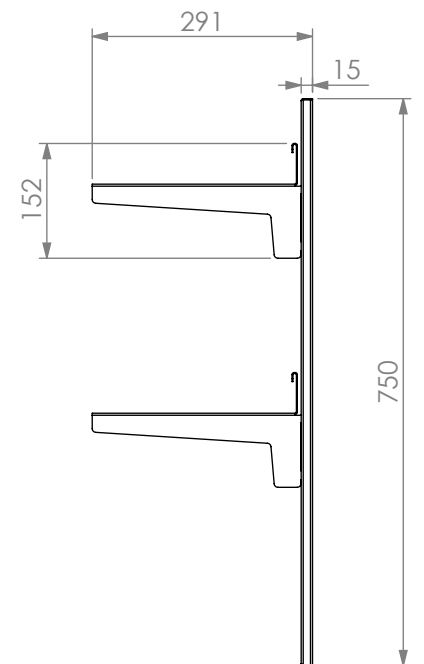
KIT A & KIT B

*KIT A have 2 brackets.
*KIT B have 3 brackets.

SPECIFICATION	
Tops	- High quality stainless steel. - 1.2mm gauge, no. 4 Finish. - Safety edge all around.
Frames	- Stainless Steel Brackets.



WALL SHELF



2 TIER ADJUSTABLE WALL SHELF KIT

10	Wall Shelf & Adjustable Wall Shelf Kit			
	Product Code	Unit weight (Kg)	Dimensions (mm)	Load capacity (Kg)
	10-0600	4.53	600x325x250	Load bearing dependent on wall type and fixing used.
	10-0900	5.88	900x325x250	
	10-1200	7.12	1200x325x250	
	10-1500	8.61	1500x325x250	
	10-1800	10.54	1800x325x250	
	10-2100	11.61	2100x325x250	
	10-2400	13.59	2400x325x250	
	KIT A	3	2x brackets	
	KIT B	4.4	3x brackets	