

Hustler® Parts Manual



HUSTLER®
TURF EQUIPMENT

200 South Ridge Road

Hesston, Kansas

67062



NOTICE OF REQUIREMENT OF SPARK ARRESTER MUFFLER

This equipment may create sparks that can start fires around dry vegetation. California Public Resources Code Section 4442.6 provides that it is unlawful to use or operate an internal combustion engine on any forest-covered, brush-covered, or grass-covered land unless the engine is equipped with a spark arrester maintained in effective working order. A spark arrester is a device constructed of nonflammable materials specifically for the purpose of removing and retaining carbon and other flammable particles over 0.0232 of an inch in size from the exhaust flow of an internal combustion engine that uses hydrocarbon fuels or which is qualified and rated by the United States Forest Service. Other states or federal areas may have similar laws. The Operator Should Contact Local Fire Agencies For Laws or Regulations Relating to Fire Prevention Requirements. **THIS EQUIPMENT DOES NOT HAVE A SPARK ARRESTER AND YOU SHOULD CONTACT YOUR AUTHORIZED DEALER FOR THE PURCHASE OF A SPARK ARRESTER.**

Inspect spark arrester daily; replace every 500 hours or as needed.

The Engine Owner's Manual provides information regarding the U.S. Environmental Protection Agency (EPA) and the California Emission Control Regulation of emission systems, maintenance and warranty.

Keep Engine Owner's Manual with your unit. Should the Engine Owner's Manual become damaged or illegible, replace immediately. Replacements may be ordered per the information found in the Product Information section of the owner's manual.

Federal law and California State law prohibit the following acts or the causing thereof:

1. The removal or rendering inoperative by any person other than for purposes of maintenance, repair, replacement, of any device or element of design incorporated into any equipment for the purposes of emissions control prior to or after its sales or delivery to the ultimate purchaser or while it is in use, or
2. The use of the equipment after such device or element of design has been removed or rendered inoperative by any person.

General Information	1
Frame, Fenders, Instrument Panel & Wire Harness	
Frame	4-1
Fenders, Footrest, Instrument Panel & Wire Harness	4-2
Battery	4-3
Transmissions, Drive Belt, Steering & Brake	
Transmissions & Drive Belt	5-1
Transmission Service Parts	5-2
Steering & Brake	5-3
Wheels & Tires	
Wheels & Tires	6-1
Front Wheel Assembly	6-2
Drive Wheel Breakdown	6-3
Engine, Clutch & Fuel Tank	
Engine & Clutch	7-1
Engine Service Parts & Fuel Tank - BAS 21R7	7-2
Deck, Deck Belt, Blades & Deck Lift	
Service Deck	8-1
Deck Pulleys & Spindles - S/N 20036229 & HIGHER	8-2
Deck Pulleys & Spindles - S/N PRIOR TO 20036229	8-3
Spindle Service Parts - 604214	8-4
Deck Belt, Discharge Chute, Pulley Covers & Blades	8-5
Deck Lift & Mounting Hardware (Multi-Page)	8-6
Seat	
Seat	9-1
'QUICK LIST' Replacement Parts List	2

General Information

Note: When ordering parts, you must use the part number as shown for each part, not the index number. Always give the model and serial number to your parts and service representative.

Note: Items sold in bulk such as seals and hoses are sold by the foot.

Using This Manual

This manual is part of a service package for the Hustler® mowers. Use of this manual in conjunction with other Hustler® mower and component manuals will provide the information necessary to service and maintain Hustler® mowers.

This Parts Manual provides a complete parts listing for the unit. Use this manual when ordering parts. Illustrations used were current at the time of printing, but subsequent production changes may cause your machine to vary slightly in detail. Excel Industries, Inc. reserves the right to redesign and change the machine as deemed necessary, without notification. If a change has been made to your machine which is not reflected in this parts manual, see your authorized dealer for current information and parts.

The Service Manual is a service guide for use by Service Technicians. It provides the necessary information needed to perform normal maintenance requirements on these units.

The Operator's Manual provides fundamental operational information and operational safety that is needed when operating the mower.

The component manuals are furnished by the various manufacturers to be used for the troubleshooting and servicing of their products.

Hardware Description Codes & Abbreviations

The following codes are used throughout this parts manual. Refer to this list when ordering parts.

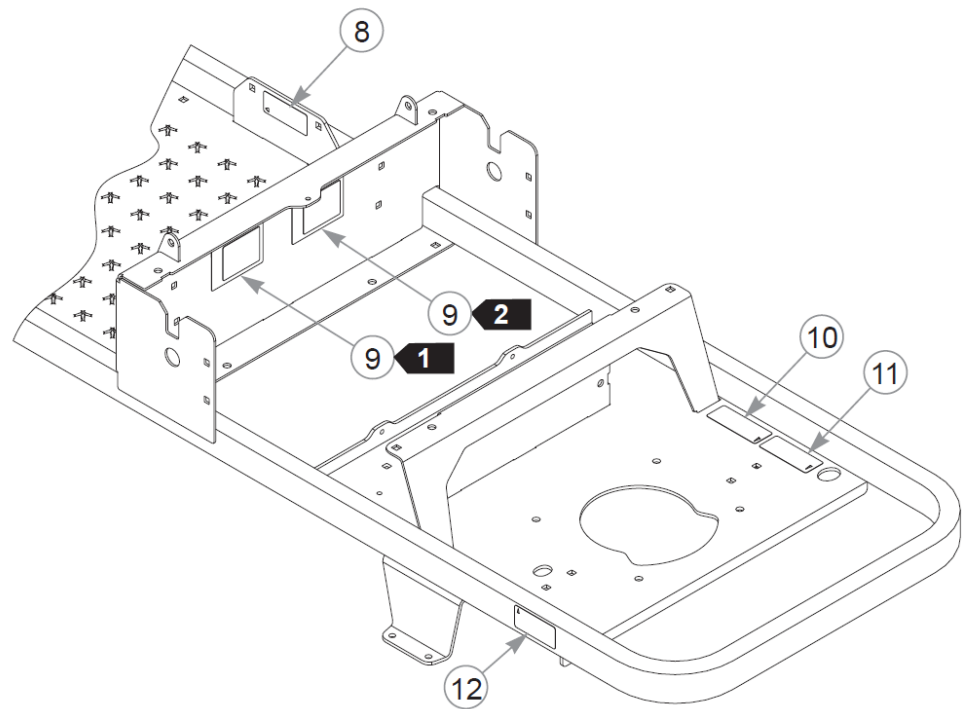
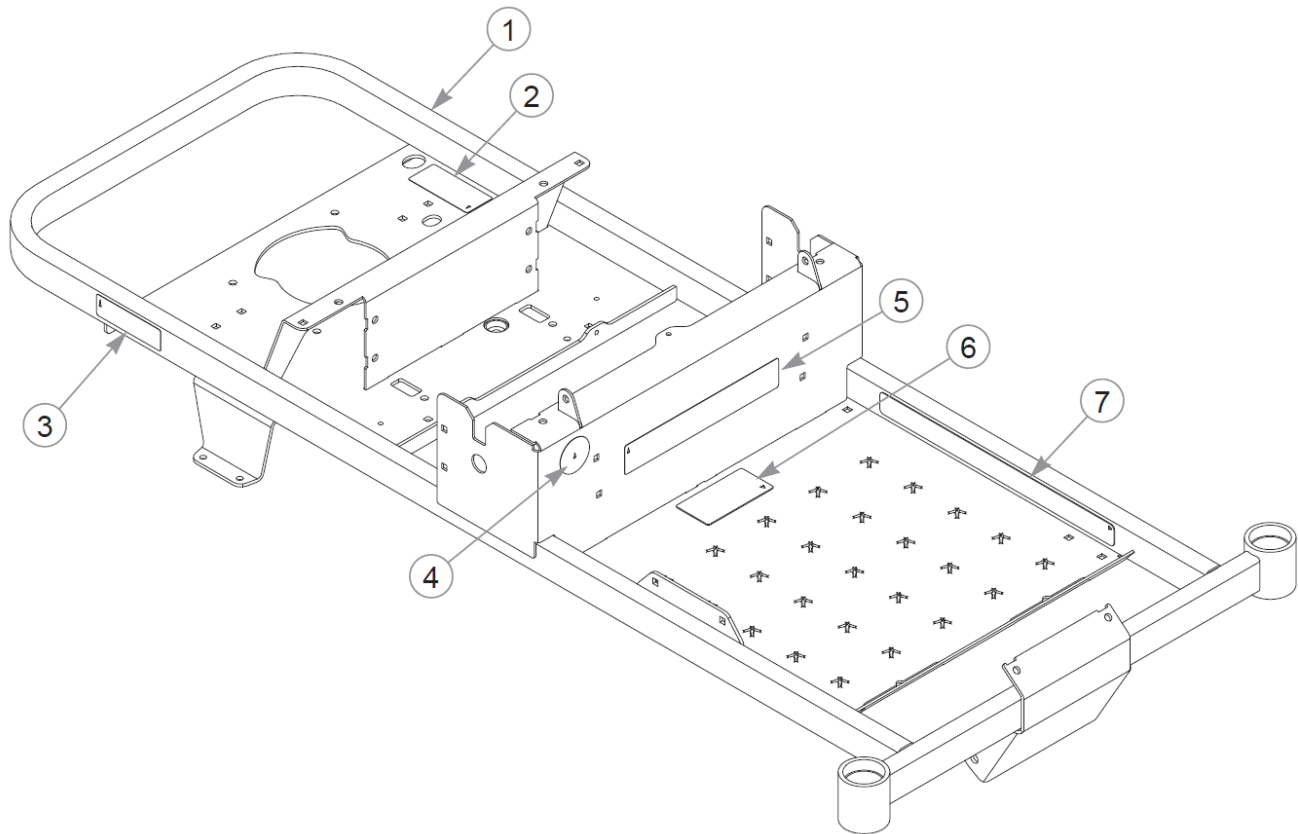
ABBREVIATION	DESCRIPTION	ABBREVIATION	DESCRIPTION
CB	CARRIAGE BOLT	MB	MACHINE BUSHING
CE	CLEVIS PIN	MS	MACHINE SCREW
CN	CLIP NUT	NT	NUT
CP	COTTER PIN	SC	SELF TAPPING CAP SCREW
CS	CAP SCREW	SH	SOCKET HEAD
CW	CUP WASHER	SB	SHOULDER BOLT
FDRW	FENDER WASHER	SS	SET SCREW
FW	FLAT WASHER	OD	OUTSIDE DIAMETER
HX	HEX HEAD	ID	INSIDE DIAMETER
LW	LOCK WASHER	WN	WELD NUT

Standard Torques

The following chart lists the standard torque values for the threaded fasteners found in this manual. Torque all cap screws, nuts and set screws to these values unless a different torque is shown in the Notes section next to the fastener.

SIZE	FT-LBS	N•M	SIZE	FT-LBS	N•M
.250	8.2	11.1	M3	1	1.3
.312	17	23	M4	2.2	3
.375	30	40	M5	4.5	6.1
.438	48	65	M6	7.7	10.4
.500	73	99	M8	18.5	25
.562	105	143	M10	37	50
.625	145	200	M12	64	87
.750	260	350	M14	80	108.5
.875	420	565	M16	160	215
1.00	625	850	M20	320	435
			M24	555	750

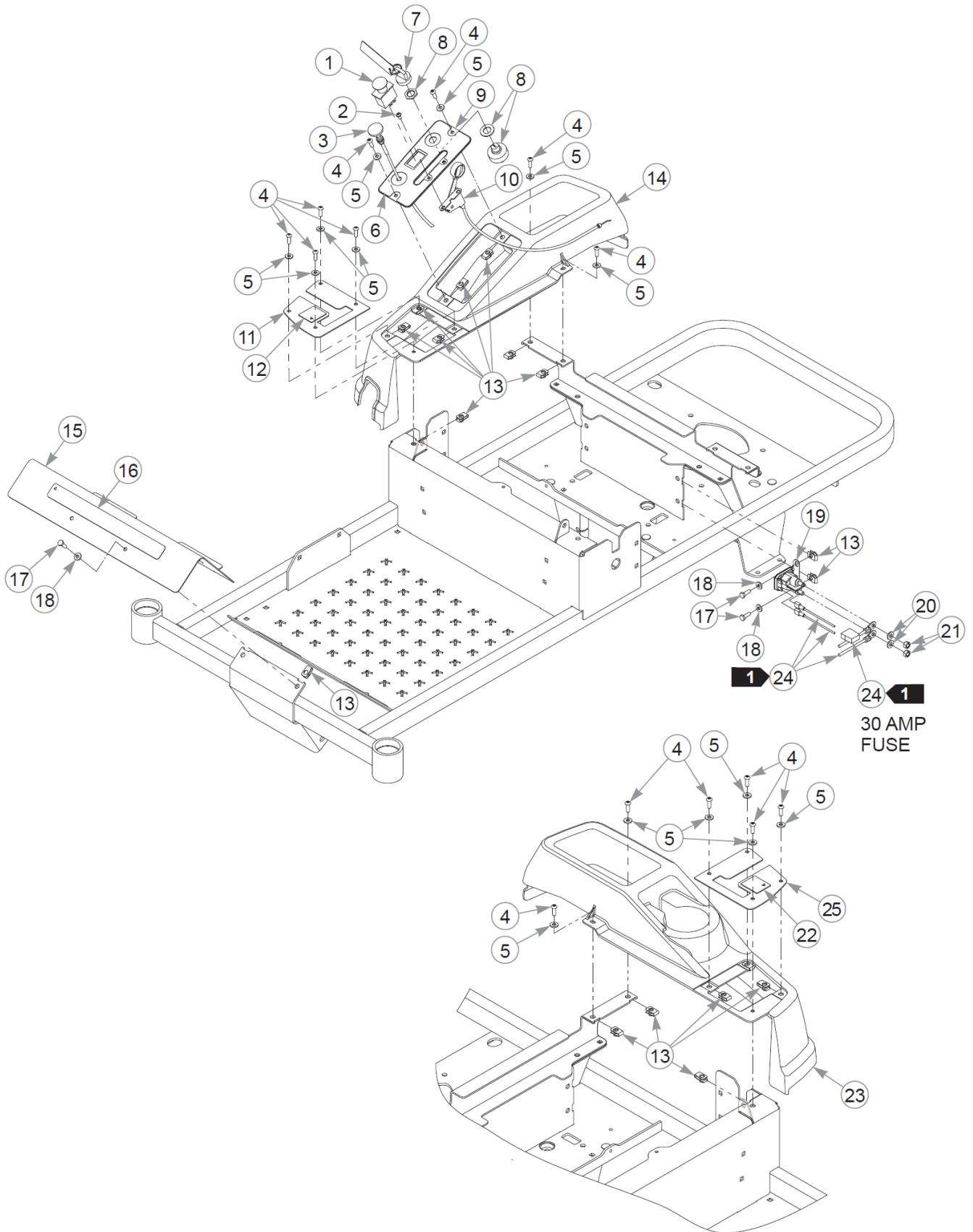
This page intentionally left blank



Item	Part No.	Qty	Name
1	554824	1	SVC, FRAME
2	601967	1	DECAL, ENGINE COMPART
3	607289	1	DECAL, GAS TANK WARNING
4	608127	1	DECAL, USA, F&D
5	608089	1	DECAL, DASH
6	600899	1	DECAL, PUMP BELT WARNING
7	601981	1	DECAL, SAFE OPERATE-GRAY
8	605685	1	DECAL, DECK HEIGHT
9	N/A	2	SERIAL NUMBER / SPEC DECAL
10	607296	1	DECAL, REMOVE FUEL CAP
11	607086	1	DECAL, LEVEL
12	602041	1	DECAL, HOT

Comments for Page: Frame

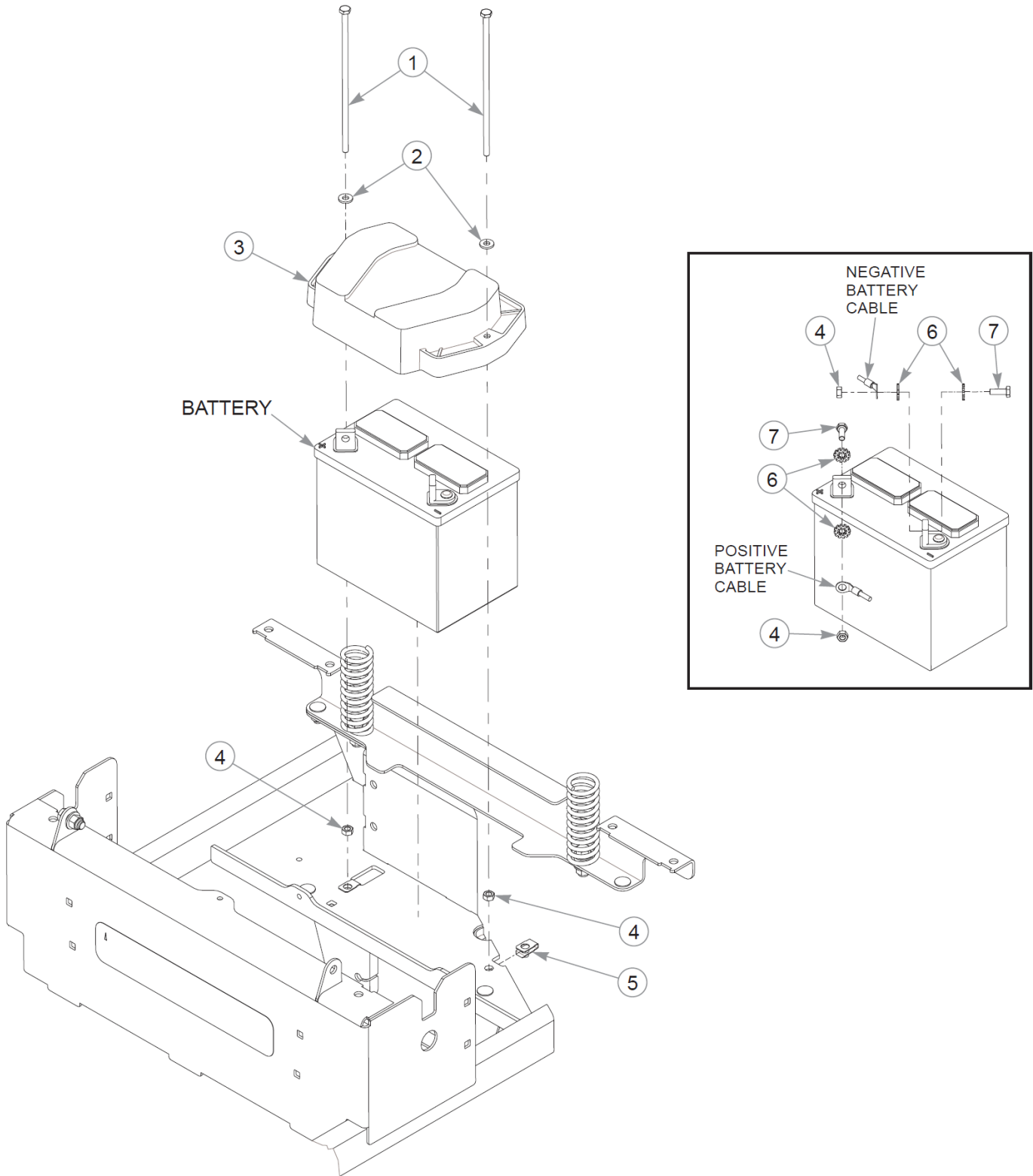
1. Serial number decal. In the event the serial number decal becomes damaged or illegible, please contact your dealer to order a replacement.
2. Patent numbers decal.
3. The frame includes the decals.



Item	Part No.	Qty	Name
1	776476	1	SWITCH, PTO 6201-321
2	606851	2	CS 10-24X .500 PH SH ZN
3	607056	1	CABLE, CHOKE CNTRL 26.5
4	605473	14	CS .250-20X0.75 BH TX BZ
5	605628	14	FW 0.281X.63X.07 ZB
6	607065	1	DECAL, INSTRUMENT PANEL
7	785808	1	KEY ASSEMBLY
8	045898	1	IGNITION SWITCH
9	554826	1	SVC, INST PANEL
10	607057	1	CABLE, THROTTLE CONTROL
11	554827	1	SVC, STEERING PLATE R
12	785220	1	DECAL, STEERING R.S.
13	601982	18	CN .250-20X .150 MAX THK
14	607063	1	FENDER RH
15	554829	1	SVC, FOOTREST
16	602407	1	DECAL, HUSTLER ID
17	055939	4	CS .250-20X0.75 HX G5 ZN
18	768515	4	FW 0.281SAE
19	606445	1	STARTER SOLENOID
20	768523	2	FW 0.343SAE
21	041152	2	NT 0.312-24 HX G8
22	785139	1	DECAL, STEERING L.S.
23	607064	1	FENDER LH
24	607085	1	WIRE HARNESS
<p>Comments for Part Num. 607085</p> <p>Hour Meter is NOT replaceable. The Hour Meter is hard-wired into the WIRE HARNESS.</p>			
25	554828	1	SVC, STEERING PLATE L

Comments for Page: Fenders, Footrest, Instrument Panel & Wire Harness

1. Part of the wire harness.
2. The instrument panel, and L & R steering plates include the decals.
3. Hour Meter is NOT replaceable. The Hour Meter is hard-wired into the WIRE HARNESS.

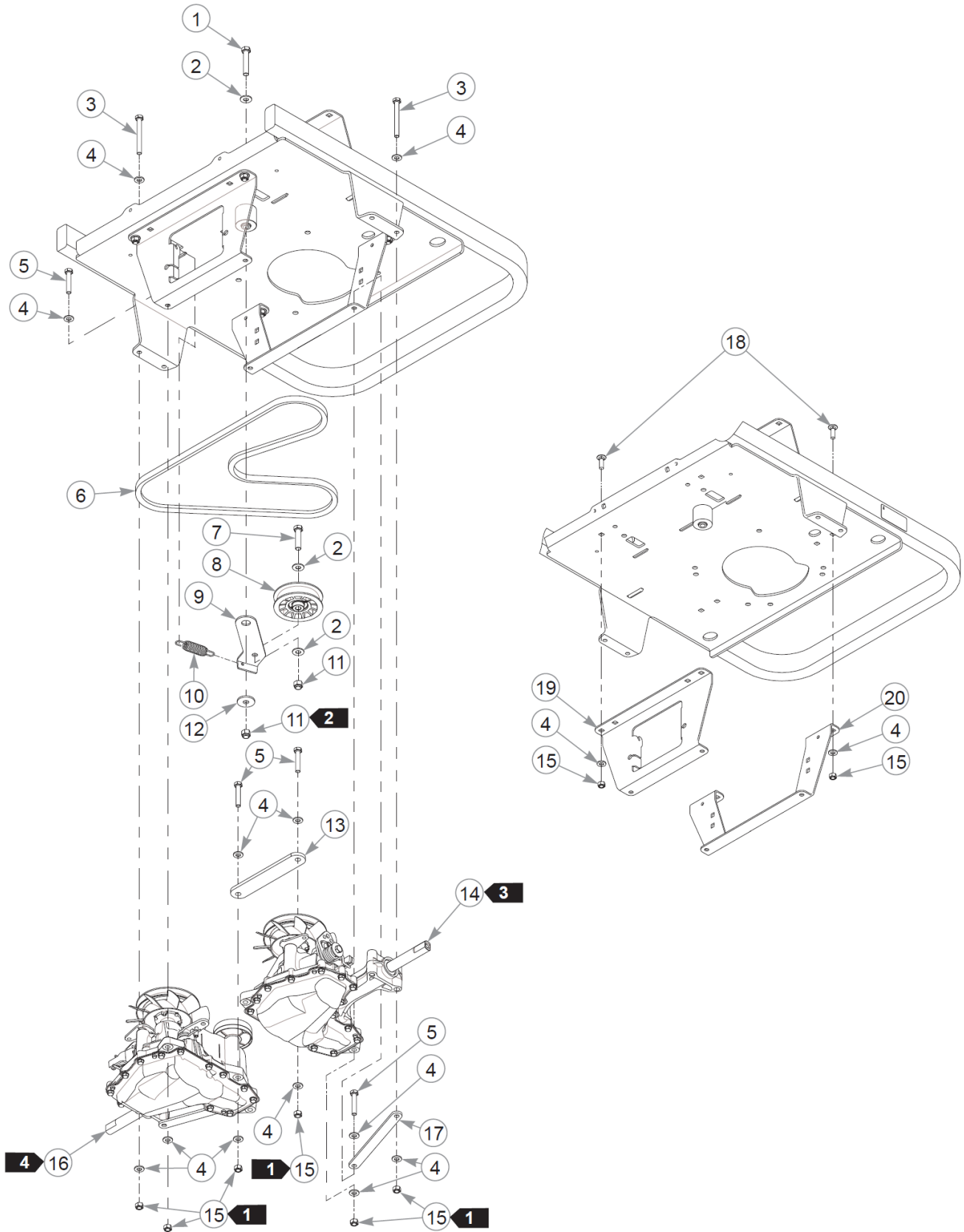


Battery

Item	Part No.	Qty	Name
1	604465	2	CS .250-20X7.50 HX G5 ZN
2	768515	2	FW 0.281SAE
3	607066	1	BATTERY COVER
4	024927	4	NT .250-20HXG5
5	601982	2	CN .250-20X .150 MAX THK
6	029868	4	LW .250 INTEXT ZN
7	055939	2	CS .250-20X0.75 HX G5 ZN

Comments for Page: Battery

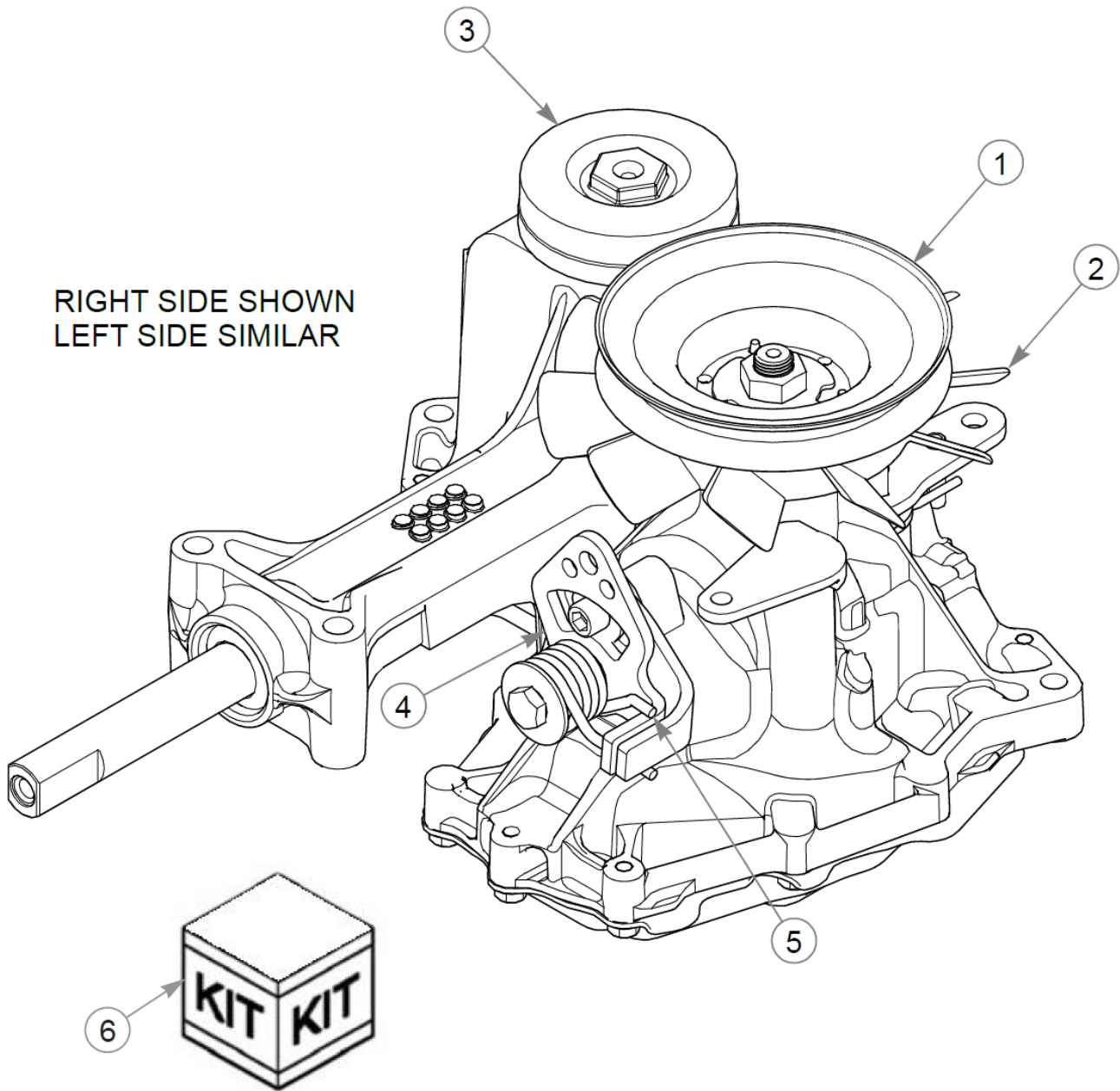
1. When performing service on the mower, disconnect the negative battery cable (black) and do not reconnect it to the battery until ready to start the engine.



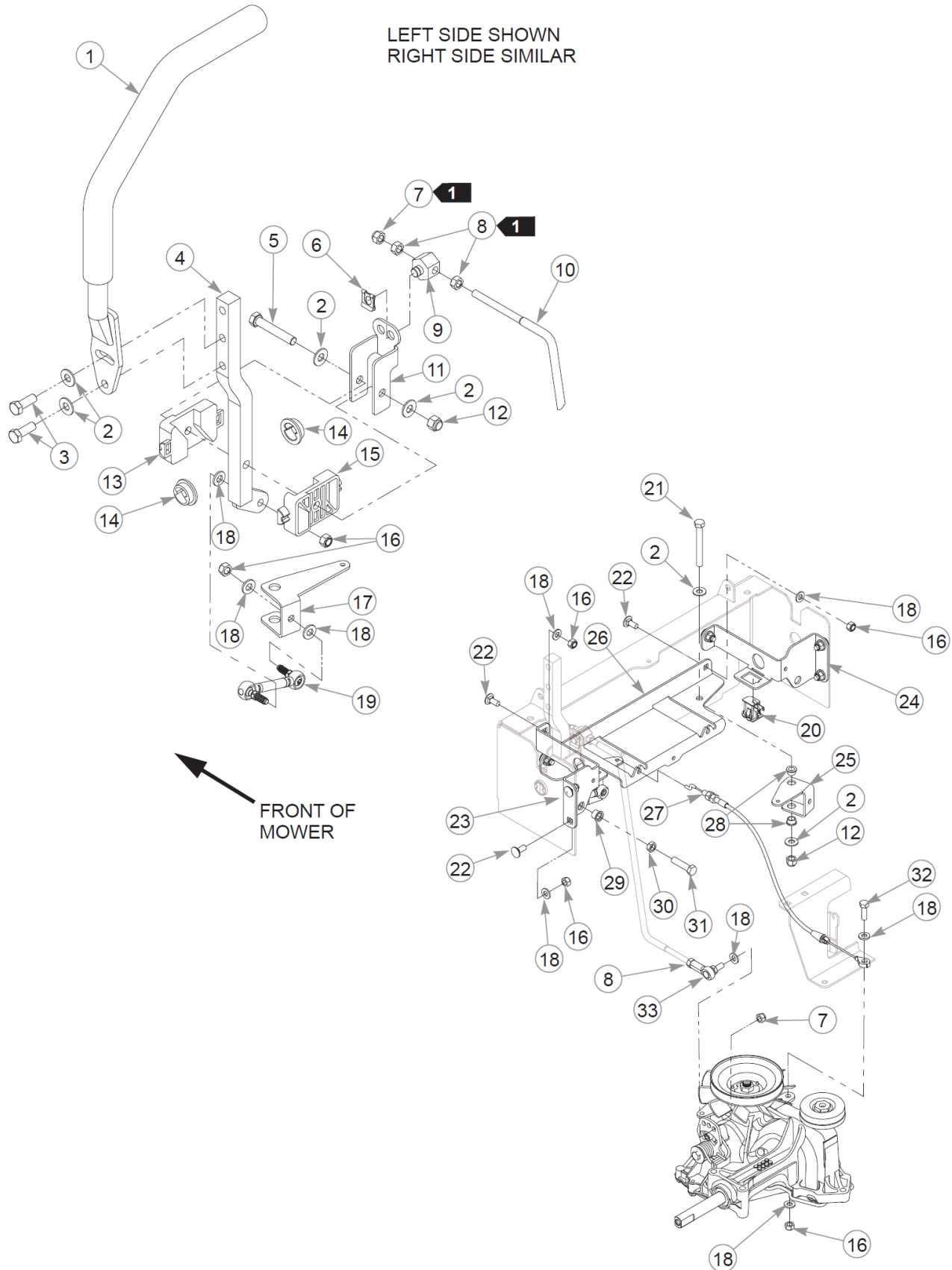
Item	Part No.	Qty	Name
1	016410	1	CS .375-16X2.000HXG5
2	767954	3	FW 0.379X.82X.06 HD ZN
3	043067	4	CS .312-18X3.000HXG5
4	768523	26	FW 0.343SAE
5	050161	6	CS .312-18X1.750HXG5
6	606997	1	DRIVE BELT
7	705160	1	CS .375-16X1.625HXG5
8	607163	1	PULLEY, 3" FLAT POLY
9	124545-4	1	TENSIONER ARM
10	607201	1	SPRING, EXTENSION
11	086660	2	NT .375-16 G8 NL
12	712893	1	FW 0.406X1.25X.12 HD ZN
13	124641-1	1	CROSS BRACE
14	606995	1	TRANSMISSION, ZT1800
15	058776	16	NT .312-18 NL G5
16	606994	1	TRANSMISSION, ZT1800
17	125017-1	2	LINK
18	037887	6	CB .312-18X 1.000 FUL ZN
19	124624-1	1	TRANSMISSION BRACKET
20	124625-1	1	TRANSMISSION BRACKET

Comments for Page: Transmissions & Drive Belt

1. Torque to 17 ft-lbs.
2. Tighten the nut, but make sure the tensioner arm still pivots freely.
3. Left side transmission.
4. Right side transmission.



Item	Part No.	Qty	Name
1	607128	1	KIT, FAN PULLEY
2	607727	1	FAN - 7.0" (10 BLADE)
3	607131	1	BREATHER ASSY
4	607129	1	KIT, RTN
5	607130	1	RTN SPRING
6	608515	1	KIT - SEAL, ZT1800



Steering & Brake

34" Dash Parts Manual - 938480 - HTDSHS034BAS21R707A

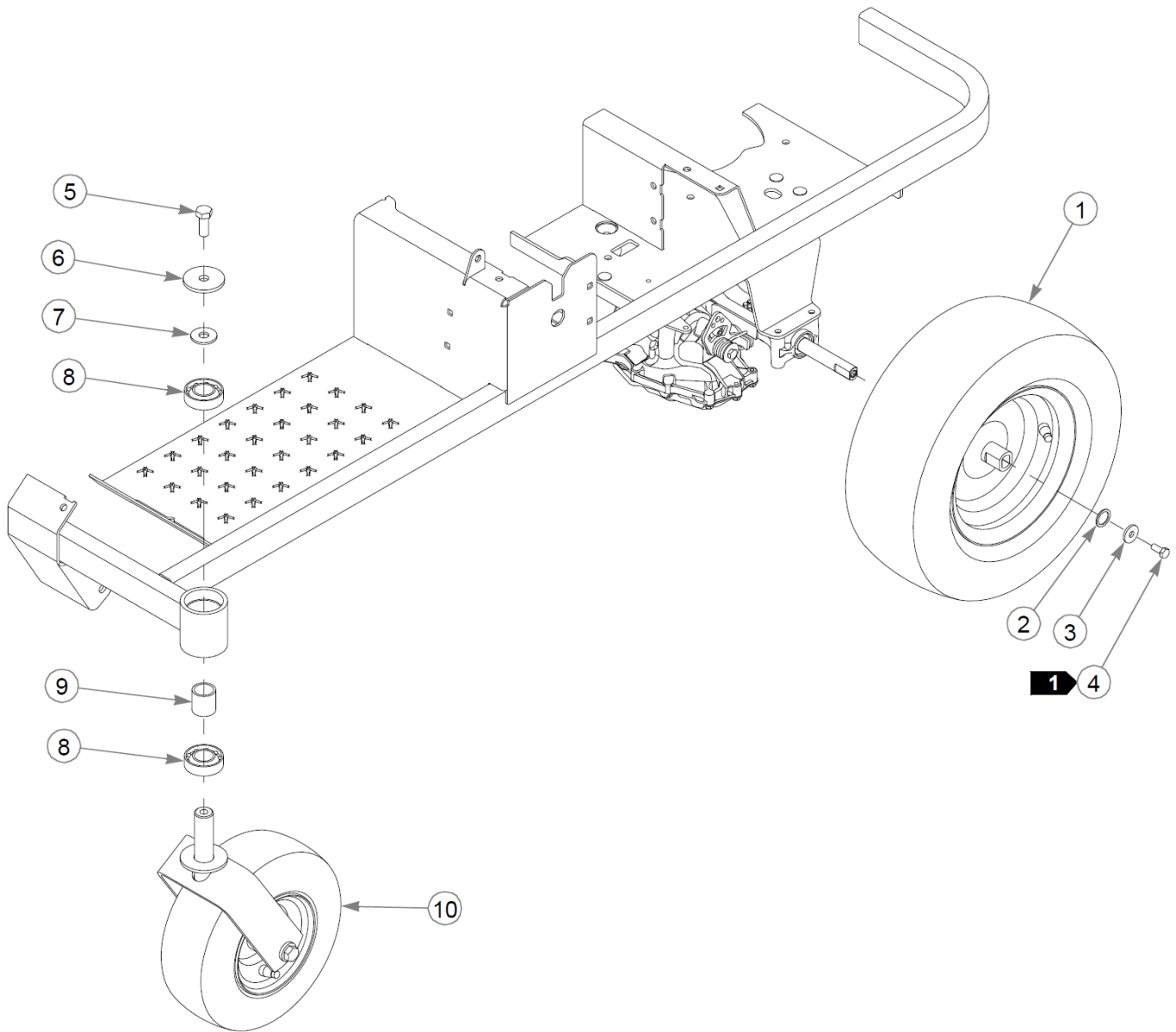
Item	Part No.	Qty	Name
1	607069	2	STEERING BAR W/A
Not Shown	781260	2	GRIP, STEERING BAR
2	767954	12	FW 0.379X.82X.06 HD ZN
3	036244	4	CS .375-16X1.00 HX G5 ZN
4	607073-4	2	STEERING LEVER W/A
5	056036	2	CS .375-16X2.250HXG5
6	606575	2	CLIP, SAFETY
7	023655	4	NT 0.312-24 NL G8
8	041152	6	NT 0.312-24 HX G8
9	116144	2	BLOCK, STEERING CONTROL
10	607081-4	2	STEERING ROD
11	124628-3	2	STEERING LINK
12	086660	4	NT .375-16 G8 NL
13	607076	2	STEERING BLOCK B
14	607078	4	STEERING BUSHING
15	607077	2	STEERING BLOCK A
16	058776	14	NT .312-18 NL G5
17	124621-3	1	BRAKE LINK - LH
18	768523	20	FW 0.343SAE
19	604179	2	BRAKE LINK
20	793315	2	SWITCH, SNAP MOUNT
21	016444	2	CS .375-16X3.000HXG5
22	016253	8	CB .312-18 X .75 FUL ZN
23	554832	1	SVC, STEERING BRACKET L
24	554831	1	SVC, STEERING BRACKET R
25	124622-3	1	BRAKE LINK- RH
26	554830	1	SVC, BRAKE BRACKET
27	607084	2	BRAKE CABLE
28	765339	4	BUSHING,IGUS#0608 (FS)
29	808493	2	RIVET NUT, 3/8-16 THREA
30	706168	2	NT .375-16JAMG5
31	604365	2	CS .375-12X1.50 HX G5 ZN
32	036236	2	CS .312-18X1.000HXG5
33	768788	2	ROD END W/STUD FEM NYLON

Comments for Page: Steering & Brake

Steering & Brake

1. Torque to 14 ft-lbs.
2. The steering bar includes the grip.
3. The steering brackets include rivet nuts.
4. The brake bracket includes the decal.

This page intentionally left blank

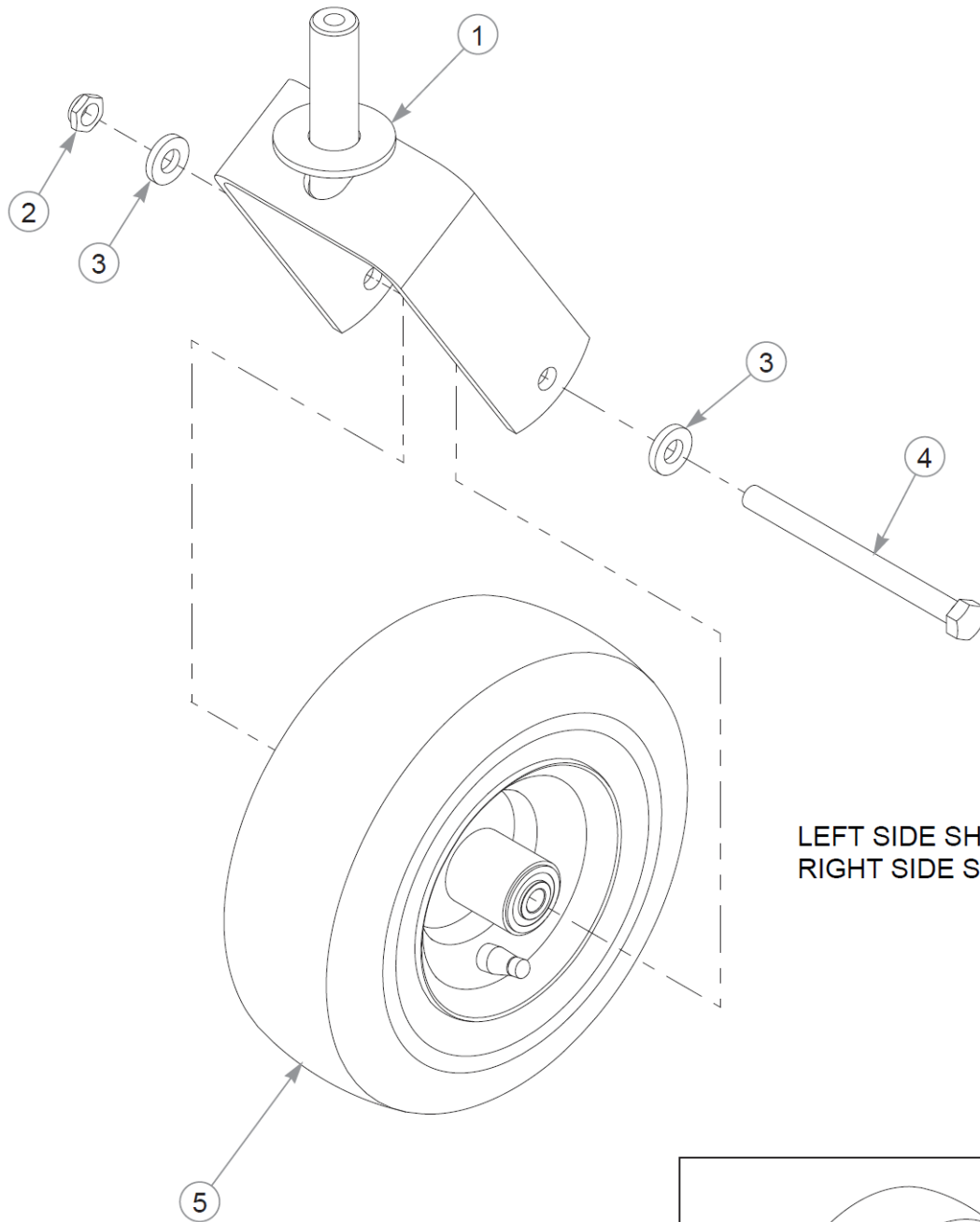


Wheels & Tires

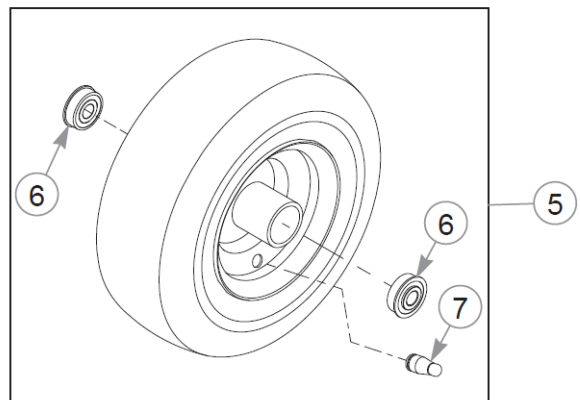
Item	Part No.	Qty	Name
1	606988	2	TIR/WHL 16X6.50-8 SLV
2	608614	2	FW .750X1.000X.063 RBBR
3	712927	2	FW 0.344X1.00X.12 HD ZN
4	606989	2	CS .312-24 X .750 HX G5
5	705954	2	CS .500-13X1.25 HX G5 ZN
6	344267	2	FW .510X2.15X.19 ZN
7	712976	2	FW 0.531X1.38X.12 ZN
8	784223	4	BEARING
9	784603	2	SPACER
10		2	REFER TO "FRONT WHEEL ASSEMBLY BREAKDOWN"

Comments for Page: Wheels & Tires

1. Torque to 17 ft-lbs.

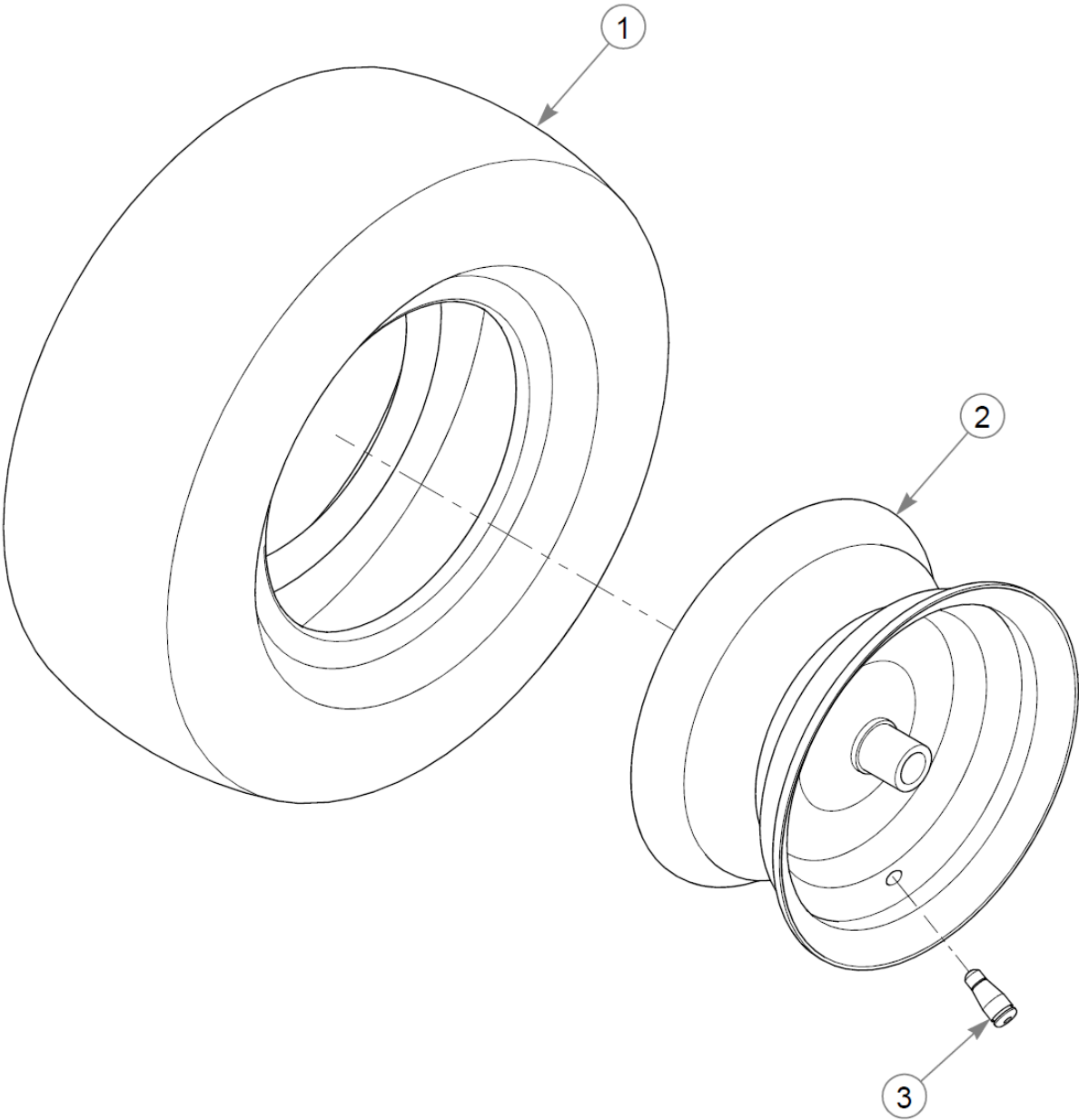


LEFT SIDE SHOWN
RIGHT SIDE SIMILAR



Front Wheel Assembly

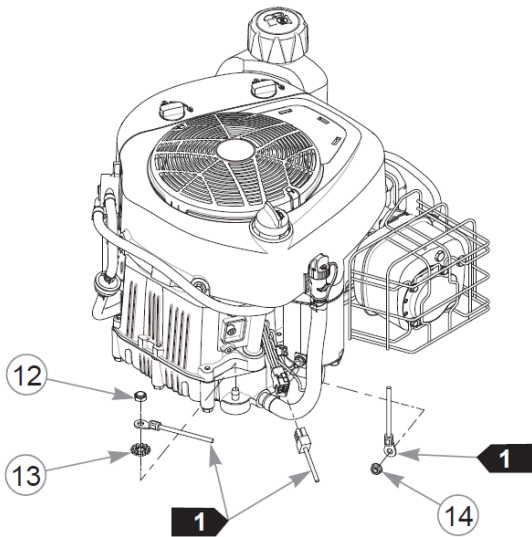
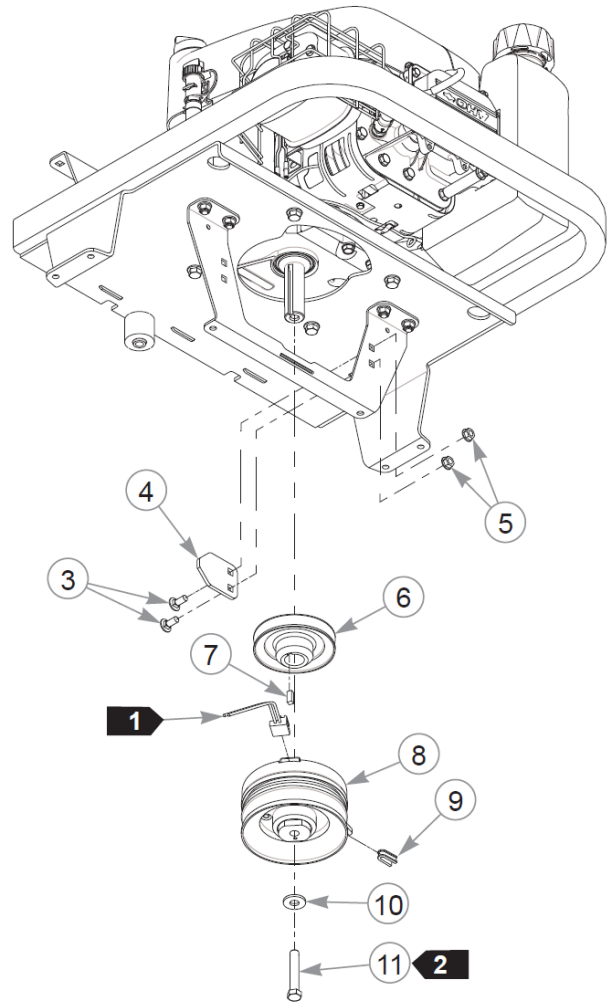
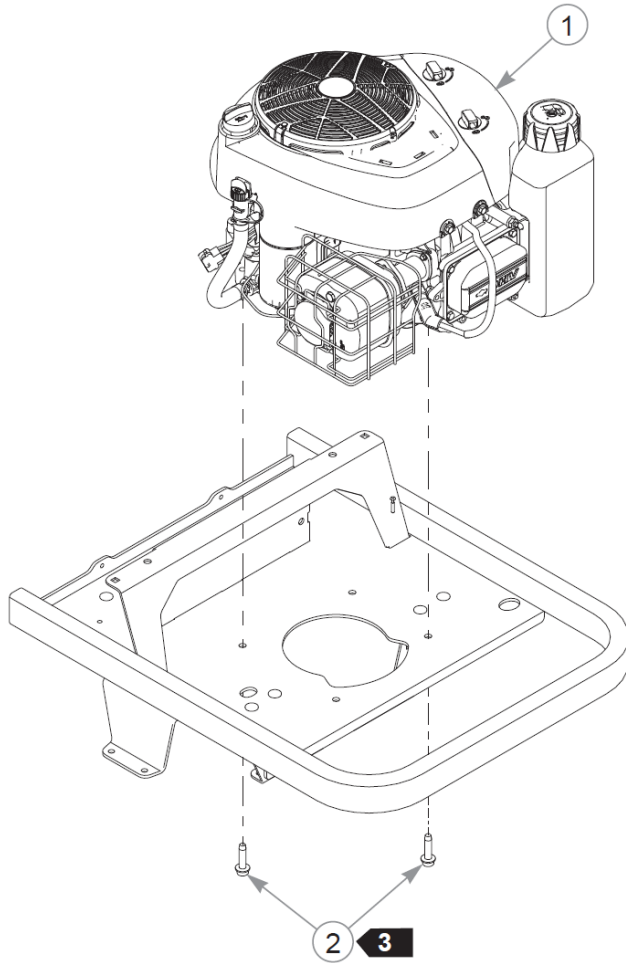
Item	Part No.	Qty	Name
1	110116	1	CASTER FORK W/A
2	707398	1	NT .500-13 JAM NY LK
3	767962	2	FW .531 x 1.063 x .175
4	604718	1	CS .500-13X6.00 HX G5 ZN
5	607009	1	TIR/WHL 11X4.00-5 SLV
6	607026	2	BEARING, BALL SEALED
7	019521	1	TIRE VALVE TR-412 GOODY



Drive Wheel Breakdown

34" Dash Parts Manual - 938480 - HTDSHS034BAS21R707A

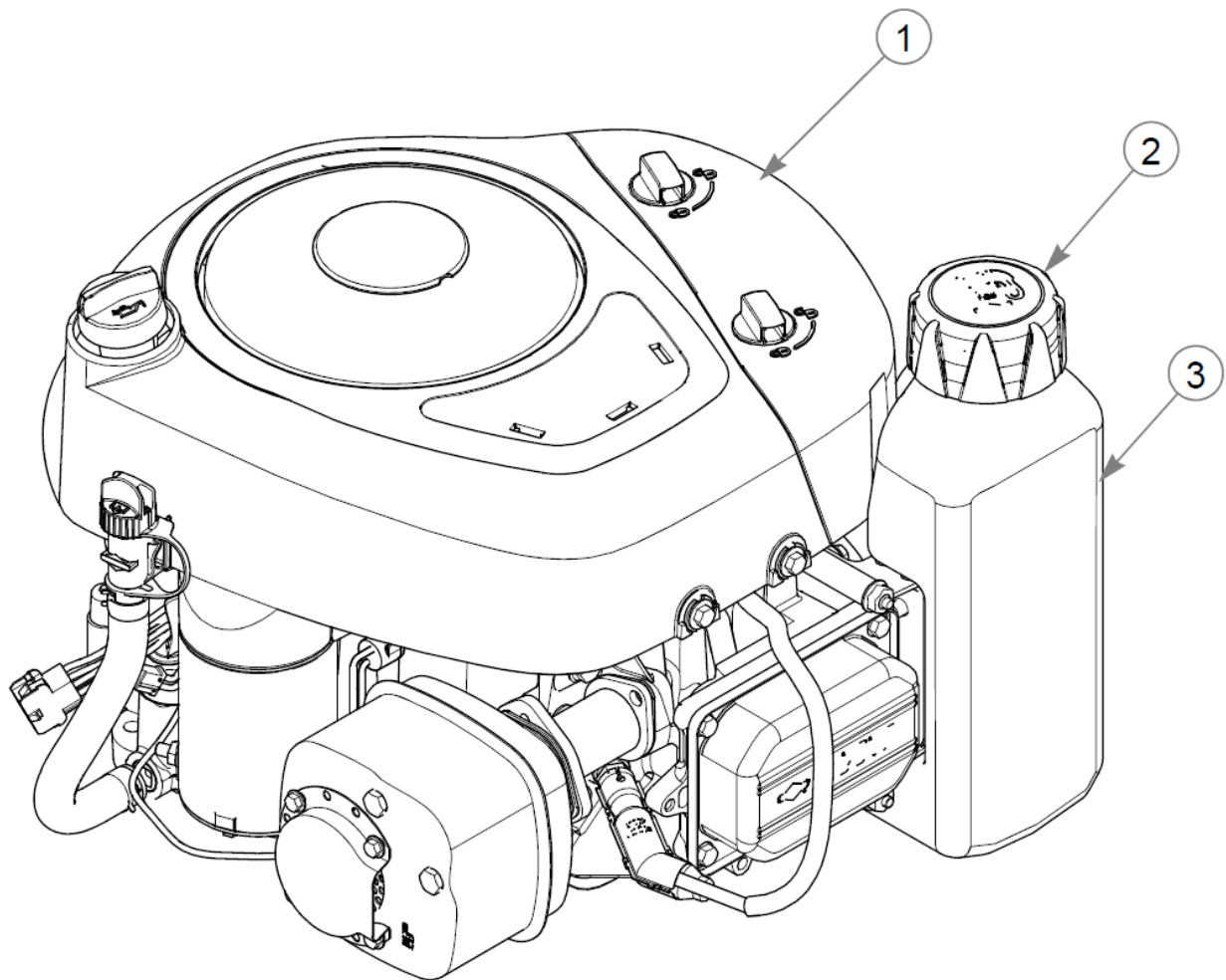
Item	Part No.	Qty	Name
1	607000	1	TIR 16X6.50-8 B4R GRMR
2	606999	1	WHL 8X3.75 0X0.0 SLV
3	019521	1	TIRE VALVE TR-412 GOODY



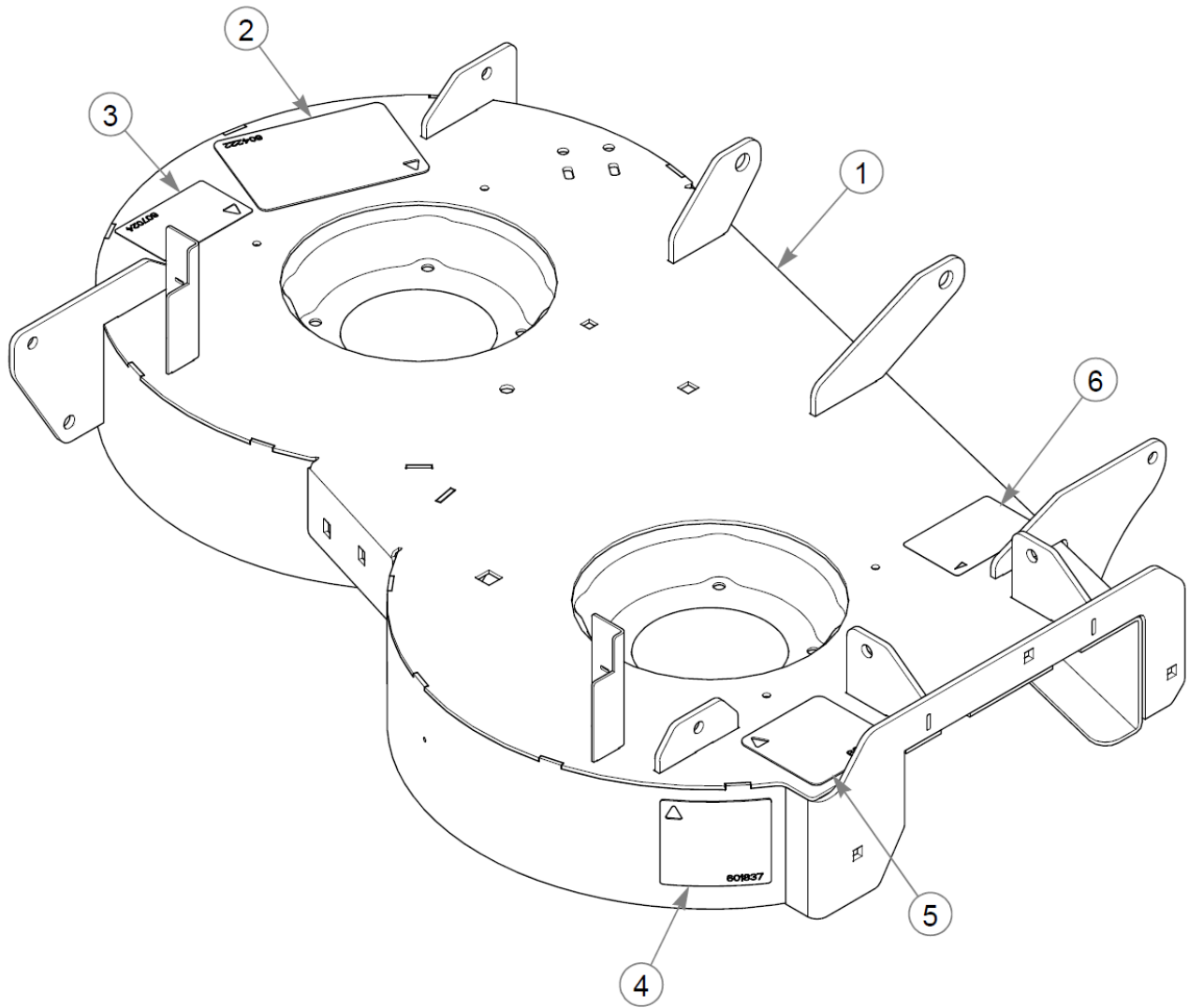
Item	Part No.	Qty	Name
1		1	ENGINE, BAS 21R7
2	605997	4	SC0.375-16X1.500FLG
3	016253	2	CB .312-18 X .75 FUL ZN
4	124547-1	1	CLUTCH ANCHOR, YELLOW
5	016832	2	NT .312-18FLKG5
6	607005	1	PULLEY, ENG 4.45 OP 1
7	712372	1	KEY 1/4 SQ X 0.66 LG(FS)
8	606996K	1	KIT, CLUTCH DASH
9	607232	1	BUSHING, CLUTCH ANCHOR
10	602680	1	FW .453X1.12X.12 HRD ZN
11	785659	1	CS .437-20X2.50 HXG5 P85
12	603846	1	NT .375-16 HX NL JAM ZN
13	793885	1	LW .375 INTEXT ZN
14	016816	1	NT .250-20FLKG5

Comments for Page: Engine & Clutch

1. Part of the wire harness.
2. Torque to 45–48 ft-lbs. Replace (do not reuse) the cap screw if it is removed or loosened. Use only hand tools to install this fastener.
3. Torque to 30 ft-lbs.



Item	Part No.	Qty	Name
1	607136	1	SVC, AIR CLEANER
2	607156	1	FUEL CAP, BAS M21
3	607155	1	FUEL TANK ASSY, BAS M21

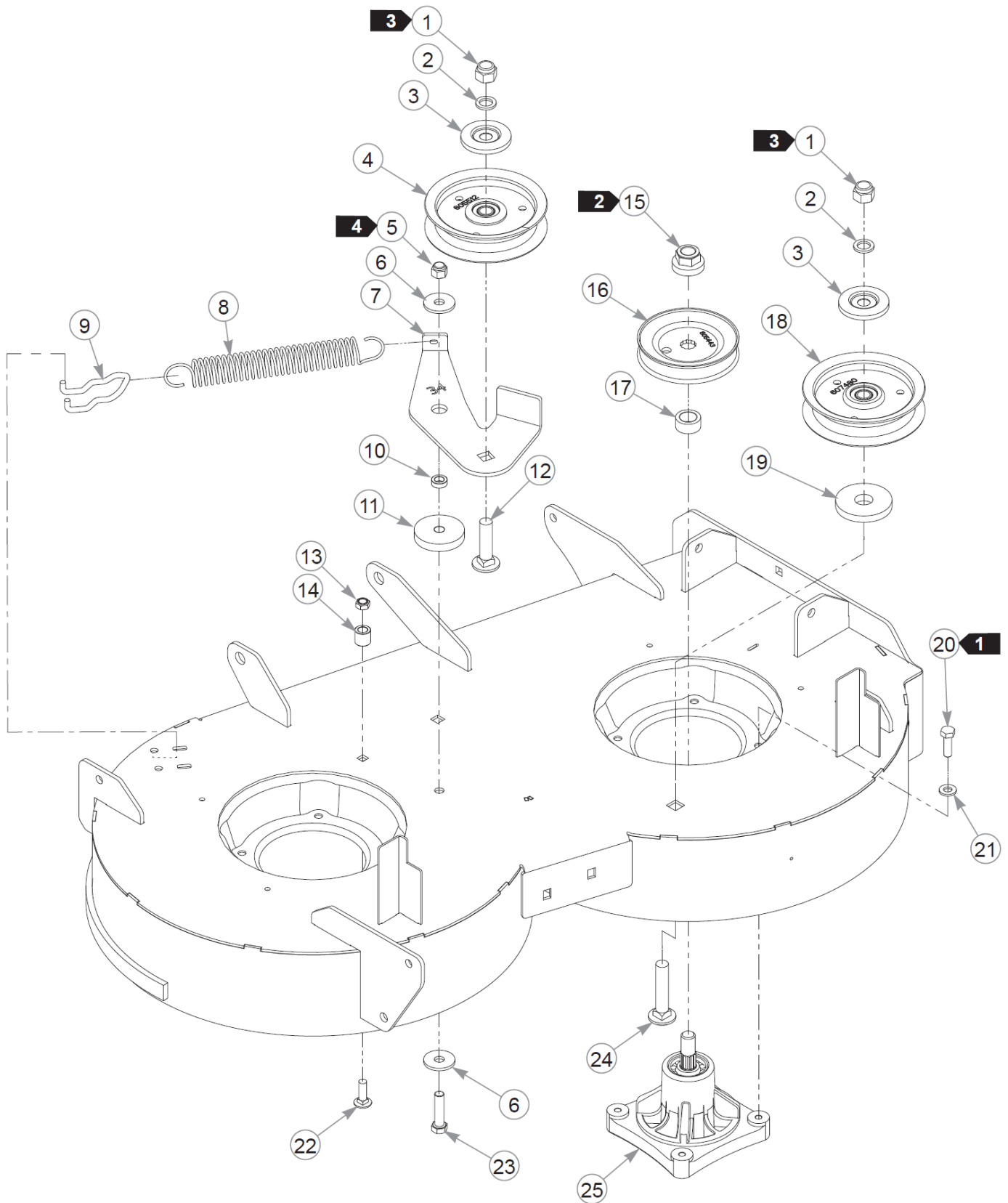


Service Deck

Item	Part No.	Qty	Name
1	554913	1	34" SERVICE DECK
2	604222	1	DECAL, DANGER / OBJECTS
3	607024	1	DECAL, 34" DECK I.D.
4	601837	1	DECAL, DECK DANGERS
5	607316	1	DECAL, DANGER CHUTE
6	602243	1	DECAL, BELT ROUTING

Comments for Page: Service Deck

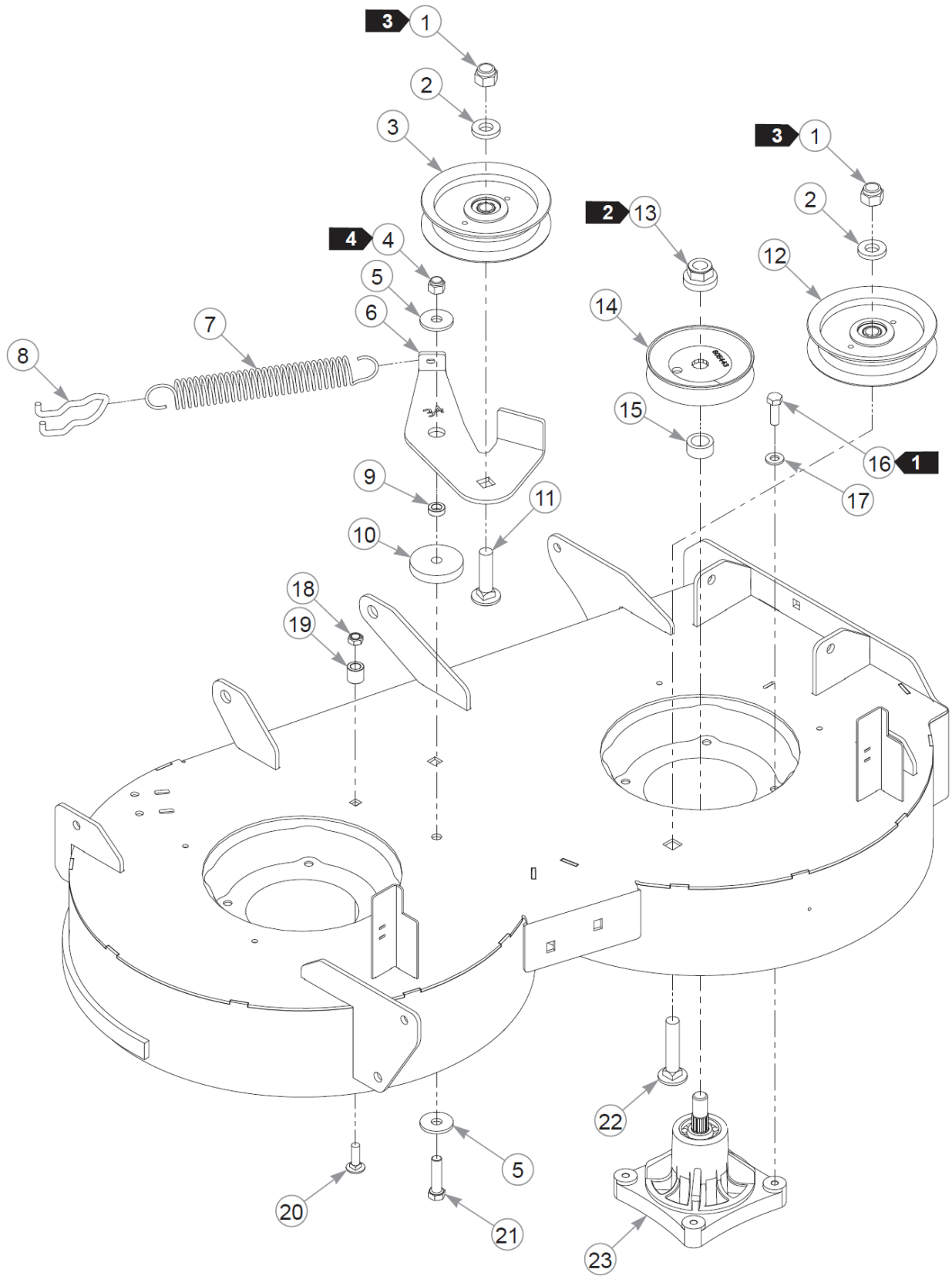
1. The frame includes the decals.



Item	Part No.	Qty	Name
1	781567	2	NT .500-13NLG5
2	604486	2	FW .531X.812X.089 HD
3	605467	2	DUST SHIELD
4	605512	1	4" IDLER PULLEY
5	086660	1	NT .375-16 G8 NL
6	712893	2	FW 0.406X1.25X.12 HD ZN
7	124955-4	1	IDLER ARM, PIVOTING 34"
8	605379	1	SPRING, EXTENSION
9	604110	1	ANCHOR, SPRING TENSIONER
10	601839	1	PIVOT SPACER BUSHING
11	117539	1	SPACER, IDLER ARM
12	604253	1	CB .50-13 X 2.00 STD ZN
13	604251	1	NT .312-18 HXNL JAM G2ZN
14	122398	1	TENSIONING PULLEY STOP
15	606943	2	NT .562-18 HX NLG5
16	605443	2	DRIVE PULLEY-36"
17	604123	2	SPACER, PULLEY
18	126123	1	SVC KIT 604219 PULLEY
19	605508	1	FW .73X2.25X.31 ZN
20	036236	8	CS .312-18X1.000HXG5
21	768523	8	FW 0.343SAE
22	037887	1	CB .312-18X 1.000 FUL ZN
23	080655	1	CS .375-16X1.500HXG5
24	604254	1	CB .50-13 X 2.50 STD ZN
25	604214	2	SPINDLE ASSY, RAP/ALP

Comments for Page: Deck Pulleys & Spindles - S/N 20036229 & HIGHER

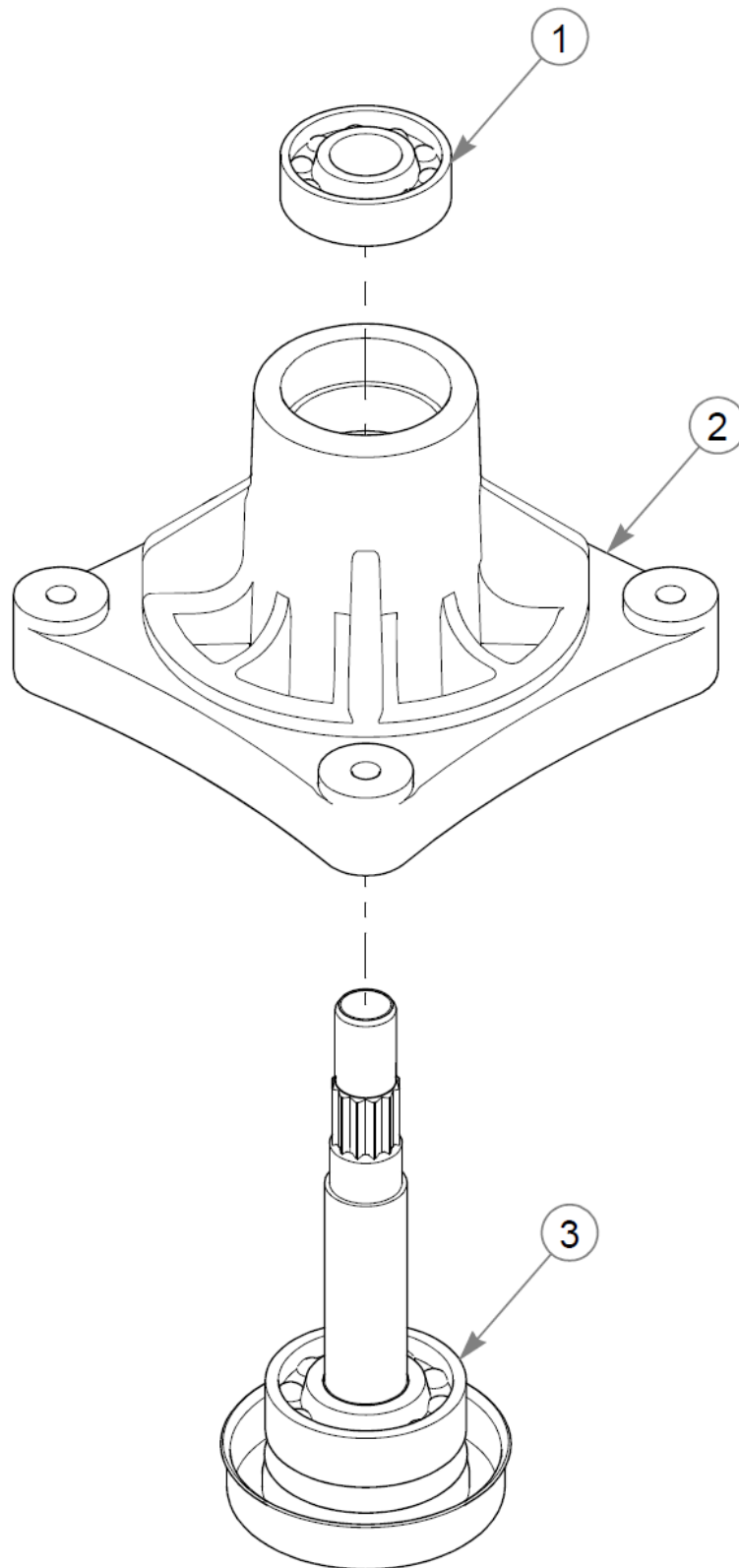
1. Torque to 18 ft-lbs.
2. Torque to 75 ft-lbs.
3. Torque to 73 ft-lbs.
4. Torque to 30 ft-lbs. The idler arm must pivot freely.



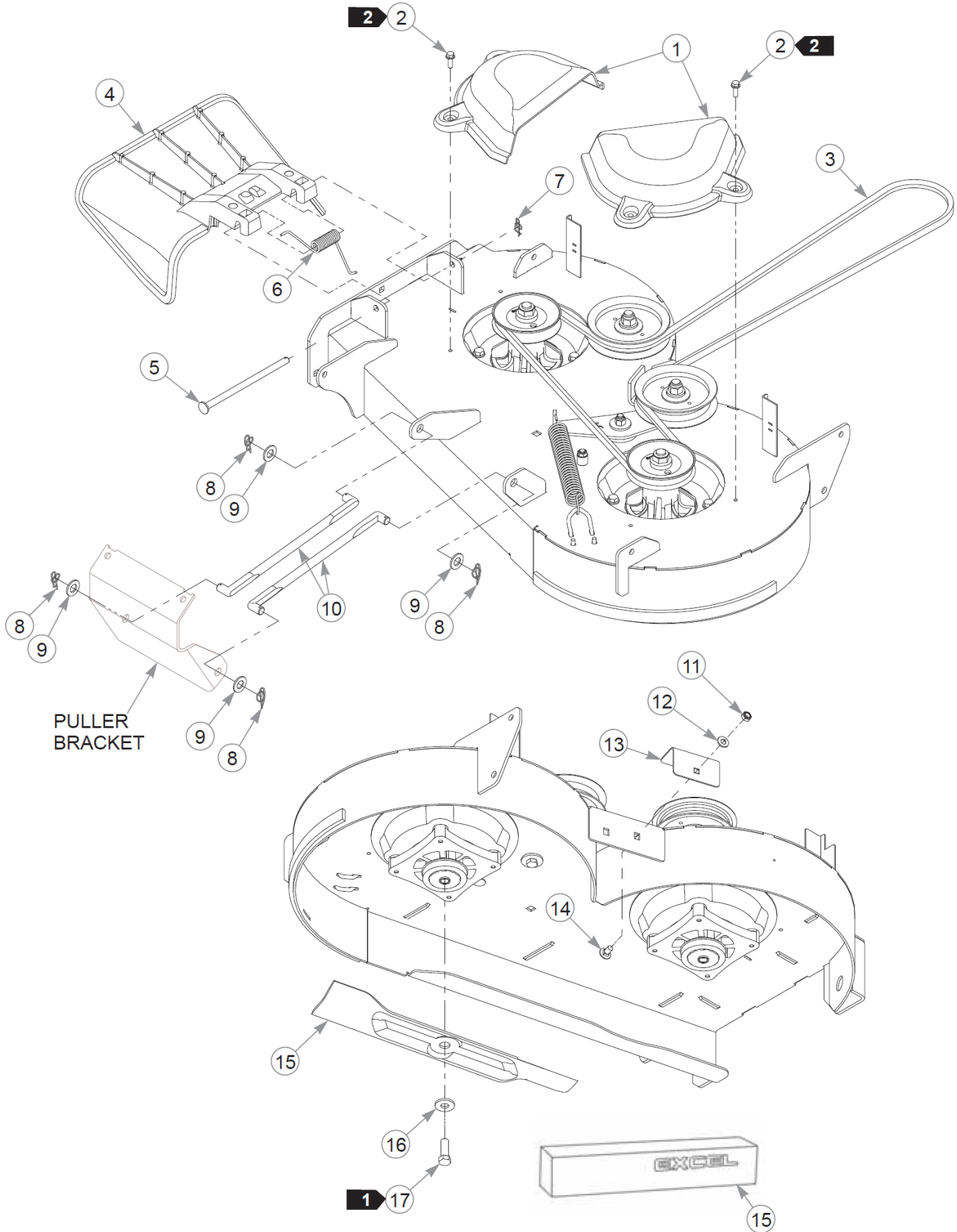
Item	Part No.	Qty	Name
1	781567	2	NT .500-13NLG5
2	767962	2	FW .531 x 1.063 x .175
3	605512	1	4" IDLER PULLEY
4	086660	1	NT .375-16 G8 NL
5	712893	2	FW 0.406X1.25X.12 HD ZN
6	124955-4	1	IDLER ARM, PIVOTING 34"
7	605379	1	SPRING, EXTENSION
8	604110	1	ANCHOR, SPRING TENSIONER
9	601839	1	PIVOT SPACER BUSHING
10	117539	1	SPACER, IDLER ARM
11	604253	1	CB .50-13 X 2.00 STD ZN
12	126123	1	SVC KIT 604219 PULLEY
13	606943	2	NT .562-18 HX NLG5
14	605443	2	DRIVE PULLEY-36"
15	604123	2	SPACER, PULLEY
16	036236	8	CS .312-18X1.000HXG5
17	768523	8	FW 0.343SAE
18	604251	1	NT .312-18 HXNL JAM G2ZN
19	122398	1	TENSIONING PULLEY STOP
20	037887	1	CB .312-18X 1.000 FUL ZN
21	080655	1	CS .375-16X1.500HXG5
22	604254	1	CB .50-13 X 2.50 STD ZN
23	604214	2	SPINDLE ASSY, RAP/ALP

Comments for Page: Deck Pulleys & Spindles - S/N PRIOR TO 20036229

1. Torque to 18 ft-lbs.
2. Torque to 75 ft-lbs.
3. Torque to 73 ft-lbs.
4. Torque to 30 ft-lbs. The idler arm must pivot freely.



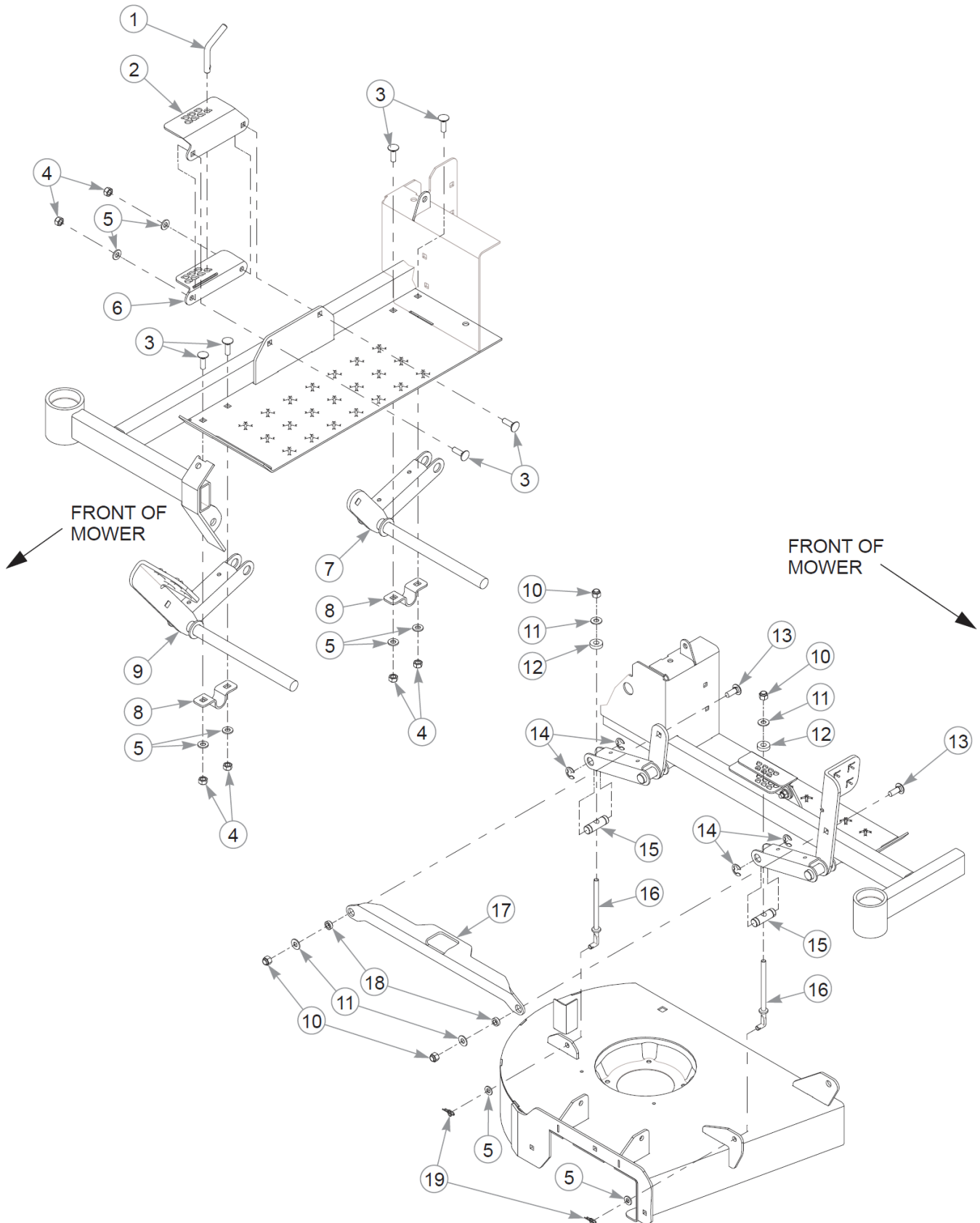
Item	Part No.	Qty	Name
1	604019	1	BEARING, SPINDLE
2	604218	1	CAST HOUSING
3	607274	1	SVC SHAFT



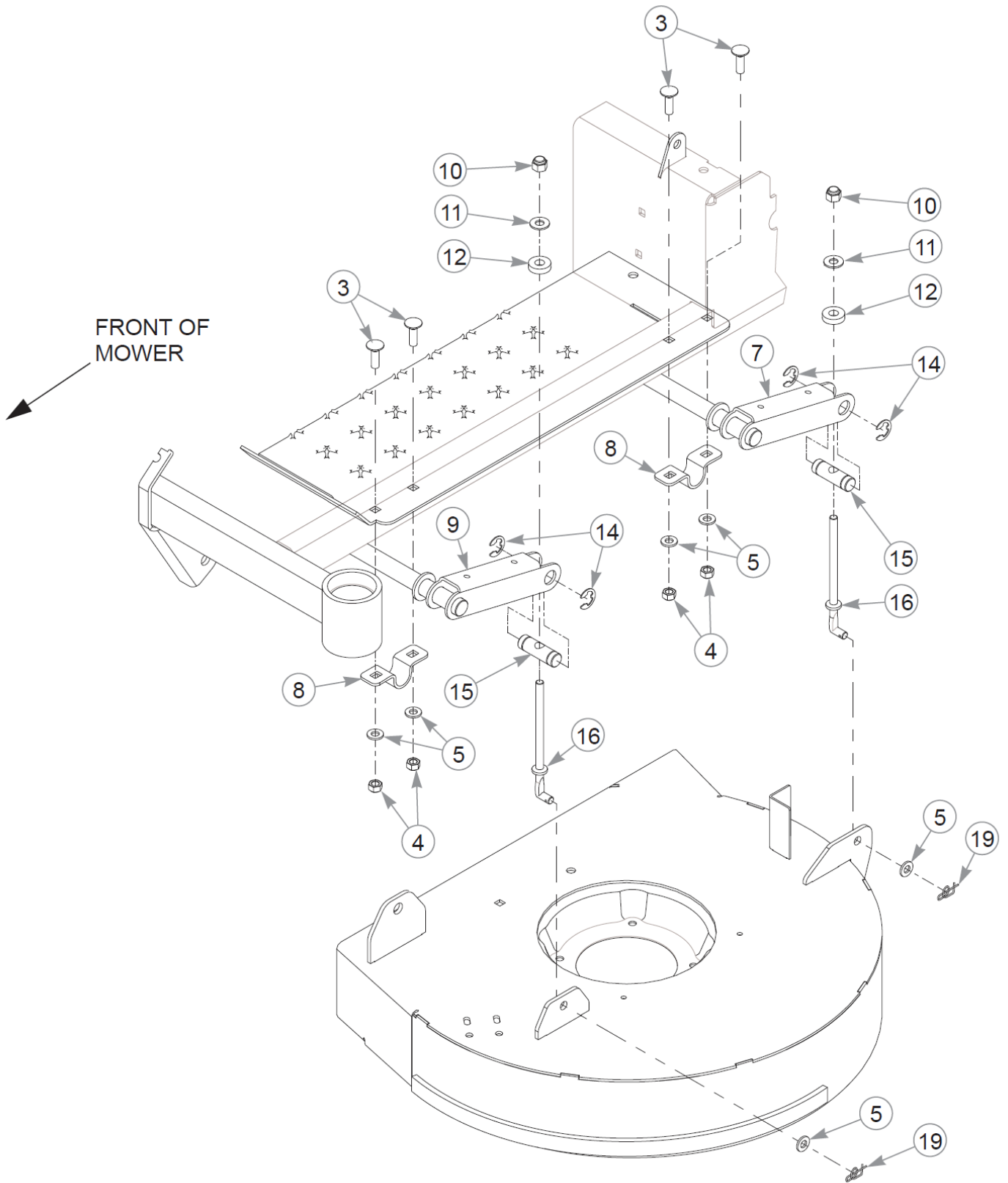
Item	Part No.	Qty	Name
1	604403	2	PULLEY COVER
2	604324	4	CS .250-20 X .75 HX FLG
3	607058	1	DECK BELT
4	607145	1	DISCHARGE CHUTE
5	607157	1	PIN, DISCHARGE CHUTE
6	607146	1	CHUTE SPRING
7	607093	1	CP, RUE RING .054 X .392
8	607051	4	CP, RUE RING .062 X .520
9	004168	4	FW .531x1.00x.090 ZN
10	607016	2	S/C TO 608583-4
Not Shown	608583-4	2	PULLER, DECK W/A
11	604251	1	NT .312-18 HXNL JAM G2ZN
12	768523	1	FW 0.343SAE
13	607262-4	1	PLATE, WEAR
14	083147	1	CB .312-18X .620 G5 ZN
15	607281	2	BLADE, 16.75"-M-F-CW
Not Shown	607281X	1	10PK BLADE, 16.75"-M-F-C
Not Shown	607311	2	BLADE, 16.75" MULCH-F-CW
Not Shown	607311X	1	10PK BLADE, 16.75" MULCH
16	602680	2	FW .453X1.12X.12 HRD ZN
17	754101	2	CS .437-20X1.250HXG5

Comments for Page: Deck Belt, Discharge Chute, Pulley Covers & Blades

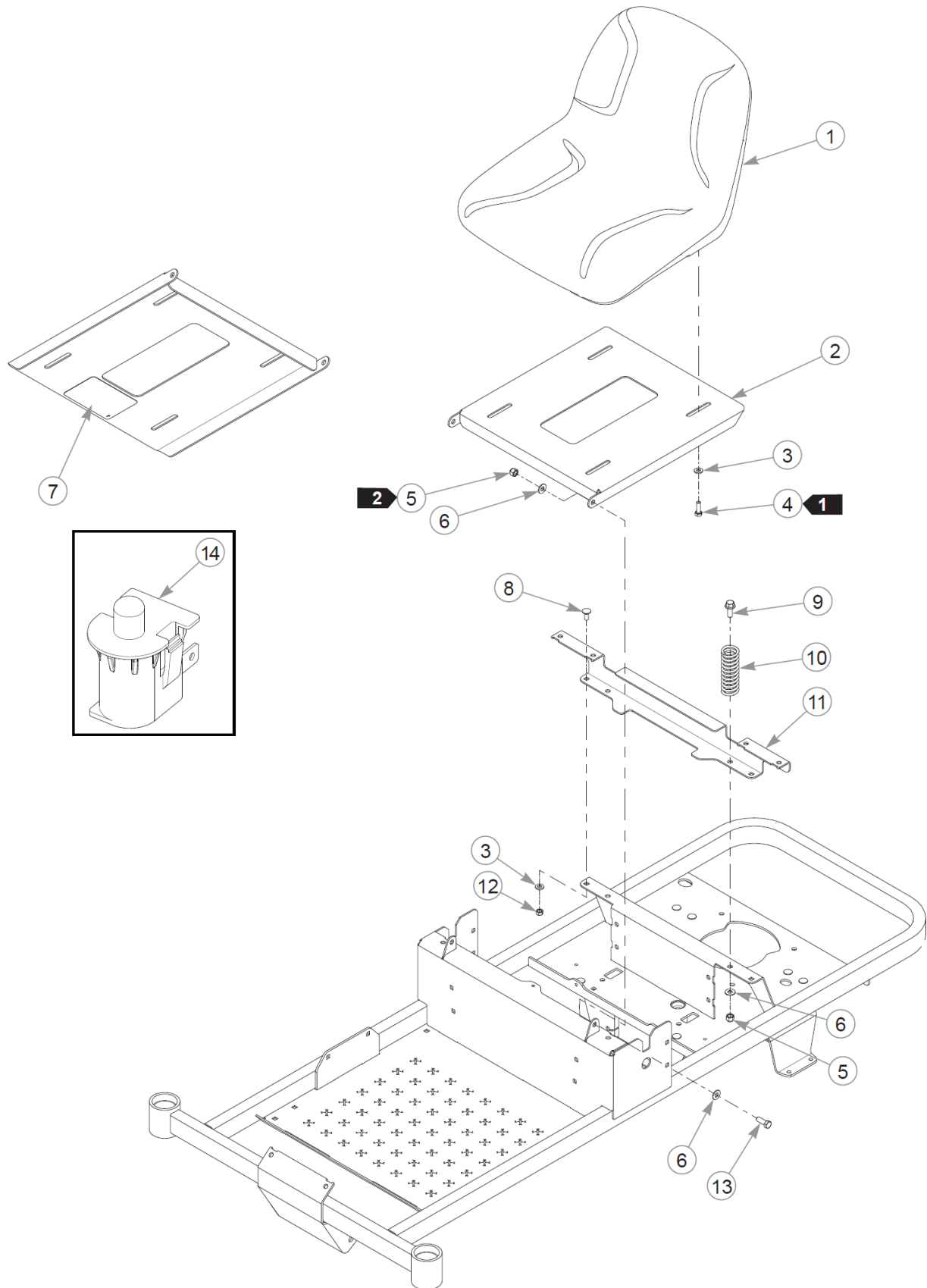
1. Torque to 48 ft-lbs.
2. Torque to 2–5 ft-lbs on these 2 self-tapping screws.



This page intentionally left blank



Item	Part No.	Qty	Name
1	601963	1	PIN, DECK HEIGHT STOP
2	124615-1	1	DECK LIFT BRACKET
3	037887	10	CB .312-18X 1.000 FUL ZN
4	058776	10	NT .312-18 NL G5
5	768523	14	FW 0.343SAE
6	124616-1	1	DECK LIFT BRACKET
7	124630-1	1	DECK LIFT W/A
8	124635-3	4	DECK LIFT STRAP
9	124629-1	1	DECK LIFT W/A
10	086660	6	NT .375-16 G8 NL
11	767954	6	FW 0.379X.82X.06 HD ZN
12	605114	4	FW .41X.94X.25 UHMW
13	025395	2	CB .375-16 X 1.00 G5 ZN
14	791673	8	CLIP E,.625x.480x.042 Z
15	118018	4	PIVOT, DECK LIFT
16	607017	4	HANGER, DECK
17	124614-4	1	DECK LIFT LINK
18	601839	2	PIVOT SPACER BUSHING
19	607093	4	CP, RUE RING .054 X .392



Seat

Item	Part No.	Qty	Name
1	607083	1	SEAT
2	554825	1	SVC, SEAT PAN
3	768523	6	FW 0.343SAE
4	036236	4	CS .312-18X1.000HXG5
5	086660	4	NT .375-16 G8 NL
6	767954	6	FW 0.379X.82X.06 HD ZN
7	601815	1	DECAL, BATTERY WARNINGS
8	016253	2	CB .312-18 X .75 FUL ZN
9	029751	2	CS .375-16X1.00 HXF G5ZN
10	793851	2	SPRING,COMP 1.25X4.00X.
11	124617-1	1	SEAT SUPPORT
12	058776	2	NT .312-18 NL G5
13	036244	2	CS .375-16X1.00 HX G5 ZN
14	606082	1	SVC, OPS

Comments for Page: Seat

1. Torque to 7 ft-lbs.
2. Do not torque; the seat pan and seat stop must pivot freely.
3. The seat pan includes the decal.

REPLACEMENT PARTS - QUICK LIST

Filters



Air Filter - Main



Blades



Standard Blade



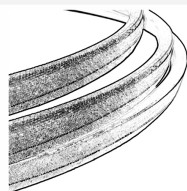
Mulch Blade



Belts



Deck Belt



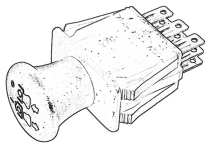
Drive Belt



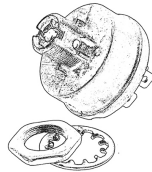
This page intentionally left blank

REPLACEMENT PARTS - QUICK LIST

Switches / Solenoid



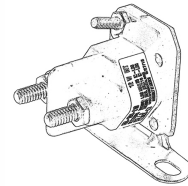
PTO



Ignition



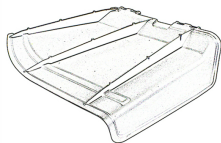
Seat



Solenoid



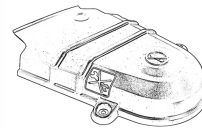
Deck Parts



Discharge Chute



Discharge Chute Spring



Pulley Cover



Deck Height Pin



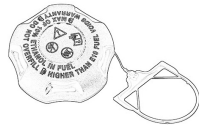
This page intentionally left blank

REPLACEMENT PARTS - QUICK LIST

Miscellaneous Parts



Key



Fuel Cap



Hustler Fluids



8 FL. OZ.

Fuel Stabilizer



QUART

Engine Oil



'QUICK LIST' Replacement Parts List

Item	Part No.	Qty	Name
1	607136	1	SVC, AIR CLEANER
2	607281	2	BLADE,16.75"-M-F-CW
3	607311	2	BLADE, 16.75" MULCH-F-CW
4	607058	1	DECK BELT
5	606997	1	DRIVE BELT
6	776476	1	SWITCH, PTO 6201-321
7	045898	1	IGNITION SWITCH
8	606082	1	SVC, OPS
9	606445	1	STARTER SOLENOID
10	607145	1	DISCHARGE CHUTE
11	607146	1	CHUTE SPRING
12	604403	2	PULLEY COVER
13	601963	1	PIN, DECK HEIGHT STOP
14	785808	1	KEY ASSEMBLY
15	607156	1	FUEL CAP, BAS M21
16	606531	1	FUEL STABILIZER, CASE
<p>Comments for Part Num. 606531</p> <p>EACH CASE CONTAINS 6 - 8 FL. OZ. BOTTLES</p>			
17	608388X	1	OIL, 20W-50 ENG SYN CASE
<p>Comments for Part Num. 608388X</p> <p>Always use the engine manufacturer recommended viscosity and API classification of oil.</p>			