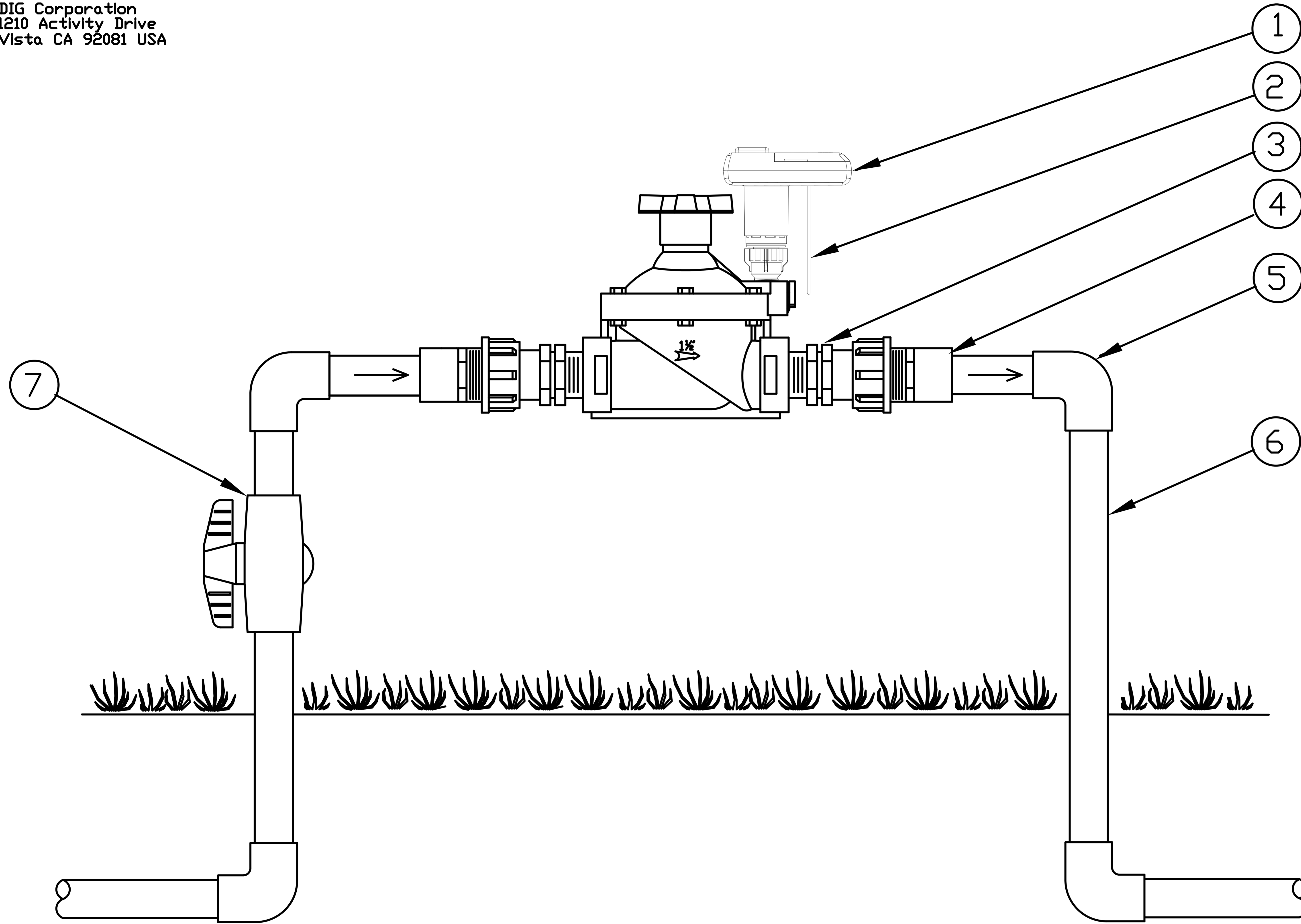




DIG Corporation  
1210 Activity Drive  
Vista CA 92081 USA



LEGEND

- ① SINGLE STATION SOLAR POWERED CONTROLLER WITH RAIN SENSOR CONNECTION AND INLINE VALVE (IP68) DIG MODEL# LEIT1 ILV-150 WITH 1 1/2" INLINE VALVE DIG MODEL# LEIT1 ILV-200 WITH 2" INLINE VALVE INCLUDING VALVE ADAPTER MODEL: 30-920
- ② RAIN SENSOR WIRE CONNECTION
- ③ SWIVEL FITTING DIG MODEL MODEL: 23-152 1.5" MODEL: 23-202 2"
- ④ PVC SCH 40 MALE ADAPTER
- ⑤ PVC SCH 40 90 DEGREE ELL
- ⑥ PVC VERTICAL LINE
- ⑦ BACK UP NPT PVC BALL VALVE

3

DIG'S SOLAR POWERED CONTROLLER SERIES LEIT1

TYPICAL LAYOUT DETAIL FOR 1 1/2" OR 2"

IRRIGATION DETAIL  
NOT TO SCALE