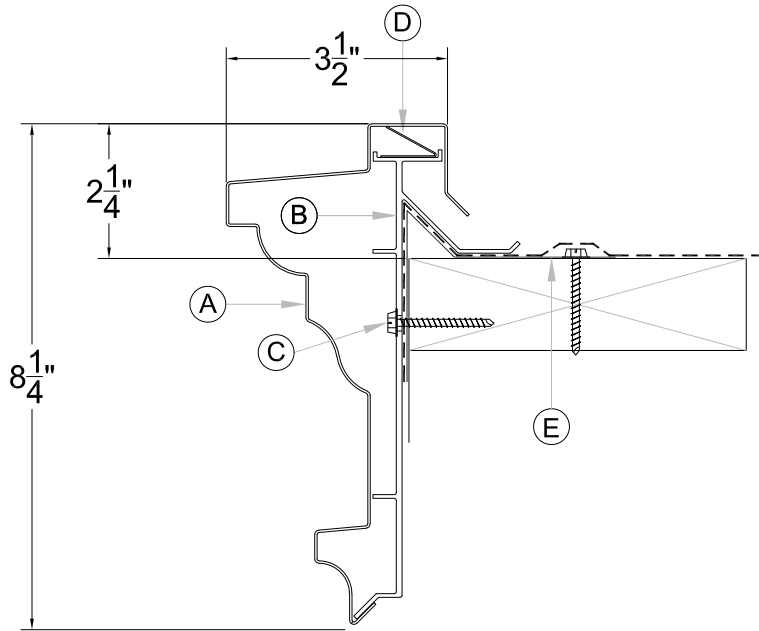




SUBMITTAL / DATA SHEET

Designer Series Press-Loc Gravel Stop
Crown Collection
8" Model PLGS.CC3-8



Legend:

- A: Snap-on Decorative Fascia, 10' lengths. Joint treatment consists of a 3/8" expansion reveal and 4" wide concealed splice plate.
- B: Extruded Aluminum Secure Bar, 10' Length
- C: #12 x 1.5" S.S. Wood Screws @ 12" centers
- D: Stainless Steel Tension Clips @ 24" centers
- E: Metal Edging by Installer

Material Options

| Metal | Coping |
|--------------|--------------------------|
| Aluminum | |
| 0.040 | <input type="checkbox"/> |
| 0.050 | <input type="checkbox"/> |
| 0.063 | <input type="checkbox"/> |
| 0.080 | <input type="checkbox"/> |
| 0.090 | <input type="checkbox"/> |
| 0.125 | |
| 0.1875 | |
| 0.250 | |
| Copper | |
| 16 oz | <input type="checkbox"/> |
| 20 oz | <input type="checkbox"/> |
| 32 oz | <input type="checkbox"/> |

Finish Options

| Finish | Coping |
|---------------------|--------------------------|
| EZ Mix Kynar | <input type="checkbox"/> |
| Custom Kynar | <input type="checkbox"/> |
| Anodized | <input type="checkbox"/> |
| Mill Finish | <input type="checkbox"/> |

Similar to the Standard Press-Loc Gravel Stop
Model PLGS-8.0 tested to meet
ANSI/SPRI/FM 4435/ES-1 and RE-2
Standard Requirements

Designer Series Press-Loc Gravel Stop, Model PLGS.CC3-8: Press-Loc is designed to accommodate the rigid performance criteria of today's advanced roofing systems. It doesn't matter if your room membrane is E.P.D.M., Thermoplastic, Modified Bitumen, or a Built-up Roof, Press-Loc fits them all. Press-Loc allows you to install your metal edging to be flashed in accordance with your membrane manufacturer's specifications. The Secure Bar profile fully encapsulates your membrane ensuring a watertight and leakproof edge. Press-Loc's unique and simple design make installation fast and economical, while giving you a leak-proof gravel stop edge that is extremely resistant to wind uplift.

(Other Materials are Available upon Request)

*(Default Selections are **BOLD**)*

Customer:

Project:

Address:

Location:

Phone / Fax:

Architect: