



Series D7 Pilot Devices

General Description H2

Pushbuttons

Non-Illuminated H4
Illuminated..... H12

Emergency Stop Operators

Non-Illuminated H20
Three Position H22
Twist-to-Release H24
Keyed H26
Illuminated..... H28
Three Position H32

Selector Switches

Non-illuminated H34
Illuminated..... H40
Keyed H44

Multi-function Pushbuttons

Quick Order Guide H48
Build Your Own H50

Other Pilot Devices

Selector/Jog Operator H52
Pilot Lights..... H54
Reset Operators..... H56
Toggle Switches..... H57
Potentiometer Operator..... H58

Monolithic Operators

Pushbuttons H59
Emergency Stop H60
Selector Switches..... H61
Pilot Lights..... H62

Enclosures & Accessories

E-Stop Pushbutton Stations H63
Pushbutton Enclosures and Enclosed Assemblies..... H64
Back of Panel & Components..... H66

Technical Information

Dimensions..... H85

**Pilot
Devices**

Series D7 Pilot Devices

The economical solution for high performance control, signaling and switching applications

Sprecher + Schuh's rugged D7 pilot devices offer maximum flexibility and a wide choice for all applications. This 22mm line is aesthetically appealing and modularly designed to make assembly and interchangeability easy. The D7 operators are available in two different body styles to meet every application need. Both operators exhibit a new lower profile stylish appearance while maintaining the rugged performance necessary for demanding environments.

Two operator types

D7P is a plastic operator with a captive black plastic front bezel. Constructed of high-grade thermoplastics the D7P is the corrosion resistant solution for harsh environments.

For super tough applications, the D7M has a die-cast zinc housing and mounting ring for rugged durability. Both are finished with corrosion resistant chrome plating. The D7M also features a captive shiny metal bezel for a polished appearance.

Less inventory, more choices

Sprecher + Schuh offers D7 push-buttons in a wide range of devices — from selector switches to multi-function pushbuttons. Their modular design keeps the number of required parts to a minimum, while offering multiple functions and a variety of style and color combinations.

Back-of-panel components can be combined with all front elements, making the D7 line extremely flexible. This approach reduces inventory, yet provides virtually any configuration you require.

Quick, easy installation

A standard anti-rotation tab keeps front elements from turning or falling off the control panel, making it possible for one person to install all D7 components even if the front and rear panel are not accessible at the same time. A central mounting ring allows



for quick installation and removal of all D7 operators. All back-of-panel components including contact blocks and power module elements snap-on and are readily accessible and interchangeable without removing the pilot device from the panel.

Tool-less mounting latch

The D7 “tool-less” mounting latch mates the front element with the contact blocks and other back-of-panel components. The mounting latch is available in a plastic and metal design. The latches are easily installed with a “click” and removed by pushing a rotating collar to the right. Quick, reliable and strong, it's the best pilot device mounting latch available in the industry.



Long electrical and mechanical life

Most D7 operators have a mechanical of ten million operations... five million contact blocks. Electrical life ranges from 500,000 cycles at 3A to ten million at 0.1A. The D7 line is also electronics compatible with self-cleaning contacts.

Environmental ratings

Front elements, including pushbuttons, mushroom operators and selector switches, are IP 66 protection against submersion, oil and dirt, making them reliable in the toughest industrial environments. Metal operators are Type 4/13 and Type 4/4X/13 for plastic operators.

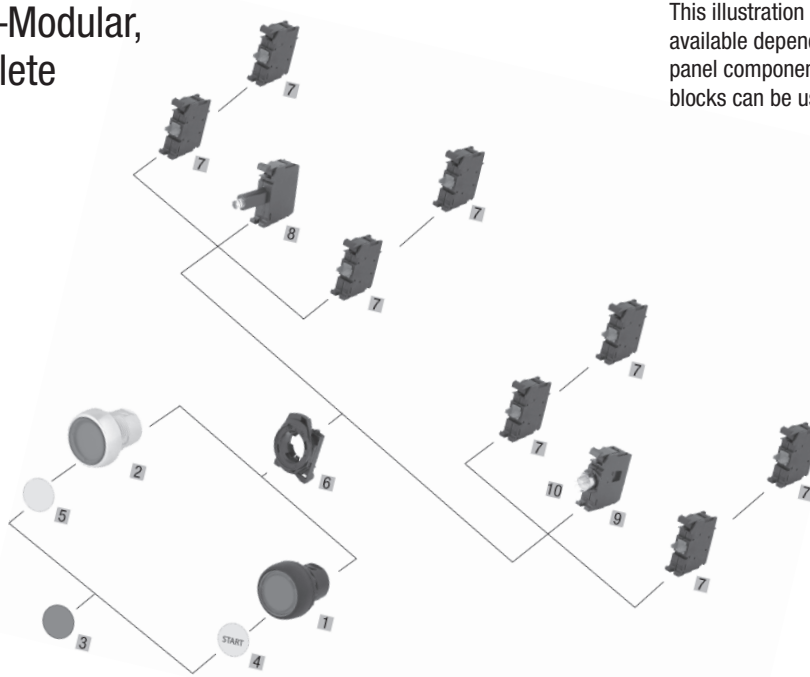


D7P – Plastic housing with a black plastic captive bezel.



D7M – Die-cast metal housing and locking ring with shiny metal captive bezel.

D7 Pilot Devices –Modular, flexible and complete



This illustration shows typical combinations available depending on the front and back-of-panel components chosen. Up to six contact blocks can be used on non-illuminated devices.

- 1 **D7P Operator** – Corrosion resistant plastic construction with black plastic bezel
- 2 **D7M Operator** – Metal construction with shiny metal bezel
- 3 **Colored Lenses and Color Caps** – Available in many colors

- 4/5 **Inscription Diffusers** – Diffusers and color caps available in many standard text and ISO symbol options, and foreign languages
- 6 **Tool-less Mounting Latch** – For snap-on contact blocks and power module elements
- 7 **Contact Blocks** – Five types available including NOEM, NCLB, and Low Voltage

- 8 **Power Modules, Integral LED** – Full voltage module requires only one slot
- 9 **Power Modules, Incandescent** – Full voltage module requires only one slot
- 10 **Bulbs** – Incandescent and neon bulbs that include the incandescent power module

Additional features and options

Heavy-Duty Ratings – The D7 line is UL 46E, NEMA A600 and Q600 listed. All components carry a 10 Amp continuous current rating, covering all industrial control needs.

All Major Approvals – D7 front elements are UL Recognized, while all D7 assemblies are UL Approved. The line is also approved by every major international agency making them ideal for export requirements.

Special Contact Blocks & Power Modules – Screwless terminals are available for latching and base mounted contacts blocks & Integral LED modules. A latch mounted screw type dual circuit contact block is available.

H-Bridge & Gold Plated Contacts– By doubling the available paths for current to pass through the contacts, the standard H-bridge design provides a cleaner current flow. Gold plated contacts quadruple the current paths for increased contact reliability in low voltage applications.

Molded Inscription Caps/Diffusers – Abrasion proof inscription caps/diffusers are offered in a two-color molded design for most common inscription text and symbols used in the industry.

Custom Printed Caps/Diffusers – Durable long lasting custom printed inscription caps/diffusers are offered in a wide variety of ISO symbols and text options, and withstand repeated use in the harshest environments.

Touch-Safe – Back of panel components are finger safe, with IP 20 protection.

Long Lasting Integral LED Assemblies – Our LED lamps last up to 11 years! They are conveniently offered as a complete unit for all illuminated operators which include the one-piece Integral LED Module. They come in three different colors: green, red and white.



Full Line of Accessories and Enclosures – A variety of metal and plastic enclosures are available for any application. Replacement components, legend plates and convenient accessories are available from stock, including rings for adapting 30mm holes to fit the 22mm D7 line.

Standard Pushbuttons, Flush, Non-Illuminated, Momentary (Complete Kits) ①

Contact Block(s) ②③	Plastic operator with plastic bezel ④⑤		Metal operator with metal bezel ④⑤	
	Catalog Number	Price	Catalog Number	Price
Oper. Only	D7P-F⬆▼	10.25	D7M-F⬆▼	12.35
1NO	D7P-F⬆▼PX10	29.95	D7M-F⬆▼PX10	32.05
1NC	D7P-F⬆▼PX01		D7M-F⬆▼PX01	
2NO	D7P-F⬆▼PX20	43.65	D7M-F⬆▼PX20	45.75
2NC	D7P-F⬆▼PX02		D7M-F⬆▼PX02	
1NO/1NC	D7P-F⬆▼PX11		D7M-F⬆▼PX11	
3NO	D7P-F⬆▼PX30	57.35	D7M-F⬆▼PX30	59.45
3NC	D7P-F⬆▼PX03		D7M-F⬆▼PX03	
2NO/1NC	D7P-F⬆▼PX21		D7M-F⬆▼PX21	
1NO/2NC	D7P-F⬆▼PX12		D7M-F⬆▼PX12	

Complete Kit Ordering Instructions

D7P –	F	★	▼	P	X10
Oper. Construction D7P - Plastic operator with plastic bezel (Type 4/4X/13, IP66) D7M - Metal operator with metal bezel (Type 4/13, IP66)	Operator Type F - Flush, momentary, non-illuminated <i>See Footnote ④</i> G - Guarded operator, momentary, non-illuminated	Color Cap 0 - Orange 1 - White 2 - Black 3 - Green 4 - Red 5 - Yellow 6 - Blue 8 - Gray 9 - No Cap (deduct .85)	Inscription ①⑤⑥ (Add \$3.45) <i>Omit this position for a blank color cap</i> Standard Molded Caps 01 - START 02 - STOP 05 - 0 06 - I 08 - → ⑦ 09 - FORWARD 10 - REVERSE 11 - R Custom Printed caps sold separately. See note ⑥.	Mounting Latch P - Plastic latch (D7P and D7M offered with plastic latch as standard) M - Metal latch Note: For metal latch add \$1.75	Contacts ②③ X10 - 1NO X01 - 1NC → X20 - 2NO X02 - 2NC X11 - 1NO/1NC X30 - 3NO X03 - 3NC X21 - 2NO/1NC X12 - 1NO/2NC <i>Add \$13.70 for each additional standard contact block</i>

→ Positive Opening per EN60947-5-1 (applies to all NC contact block styles)

Standard Molded Inscription Caps ⑤

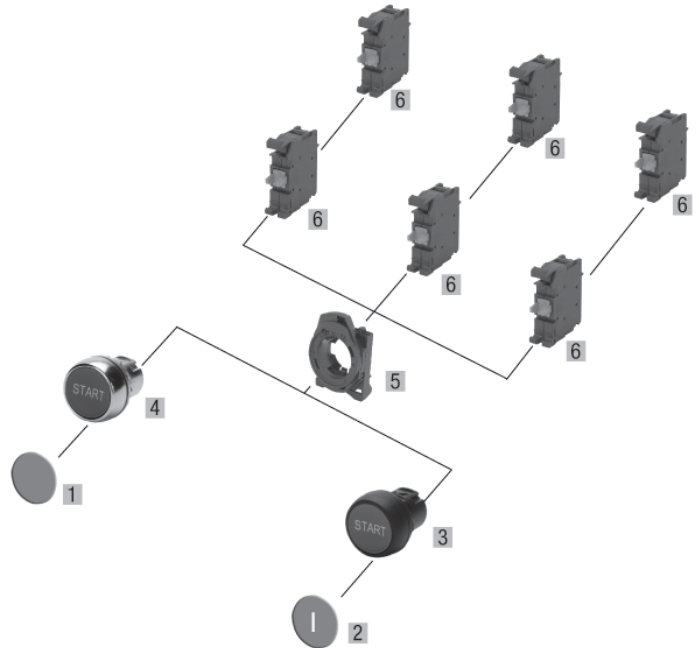
Molded Cap Selection Table ⑦⑧	
Color	Text Flush Caps
White	START, I, →, R, FORWARD, REVERSE
Black	→, R, FORWARD, REVERSE
Green	START, I, →, FORWARD, REVERSE
Red	STOP, O, →, FORWARD, REVERSE
Yellow	→, FORWARD, REVERSE
Blue	→, R, FORWARD, REVERSE

- ① Legend plates provided separately. See page H74 for pricing.
- ② Up to 6 contact blocks (3 across / 2 high) can be attached.
- ③ See page H72 for complete kit ordering information on other special contact blocks: Early make, late break, low voltage, and screwless contact blocks.
- ④ For guarded operator, substitute "G" for "F" in catalog number and add \$11.95 to list price. Ex: Change D7P-F⬆▼ to D7P-G⬆▼.

- ⑤ One blank color cap included. For standard molded inscription caps, add \$3.45.
- ⑥ Custom printed caps sold separately, see page H76. Order kits with "No Cap" and order the custom printed caps separately for customer installation
- ⑦ Rotation every 90° (→, ←, ↓, ↑). All legend caps supplied loose for customer installation.
- ⑧ Valid color cap/legend text codes. White and yellow caps have black text. All other caps have white text.

Standard Pushbuttons, Flush, Non-Illuminated, Momentary (Components) ①

Component		Catalog Number	Price Ea.	Pkg. Qty.	
01 Color caps momentary flush/guarded	Orange	D7-AF0	.85	10	
	White	D7-AF1			
	Black	D7-AF2			
	Green	D7-AF3			
	Red	D7-AF4			
	Yellow	D7-AF5			
	Blue	D7-AF6			
	Grey	D7-AF8			
02 Inscription color caps momentary ①②③	<i>Molded</i>	Green START	D7-AF301	4.30	10
		Green I	D7-AF306		
		Green →	D7-AF308		
		Red STOP	D7-AF402		
		Red O	D7-AF405		
		Red →	D7-AF408		
		White START	D7-AF101		
		White I	D7-AF106		
		White →	D7-AF108		
		White R	D7-AF111		
		Blue →	D7-AF608		
		Blue R	D7-AF611		
		Black →	D7-AF208		
		Black R	D7-AF211		
		Black FORWARD	D7-AF209		
		White FORWARD	D7-AF109		
	White REVERSE	D7-AF110			
	Green FORWARD	D7-AF309			
	Green REVERSE	D7-AF310			
	Red FORWARD	D7-AF409			
	Red REVERSE	D7-AF410			
	Yellow FORWARD	D7-AF509			
	Yellow REVERSE	D7-AF510			
	Blue FORWARD	D7-AF609			
	Blue REVERSE	D7-AF610			
	Black REVERSE	D7-AF210			
	Yellow →	D7-AF508			
	<i>Custom printed</i>	Green ON	D7-AF3CE166		
		Red OFF	D7-AF4CE163		
		Black AUTO	D7-AF2CE101		
		Black CLOSE	D7-AF2CE107		
		Black DOWN	D7-AF2CE110		
Black FAST		D7-AF2CE114			
Black HAND		D7-AF2CE126			
Black LEFT		D7-AF2CE145			
Black LOWER		D7-AF2CE152			
Black RAISE		D7-AF2CE182			
Black RIGHT		D7-AF2CE191			
Black RUN		D7-AF2CE193			
Black SETUP		D7-AF2CE198			
Black SLOW		D7-AF2CE201			
Black UP		D7-AF2CE223			



Component	Catalog Number	Price Ea.	Pkg. Qty.
03 Plastic operator with plastic bezel, momentary flush ④	D7P-F9	9.40	1
04 Metal operator with shiny metal front bezel momentary, flush ④	D7M-F9	11.50	1
05 Tool-less Mounting Latch (for snap-on contact blocks and power modules)	Plastic Latch	D7-ALP	6.00
	Metal Latch	D7-ALM	7.75
06 Contact blocks ⑤⑥	NO	D7-X10	13.70
	NC	D7-X01	
	NO, early make	D7-X10E	
	NC, late break	D7-X01L	
	NO, low voltage	D7-X10V	
NC, low voltage	D7-X01V	22.25	

- ① Legend plates provided separately. See page H74 for pricing.
- ② See page H76 for other custom printed ISO and text options (add \$4.30).
- ③ Rotation every 90° (→, ←, ↓, ↑)
- ④ For guarded operator, substitute "G" for "F" in catalog number and add \$11.95 to list price. Ex: Change D7P-F9 to D7P-G9.
- ⑤ Up to 6 contact blocks (3 across / 2 high) can be attached.
- ⑥ Screwless and dual circuit contact blocks available. See page H68 and H72 for ordering information.

Standard Pushbuttons, Flush, Non-Illuminated, Maintained (Complete Kits) ❶

Contact Block(s) ❷❸	Plastic operator with plastic bezel ❹❺		Metal operator with metal bezel ❹❺	
	Catalog Number	Price	Catalog Number	Price
Oper. Only	D7P-FA❶	16.00	D7M-FA❶	18.00
1NOEM	D7P-FA❶PX10E	35.70	D7M-FA❶PX10E	37.70
1NC	D7P-FA❶PX01		D7M-FA❶PX01	
2NOEM	D7P-FA❶PX20E	49.40	D7M-FA❶PX20E	51.40
2NC	D7P-FA❶PX02		D7M-FA❶PX02	
1NOEM/1NC	D7P-FA❶PX11E		D7M-FA❶PX11E	
3NOEM	D7P-FA❶PX30E	63.10	D7M-FA❶PX30E	65.10
3NC	D7P-FA❶PX03		D7M-FA❶PX03	
2NOEM/1NC	D7P-FA❶PX21E		D7M-FA❶PX21E	
1NOEM/2NC	D7P-FA❶PX12E		D7M-FA❶PX12E	

Important Note:
Maintained D7x-FA operators must use NOEM or NC contact blocks only.

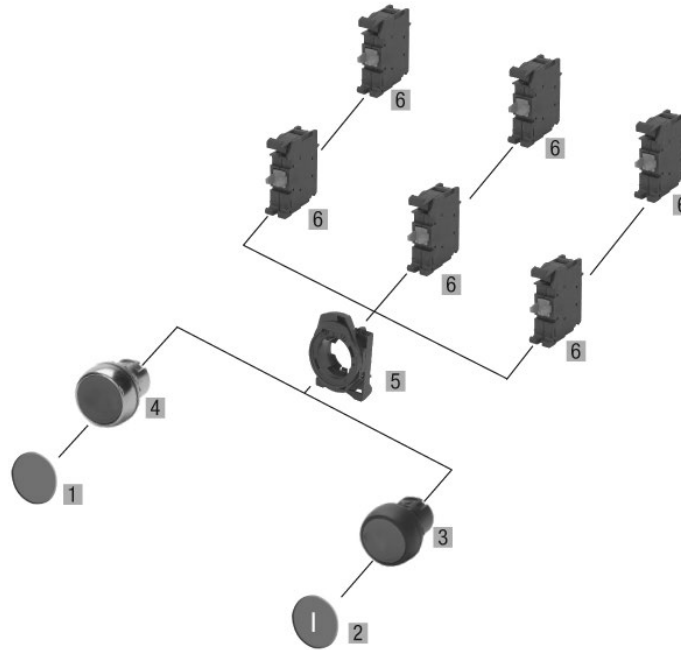
Complete Kit Ordering Instructions

D7P –	FA	★	P	X10E
Oper. Construction D7P - Plastic operator with plastic bezel (Type 4/4X/13, IP66) D7M - Metal operator with metal bezel (Type 4/13, IP66)	Operator Type FA - maintained, non-illuminated	Color Cap 0 - Orange 1 - White 2 - Black 3 - Green 4 - Red 5 - Yellow 6 - Blue 9 - No Cap (deduct .85) <i>Custom printed caps sold separately. See note ❹</i>	Mounting Latch P - Plastic latch (D7P and D7M offered with plastic latch as standard) M - Metal latch <i>Note: For metal latch add \$1.75</i>	Contacts ❷❸ X10E - 1NOEM X20E - 2NOEM X11E - 1NOEM/1NC X30E - 3NOEM X21E - 2NOEM/1NC X12E - 1NOEM/2NC X01 - 1NC → X02 - 2NC X03 - 1NC <i>Add \$13.70 for each additional standard contact block</i>

→ Positive Opening per EN60947-5-1 (applies to all NC contact block styles)

- ❶ Legend plates sold separately. See page H74 for pricing.
- ❷ Up to 6 contact blocks (3 across / 2 high) can be attached.
- ❸ See page H72 for complete kit ordering information on other special contact blocks.
- ❹ Custom printed caps sold separately, see page H76. Order kits with "No Cap" and order the custom printed caps separately for customer installation.

Standard Pushbuttons, Flush, Non-Illuminated, Maintained (Components) ❶





Component		Catalog Number	Price Ea.	Pkg. Qty.	
01 Color caps maintained, flush	Orange	D7-AFA0	.85	10	
	White	D7-AFA1			
	Black	D7-AFA2			
	Green	D7-AFA3			
	Red	D7-AFA4			
	Yellow	D7-AFA5			
	Blue	D7-AFA6			
02 Custom printed color caps maintained ❶❷❸	Green	ON	D7-AFA3CE166	4.30	1
	Red	OFF	D7-AFA4CE163		
	Black	AUTO	D7-AFA2CE101		
	Black	CLOSE	D7-AFA2CE107		
	Black	DOWN	D7-AFA2CE110		
	Black	FAST	D7-AFA2CE114		
	Black	HAND	D7-AFA2CE126		
	Black	LEFT	D7-AFA2CE145		
	Black	LOWER	D7-AFA2CE152		
	Black	RAISE	D7-AFA2CE182		
	Black	RIGHT	D7-AFA2CE191		
	Black	RUN	D7-AFA2CE193		
	Black	SETUP	D7-AFA2CE198		
	Black	SLOW	D7-AFA2CE201		
Black	UP	D7-AFA2CE223			

Component	Catalog Number	Price Ea.	Pkg. Qty.
03 Plastic operator with plastic bezel, maintained, flush	D7P-FA9	15.15	1
04 Metal operator with shiny metal front bezel maintained, flush	D7M-FA9	17.15	1
05 Tool-less Mounting Latch (for snap-on contact blocks and power modules)	Plastic Latch	D7-ALP	6.00
	Metal Latch	D7-ALM	7.75
06 Contact blocks ❹❺❻	NC	D7-X01	13.70
	NO, early make	D7-X10E	
	NC, low voltage	D7-X01V	

- ❶ Legend plates sold separately. See page H74 for pricing.
- ❷ See page H76 for other custom printed ISO and text options (add \$4.30).
- ❸ Rotation every 90° (→, ←, ↓, ↑)
- ❹ Up to 6 contact blocks (3 across / 2 high) can be attached.
- ❺ Screwless and dual circuit contact blocks available. See page H68 or H72 for ordering information.
- ❻ Maintained D7x-FA operators must use NOEM or NC contact blocks only.

Standard Pushbuttons, Extended, Momentary, Non-Illuminated (Complete Kits) ①

Contact Block(s) ②③	Plastic operator with plastic bezel		Metal operator with metal bezel	
				
	Momentary ④		Momentary ④	
	Catalog Number	Price	Catalog Number	Price
Oper. Only	D7P-E \star ▼	13.70	D7M-E \star ▼	15.75
1NO	D7P-E \star ▼PX10	33.40	D7M-E \star ▼PX10	35.45
1NC	D7P-E \star ▼PX01		D7M-E \star ▼PX01	
2NO	D7P-E \star ▼PX20	47.10	D7M-E \star ▼PX20	49.15
2NC	D7P-E \star ▼PX02		D7M-E \star ▼PX02	
1NO/1NC	D7P-E \star ▼PX11		D7M-E \star ▼PX11	
3NO	D7P-E \star ▼PX30	60.80	D7M-E \star ▼PX30	62.85
3NC	D7P-E \star ▼PX03		D7M-E \star ▼PX03	
2NO/1NC	D7P-E \star ▼PX21		D7M-E \star ▼PX21	
1NO/2NC	D7P-E \star ▼PX12		D7M-E \star ▼PX12	

Complete Kit Ordering Instructions

D7P –	E	★	▼	P	X10
Oper. Construction D7P - Plastic operator with plastic bezel (Type 4/4X/13, IP66) D7M - Metal operator with metal bezel (Type 4/13, IP66)	Operator Type E - Extended, momentary, non-illuminated	Color Cap 0 - Orange 1 - White 2 - Black 3 - Green 4 - Red 5 - Yellow 6 - Blue 9 - No Cap (deduct .85)	Inscription ①④⑤ (Add \$3.45) <i>Omit this position for a blank color cap</i> Standard Molded Caps 02 - STOP 05 - 0 08 - → 11 - R Custom printed caps sold separately, see note ⑥	Mounting Latch P - Plastic latch (D7P and D7M offered with plastic latch as standard) M - Metal latch Note: For metal latch add \$1.75	Contacts ②③ X10 - 1NO X01 - 1NC → X20 - 2NO X02 - 2NC X11 - 1NO/1NC X30 - 3NO X03 - 3NC X21 - 2NO/1NC X12 - 1NO/2NC <i>Add \$13.70 for each additional standard contact block</i>

→ Positive Opening per EN60947-5-1 (applies to all NC contact block styles)

Standard Molded Inscription Caps ⑥

Color	Text Extended Caps
White	→, R
Black	STOP, 0, →, R
Green	→
Red	STOP, 0, →
Yellow	→
Blue	→, R

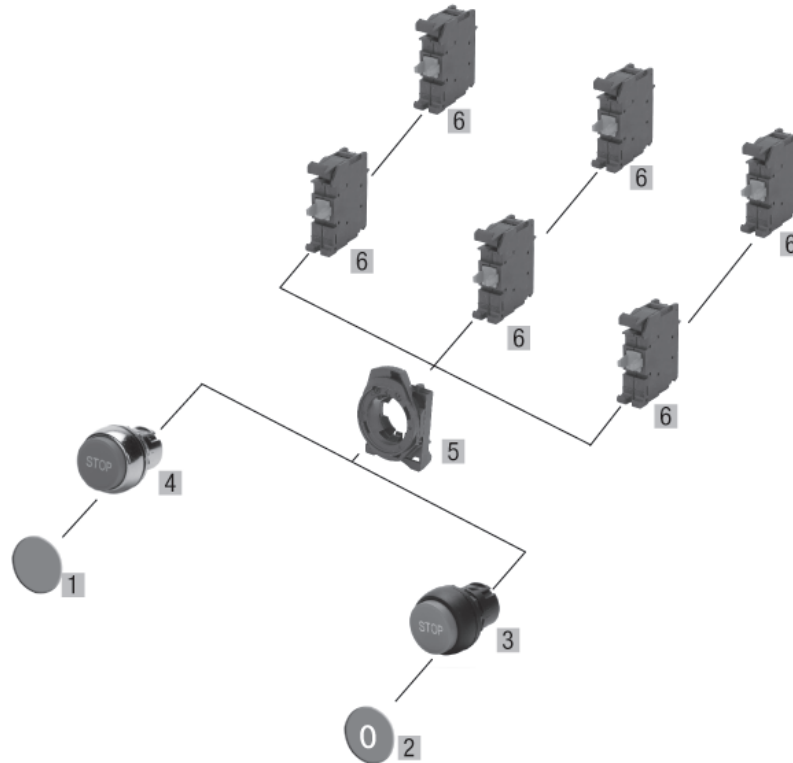
NEC CODE TIP:

The D7P-E...and D7M-E...meets NFPA-79, 10.2.1 which states pushbutton actuators used to initiate a stop function shall be of the extended operator or mushroom-head type

- ① Legend plates sold separately. See page H74 for pricing.
- ② Up to 6 contact blocks (3 across / 2 high) can be attached.
- ③ See page H72 for complete kit ordering information on other special contact blocks: Early make, all legend caps supplied loose for customer installation, late break, low voltage, and screwless contact blocks.

- ④ One blank color cap included. For standard molded inscription cap, add \$3.45. All legend caps supplied loose for customer installation.
- ⑤ Custom printed caps sold separately, see page H76. Order kits with "No Cap" and order the custom printed caps separately for customer installation.
- ⑥ Valid color cap/legend text codes. White and yellow caps have black text. All other caps have white text.

Standard Pushbuttons, Extended, Momentary, Non-Illuminated (Components) ❶



Component		Catalog Number	Price Ea.	Pkg. Qty.
01 Color caps	Orange	D7-AE0	.85	10
	White	D7-AE1		
	Black	D7-AE2		
	Green	D7-AE3		
	Red	D7-AE4		
	Yellow	D7-AE5		
	Blue	D7-AE6		
02 Inscription color caps ❶❷	Green →	D7-AE308	4.30	10
	Red STOP	D7-AE402		
	Red 0	D7-AE405		
	Red →	D7-AE408		
	White →	D7-AE108		
	White R	D7-AE111		
	Blue →	D7-AE608		
	Blue R	D7-AE611		
	Black STOP	D7-AE202		
	Black 0	D7-AE205		
	Black →	D7-AE208		
	Black R	D7-AE211		
	Black →	D7-AE211		
	Yellow →	D7-AE508		

Component	Catalog Number	Price Ea.	Pkg. Qty.	
03 Plastic operator with plastic bezel, momentary, flush	D7P-E9	12.85	1	
04 Metal operator with shiny metal bezel, momentary, flush	D7M-E9	14.90	1	
05 Tool-less Mounting Latch (for snap-on contact blocks and power module)	Plastic Latch	D7-ALP	6.00	
	Metal Latch	D7-ALM	7.74	
06 Contact blocks ❸❹	NO	D7-X10	13.70	
	NC	D7-X01		
	NO, early make	D7-X10E		
	NC, late break	D7-X01L		
	NO, low voltage	D7-X10V		22.25
	NC, low voltage	D7-X01V		

- ❶ Legend plates sold separately. See page H74 for pricing.
- ❷ See page H76 for other custom printed ISO and text options (add \$4.30).
- ❸ Up to 6 contact blocks (3 across / 2 high) can be attached.
- ❹ Screwless and dual circuit contact blocks available. See page H68 or H72 for ordering information.

Standard Pushbuttons, Mushroom, Momentary, Non-Illuminated (Complete Kits) ③

Contact Block(s) ①②	Plastic operator with plastic bezel				Metal operator with metal bezel			
	40mm Mushroom ③		60mm Mushroom ③		40mm Mushroom ③		60mm Mushroom ③	
	Catalog Number	Price	Catalog Number	Price	Catalog Number	Price	Catalog Number	Price
Oper. Only	D7P-MM4 ③	23.00	D7P-MM6 ③	30.00	D7M-MM4 ③	28.00	D7M-MM6 ③	35.00
1NO	D7P-MM4 ③PX10	42.70	D7P-MM6 ③PX10	49.70	D7M-MM4 ③PX10	47.70	D7M-MM6 ③PX10	54.70
1NC	D7P-MM4 ③PX01		D7P-MM6 ③PX01		D7M-MM4 ③PX01		D7M-MM6 ③PX01	
2NO	D7P-MM4 ③PX20	56.40	D7P-MM6 ③PX20	63.40	D7M-MM4 ③PX20	61.40	D7M-MM6 ③PX20	68.40
2NC	D7P-MM4 ③PX02		D7P-MM6 ③PX02		D7M-MM4 ③PX02		D7M-MM6 ③PX02	
1NO/1NC	D7P-MM4 ③PX11		D7P-MM6 ③PX11		D7M-MM4 ③PX11		D7M-MM6 ③PX11	
3NO	D7P-MM4 ③PX30	70.10	D7P-MM6 ③PX30	77.10	D7M-MM4 ③PX30	75.10	D7M-MM6 ③PX30	82.10
3NC	D7P-MM4 ③PX03		D7P-MM6 ③PX03		D7M-MM4 ③PX03		D7M-MM6 ③PX03	
2NO/1NC	D7P-MM4 ③PX21		D7P-MM6 ③PX21		D7M-MM4 ③PX21		D7M-MM6 ③PX21	
1NO/2NC	D7P-MM4 ③PX12		D7P-MM6 ③PX12		D7M-MM4 ③PX12		D7M-MM6 ③PX12	

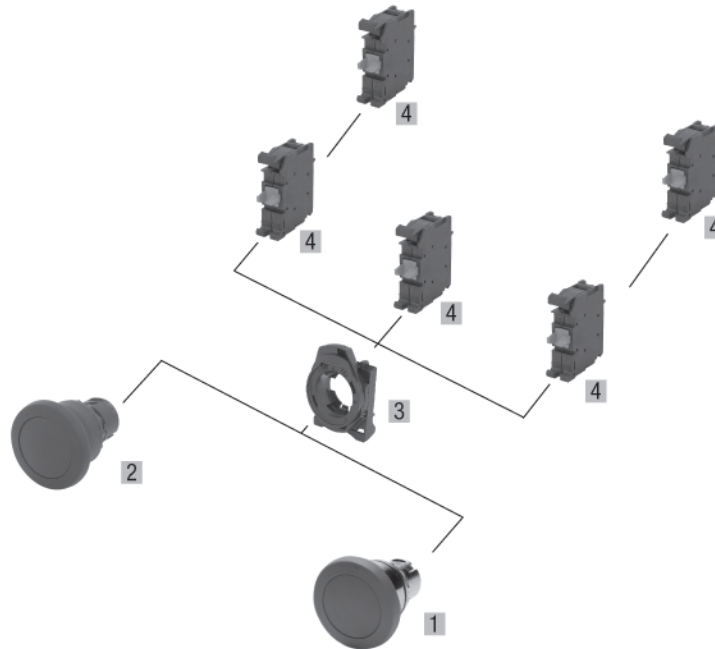
Complete Kit Ordering Instructions

D7P –	MM4	★	P	X10
Oper. Construction D7P - Plastic operator with plastic bezel (Type 4/4X/13, IP65) D7M - Metal operator with metal bezel (Type 4/13, IP65)	Operator Type MM4 - Mushroom, 40mm, momentary, non-illuminated MM6 - Mushroom, 60mm, momentary, non-illuminated	Color Cap ③ 2 - Black 3 - Green 4 - Red 5 - Yellow 6 - Blue	Mounting Latch P - Plastic latch (D7P and D7M offered with plastic latch as standard) M - Metal latch Note: For metal latch add \$1.75	Contacts ①② X10 - 1NO X01 - 1NC (→) X20 - 2NO X02 - 2NC X11 - 1NO/1NC X30 - 3NO X03 - 3NC X21 - 2NO/1NC X12 - 1NO/2NC Add \$13.70 for each additional standard contact block

(→) Positive Opening per EN60947-5-1 (applies to all NC contact block styles)

- ① Up to 6 contact blocks (3 across / 2 high) can be attached.
- ② See page H72 for complete kit ordering information on other special contact blocks: Early make, late break, low voltage, and screwless contact blocks.
- ③ Not available with inscriptions. Order inscription ring or legend plate for identification. See pages H67 and H74 for pricing.

Standard Pushbuttons, Mushroom, Momentary, Non-Illuminated (Components) ❶



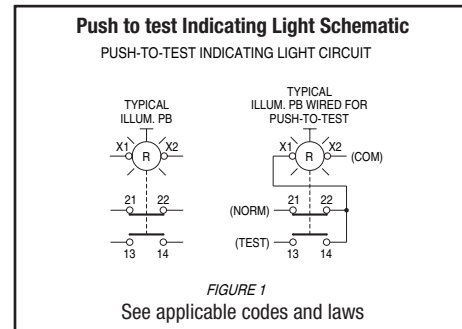
Component	Catalog Number	Price Ea.	Pkg. Qty.
01 Plastic operator with plastic bezel, momentary, 40mm mushroom ❶ Black Green Red Yellow Blue Plastic operator with plastic bezel, momentary, 60mm mushroom ❶ Black Green Red Yellow Blue	D7P-MM42	23.00	1
	D7P-MM43		
	D7P-MM44		
	D7P-MM45		
	D7P-MM46		
	D7P-MM62	30.00	1
	D7P-MM63		
	D7P-MM64		
	D7P-MM65		
	D7P-MM66		
02 Metal operator with metal bezel, momentary, 40mm mushroom ❶ Black Green Red Yellow Blue Metal operator with metal bezel, momentary, 60mm mushroom ❶ Black Green Red Yellow Blue	D7M-MM42	28.00	1
	D7M-MM43		
	D7M-MM44		
	D7M-MM45		
	D7M-MM46		
	D7M-MM62	35.00	1
	D7M-MM63		
	D7M-MM64		
	D7M-MM65		
	D7M-MM66		

Component	Catalog Number	Price Ea.	Pkg. Qty.
03 Tool-less Mounting Latch (for snap-on contact blocks and power modules) Plastic Latch Metal Latch	D7-ALP	6.00	10
	D7-ALM	7.75	
04 Contact blocks ❷❸ NO NC NO, early make NC, late break NO, low voltage NC, low voltage	D7-X10	13.70	10
	D7-X01		
	D7-X10E		
	D7-X01L		
	D7-X10V	22.25	
D7-X01V			

- ❶ Not available with inscriptions. Order inscription ring or legend plate for identification. See pages H67 and H74 for pricing.
- ❷ Up to 6 contact blocks (3 across / 2 high) can be attached.
- ❸ Screwless and dual circuit contact blocks available. See page H72 for ordering information.


Standard Pushbuttons, Flush, Illuminated, Momentary (Complete Kits) ①

Contact Block(s) ③④	Plastic operator with plastic bezel		Metal operator with metal bezel	
				
	Momentary ②⑥		Momentary ②⑥	
	Catalog Number	Price	Catalog Number	Price
Oper. Only	D7P-LF②	18.50	D7M-LF②	20.50
Incandescent Module (Bulb Included)				
1NO	D7P-LF②P♣X10	77.55	D7M-LF②P♣X10	79.55
1NC	D7P-LF②P♣X01		D7M-LF②P♣X01	
2NO	D7P-LF②P♣X20	91.25	D7M-LF②P♣X20	93.25
2NC	D7P-LF②P♣X02		D7M-LF②P♣X02	
1NO/1NC	D7P-LF②P♣X11		D7M-LF②P♣X11	
Integral LED Module				
1NO	D7P-LF②P♣X10	77.55	D7M-LF②P♣X10	79.55
1NC	D7P-LF②P♣X01		D7M-LF②P♣X01	
2NO	D7P-LF②P♣X20	91.25	D7M-LF②P♣X20	93.25
2NC	D7P-LF②P♣X02		D7M-LF②P♣X02	
1NO/1NC	D7P-LF②P♣X11		D7M-LF②P♣X11	



H
D7 Pilot Devices

Complete Kit Ordering Instructions

D7P –	LF	★	P	♣	X10
Oper. Construction D7P - Plastic operator with plastic bezel (Type 4/4X/13, IP66) D7M - Metal operator with metal bezel (Type 4/13, IP66)	Operator Type LF - Flush, momentary, illuminated See Footnote ② LG - Guarded operator, momentary, illuminated 	Lens Color 0 - Amber 3 - Green 4 - Red 5 - Yellow 6 - Blue 7 - Clear 9 - No lens (deduct .85) Custom printed diffusers sold separately, see Note 5.	Mounting Latch P - Plastic latch (D7P and D7M offered with plastic latch as standard) M - Metal latch Note: For metal latch add \$1.75	Power Module <i>Incandescent module</i> D0 - no bulb (deduct \$6.85) D1 - 6V, bulb D2 - 12V, bulb D3 - 24V, bulb D4 - 48V, bulb D5 - 120V, bulb D7 - 240V, neon <i>Integral LED module</i> N3x, 24V AC/DC N5x, 120V AC N7x, 240V AC	Contacts ③④ X10 - 1NO X01 - 1NC X20 - 2NO X02 - 2NC X11 - 1NO/1NC Add \$13.70 for each additional standard contact block

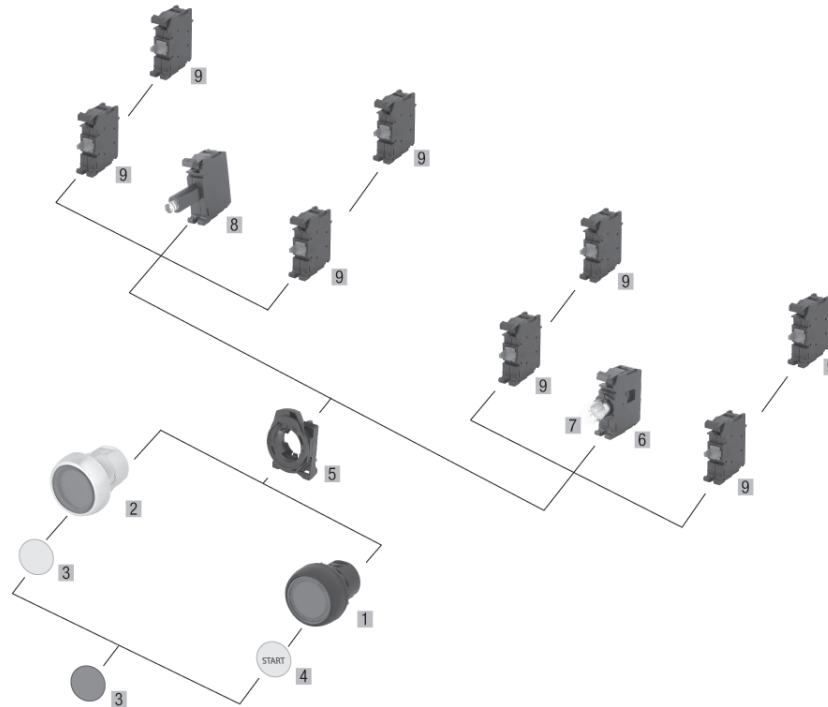
LED Module Code Selection	
For lens color...	replace "x" with...
Green	G
Red	R
Amber	W
Yellow	
Blue	
Clear	

➡ Positive Opening per EN60947-5-1 (applies to all NC contact block styles)

- ① Legend plates sold separately. See page H74 for pricing.
- ② For guarded operator, substitute "G" for "F" in catalog number and add \$11.95 to list price. Ex: Change D7P-LF② to D7P-LG②.
- ③ Up to 4 contact blocks can be attached.
- ④ See page H72 for complete kit ordering information on other special contact blocks and power modules.

- ⑤ One blank inscription diffuser included. For custom printed diffuser, order operator with applicable lens cap color plus custom printed diffuser on page H76, sold separately.

Standard Pushbuttons, Flush, Illuminated, Momentary (Components) ①



Component	Catalog Number	Price Ea.	Pkg. Qty.
01 Illuminated plastic operator with plastic bezel, momentary, flush ②	D7P-LF9	17.65	1
02 Illuminated metal operator with shiny metal bezel, momentary, flush ②	D7M-LF9	19.65	1
03 Lens Cap (includes diffuser)	Amber Green Red Yellow Blue Clear	D7-ALF0 D7-ALF3 D7-ALF4 D7-ALF5 D7-ALF6 D7-ALF7	.85 10
04 Custom printed Inscription diffusers ①⑥	AUTO CLOSE DOWN FAULT FAST FORWARD HAND HIGH LOW OFF ON OPEN REVERSE RUN SLOW START STOP UP	D7-AD2CE101 D7-AD2CE107 D7-AD2CE110 D7-AD2CE113 D7-AD2CE114 D7-AD2CE120 D7-AD2CE126 D7-AD2CE129 D7-AD2CE148 D7-AD2CE163 D7-AD2CE166 D7-AD2CE170 D7-AD2CE188 D7-AD2CE193 D7-AD2CE201 D7-AD2CE208 D7-AD2CE212 D7-AD2CE223	4.30 1

Component	Catalog Number	Price Ea.	Pkg. Qty.
05 Tool-less Mounting Latch (for snap-on contact blocks and power modules)	Plastic Latch Metal Latch	D7-ALP D7-ALM	6.00 7.75 10
06 Power Module, Incandescent	D7-D0C	32.50	10
07 Lamps, Incandescent	6V AC/DC 12V AC/DC 24V AC/DC 48V AC/DC 130V AC/DC	D7-N65 D7-N141 D7-N157 D7-N48 D7-N130	6.85 10
07 Lamps, Neon	240V AC	D7-N240	6.85 10
08 Power Module, Integral LED ④⑥	24V AC/DC 120V AC 240V AC	D7-N3x D7-N5x D7-N7x	39.35 10
09 Contact blocks ④④	NO NC NO, early make NC, late break NO, low voltage NC, low voltage	D7-X10 D7-X01 D7-X10E D7-X01L D7-X10V D7-X01V	13.70 10 22.25

- ① Legend plates sold separately. See page H74 for pricing.
- ② For guarded operator, substitute "G" for "F" in catalog number and add \$11.95 to list price. Ex: Change D7P-LF9 to D7P-LG9.
- ③ Up to 4 contact blocks can be attached.
- ④ Screwless and dual circuit contact blocks available. See Accessories page H72 for ordering information.

- ⑤ See page H76 for other custom printed ISO and text options.
- ⑥ To complete the catalog no., replace the "x" with one of the codes on the previous page.

Standard Pushbuttons, Flush, Illuminated, Maintained (Complete Kits) ①②

Contact Block(s) ②③	Plastic operator with plastic bezel		Metal operator with metal bezel	
	Maintained ④		Maintained ④	
	Catalog Number	Price	Catalog Number	Price
Oper. Only	D7P-LFA④	28.50	D7M-LFA④	30.50
Integral LED Module				
1NOEM	D7P-LFA④P♣X10E	87.55	D7M-LFA④P♣X10E	89.55
1NC	D7P-LFA④P♣X01		D7M-LFA④P♣X01	
2NOEM	D7P-LFA④P♣X20E	101.25	D7M-LFA④P♣X20E	103.25
2NC	D7P-LFA④P♣X02		D7M-LFA④P♣X02	
1NOEM/1NC	D7P-LFA④P♣X11E		D7M-LFA④P♣X11E	

Important Note for maintained operators:

- D7x-LFA operator must be used with NOEM or NC contacts only.
- LED module required for illumination, cannot use incandescent module.

Complete Kit Ordering Instructions

D7P –	LFA	★	P	♣	X10E
Oper. Construction D7P - Plastic operator with plastic bezel (Type 4/4X/13, IP66) D7M - Metal operator with metal bezel (Type 4/13, IP66)	Operator Type LFA - Flush, maintained, illuminated	Lens Color 0 - Amber 3 - Green 4 - Red 5 - Yellow 6 - Blue 7 - Clear 9 - No lens (deduct .85) Custom printed diffusers sold separately, see Note ④	Mounting Latch P - Plastic latch (D7P and D7M offered with plastic latch as standard) M - Metal latch Note: For metal latch add \$1.75	Power Module Integral LED module N3x, 24V AC/DC N5x, 120V AC N7x, 240V AC	Contacts ②③ X10E - 1NOEM X20E - 2NOEM X11E - 1NOEM/1NC X01 - 1NC X02 - 2NC Add \$13.70 for each additional standard contact block

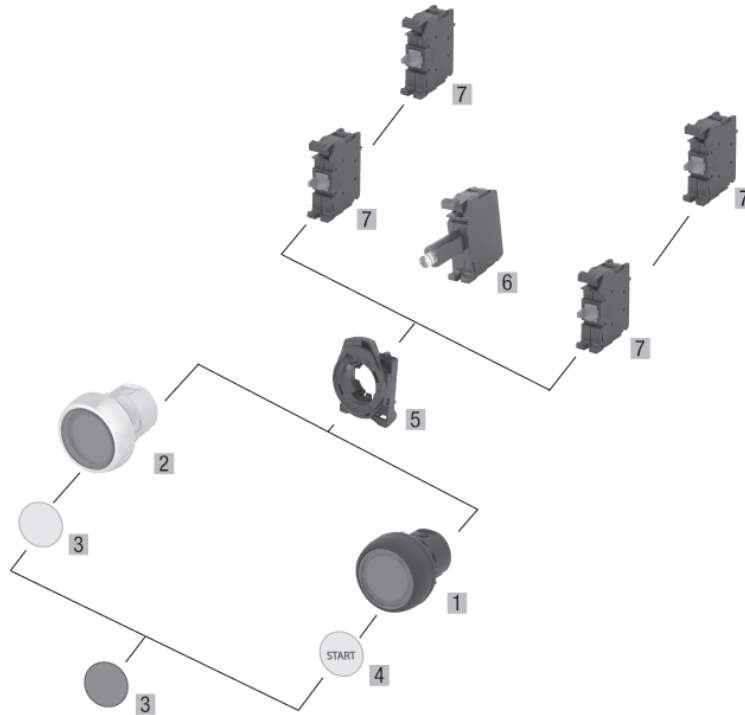
LED Module Code Selection	
For lens color...	replace "x" with...
Green	G
Red	R
Amber Yellow Blue Clear	W

↪ Positive Opening per EN60947-5-1 (applies to all NC contact block styles)

- ① Legend plates sold separately. See page H74 for pricing.
- ② Up to 4 contact blocks can be attached.
- ③ See page H72 for complete kit ordering information on other special contact blocks and power modules
- ④ One blank inscription diffuser included. For custom printed diffuser, order operator with applicable lens cap color plus custom printed diffuser on page H76, sold separately.

- ⑤ D7x-LFA operator must be used with NOEM or NC contacts only. LED module required for illumination, cannot use incandescent module.

Standard Pushbuttons, Flush, Illuminated, Maintained (Components) ❶



Component	Catalog Number	Price Ea.	Pkg. Qty.
01 Illuminated plastic operator with plastic bezel, maintained, flush ❷❸	D7P-LFA9	27.65	1
02 Illuminated metal operator with shiny metal bezel, maintained, flush ❷❸	D7M-LFA9	29.65	1
03 Lens Cap (includes diffuser)	Amber D7-ALF0 Green D7-ALF3 Red D7-ALF4 Yellow D7-ALF5 Blue D7-ALF6 Clear D7-ALF7	.85	10
04 Custom printed Inscription diffusers ❹	AUTO D7-AD2CE101 CLOSE D7-AD2CE107 DOWN D7-AD2CE110 FAULT D7-AD2CE113 FAST D7-AD2CE114 FORWARD D7-AD2CE120 HAND D7-AD2CE126 HIGH D7-AD2CE129 LOW D7-AD2CE148 OFF D7-AD2CE163 ON D7-AD2CE166 OPEN D7-AD2CE170 REVERSE D7-AD2CE188 RUN D7-AD2CE193 SLOW D7-AD2CE201 START D7-AD2CE208 STOP D7-AD2CE212 UP D7-AD2CE223	4.30	1

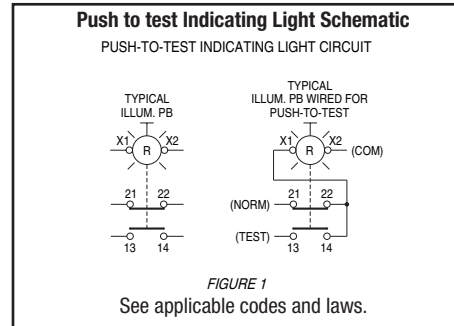
Component	Catalog Number	Price Ea.	Pkg. Qty.
05 Tool-less Mounting Latch (for snap-on contact blocks and power modules)			
Plastic Latch	D7-ALP	6.00	10
Metal Latch	D7-ALM	7.75	
06 Power Module, Integral LED ❸❺❻			
24V AC/DC	D7-N3x	39.35	10
120V AC	D7-N5x		
240V AC	D7-N7x		
07 Contact blocks ❷❸❹			
NC	D7-X01	13.70	10
NO, early make	D7-X10E		
NC, low voltage	D7-X01V	22.25	

- ❶ Legend plates sold separately. See page H74 for pricing.
- ❷ Up to 4 contact blocks can be attached.
- ❸ Screwless and dual circuit contact blocks available. See Accessories page H68 or H72 for ordering information.
- ❹ See page H76 for other custom printed ISO and text options.

- ❺ To complete the catalog no., replace the "x" with one of the codes on the previous page.
- ❻ D7x-LFA operator must be used with NOEM or NC contacts only. LED module required for illumination, cannot use incandescent module.

Standard Pushbuttons, Extended, Illuminated (Complete Kits) ①

Contact Block(s) ②③	Plastic operator with plastic bezel		Metal operator with metal bezel	
	Momentary ④		Momentary ④	
	Catalog Number	Price	Catalog Number	Price
Oper. Only	D7P-LE	22.00	D7M-LE	24.00
Incandescent Module (Bulb Included)				
1NO	D7P-LEPAX10	81.05	D7M-LEPAX10	83.05
1NC	D7P-LEPAX01		D7M-LEPAX01	
2NO	D7P-LEPAX20	94.75	D7M-LEPAX20	96.75
2NC	D7P-LEPAX02		D7M-LEPAX02	
1NO/1NC	D7P-LEPAX11		D7M-LEPAX11	
Integral LED Module				
1NO	D7P-LEPAX10	81.05	D7M-LEPAX10	83.05
1NC	D7P-LEPAX01		D7M-LEPAX01	
2NO	D7P-LEPAX20	94.75	D7M-LEPAX20	96.75
2NC	D7P-LEPAX02		D7M-LEPAX02	
1NO/1NC	D7P-LEPAX11		D7M-LEPAX11	



Complete Kit Ordering Instructions

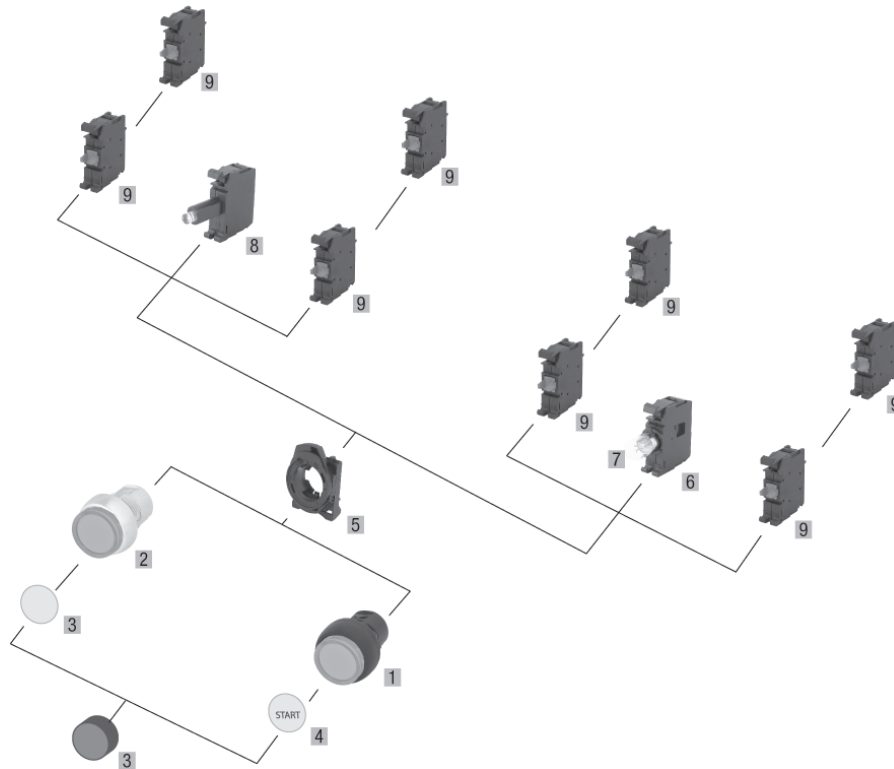
D7P –	LE	★	P	♣	X10
Oper. Construction D7P - Plastic operator with plastic bezel (Type 4/4X/13, IP66) D7M - Metal operator with metal bezel (Type 4/13, IP66)	Operator Type LE - Extended, momentary, illuminated	Lens Color 0 - Amber 3 - Green 4 - Red 5 - Yellow 6 - Blue 7 - Clear 9 - No Lens (deduct .85) Custom printed diffusers sold separately, see Note ④	Mounting Latch P - Plastic latch (D7P and D7M offered with plastic latch as standard) M - Metal latch Note: For metal latch add \$1.75	Power Module <i>Incandescent module</i> D0 - no bulb (deduct \$6.85) D1 - 6V, bulb D2 - 12V, bulb D3 - 24V, bulb D4 - 48V, bulb D5 - 120V, bulb D7 - 240V, neon <i>Integral LED module</i> N3x, 24V AC/DC N5x, 120V AC N7x, 240V AC	Contacts ②③ X10 - 1NO X01 - 1NC X20 - 2NO X02 - 2NC X11 - 1NO/1NC Add \$13.70 for each additional standard contact block

LED Module Code Selection	
For lens color...	replace "x" with...
Green	G
Red	R
Amber Yellow Blue Clear	W

⊕ Positive Opening per EN60947-5-1 (applies to all NC contact block styles)

- Legend plates sold separately. See page H74 for pricing.
- Up to 4 contact blocks can be attached.
- See page H72 for complete kit ordering information on other special contact blocks and power modules.
- One blank inscription diffuser included. For custom printed diffuser, order operator with applicable lens cap color plus custom printed diffuser on page H76, sold separately.

Standard Pushbuttons, Extended, Illuminated (Components) ❶





Component	Catalog Number	Price Ea.	Pkg. Qty.
01 Illuminated plastic operator with plastic bezel, momentary, flush	D7P-LE9	21.15	1
02 Illuminated metal operator with shiny metal bezel, momentary, flush	D7M-LE9	23.15	1
03 Lens Cap (includes blank diffuser)	D7-ALE0 D7-ALE3 D7-ALE4 D7-ALE5 D7-ALE6 D7-ALE7	.85	10
04 Custom printed Inscription diffusers ❶❷	AUTO CLOSE DOWN FAULT FAST FORWARD HAND HIGH LOW OFF ON OPEN REVERSE RUN SLOW START STOP UP	D7-AD4CE101 D7-AD4CE107 D7-AD4CE110 D7-AD4CE113 D7-AD4CE114 D7-AD4CE120 D7-AD4CE126 D7-AD4CE129 D7-AD4CE148 D7-AD4CE163 D7-AD4CE166 D7-AD4CE170 D7-AD4CE188 D7-AD4CE193 D7-AD4CE201 D7-AD4CE208 D7-AD4CE212 D7-AD4CE223	4.30 1

Component	Catalog Number	Price Ea.	Pkg. Qty.	
05 Tool-less Mounting Latch (for snap-on contact blocks and power modules)	Plastic Latch Metal Latch	D7-ALP D7-ALM	6.00 7.75	10
06 Power Module, Incandescent	D7-DOC	32.50	10	
07 Lamps, Incandescent	6V AC/DC 12V AC/DC 24V AC/DC 48V AC/DC 130V AC/DC	D7-N65 D7-N141 D7-N157 D7-N48 D7-N130	6.85	10
07 Lamps, Neon	240V AC	D7-N240	6.85	10
08 Power Module, Integral LED ❸❹	24V AC/DC 120V AC 240V AC	D7-N3x D7-N5x D7-N7x	39.35	10
09 Contact blocks ❺❻	NO NC NO, early make NC, late break NO, low voltage NC, low voltage	D7-X10 D7-X01 D7-X10E D7-X01L D7-X10V D7-X01V	13.70 22.25	10

- ❶ Legend plates sold separately. See page H74 for pricing.
- ❷ Up to 4 contact blocks can be attached.
- ❸ Screwless and dual circuit contact blocks available. See Accessories page H68 or H72 for ordering information.

- ❹ See page H76 for other custom printed ISO and text options.
- ❺ To complete the catalog no., replace the "x" with one of the codes on the previous page.

Standard Pushbuttons, Mushroom, Momentary, Illuminated (Complete Kits) ③

Contact Block(s) ①②	Plastic operator with plastic bezel		Metal operator with metal bezel	
				
	40mm Mushroom ③		40mm Mushroom ③	
	Catalog Number	Price	Catalog Number	Price
Oper. Only	D7P-LMM4⊕	34.25	D7M-LMM4⊕	39.50
Incandescent Module (Bulb Included)				
1NO	D7P-LMM4⊕♣X10	93.30	D7M-LMM4⊕♣X10	98.55
1NC	D7P-LMM4⊕♣X01		D7M-LMM4⊕♣X01	
2NO	D7P-LMM4⊕♣X20	107.00	D7M-LMM4⊕♣X20	112.25
2NC	D7P-LMM4⊕♣X02		D7M-LMM4⊕♣X02	
1NO/1NC	D7P-LMM4⊕♣X11		D7M-LMM4⊕♣X11	
Integral LED Module				
1NO	D7P-LMM4⊕♣X10	93.30	D7M-LMM4⊕♣X10	98.55
1NC	D7P-LMM4⊕♣X01		D7M-LMM4⊕♣X01	
2NO	D7P-LMM4⊕♣X20	107.00	D7M-LMM4⊕♣X20	112.25
2NC	D7P-LMM4⊕♣X02		D7M-LMM4⊕♣X02	
1NO/1NC	D7P-LMM4⊕♣X11		D7M-LMM4⊕♣X11	

Complete Kit Ordering Instructions

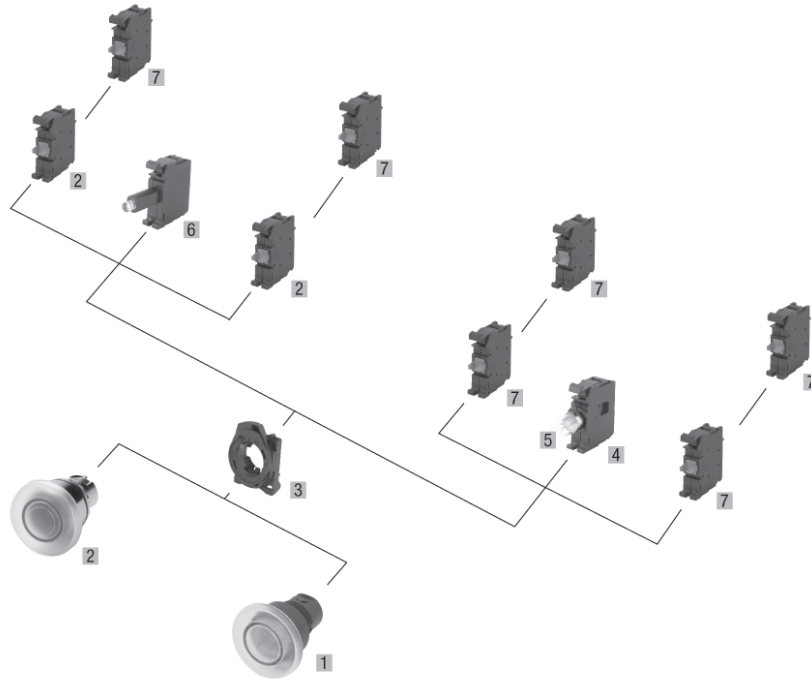
D7P –	LMM4	★	P	♣	X10
Oper. Construction D7P - Plastic operator with plastic bezel (Type 4/4X/13, IP65) D7M - Metal operator with metal bezel (Type 4/13, IP65)	Operator Type LMM4 - Mushroom, 40mm, momentary, illuminated	Lens Color 3 - Green 4 - Red 5 - Yellow 6 - Blue 7 - Clear	Mounting Latch P - Plastic latch (D7P and D7M offered with plastic latch as standard) M - Metal latch Note: For metal latch add \$1.75	Power Module <i>Incandescent module</i> D0 - no bulb (deduct \$6.85) D1 - 6V, bulb D2 - 12V, bulb D3 - 24V, bulb D4 - 48V, bulb D5 - 120V, bulb D7 - 240V, neon <i>Integral LED module</i> N3x, 24V AC/DC N5x, 120V AC N7x, 240V AC	Contacts ①② X10 - 1NO X01 - 1NC (↻) X20 - 2NO X02 - 2NC X11 - 1NO/1NC Add \$13.70 for each additional standard contact block

LED Module Code Selection	
For lens color...	replace "x" with...
Green	G
Red	R
Yellow Blue Clear	W

↻ Positive Opening per EN60947-5-1 (applies to all NC contact block styles)

- ① Up to 4 contact blocks can be attached.
- ② See page H72 for complete kit ordering information on other special contact blocks and power modules.
- ③ Not available with inscriptions. Order inscription ring or legend plate for identification. See pages H67 and H74 for pricing.

Standard Pushbuttons, Mushroom, Momentary, Illuminated (Components) ❶



Component	Catalog Number	Price Ea.	Pkg. Qty.
01 Plastic operator with plastic bezel, momentary, 40mm mushroom, illuminated ❶ Green Red Yellow Blue Clear	D7P-LMM43 D7P-LMM44 D7P-LMM45 D7P-LMM46 D7P-LMM47	34.25	1
02 Metal operator with metal bezel, momentary, 40mm mushroom, illuminated ❶ Green Red Yellow Blue Clear	D7M-LMM43 D7M-LMM44 D7M-LMM45 D7M-LMM46 D7M-LMM47	39.50	1
03 Tool-less Mounting Latch (for snap-on contact blocks and power modules) Plastic Latch Metal Latch	D7-ALP D7-ALM	6.00 7.75	10
04 Power Module, Incandescent	D7-DOC	32.50	10
05 Lamps, Incandescent 6V AC/DC 12V AC/DC 24V AC/DC 48V AC/DC 130V AC/DC	D7-N65 D7-N141 D7-N157 D7-N48 D7-N130	6.85	10

Component	Catalog Number	Price Ea.	Pkg. Qty.
05 Lamps, Neon 240V AC	D7-N240	6.85	10
06 Power Module, Integral LED ❷❸ 24V AC/DC 120V AC 240V AC	D7-N3x D7-N5x D7-N7x	39.35	10
07 Contact blocks ❷❸ NO NC NO, early make NC, late break NO, low voltage NC, low voltage	D7-X10 D7-X01 D7-X10E D7-X01L D7-X10V D7-X01V	13.70 22.25	10



❶ Not available with inscriptions. Order inscription ring or legend plate for identification. See pages H67 and H74 for pricing.

❷ Up to 4 contact blocks can be attached.

❸ Screwless and dual circuit contact blocks available. See Accessories page H68 for ordering information.

❹ To complete the catalog no., replace the “x” with one of the codes on the previous page.

Two Position Operators, Push-pull (Trigger Action), Non-illuminated (Complete Kit) ③④⑤⑥

Contact Block(s) ①②	Plastic operator with plastic bezel		Metal operator with metal bezel	
				
	40mm Color Cap ③		40mm Color Cap ③	
	Catalog Number	Price	Catalog Number	Price
Oper. Only	D7P-MP4④	46.00	D7M-MP4④	51.00
1NO	D7P-MP4④PX10	65.70	D7M-MP4④PX10	70.70
1NC	D7P-MP4④PX01		D7M-MP4④PX01	
GCB	D7P-MP4④PX01S	79.40	D7M-MP4④PX01S	84.40
2NO	D7P-MP4④PX20	79.40	D7M-MP4④PX20	84.40
2NC	D7P-MP4④PX02		D7M-MP4④PX02	
1NO/1NC	D7P-MP4④PX11		D7M-MP4④PX11	
3NO	D7P-MP4④PX30	93.10	D7M-MP4④PX30	98.10
3NC	D7P-MP4④PX03		D7M-MP4④PX03	
2NO/1NC	D7P-MP4④PX21		D7M-MP4④PX21	
1NO/2NC	D7P-MP4④PX12		D7M-MP4④PX12	

Complete Kit Ordering Instructions

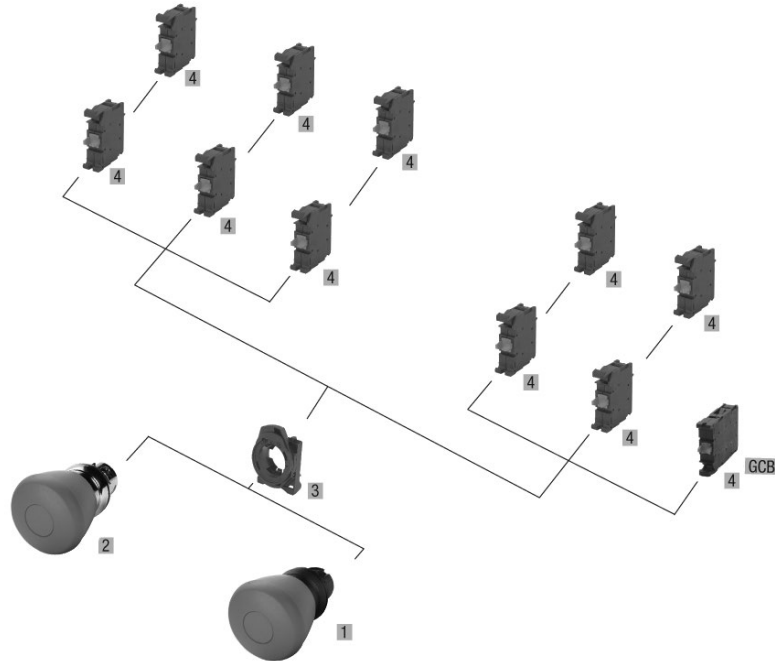
D7P –	MP4	★	P	X10
Oper. Construction D7P - Plastic operator with plastic bezel (Type 4/4X/13, IP66) D7M - Metal operator with metal bezel (Type 4/13, IP66)	Operator Type MP4 - 2-position, 40mm mushroom, push-pull, non-illuminated	Color Cap ③ 2 - Black 3 - Green 4 - Red 5 - Yellow 6 - Blue	Mounting Latch P - Plastic latch (D7P and D7M offered with plastic latch as standard) M - Metal latch Note: For metal latch add \$1.75	Contacts ①② X10 - 1NO X01 - 1NC → X20 - 2NO X02 - 2NC X11 - 1NO/1NC X30 - 3NO X03 - 3NC X21 - 2NO/1NC X12 - 1NO/2NC Add \$13.70 for each additional standard contact block

Colors in Gray are **SPECIAL ORDER**

→ Positive Opening per EN60947-5-1 (applies to all NC contact block styles)

- ① Up to 6 contact blocks (3 across / 2 high) can be attached.
- ② See page H72 for complete kit ordering information on other special contact blocks: Early make, late break, low voltage, and screwless contact blocks.
- ③ Not available with inscriptions. Order inscription ring or legend plate for identification. See pages H67 and H74 for pricing.
- ④ Operators are EN ISO13850 compliant with standard NC, NCLB or Guardian contact blocks.
- ⑤ For EMO Guards, see page H71.
- ⑥ Operators, latch, and contact block combinations have been third-party tested for B10d values. B10d values can be found in approval document EL660_01_10 online at www.sprecherschuh.com.

Two Position Operators, Push-pull (Trigger Action), Non-illuminated (Components) ❶





Component	Catalog Number	Price Ea.	Pkg. Qty.
01 Plastic operator with plastic bezel, 2-position, 40mm, push-pull ❶ Black Green Red Yellow Blue	D7P-MP42	46.00	1
	D7P-MP43		
	D7P-MP44		
	D7P-MP45		
	D7P-MP46		
02 Metal operator with metal bezel, 2-position, 40mm, push-pull ❶ Black Green Red Yellow Blue	D7M-MP42	51.00	1
	D7M-MP43		
	D7M-MP44		
	D7M-MP45		
	D7M-MP46		
03 Tool-less Mounting Latch (for snap-on contact blocks and power modules) Plastic Latch Metal Latch	D7-ALP	6.00	10
	D7-ALM	7.75	
04 Contact blocks ❷❸ NO NC NO, early make NC, late break GCB, Guardian Block	D7-X10	13.70	10
	D7-X01 ⊖		
	D7-X10E ⊖		
	D7-X01L ⊖		
	D7-X01S ⊖	27.40	

Colors in Gray are **SPECIAL ORDER**

⊖ Positive Opening per EN60947-5-1 (applies to all NC contact block styles)

- ❶ Not available with inscriptions. Order inscription ring or legend plate for identification. See pages H67 and H74 for pricing.
- ❷ Up to 6 contact blocks (3 across / 2 high) can be attached.
- ❸ Screwless and dual circuit contact blocks available. See page H68 for ordering information.

Three Position, Push-Pull, Non-Illuminated (Operator Only) ①②③




Metal operator with metal bezel		Metal operator with metal bezel	
			
40mm Mushroom, Momentary		40mm Mushroom, Maintained	
Catalog Number	Price	Catalog Number	Price
D7M-MM4☉E3	68.00	D7M-MP4☉E3	68.00

Important Note:
 Cannot use N.C. or N.O.E.M. contact blocks with 3 position push-pull operators. Contact blocks and mounting latches sold separately, see next page.

Ordering Instructions (Operator Only)

D7M	–	MM	4	★	E3
Operator Construction		Operator Type	Cap Size	Cap Color	Positions
D7M - Metal operator with metal bezel (Type 4/13, IP66)		MM - 3 position, 40 mm mushroom, push-pull Non-illuminated momentary out, maintained center, momentary in MP - 3 position, 40 mm Mushroom, push-pull Non-illuminated momentary out, maintained center, maintained in	4 - 40mm Plastic	2 - Black 3 - Green 4 - Red	E3 - 3 Position

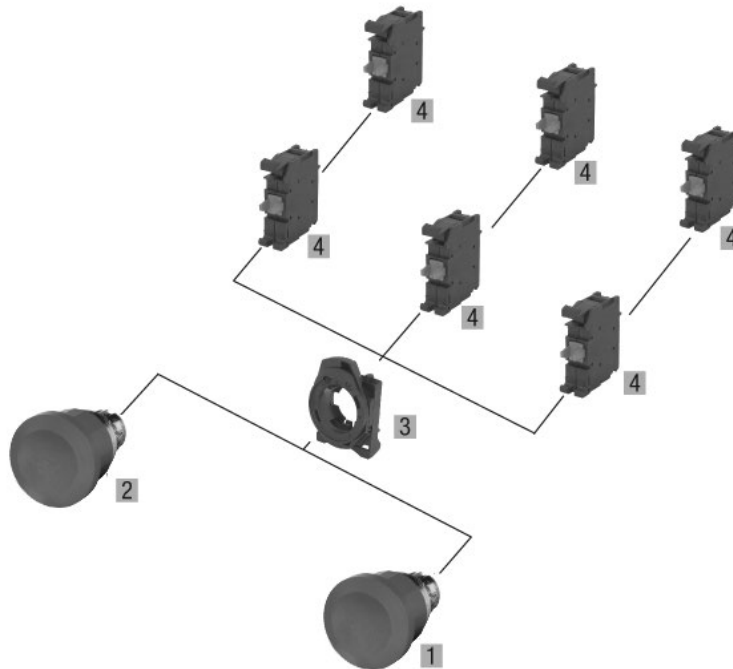
Target Table and Operator Positions

			
Contact Type	Out	Center	In
N.O.	0	0	X
N.C.E.B	X	0	0
N.C.L.B.	X	X	0

Note: X = Closed/ 0 = Open

- ① Not available with inscriptions. Order inscription ring or legend plate for identification. See pages H67 and H74 for pricing.
- ② Up to 6 contact blocks (3 across / 2 high) can be attached.
- ③ Cannot use N.C. or NOEM contact blocks with 3 position push-pull operators. Contact blocks and mounting latches sold separately, see next page.

Three Position, Push-Pull, Non-Illuminated (Components)



Component	Catalog Number	Price Ea.	Pkg. Qty.
01 Metal operator with shiny metal bezel momentary, 40mm Mushroom, non-illuminated momentary out, maintained center, momentary in ❶ Black Green Red	D7M-MM42E3 D7M-MM43E3 D7M-MM44E3	68.00	1
02 Metal operator with shiny metal bezel momentary, 40mm Mushroom, non-illuminated momentary out, maintained center, maintained in ❶ Black Green Red	D7M-MP42E3 D7M-MP43E3 D7M-MP44E3	68.00	1
03 Tool-less Mounting Latch (for snap-on contact blocks and power modules) Plastic Latch Metal Latch	D7-ALP D7-ALM	6.00 7.75	10
04 Contact Blocks ❷❸ NO NCLB NCEB	D7-X10 D7-X01L D7-X01B	13.70 22.25	10

❶ Not available with inscriptions. Order inscription ring or legend plate for identification. See pages H67 and H74 for pricing.

❷ Up to 6 contact blocks (3 across / 2 high) can be attached.

❸ Cannot use N.C. or NOEM contact blocks with 3 position push-pull operators

Emergency Stop Operators, Twist-to-release (Trigger Action), Non-keyed (Complete Kit) ③⑤⑥

Contact Block(s) ①②	Plastic operator with plastic bezel						Metal operator with metal bezel					
	30mm Color Cap ③		40mm Color Cap ③		60mm Color Cap ③		30mm Color Cap ③		40mm Color Cap ③		60mm Color Cap ③	
	Catalog Number	Price	Catalog Number	Price	Catalog Number	Price	Catalog Number	Price	Catalog Number	Price	Catalog Number	Price
Oper. Only	D7P-MT34	42.50	D7P-MT44	46.00	D7P-MT64	53.00	D7M-MT34	47.50	D7M-MT44	51.00	D7M-MT64	58.00
1NO	D7P-MT34PX10	62.20	D7P-MT44PX10	65.70	D7P-MT64PX10	72.70	D7M-MT34PX10	67.20	D7M-MT44PX10	70.70	D7M-MT64PX10	77.70
1NC	D7P-MT34PX01		D7P-MT44PX01		D7P-MT64PX01		D7M-MT34PX01		D7M-MT44PX01		D7M-MT64PX01	
GCB ④	D7P-MT34PX01S	75.90	D7P-MT44PX01S	79.40	D7P-MT64PX01S	86.40	D7M-MT34PX01S	80.90	D7M-MT44PX01S	84.40	D7M-MT64PX01S	91.40
2NO	D7P-MT34PX20	75.90	D7P-MT44PX20	79.40	D7P-MT64PX20	86.40	D7M-MT34PX20	80.90	D7M-MT44PX20	84.40	D7M-MT64PX20	91.40
2NC	D7P-MT34PX02		D7P-MT44PX02		D7P-MT64PX02		D7M-MT34PX02		D7M-MT44PX02		D7M-MT64PX02	
1NO/1NC	D7P-MT34PX11		D7P-MT44PX11		D7P-MT64PX11		D7M-MT34PX11		D7M-MT44PX11		D7M-MT64PX11	
3NO	D7P-MT34PX30	89.60	D7P-MT44PX30	93.10	D7P-MT64PX30	100.10	D7M-MT34PX30	94.60	D7M-MT44PX30	98.10	D7M-MT64PX30	105.10
3NC	D7P-MT34PX03		D7P-MT44PX03		D7P-MT64PX03		D7M-MT34PX03		D7M-MT44PX03		D7M-MT64PX03	
2NO/1NC	D7P-MT34PX21		D7P-MT44PX21		D7P-MT64PX21		D7M-MT34PX21		D7M-MT44PX21		D7M-MT64PX21	
1NO/2NC	D7P-MT34PX12		D7P-MT44PX12		D7P-MT64PX12		D7M-MT34PX12		D7M-MT44PX12		D7M-MT64PX12	

Complete Kit Ordering Instructions

D7P –	MT4	4	P	X10
Oper. Construction	Operator Type	Color Cap ③	Mounting Latch	Contacts ①②④
D7P - Plastic operator with plastic bezel (Type 4/4X/13, IP66)	MT3 - 2-position, 30mm diameter, twist-to-release	4 - Red	P - Plastic latch (D7P and D7M offered with plastic latch as standard)	X10 - 1NO X01 - 1NC X20 - 2NO X02 - 2NC X11 - 1NO/1NC X30 - 3NO X03 - 3NC X21 - 2NO/1NC X12 - 1NO/2NC
D7M - Metal operator with metal bezel (Type 4/13, IP66)	MT4 - 2-position, 40mm diameter, twist-to-release		M - Metal latch Note: For metal latch add \$1.75	<i>Add \$13.70 for each additional standard contact block</i>

→ Positive Opening per EN60947-5-1 (applies to all NC contact block styles)

“EMO” Emergency Stop Operator

40mm Emergency Stop metal and plastic operators are available with a special “EMO” inscription. To order:

- Select 40mm kit of choice
- Add suffix “E” to catalog number
- Add \$3.45 to list price.

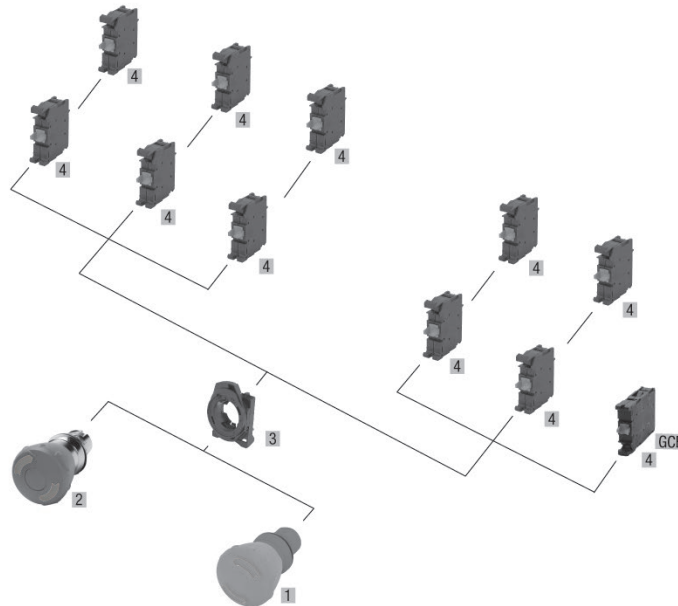
Ex.: Change D7P-MT44PX01 to D7P-MT44PEX01



Semicon compliant yellow plastic guards available, see page H71

- Up to 6 contact blocks (3 across / 2 high) can be attached.
- See page H72 for complete kit ordering information on other special contact blocks: Early make, late break, low voltage, and screwless contact blocks.
- Order inscription ring or legend plate for identification. See pages H67 and H74 for pricing.
- When ordering E-Stop Complete Kits with Guardian Contact Blocks, additional NO and NC contact blocks should be ordered as components from the opposite page.
- Operators are EN-ISO13850 compliant with standard NC, NCLB or Guardian contact blocks.
- Operators, latch, and contact block combinations have been third-party tested for B10d values. B10d values can be found in approval document EL660_01_10 online at www.sprecherschuh.com.

Emergency Stop Operators, Twist-to-release (Trigger Action), Non-keyed (Components) ①



Component	Catalog Number	Price Ea.	Pkg. Qty.
01 Plastic operator with plastic bezel, 30mm Red, Twist-to-release ① Plastic operator with plastic bezel, 40mm Red Twist-to-release ① ④ Plastic operator with plastic bezel, 60mm Red, Twist-to-release ①	D7P-MT34	42.50	1
	D7P-MT44	46.00	
	D7P-MT64	53.00	
02 Metal operator with shiny metal bezel, 30mm Red, Twist-to-release ① Metal operator with shiny metal bezel, 40mm Red, Twist-to-release ① ④ Metal operator with shiny metal bezel, 60mm Red, Twist-to-release ①	D7M-MT34	47.50	1
	D7M-MT44	51.00	
	D7M-MT64	58.00	
03 Tool-less Mounting Latch (for snap-on contact blocks and power modules) Plastic Latch Metal Latch	D7-ALP	6.00	10
	D7-ALM	7.75	
04 Contact blocks ②③ NO NC NO, early make NC, late break NO, low voltage NC, low voltage GCB, Guardian Block	D7-X10	13.70	10
	D7-X01 ⊕		
	D7-X10E		
	D7-X01L ⊕		
	D7-X10V	22.25	
D7-X01V ⊕			
D7-X01S ⊕	27.40		

⊕ Positive Opening per EN60947-5-1 (applies to all NC contact block styles)

- ① Not available with inscriptions. Order inscription ring or legend plate for identification. See pages H67 and H74 for pricing.
- ② Screwless and dual circuit contact blocks available. See page H72 for ordering information.
- ③ Up to 6 contact blocks (3 across / 2 high) can be attached. Up to 4 contact blocks for the Guardian block.
- ④ For special "EMO" inscription, add suffix "E" to catalog number. Add \$3.45 to list price. Ex.: Change D7P-MT44 to D7P-MT44E.

E-Stop Guardian™ Contact Blocks (D7-X01S)

Separation of the contact blocks from the front operator or mounting latch can prevent an E-Stop from shutting down the controlled process in an emergency. Proper contact block installation is critical to ensure that the normally closed contacts will open when the E-Stop is actuated.

Designed for critical control applications, Sprecher + Schuh's new Guardian Contact Block (GCB) monitors itself to assure it is properly installed on E-Stop operators.

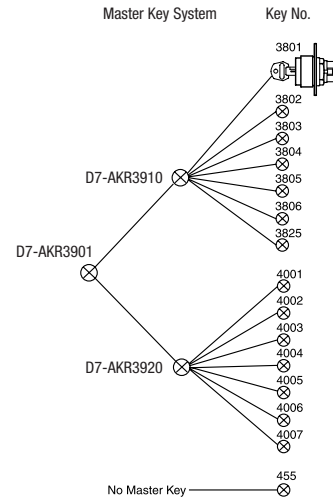
A normally open Guardian contact is physically molded and wired in series with a standard set of normally closed (NC) contacts. The normally open Guardian contacts automatically close when the contact block is properly installed on the E-Stop operator ①. In this state, the E-Stop and NC contacts operate as usual, with actuation of the E-Stop causing the NC contacts to open ②.

If the contact block should separate from the E-Stop operator, the normally open Guardian contacts will automatically open ③. Because the Guardian contacts are wired in series with the NC contacts, the opening of either set of contacts will open the circuit being controlled by the E-Stop.

	① Normal Operation	② Actuated Button	③ Improperly Installed
N.O. G.C.B.	X	X	0
N.C.	X	0	X
1 2	X	0	0

Emergency Stop Operators, Twist-to-release (Trigger Action), Keyed (Complete Kit) ①②③④

Contact Block(s) ①②	Plastic operator with plastic bezel		Metal operator with metal bezel	
	40mm Color Cap ③④		40mm Color Cap ③④	
	Catalog Number	Price	Catalog Number	Price
Oper. Only	D7P-MK44	107.00	D7M-MK44	112.00
1NO	D7P-MK44PX10	126.70	D7M-MK44PX10	131.70
1NC	D7P-MK44PX01		D7M-MK44PX01	
GCB ④	D7P-MK44PX01S	140.40	D7M-MK44PX01S	145.40
2NO	D7P-MK44PX20	140.40	D7M-MK44PX20	145.40
2NC	D7P-MK44PX02		D7M-MK44PX02	
1NO/1NC	D7P-MK44PX11		D7M-MK44PX11	
3NO	D7P-MK44PX30	154.10	D7M-MK44PX30	159.10
3NC	D7P-MK44PX03		D7M-MK44PX03	
2NO/1NC	D7P-MK44PX21		D7M-MK44PX21	
1NO/2NC	D7P-MK44PX12		D7M-MK44PX12	



H Pilot Devices

Complete Kit Ordering Instructions

D7P –		MK4	4	★	P	X10																														
Oper. Construction	Operator Type	Color Cap ③	Key Code ⑦		Mounting Latch	Contacts ①②④																														
D7P - Plastic operator with plastic bezel (Type 4/4X/13, IP66)	MK4 - 2-position, 40mm diameter, keyed, twist-to-release	4 - Red	Omit this position for a standard key (3825)		P - Plastic latch (D7P and D7M offered with plastic latch as standard)	X10 - 1NO X01 - 1NC → X20 - 2NO X02 - 2NC X11 - 1NO/1NC X30 - 3NO X03 - 3NC X21 - 2NO/1NC X12 - 1NO/2NC																														
D7M - Metal operator with metal bezel (Type 4/13, IP66)			Ronis Key Lock <table border="1"> <thead> <tr> <th>Key Code</th> <th>Key No.</th> </tr> </thead> <tbody> <tr><td>Blank</td><td>3825 (Standard)</td></tr> <tr><td>R</td><td>455</td></tr> <tr><td>01R</td><td>3801</td></tr> <tr><td>02R</td><td>3802</td></tr> <tr><td>03R</td><td>3803</td></tr> <tr><td>04R</td><td>3804</td></tr> <tr><td>05R</td><td>3805</td></tr> <tr><td>06R</td><td>3806</td></tr> <tr><td>27R</td><td>4001</td></tr> <tr><td>28R</td><td>4002</td></tr> <tr><td>29R</td><td>4003</td></tr> <tr><td>30R</td><td>4004</td></tr> <tr><td>31R</td><td>4005</td></tr> <tr><td>32R</td><td>4006</td></tr> <tr><td>33R</td><td>4007</td></tr> </tbody> </table>				Key Code	Key No.	Blank	3825 (Standard)	R	455	01R	3801	02R	3802	03R	3803	04R	3804	05R	3805	06R	3806	27R	4001	28R	4002	29R	4003	30R	4004	31R	4005	32R	4006
Key Code	Key No.																																			
Blank	3825 (Standard)																																			
R	455																																			
01R	3801																																			
02R	3802																																			
03R	3803																																			
04R	3804																																			
05R	3805																																			
06R	3806																																			
27R	4001																																			
28R	4002																																			
29R	4003																																			
30R	4004																																			
31R	4005																																			
32R	4006																																			
33R	4007																																			
					M - Metal latch	Add \$13.70 for each additional standard contact block Note: For metal latch add \$1.75																														

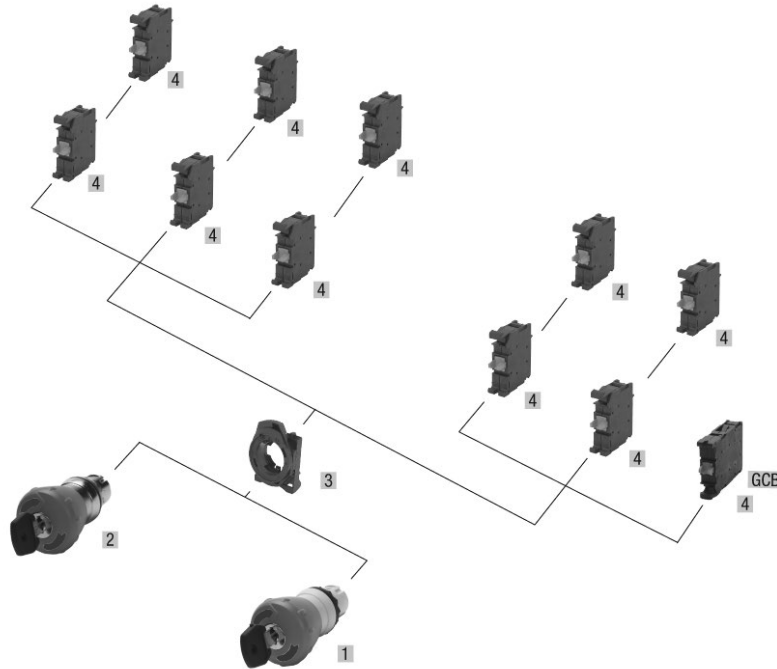
* Shading denotes special order.

→ Positive Opening per EN60947-5-1 (applies to all NC contact block styles)

- ① Up to 6 contact blocks (3 across / 2 high) can be attached.
- ② See page H72 for complete kit ordering information on other special contact blocks: Early make, late break, low voltage, and screwless contact blocks.
- ③ Not available with inscriptions. Order inscription ring or legend plate for identification. See pages H67 and H74 for pricing.
- ④ When ordering E-Stop Complete Kits with Guardian Contact Blocks, additional NO and NC contact blocks should be ordered as components from the opposite page. Equipped with one set (two keys) of the selected Ronis Key. For Ronis replacement keys, see Accessories page H69.

- ⑤ Operators are EN-ISO13850 compliant with standard NC, NCLB or Guardian contact blocks.
- ⑥ Not intended for high security applications. Interoperability is possible with certain key/cylinder lock combinations
- ⑦ Key removal from maintained depressed position only.
- ⑧ Operators, latch, and contact block combinations have been third-party tested for B10d values. B10d values can be found in approval document EL660_01_10 online at www.sprecherschuh.com.

Emergency Stop Operators, Twist-to-release (Trigger Action), Keyed (Components) ①



Component	Catalog Number	Price Ea.	Pkg. Qty.
01 Plastic operator with plastic bezel, 40mm Red, keyed, Twist-to-release ①②	D7P-MK44⊕	107.00	1
02 Metal operator with shiny metal bezel, 40mm Red, keyed, Twist-to-release ①②	D7M-MK44⊕	112.00	1
03 Tool-less Mounting Latch (for snap-on contact blocks and power modules)			
Plastic Latch	D7-ALP	6.00	10
Metal Latch	D7-ALM	7.75	
04 Contact blocks ②③			
NO	D7-X10	13.70	10
NC	D7-X01⊖		
NO, early make	D7-X10E		
NC, late break	D7-X01L⊖		
GCB, Guardian Block	D7-X01S⊖	27.40	

See "Complete Assembly Ordering Instructions" chart on opposite page to determine "Key Codes" (⊕) if applicable.

⊖ Positive Opening per EN60947-5-1 (applies to all NC contact block styles)

E-Stop Guardian™ Contact Blocks (D7-X01S)

Separation of the contact blocks from the front operator or mounting latch can prevent an E-Stop from shutting down the controlled process in an emergency. Proper contact block installation is critical to ensure that the normally closed contacts will open when the E-Stop is actuated.

Designed for critical control applications, Sprecher + Schuh's new Guardian Contact Block (GCB) monitors itself to assure it is properly installed on E-Stop operators.

A normally open Guardian contact is physically molded and wired in series with a standard set of normally closed (NC) contacts. The normally open Guardian contacts automatically close when the contact block is properly installed on the E-Stop operator ①. In this state, the E-Stop and NC contacts operate as usual, with actuation of the E-Stop causing the NC contacts to open ②.

If the contact block should separate from the E-Stop operator, the normally open Guardian contacts will automatically open ③. Because the Guardian contacts are wired in series with the NC contacts, the opening of either set of contacts will open the circuit being controlled by the E-Stop.

	① Normal Operation	② Actuated Button	③ Improperly Installed
	X	X	0
	X	0	X
	X	0	0

- ① Not available with inscriptions. Order inscription ring or legend plate for identification. See pages H67 and H74 for pricing.
- ② Screwless and dual circuit contact blocks available. See page H72 for ordering information.
- ③ Up to 6 contact blocks (3 across / 2 high) can be attached. Up to 4 contact blocks for the Guardian block
- ④ For Ronis replacement keys, see Accessories page H69.

Two Position Operators, Push-Pull, Illuminated (Complete Kits) ③④⑥⑦⑨

Contact Block(s) ①②	Plastic operator with plastic bezel						Metal operator with metal bezel					
	30mm Mushroom ③		40mm Mushroom ③		60mm Mushroom ③		30mm Mushroom ③		40mm Mushroom ③		60mm Mushroom ③	
	Catalog Number	Price	Catalog Number	Price	Catalog Number	Price	Catalog Number	Price	Catalog Number	Price	Catalog Number	Price
Oper. Only	D7P-LMP3③	68.50	D7P-LMP4④	72.00	D7P-LMP6⑥	79.00	D7M-LMP3③	73.50	D7M-LMP4④	77.00	D7M-LMP6⑥	84.00
Integral LED Module												
1NO	D7P-LMP3③P♣X10	127.55	D7P-LMP4④P♣X10	131.05	D7P-LMP6⑥P♣X10	138.05	D7M-LMP3③P♣X10	132.55	D7M-LMP4④P♣X10	136.05	D7M-LMP6⑥P♣X10	143.05
1NC	D7P-LMP3③P♣X01		D7P-LMP4④P♣X01		D7P-LMP6⑥P♣X01		D7M-LMP3③P♣X01		D7M-LMP4④P♣X01		D7M-LMP6⑥P♣X01	
GCB	D7P-LMP3③P♣X01S	141.25	D7P-LMP4④P♣X01S	144.75	D7P-LMP6⑥P♣X01S	151.75	D7M-LMP3③P♣X01S	146.25	D7M-LMP4④P♣X01S	149.75	D7M-LMP6⑥P♣X01S	156.75
2NO	D7P-LMP3③P♣X20	141.25	D7P-LMP4④P♣X20	144.75	D7P-LMP6⑥P♣X20	151.75	D7M-LMP3③P♣X20	146.25	D7M-LMP4④P♣X20	149.75	D7M-LMP6⑥P♣X20	156.75
2NC	D7P-LMP3③P♣X02		D7P-LMP4④P♣X02		D7P-LMP6⑥P♣X02		D7M-LMP3③P♣X02		D7M-LMP4④P♣X02		D7M-LMP6⑥P♣X02	
1NO/1NC	D7P-LMP3③P♣X11		D7P-LMP4④P♣X11		D7P-LMP6⑥P♣X11		D7M-LMP3③P♣X11		D7M-LMP4④P♣X11		D7M-LMP6⑥P♣X11	

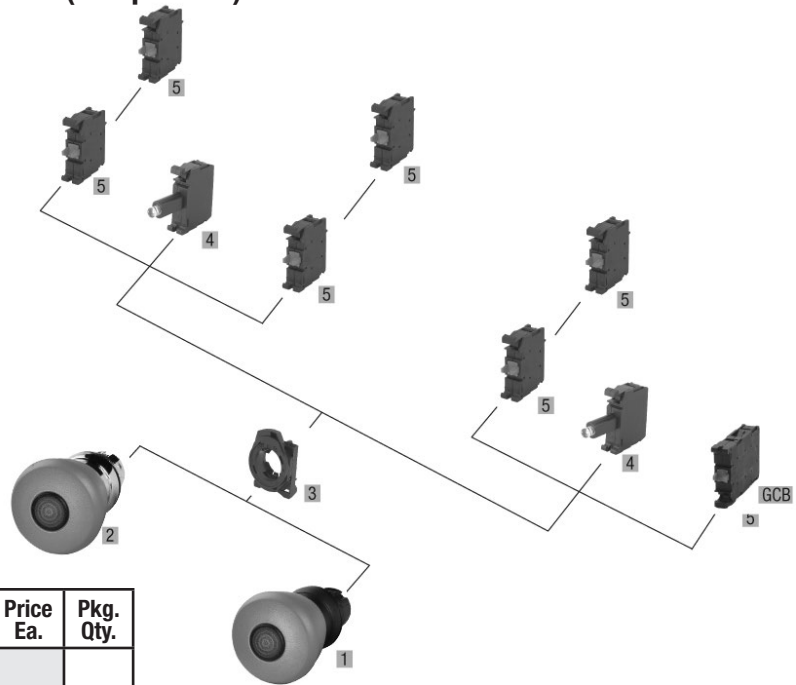
Complete Kit Ordering Instructions

D7P –	LMP3	★	P	♣	X10
Oper. Construction D7P - Plastic operator with plastic bezel (Type 4/4X/13, IP66) D7M - Metal operator with metal bezel (Type 4/13, IP66)	Operator Type LMP3 - 2-position, 30mm mushroom, push-pull, illuminated LMP4 - 2-position, 40mm mushroom, push-pull, illuminated LMP6 - 2-position, 60mm mushroom, push-pull, illuminated	Lens Color 3 - Green 4 - Red 5 - Yellow ⑤ 6 - Blue ⑥	Mounting Latch P - Plastic latch (D7P and D7M offered with plastic latch as standard) M - Metal latch Note: For metal latch add \$1.75	Power Module ④ <i>Integral LED module</i> N3x, 24V AC/DC N5x, 120V AC N7x, 240V AC <i>See Footnote ⑤ to complete catalog number to choose desired color.</i>	Contacts ①② X10 - 1NO X01 - 1NC → X20 - 2NO X02 - 2NC X11 - 1NO/1NC <i>Add \$13.70 for each additional standard contact block</i>

→ Positive Opening per EN60947-5-1 (applies to all NC contact block styles)

- ① Up to 4 contact blocks can be attached.
- ② See page H72 for complete kit ordering information on other special contact blocks and power modules.
- ③ Not available with inscriptions. Order inscription ring or legend plate for identification. See pages H67 and H74 for pricing.
- ④ Integral LED module required for illumination, cannot use incandescent module.
- ⑤ To complete the catalog no., replace the x with one of the following letters for desired color: **R** = Red, **G** = Green, **W** = White for Yellow and Blue lens color.
- ⑥ Operators are EN-ISO13850 compliant with standard NC, NCLB or Guardian contact blocks.
- ⑦ 60mm version has black arrows; 30mm & 40mm versions have white arrows.
- ⑧ Only available on 40mm operators.
- ⑨ Operators, latch, and contact block combinations have been third-party tested for B10d values. B10d values can be found in approval document EL660_01_10 online at www.sprecherschuh.com.

Two Position Operators, Push-Pull, Illuminated (Components) ❶



Component	Catalog Number	Price Ea.	Pkg. Qty.	
01 Plastic operator with plastic bezel, 2-position, 30mm push-pull, illuminated ❶❷ Green Red Yellow Plastic operator with plastic bezel, 2-position, 40mm push-pull, illuminated ❶❷ Green Red Yellow Blue Plastic operator with plastic bezel, 2-position, 60mm push-pull, illuminated ❶❷ Green Red Yellow	D7P-LMP33	68.50	1	
	D7P-LMP34			
	D7P-LMP35			
	D7P-LMP43	72.00	1	
	D7P-LMP44			
	D7P-LMP45			
	D7P-LMP46	79.00	1	
	D7P-LMP63			
	D7P-LMP64			
	D7P-LMP65			
	02 Metal operator with metal bezel, 2-position, 30mm push-pull, illuminated ❶❷ Green Red Yellow Metal operator with metal bezel, 2-position, 40mm push-pull, illuminated ❶❷ Green Red Yellow Blue Metal operator with metal bezel, 2-position, 60mm push-pull, illuminated ❶❷ Green Red Yellow	D7M-LMP33	73.50	1
		D7M-LMP34		
D7M-LMP35				
D7M-LMP43		77.00	1	
D7M-LMP44				
D7M-LMP45				
D7M-LMP46		84.00	1	
D7M-LMP63				
D7M-LMP64				
D7M-LMP65				

Component	Catalog Number	Price Ea.	Pkg. Qty.
03 Tool-less Mounting Latch (for snap-on contact blocks and power modules) Plastic Latch Metal Latch	D7-ALP	6.00	10
	D7-ALM	7.75	
04 Power Module, Integral LED ❸❹ 24V AC/DC 120V AC 240V AC	D7-N3x	39.35	10
	D7-N5x		
	D7-N7x		
05 Contact blocks ❷❸ NO NC NO, early make NC, late break NO, low voltage NC, low voltage GCB, Guardian Block	D7-X10	13.70	10
	D7-X01		
	D7-X10E		
	D7-X01L		
	D7-X10V	22.25	
	D7-X01V		
	D7-X01S	27.40	

➡ Positive Opening per EN60947-5-1 (applies to all NC contact block styles)

- ❶ Not available with inscriptions. Order inscription ring or legend plate for identification. See pages H67 and H74 for pricing.
- ❷ Up to 4 contact blocks can be attached.
- ❸ Screwless and dual circuit contact blocks available. See Accessories page H68 for ordering information.
- ❹ Integral LED module required for illumination cannot use incandescent module.
- ❺ To complete the catalog no., replace the x with one of the following letters for desired color: **R** = Red, **G** = Green, **W** = White for Yellow and Blue lens color.

Two Position Operators, Twist-to-release, Illuminated (Complete Kits) ③④⑤

Contact Block(s) ①②	Plastic operator with plastic bezel				Metal operator with metal bezel			
	40mm Mushroom ③		60mm Mushroom ③		40mm Mushroom ③		60mm Mushroom ③	
	Catalog Number	Price	Catalog Number	Price	Catalog Number	Price	Catalog Number	Price
Oper. Only	D7P-LMT44	72.00	D7P-LMT64	79.00	D7M-LMT44	77.00	D7M-LMT64	84.00
Integral LED Module								
1NO	D7P-LMT44P♣X10	131.05	D7P-LMT64P♣X10	138.05	D7M-LMT44P♣X10	136.05	D7M-LMT64P♣X10	143.05
1NC	D7P-LMT44P♣X01		D7P-LMT64P♣X01		D7M-LMT44P♣X01		D7M-LMT64P♣X01	
GCB	D7P-LMT44P♣X01S	144.75	D7P-LMT64P♣X01S	151.75	D7M-LMT44P♣X01S	149.75	D7M-LMT64P♣X01S	156.75
2NO	D7P-LMT44P♣X20	144.75	D7P-LMT64P♣X20	151.75	D7M-LMT44P♣X20	149.75	D7M-LMT64P♣X20	156.75
2NC	D7P-LMT44P♣X02		D7P-LMT64P♣X02		D7M-LMT44P♣X02		D7M-LMT64P♣X02	
1NO/1NC	D7P-LMT44P♣X11		D7P-LMT64P♣X11		D7M-LMT44P♣X11		D7M-LMT64P♣X11	
3NO	D7P-LMT44P♣X30	158.45	D7P-LMT64P♣X30	165.45	D7M-LMT44P♣X30	163.45	D7M-LMT64P♣X30	170.45
3NC	D7P-LMT44P♣X03		D7P-LMT64P♣X03		D7M-LMT44P♣X03		D7M-LMT64P♣X03	
2NO/1NC	D7P-LMT44P♣X21		D7P-LMT64P♣X21		D7M-LMT44P♣X21		D7M-LMT64P♣X21	
1NO/2NC	D7P-LMT44P♣X12		D7P-LMT64P♣X12		D7M-LMT44P♣X12		D7M-LMT64P♣X12	

Complete Kit Ordering Instructions

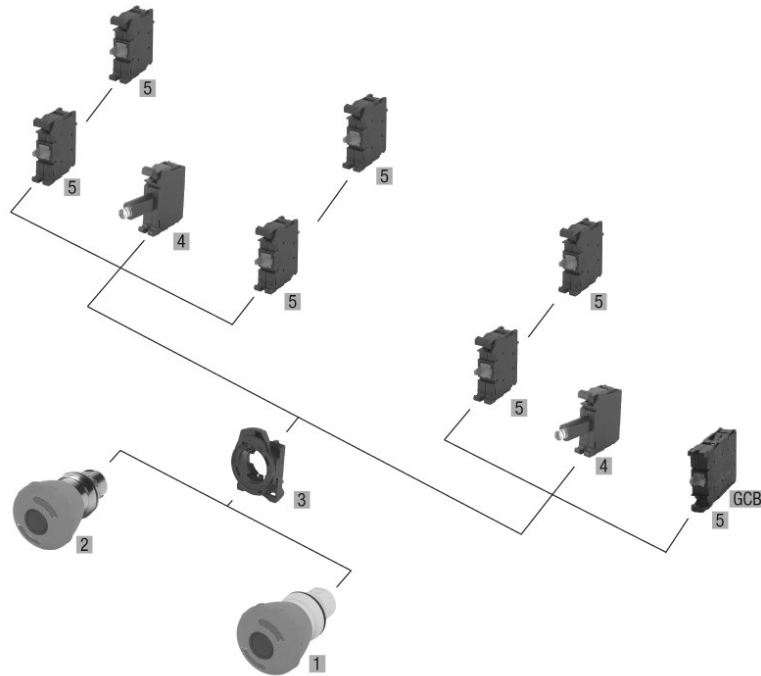
D7P	–	LMT4	4	P	♣	X10
Oper. Construction		Operator Type	Lens Cap Color	Mounting Latch	Power Module ④	Contacts ①②
D7P - Plastic operator with plastic bezel (Type 4/4X/13, IP66)		LMT4 - 2-position, 40mm mushroom, twist-to-release, illuminated	4 - Red	P - Plastic latch (D7P and D7M offered with plastic latch as standard)	<i>Integral LED module</i> N3R, 24V AC/DC N5R, 120V AC N7R, 240V AC	X10 - 1NO X01 - 1NC → X20 - 2NO X02 - 2NC X11 - 1NO/1NC
D7M - Metal operator with metal bezel (Type 4/13, IP66)		LMT6 - 2-position, 60mm mushroom, twist-to-release, illuminated		M - Metal latch Note: For metal latch add \$1.75		Add \$13.70 for each additional standard contact block

→ Positive Opening per EN60947-5-1 (applies to all NC contact block styles)

- ① Up to 4 contact blocks can be attached.
- ② See page H72 for complete kit ordering information on other special contact blocks and power modules.
- ③ Not available with inscriptions. Order inscription ring or legend plate for identification. See pages H67 and H74 for pricing.
- ④ Integral LED module required for illumination, cannot use incandescent module.

- ⑤ Operators are EN-ISO13850 compliant with standard NC, NCLB or Guardian contact blocks.
- ⑥ Operators, latch, and contact block combinations have been third-party tested for B10d values. B10d values can be found in approval document EL660_01_10 online at www.sprecherschuh.com.

Two Position Operators, Twist-to-release, Illuminated (Components) ①





Component	Catalog Number	Price Ea.	Pkg. Qty.
01 Plastic operator with plastic bezel, 2-position, 40mm twist-to-release, illuminated ①④ Red Plastic operator with plastic bezel, 2-position, 60mm twist-to-release, illuminated ①④⑤ Red	D7P-LMT44 D7P-LMT64	72.00 79.00	1 1
02 Metal operator with metal bezel, 2-position, 40mm twist-to-release, illuminated ①④ Red Metal operator with metal bezel, 2-position, 60mm twist-to-release, illuminated ①④⑤ Red	D7M-LMT44 D7M-LMT64	77.00 84.00	1 1
03 Tool-less Mounting Latch (for snap-on contact blocks and power modules) Plastic Latch Metal Latch	D7-ALP D7-ALM	6.00 7.75	10

Component	Catalog Number	Price Ea.	Pkg. Qty.
04 Power Module, Integral LED ④ RED 24V AC/DC RED 120V AC RED 240V AC	D7-N3R D7-N5R D7-N7R	39.35	10
05 Contact blocks ②③ NO NC NO, early make NC, late break NO, low voltage NC, low voltage GCB, Guardian Block	D7-X10 D7-X01 ⊖ D7-X10E D7-X01L ⊖ D7-X10V D7-X01V ⊖ D7-X01S ⊖	13.70 22.25 27.40	10

⊖ Positive Opening per EN60947-5-1 (applies to all NC contact block styles)

- ① Not available with inscriptions. Order inscription ring or legend plate for identification. See pages H67 and H74 for pricing.
- ② Up to 4 contact blocks can be attached.
- ③ Screwless and dual circuit contact blocks available. See page H72 for ordering information.
- ④ Integral LED module required for illumination, cannot use incandescent module.
- ⑤ 60mm version has black arrows; 40mm versions have white arrows.

Three Position, Push-Pull, Illuminated (Operator Only) ①②④

Metal operator with metal bezel		Metal operator with metal bezel	
			
40mm Mushroom, Momentary		40mm Mushroom, Maintained	
Catalog Number	Price	Catalog Number	Price
D7M-LMM4⊕E3	94.00	D7M-LMP4⊕E3	94.00




Important Note:

- Cannot use N.C. or N.O.E.M. contact blocks with 3-position push-pull operators.
- Integral LED module required for illumination, cannot use incandescent module.
- Contact blocks, mounting latches and light modules sold separately, see next page to order.

Ordering Instructions (Operator Only)

D7M –	LMM	4	★	E3
Operator D7M - Metal operator with metal bezel (Type 4/13, IP66)	Operator Type LMM - 3 position, 40mm mushroom, push-pull illuminated momentary out, maintained center, momentary in LMP - 3 position, 40mm mushroom, push-pull illuminated momentary out, maintained center, maintained in	Cap Size 4 - 40mm Plastic	Cap/Lens Color 0- Amber 3 - Green 4 - Red 6 - Blue 7 - Clear	Positions E3 - 3 Position

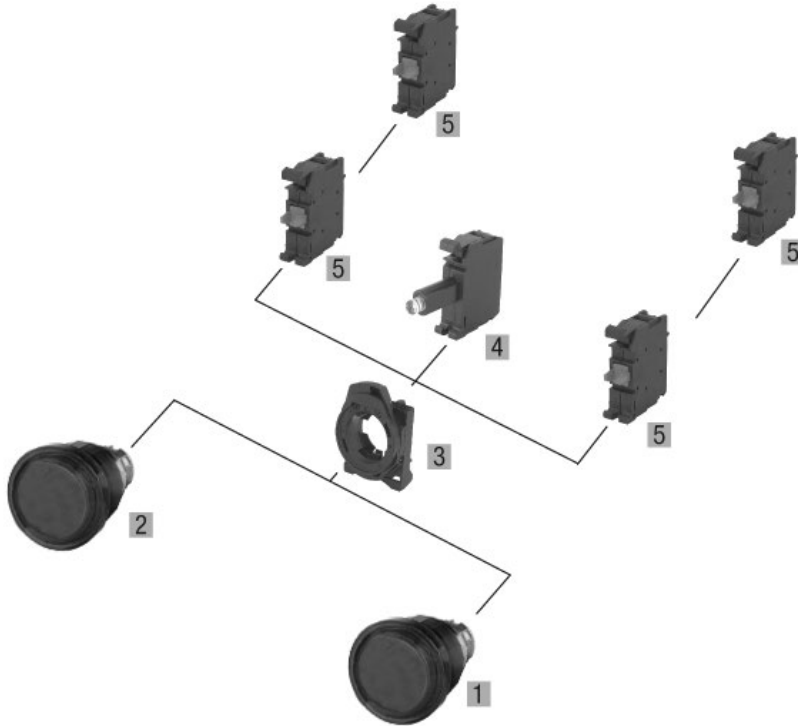
Target Table and Operator Positions ③④

			
Contact Type	Out	Center	In
N.O.	0	0	X
N.C.E.B	X	0	0
N.C.L.B.	X	X	0

Note: X = Closed/ 0 = Open

- ① Not available with inscriptions. Order inscription ring or legend plate for identification. See pages H67 and H74 for pricing.
- ② Integral LED module required for illumination, cannot use incandescent module.
- ③ Up to 4 contact blocks can be attached.
- ④ Cannot use N.C. or NOEM contact blocks with 3-position push-pull operators. Must use N.O., N.C.E.B., or N.C.L.B. contact blocks.

Three Position, Push-Pull, Illuminated (Components)

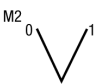
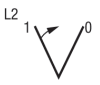
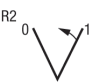


Component	Catalog Number	Price Ea.	Pkg. Qty.
01 Metal operator with metal bezel momentary, 40mm Mushroom, illuminated momentary out, maintained center, momentary in ❶ Amber Green Red Blue Clear	D7M-LMM40E3 D7M-LMM43E3 D7M-LMM44E3 D7M-LMM46E3 D7M-LMM47E3	94.00	1
02 Metal operator with metal bezel momentary, 40mm Mushroom, illuminated momentary out, maintained center, maintained in ❶ Amber Green Red Blue Clear	D7M-LMP40E3 D7M-LMP43E3 D7M-LMP44E3 D7M-LMP46E3 D7M-LMP47E3	94.00	1
03 Tool-less Mounting Latch Plastic Latch Metal Latch	D7-ALP D7-ALM	6.00 7.75	10
04 Power Module, Integral LED module ❷ 24V AC/DC 120V AC 240V AC	D7-N3x D7-N5x D7-N7x	39.35	10
05 Contact Blocks ❸❹ NO NCLB NCEB	D7-X10 D7-X01L D7-X01B	13.70 22.25	10

LED Module Code Selection	
For lens color...	replace "x" with...
Green	G
Red	R
Amber Blue Clear	W

- ❶ Not available with inscriptions. Order inscription ring or legend plate for identification. See pages H67 and H74 for pricing.
- ❷ Up to 4 contact blocks can be attached.
- ❸ Cannot use N.C. or NOEM contact blocks with 3-position push-pull operators.

Two Position Selector Switches, Non-Illuminated (Complete Kits) ①



Switching Positions	Contact Block(s) ⊕⊕	Plastic operator with plastic bezel		Metal operator with metal bezel	
		Catalog Number	Price	Catalog Number	Price
	Oper. Only	D7P-♣M22	18.80	D7M-♣M22	21.00
	1	D7P-♣M22P▼	38.50	D7M-♣M22P▼	40.70
	2	D7P-♣M22P▼	52.20	D7M-♣M22P▼	54.40
	Oper. Only	D7P-♣L22	18.80	D7M-♣L22	21.00
	1	D7P-♣L22P▼	38.50	D7M-♣L22P▼	40.70
	2	D7P-♣L22P▼	52.20	D7M-♣L22P▼	54.40
	Oper. Only	D7P-♣R22	18.80	D7M-♣R22	21.00
	1	D7P-♣R22P▼	38.50	D7M-♣R22P▼	40.70
	2	D7P-♣R22P▼	52.20	D7M-♣R22P▼	54.40

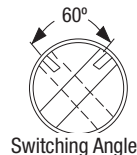
D7 Pilot Devices

Complete Kit Ordering Instructions ④

D7P	♣	M2	2	P	▼
Oper. Construction	Operator Type	Oper. Function	Knob Color	Mounting Latch	Contacts ⊕⊕
D7P - Plastic operator with plastic bezel (Type 4/4X/13, IP66) D7M - Metal operator with metal bezel (Type 4/13, IP66)	S - Standard knob H - Long knob ⊕ (add \$8.50)	M2 - Maintained, 60° switching angle L2 - Spring return from left, 60° R2 - Spring return from right, 60°	2 - Black knob, white insert	P - Plastic latch (D7P and D7M offered with plastic latch as standard) M - Metal latch Note: For metal latch add \$1.75	X10 - 1NO X01 - 1NC X20 - 2NO X02 - 2NC X11 - 1NO/1NC Add \$13.70 for each additional standard contact block

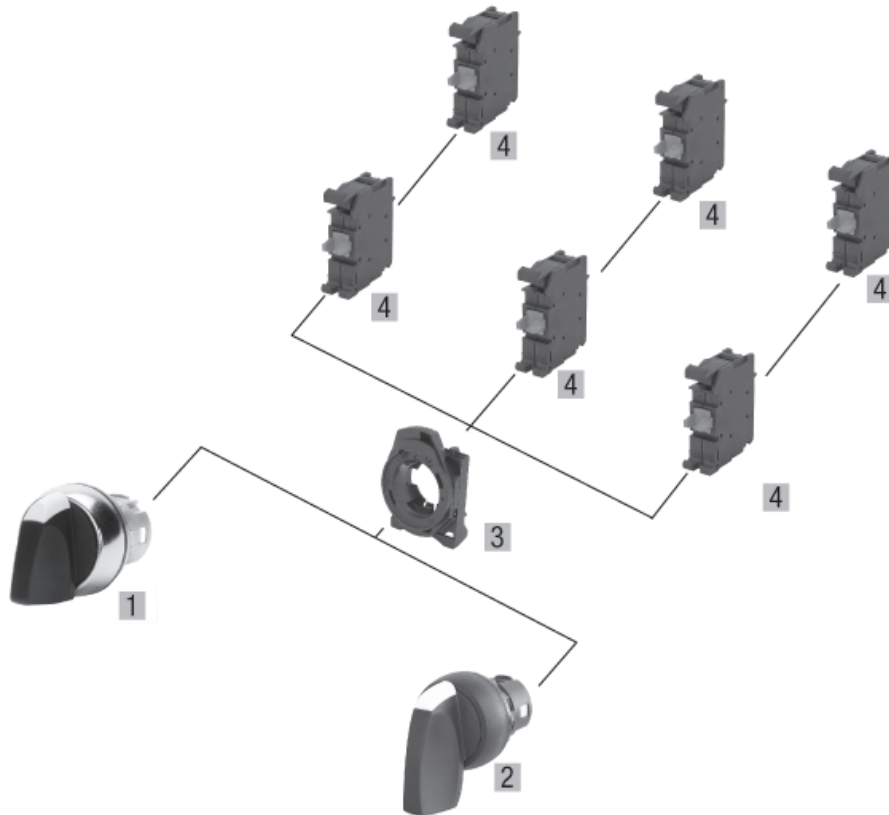
↻ Positive Opening per EN60947-5-1 (applies to all NC contact block styles)

Contact Type	Mounting Position on Latch		
NO	All slots	0	X
NC	All slots	X	0



- ① Legend plates sold separately. See page H74 for pricing.
- ② Up to 6 contact blocks (3 across / 2 high) can be attached.
- ③ See page H68 for complete kit ordering information on other special contact blocks: Early make, late break, low voltage, and screwless contact blocks.
- ④ Contact actuation is reversed for "L2" type switch.
- ⑤ 30mm hole spacing will not work if long knob lever is used. See page H85 for recommended operator panel spacing.

Two Position Selector Switches, Non-Illuminated (Components) ❶



Component	Catalog Number	Price Ea.	Pkg. Qty.
01 Standard knob, plastic operator, front bezel ❷			
Maintained 60° Black	D7P-SM22	18.80	1
Spring return from left, 60° Black	D7P-SL22		
Spring return from right, 60° Black	D7P-SR22		
Standard knob, shiny metal operator, front bezel ❷			
Maintained 60° Black	D7M-SM22	21.00	1
Spring return from left, 60° Black	D7M-SL22		
Spring return from right, 60° Black	D7M-SR22		
02 Long knob, plastic operator, front bezel ❷			
Maintained 60° Black	D7P-HM22	27.30	1
Spring return from left, 60° Black	D7P-HL22		
Spring return from right, 60° Black	D7P-HR22		
Long knob, shiny metal operator, front bezel ❷			
Maintained 60° Black	D7M-HM22	29.50	1
Spring return from left, 60° Black	D7M-HL22		
Spring return from right, 60° Black	D7M-HR22		

Component	Catalog Number	Price Ea.	Pkg. Qty.
03 Tool-less Mounting Latch (for snap-on contact blocks and power modules)			
Plastic Latch	D7-ALP	6.00	10
Metal Latch	D7-ALM		
04 Contact blocks ❷❸			
NO	D7-X10	13.70	10
NC	D7-X01		
NO, early make	D7-X10E		
NC, late break	D7-X01L		
NO, low voltage	D7-X10V	22.25	
NC, low voltage	D7-X01V		

❶ Legend plates sold separately. See page H74 for pricing.
 ❷ Up to 6 contact blocks (3 across / 2 high) can be attached.
 ❸ Screwless and dual circuit contact blocks available. See page H68 for ordering information.

❹ 90° offset knob operators for vertical mount enclosure are available. Add the "N" designation to selected operator part number. Example, D7P-SM22N, no price change.

Three Position Selector Switches, Non-Illuminated (Complete Kits) ①

Switching Positions	Contact Block(s) ⊕⊕	Plastic operator with plastic bezel		Metal operator with metal bezel	
		Catalog Number	Price	Catalog Number	Price
	Oper. Only	D7P-♣M32	18.80	D7M-♣M32	21.00
	2	D7P-♣M32P▼	52.20	D7M-♣M32P▼	54.40
	3	D7P-♣M32P▼	65.90	D7M-♣M32P▼	68.10
	Oper. Only	D7P-♣L32	18.80	D7M-♣L32	21.00
	2	D7P-♣L32P▼	52.20	D7M-♣L32P▼	54.40
	3	D7P-♣L32P▼	65.90	D7M-♣L32P▼	68.10
	Oper. Only	D7P-♣R32	18.80	D7M-♣R32	21.00
	2	D7P-♣R32P▼	52.20	D7M-♣R32P▼	54.40
	3	D7P-♣R32P▼	65.90	D7M-♣R32P▼	68.10
	Oper. Only	D7P-♣B32	18.80	D7M-♣B32	21.00
	2	D7P-♣B32P▼	52.20	D7M-♣B32P▼	54.40
	3	D7P-♣B32P▼	65.90	D7M-♣B32P▼	68.10

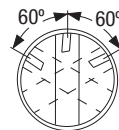
Complete Kit Ordering Instructions

D7P	–	♣	M3	2	P	▼
Oper. Construction D7P - Plastic operator with plastic bezel (Type 4/4X/13, IP66) D7M - Metal operator with metal bezel (Type 4/13, IP66)		Operator Type S - Standard knob H - Long knob ④ (add \$8.50)	Oper. Function M3 - Maintained, 60° switching angle Spring return L3 - from left, 60° Spring return R3 - from right, 60° Spring return B3 - from left and right, 60°	Knob Color 2 - Black knob, white insert	Mounting Latch P - Plastic latch (D7P and D7M offered with plastic latch as standard) M - Metal latch Note: For metal latch add \$1.75	Contacts ⊕⊕ X10 - 1NO X01 - 1NC → X20 - 2NO X02 - 2NC X11 - 1NO/1NC X30 - 3NO X03 - 3NC X21 - 2NO/1NC X12 - 1NO/2NC Add \$13.70 for each additional standard contact block

→ Positive Opening per EN60947-5-1 (applies to all NC contact block styles)

Contact Development Table

Contact Type	Mounting Position on Latch			
NO	Left (slot 1)	X	0	0
NO	Center (slot 3)	X	0	X
NO	Right (slot 2)	0	0	X
NC	Left (slot 1)	0	X	X
NC	Center (slot 3)	0	X	0
NC	Right (slot 2)	X	X	0
Special Center Activation ⑤				
NO	Center CL	X	0	0
NO	Center CR	0	0	X
NC	Center CL	0	X	X
NC	Center CR	X	X	0

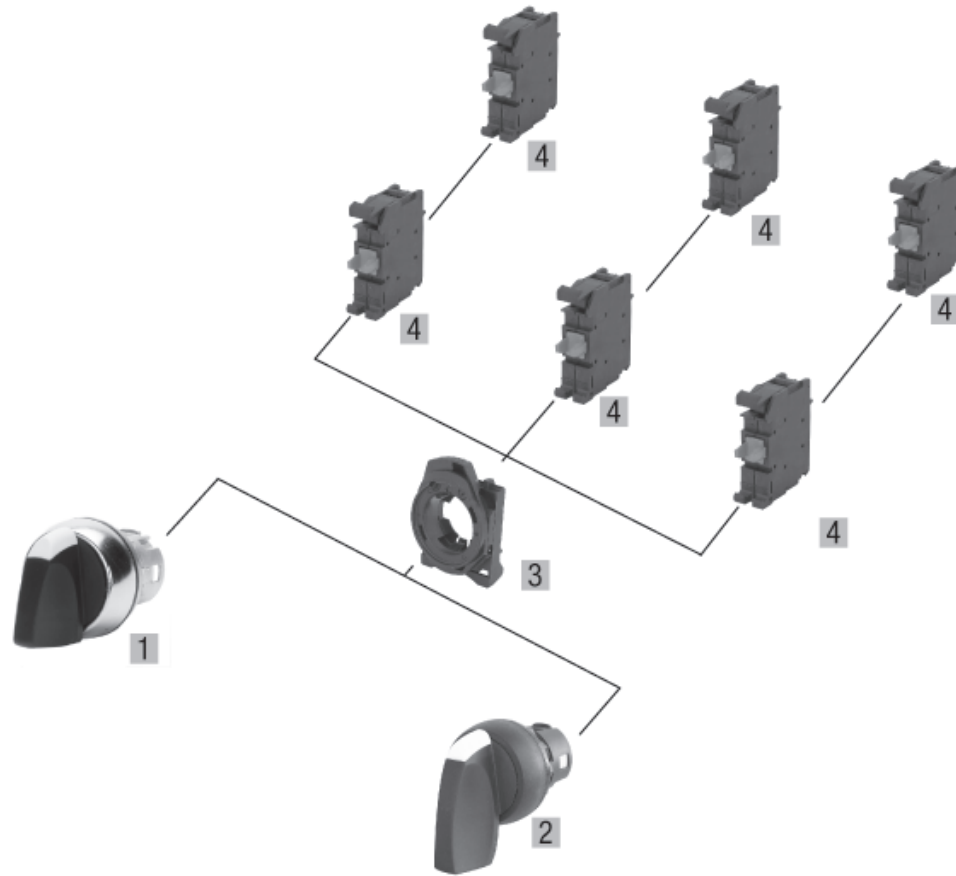


Switching Angle

- ① Legend plates sold separately. See page H74 for pricing.
- ② Up to 6 contact blocks (3 across / 2 high) can be attached.
- ③ See page H72 for complete kit ordering information on other special contact blocks: Early make, late break, low voltage, and screwless contact blocks.

- ④ 30mm hole spacing will not work if long knob lever is used. See page H85 for recommended operator panel spacing.
- ⑤ Standard operators not available for Center position activation (CL/CR). Modification can be field installed with accessory item D7-ACP for center position activation. See Accessory page H66 to order.

Three Position Selector Switches, Non-Illuminated (Components) ①

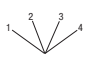


Component	Catalog Number	Price Ea.	Pkg. Qty.
01 Standard knob, plastic front bezel ④			
Maintained 60°	Black D7P-SM32	18.80	1
Spring return from left, 60°	Black D7P-SL32		
Spring return from right, 60°	Black D7P-SR32		
Spring return from left and right, 60°	Black D7P-SB32		
Standard knob, shiny metal front bezel ④			
Maintained 60°	Black D7M-SM32	21.00	1
Spring return from left, 60°	Black D7M-SL32		
Spring return from right, 60°	Black D7M-SR32		
Spring return from left and right, 60°	Black D7M-SB32		
02 Long knob, plastic front bezel ④			
Maintained 60°	Black D7P-HM32	27.30	1
Spring return from left, 60°	Black D7P-HL32		
Spring return from right, 60°	Black D7P-HR32		
Spring return from left and right, 60°	Black D7P-HB32		
Long knob, shiny metal front bezel ④			
Maintained 60°	Black D7M-HM32	29.50	1
Spring return from left, 60°	Black D7M-HL32		
Spring return from right, 60°	Black D7M-HR32		
Spring return from left and right, 60°	Black D7M-HB32		

Component	Catalog Number	Price Ea.	Pkg. Qty.
03 Tool-less Mounting Latch (for snap-on contact blocks and power modules)			
Plastic Latch	D7-ALP	6.00	10
Metal Latch	D7-ALM	7.75	
04 Contact blocks ②③			
NO	D7-X10	13.70	10
NC	D7-X01		
NO, early make	D7-X10E		
NC, late break	D7-X01L		
NO, low voltage	D7-X10V	22.25	
NC, low voltage	D7-X01V		

- ① Legend plates sold separately. See page H74 for pricing.
- ② Up to 6 contact blocks (3 across / 2 high) can be attached.
- ③ Screwless and dual circuit contact blocks available. See page H68 for ordering information.
- ④ 90° offset knob operators for vertical mount enclosure are available. Add the "N" designation to selected operator part number. Example, D7P-SM32N, no price change.

Four Position Selector Switches, Non-Illuminated (Operator Only) ①




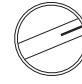
Switching Positions	Plastic operator with plastic bezel		Metal operator with metal bezel	
	Catalog Number	Price	Catalog Number	Price
	D7P-SM42	18.80	D7M-SM42	21.00

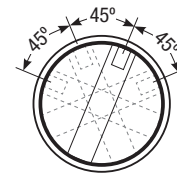
Important Note: Cannot use N.C. or N.O.E.M contact blocks with 4-position selector switch. Contact blocks and mounting latches sold separately, see next page to order.

Ordering Instructions (Operator Only)

D7P	–	S	M4	2
Oper. Construction		Operator Type	Oper. Function	Knob Color
D7P - Plastic operator with plastic bezel (Type 4/4X/13, IP66)		S - Standard knob H - Long knob (add \$8.50)	M4 - Maintained 45° switching angle	2 - Black knob white insert
D7M - Metal operator with metal bezel (Type 4/13, IP66)				

Target Table and Operator Positions ②③

Contact Type	Catalog Number	Position on Mounting Latch				
N.O.	D7-X10	Left	0	0	X	0
		Right	X	0	0	0
		Center	X	0	X	0
N.C.E.B.	D7-X01B	Left	0	0	0	X
		Right	0	X	0	0
N.C.L.B.	D7-X01L	Left	X	X	0	X
		Right	0	X	X	X
		Center	0	X	0	X
Special Center Activation ④						
N.O.	D7-X10	Center CL	0	0	X	0
		Center CR	X	0	0	0
N.C.E.B.	D7-X01B	Center CL	0	0	0	X
		Center CR	0	X	0	0
N.C.L.B.	D7-X01L	Center CL	X	X	0	X
		Center CR	0	X	X	X

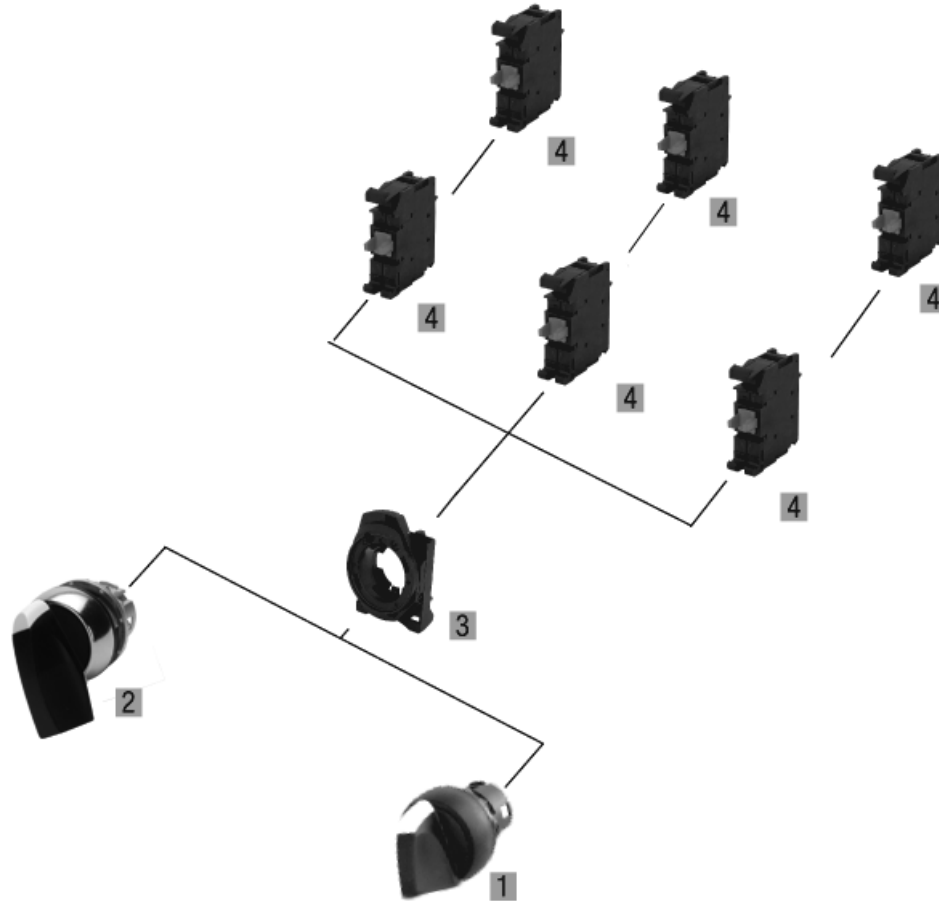


Switching Angle

Note: X = Closed/O = Open

- ① Legend plates sold separately. See page H74 for pricing.
- ② Up to 6 contact blocks (3 across / 2 high) can be attached.
- ③ Cannot use N.C. or N.O.E.M contact blocks with 4-position selector switch. Must use N.O. , N.C.E.B., or N.C.L.B. contact blocks. Contact blocks and mounting latches sold separately, see next page to order.
- ④ Standard operators not available for Center position activation (CL/CR). Modification can be field installed with accessory item D7-ACP for center position activation. See accessory page H66 to order.

Four Position Selector Switches, Non-Illuminated (Components) ❶



Component	Catalog Number	Price Ea.	Pkg. Qty.
01 Standard Knob, plastic front bezel ❶ Maintained	Black D7P-SM42	18.80	1
Standard Knob, metal front bezel ❶ Maintained	Black D7M-SM42	21.00	
02 Long Knob, plastic front bezel ❶ Maintained	Black D7P-HM42	27.30	1
Long Knob, metal front bezel ❶ Maintained	Black D7M-HM42	29.50	
03 Tool-less Mounting Latch (for snap-on contact blocks and power modules)			10
Plastic Latch	D7-ALP	6.00	
Metal Latch	D7-ALM	7.75	
04 Contact blocks ❷❸			10
NO	D7-X10	13.70	
NC late break (N.C.L.B.)	D7-X01L		
NC early break (N.C.E.B.)	D7-X01B	22.25	

- ❶ Legend plates sold separately. See page H74 for pricing.
- ❷ Up to 6 contact blocks (3 across / 2 high) can be attached.
- ❸ Cannot use N.C. or N.O.E.M contact blocks with 4-position selector switch.

Two Position Selector Switches, Illuminated (Complete Kits) ①②③④

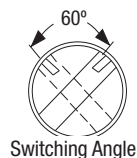
Switching Positions	Contact Block(s) ②③	Power Module Type	Plastic operator with plastic bezel		Metal operator with metal bezel	
			Catalog Number	Price	Catalog Number	Price
M2 	Oper. Only	Oper. Only	D7P-LSM2④	22.25	D7M-LSM2④	24.25
	1	LED Integral	D7P-LSM2④P▲▼	81.30	D7M-LSM2④P▲▼	83.30
	2	LED Integral	D7P-LSM2④P▲▼	95.00	D7M-LSM2④P▲▼	97.00
L2 	Oper. Only	Oper. Only	D7P-LSL2④	22.25	D7M-LSL2④	24.25
	1	LED Integral	D7P-LSL2④P▲▼	81.30	D7M-LSL2④P▲▼	83.30
	2	LED Integral	D7P-LSL2④P▲▼	95.00	D7M-LSL2④P▲▼	97.00
R2 	Oper. Only	Oper. Only	D7P-LSR2④	22.25	D7M-LSR2④	24.25
	1	LED Integral	D7P-LSR2④P▲▼	81.30	D7M-LSR2④P▲▼	83.30
	2	LED Integral	D7P-LSR2④P▲▼	95.00	D7M-LSR2④P▲▼	97.00

Complete Kit Ordering Instructions

D7P –	LS	M2	★	P	♠	▼
Oper. Construction D7P - Plastic operator with plastic bezel (Type 4/4X/13, IP66) D7M - Metal operator with metal bezel (Type 4/13, IP66)	Operator Type LS - Standard knob LH - Long knob (Add \$8.50) ⑥	Oper. Function M2 - Maintained, 60° switching angle L2 - Spring return from left, 60° R2 - Spring return from right, 60°	Knob Color 0 - Amber/White insert 3 - Green/White insert 4 - Red/White insert 5 - Yellow/Black insert 6 - Blue/White insert 7 - Clear/Black insert	Mounting Latch P - Plastic latch (D7P and D7M offered with plastic latch as standard) M - Metal latch Note: For metal latch add \$1.75	Power Module <i>Integral LED module</i> N3x, 24V AC/DC N5x, 120V AC N7x, 240V AC	Contacts ②③ X10 - 1NO X01 - 1NC (↔) X20 - 2NO X02 - 2NC X11 - 1NO/1NC <i>Add \$13.70 for each additional standard contact block</i>

↔ Positive Opening per EN60947-5-1 (applies to all NC contact block styles)

Contact Type	Mounting Position on Latch		
NO ④	All slots	0	X
NC ④	All slots	X	0



For lens color...	replace "x" with...
Green	G
Red	R
Amber Yellow Blue Clear	W

① Legend plates sold separately. See page H74 for pricing.

② Up to 4 contact blocks can be attached.

③ See page H72 for complete kit ordering information on other special contact blocks and power modules.

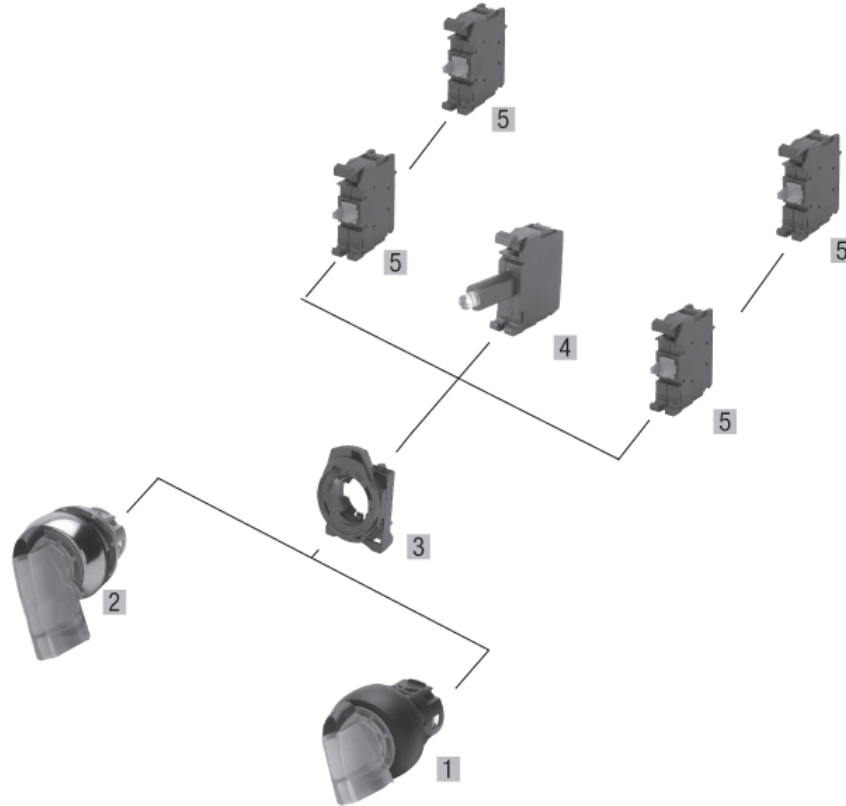
④ Contact actuation is reversed for "L2" type switch.

⑤ LED Module required for illumination, cannot use incandescent module.

⑥ Only available in clear knob color.

⑦ Crevices may exist on product that may be unsuitable for certain applications. Please consult your Sprecher + Schuh representative.

Two Position Selector Switches, Illuminated (Components) ❶



Component	Catalog Number	Price Ea.	Pkg. Qty.
01 Standard knob, plastic front bezel ❸❹ Maintained 60° Spring return from left, 60° Spring return from right, 60°	D7P-LSM2z D7P-LSL2z D7P-LSR2z	22.25	1
Standard knob, metal front bezel ❸❹ Maintained 60° Spring return from left, 60° Spring return from right, 60°	D7M-LSM2z D7M-LSL2z D7M-LSR2z	24.25	1
02 Long knob, plastic front bezel ❸ Maintained 60° Spring return from left 60° Spring return from right 60°	Clear D7P-LHM27 Clear D7P-LHL27 Clear D7P-LHR27	30.75	1
Long knob, metal front bezel ❸ Maintained 60° Spring return from left 60° Spring return from right 60°	Clear D7M-LHM27 Clear D7M-LHL27 Clear D7M-LHR27	32.75	1

Component	Catalog Number	Price Ea.	Pkg. Qty.
03 Tool-less Mounting Latch (for snap-on contact blocks and power modules) Plastic Latch Metal Latch	D7-ALP D7-ALM	6.00 7.75	10
04 Power Module, Integral LED ❸❹ 24V AC/DC 120V AC 240V AC	D7-N3x D7-N5x D7-N7x	39.35	10
05 Contact blocks ❸❹ NO NC NO, early make NC, late break NO, low voltage NC, low voltage	D7-X10 D7-X01 D7-X10E D7-X01L D7-X10V D7-X01V	13.70 22.25	10

- ❶ Legend plates sold separately. See page H74 for pricing.
- ❷ Up to 4 contact blocks can be attached.
- ❸ Screwless and dual circuit contact blocks available. See Accessories page H68 for ordering information.
- ❹ 90° offset knob operators for vertical mount enclosure are available. Add the "N" designation to selected operator part number. Example, D7P-SM22N, no price change.
- ❺ To complete the catalog no., replace the x with one of the codes on the previous page.
- ❻ To complete the catalog no., replace the z with one of the following letters for desired color: 0 = Amber, 3 = Green, 4 = Red, 5 = Yellow, 6 = Blue, 7 = Clear. LED Module required for illumination, cannot use incandescent module.

Three Position Selector Switches, Illuminated (Complete Kits) ①④⑤

Switching Positions	Contact Block(s) ②③	Lamp Element Type	Plastic operator with plastic bezel		Metal operator with metal bezel	
			Catalog Number	Price	Catalog Number	Price
 M3	Oper. Only	Oper. Only	D7P-LSM3④	22.25	D7M-LSM3④	24.25
	2	LED Integral	D7P-LSM3④P▲▼	95.00	D7M-LSM3④P▲▼	97.00
 L3	Oper. Only	Oper. Only	D7P-LSL3④	22.25	D7M-LSL3④	24.25
	2	LED Integral	D7P-LSL3④P▲▼	95.00	D7M-LSL3④P▲▼	97.00
 R3	Oper. Only	Oper. Only	D7P-LSR3④	22.25	D7M-LSR3④	24.25
	2	LED Integral	D7P-LSR3④P▲▼	95.00	D7M-LSR3④P▲▼	97.00
 B3	Oper. Only	Oper. Only	D7P-LSB3④	22.25	D7M-LSB3④	24.25
	2	LED Integral	D7P-LSB3④P▲▼	95.00	D7M-LSB3④P▲▼	97.00

D7 Pilot Devices

Complete Kit Ordering Instructions

D7P –	LS	M3	★	P	♠	▼
Oper. Construction D7P - Plastic operator with plastic bezel (Type 4/4X/13, IP66) D7M - Metal operator with metal bezel (Type 4/13, IP66)	Operator Type LS - Standard knob LH - Long knob (Add \$8.50) ③	Oper. Function M3 - Maintained, 60° switching angle L3 - Spring return from left, 60° R3 - Spring return from right, 60° B3 - Spring return from left and right, 60°	Knob Color 0 - Amber/White insert 3 - Green/White insert 4 - Red/White insert 5 - Yellow/Black insert 6 - Blue/White insert 7 - Clear/Black insert	Mounting Latch P - Plastic latch (D7P and D7M offered with plastic latch as standard) M - Metal latch Note: For metal latch add \$1.75	Power Module Integral LED module N3x, 24V AC/DC N5x, 120V AC N7x, 240V AC	Contacts ②③ X20 - 2NO X02 - 2NC (↻) X11 - 1NO/NC Add \$13.70 for each additional standard contact block

↻ Positive Opening per EN60947-5-1 (applies to all NC contact block styles)

Contact Type	Mounting Position on Latch			
NO	Left (slot 1)	X	0	0
NO	Right (slot 2)	0	0	X
NC	Left (slot 1)	0	X	X
NC	Right (slot 2)	X	X	0



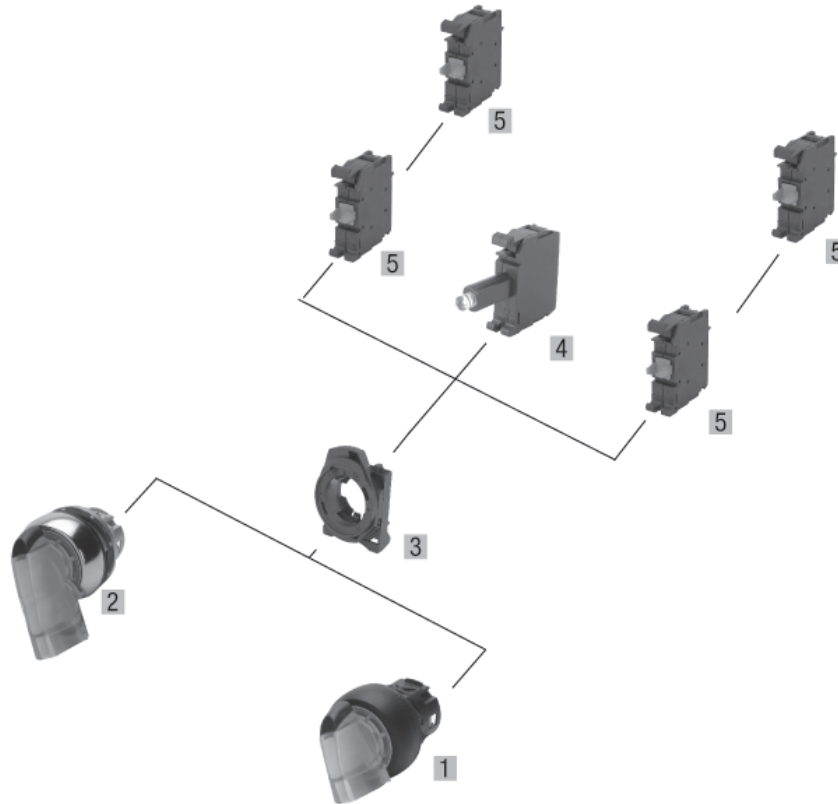
Switching Angle

For lens color...	replace "x" with...
Green	G
Red	R
Amber Yellow Blue Clear	W

- ① Legend plates sold separately. See page H74 for pricing.
- ② Up to 4 contact blocks can be attached.
- ③ See page H72 for complete kit ordering information on other special contact blocks and power modules.

- ④ LED Module required for illumination, cannot use incandescent module.
- ⑤ Crevices may exist on product that may be unsuitable for certain applications. Please consult your Sprecher + Schuh representative.
- ⑥ Available in Clear/Black knob color only.

Three Position Selector Switches, Illuminated (Components) ❶



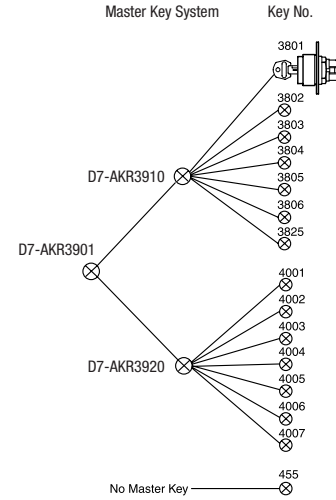
Component	Catalog Number	Price Ea.	Pkg. Qty.
01 Standard knob, plastic front bezel ❹❺ Maintained 60° Spring return from left, 60° Spring return from right, 60° Spring return from left and right, 60° Standard knob, metal front bezel ❹❺ Maintained 60° Spring return from left, 60° Spring return from right, 60° Spring return from left and right, 60°	D7P-LSM3z D7P-LSL3z D7P-LSR3z D7P-LSB3z	22.25	1
02 Long knob, plastic front bezel Maintained 60° Spring return from left, 60° Spring return from right, 60° Spring return from left and right, 60° Long knob, metal front bezel Maintained 60° Spring return from left, 60° Spring return from right, 60° Spring return from left and right, 60°	D7P-LHM37 D7P-LHL37 D7P-LHR37 D7P-LHB37 D7M-LHM37 D7M-LHL37 D7M-LHR37 D7M-LHB37	30.75	1

Component	Catalog Number	Price Ea.	Pkg. Qty.
03 Tool-less Mounting Latch (for snap-on contact blocks and power modules) Plastic Latch Metal Latch	D7-ALP D7-ALM	6.00 7.75	10
04 Power Module, Integral LED ❸❹ 24V AC/DC 120V AC 240V AC	D7-N3x D7-N5x D7-N7x	39.35	10
05 Contact blocks ❷❹ NO NC NO, early make NC, late break NO, low voltage NC, low voltage	D7-X10 D7-X01 D7-X10E D7-X01L D7-X10V D7-X01V	13.70 22.25	10

- ❶ Legend plates sold separately. See page H74 for pricing.
- ❷ Up to 4 contact blocks can be attached.
- ❸ Screwless and dual circuit contact blocks available. See Accessories page H68 for ordering information.
- ❹ 90° offset knob operators for vertical mount enclosure are available. Add the "N" designation to selected operator part number. Example, D7P-SM32N, no price change.
- ❺ To complete the catalog no., replace the x with one of the codes on the previous page.
- ❻ To complete the catalog no., replace the z with one of the following letters for desired color: 0 = Amber, 3 = Green, 4 = Red, 5 = Yellow, 6 = Blue, 7 = Clear. LED Module required for illumination, cannot use incandescent module.

Two Position Key Operated Selector Switches (Complete Kits) ①②

Switching Positions	Contact Block(s) ③④	Plastic operator with plastic bezel		Metal operator with metal bezel	
		Catalog Number	Price	Catalog Number	Price
M2 	Oper. Only	D7P-KM2	54.50	D7M-KM2	57.00
	1	D7P-KM2P	74.20	D7M-KM2P	76.70
	2	D7P-KM2P	87.90	D7M-KM2P	90.40
L2 	Oper. Only	D7P-KL2	54.50	D7M-KL2	57.00
	1	D7P-KL2P	74.20	D7M-KL2P	76.70
	2	D7P-KL2P	87.90	D7M-KL2P	90.40
R2 	Oper. Only	D7P-KR2	54.50	D7M-KR2	57.00
	1	D7P-KR2P	74.20	D7M-KR2P	76.70
	2	D7P-KR2P	87.90	D7M-KR2P	90.40

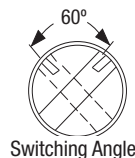


Complete Kit Ordering Instructions

D7P	–	KM2	★	♣	P	▼
Oper. Construction		Operator Type	Key Removal ⑥	Key Code	Mounting Latch	Contacts ③④
D7P - Plastic operator with plastic bezel (Type 4/13, IP66)		KM2 - Maintained, 60° switching angle, "Ronis" lock	1 - Left 2 - Right 3 - Both	<i>Omit this position for a standard key (3825)</i> Ronis Key Lock	P - Plastic latch <i>(D7P and D7M offered with plastic latch as standard)</i>	X10 - 1NO X01 - 1NC X20 - 2NO X02 - 2NC X11 - 1NO/1NC
D7M - Metal operator with metal bezel (Type 4/13, IP66)		KL2 - Spring return from left, 60°, "Ronis" lock KR2 - Spring return from right, 60°, "Ronis" lock		Key Code Key No.	M - Metal latch Note: For metal latch add \$1.75	<i>Add \$13.70 for each additional standard contact block</i>
				Blank 3825 (Standard)		
				R 455		
				01R 3801		
				02R 3802		
				03R 3803		
				04R 3804		
				05R 3805		
				06R 3806		
				27R 4001		
				28R 4002		
				29R 4003		
				30R 4004		
				31R 4005		
				32R 4006		
				33R 4007		

➔ Positive Opening per EN60947-5-1 (applies to all NC contact block styles)

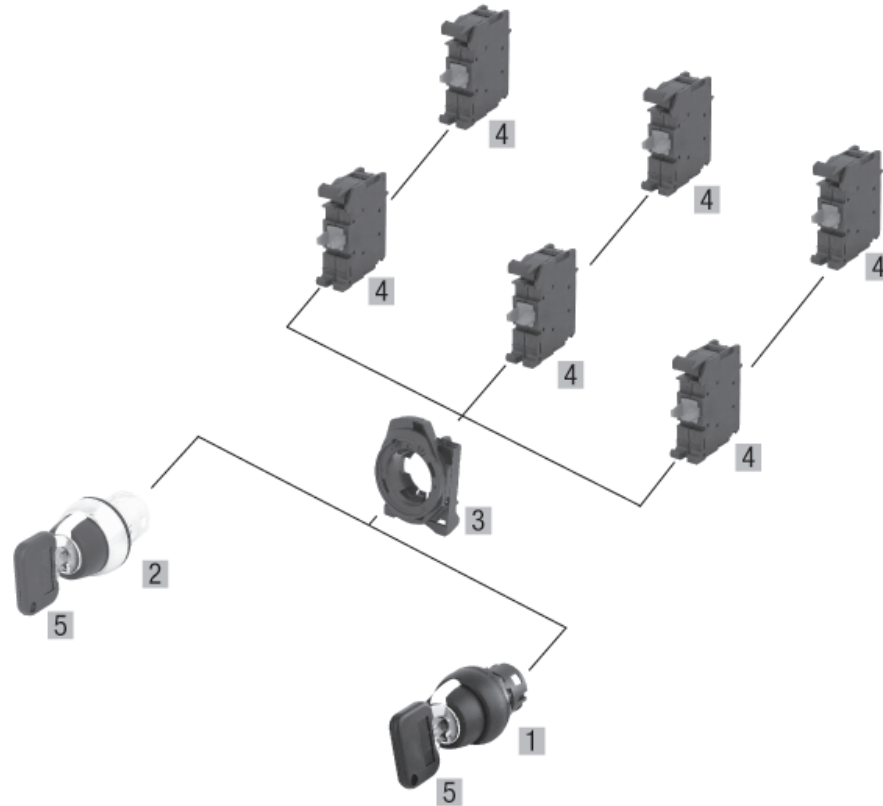
Contact Type	Mounting Position on Latch		
NO ③	All slots	0	X
NC ④	All slots	X	0



- ① Legend plates sold separately. See page H74 for pricing.
- ② Not intended for high security applications. Interoperability is possible with certain key/cylinder lock combinations.
- ③ Up to 6 contact blocks (3 across / 2 high) can be attached.

- ④ See page H72 for complete kit ordering information on other special contact blocks: Early make, late break, low voltage, and screwless contact blocks.
- ⑤ Key removal from maintained position only.
- ⑥ Contact actuation is reversed for "L2" type switch.

Two Position Key Operated Selector Switches (Components) ①



Component	Catalog Number	Price Ea.	Pkg. Qty.
01 Plastic operator with plastic bezel, keyed, "Ronus" lock Maintained 60° Spring return from left, 60° Spring return from right, 60°	D7P-KM2 ☹☹ D7P-KL2 ☹☹ D7P-KR2 ☹☹	54.50	1
02 Standard knob, shiny metal front bezel, keyed, "Ronus" lock Maintained 60° Spring return from left, 60° Spring return from right, 60°	D7M-KM2 ☹☹ D7M-KL2 ☹☹ D7M-KR2 ☹☹	57.00	1
03 Tool-less Mounting Latch (for snap-on contact blocks and power modules) Plastic Latch Metal Latch	D7-ALP D7-ALM	6.00 7.75	10
04 Contact blocks ☹☹ NO NC NO, early make NC, late break NO, low voltage NC, low voltage	D7-X10 D7-X01 D7-X10E D7-X01L D7-X10V D7-X01V	13.70 22.25	10

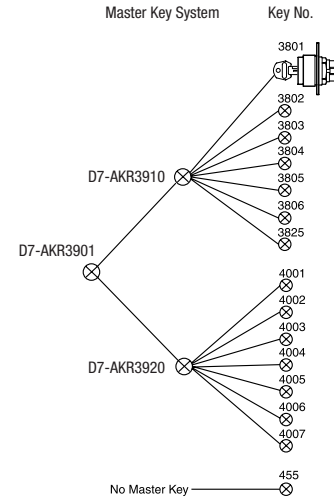
Component	Catalog Number	Pkg. Price	Pkg. Qty.
05 Replacement Keys ☹ Ronis 3825 (standard key) Ronis 455 Ronis 3801 Ronis 3802 Ronis 3803 Ronis 3804 Ronis 3805 Ronis 3806 Ronis 4001 Ronis 4002 Ronis 4003 Ronis 4004 Ronis 4005 Ronis 4006 Ronis 4007 Ronis 3901 ④ Ronis 3910 ④ Ronis 3920 ④	D7-AKR3825 D7-AKR455 D7-AKR3801 D7-AKR3802 D7-AKR3803 D7-AKR3804 D7-AKR3805 D7-AKR3806 D7-AKR4001 D7-AKR4002 D7-AKR4003 D7-AKR4004 D7-AKR4005 D7-AKR4006 D7-AKR4007 D7-AKR3901 D7-AKR3910 D7-AKR3920	16.00	1 set
<i>Note: Minimum order quantity is one package of 2 keys.</i>			

See "Complete Assembly Ordering Instructions" chart on opposite page to determine "Key Removal" (☹) and "Key Codes" (☹) if applicable.

- ① Legend plates sold separately. See page H74 for pricing.
- ② Up to 6 contact blocks (3 across / 2 high) can be attached.
- ③ Screwless and dual circuit contact blocks available. See page H68 for ordering information.
- ④ Master keys. See diagram on previous page for master key system details.
- ⑤ Minimum order quantity is one package of 2 keys.

Three Position Key Operated Selector Switches (Complete Kits) ①②

Switching Positions	Contact Block(s)	Plastic operator with plastic bezel		Metal operator with metal bezel		
		Catalog Number	Price	Catalog Number	Price	
	Oper. Only	D7P-KM3♣	54.50	D7M-KM3♣	57.00	
		2	D7P-KM3♣P▼	87.90	D7M-KM3♣P▼	90.40
		3	D7P-KM3♣P▼	101.60	D7M-KM3♣P▼	104.10
	Oper. Only	D7P-KL3♣	54.50	D7M-KL3♣	57.00	
		2	D7P-KL3♣P▼	87.90	D7M-KL3♣P▼	90.40
		3	D7P-KL3♣P▼	101.60	D7M-KL3♣P▼	104.10
	Oper. Only	D7P-KR3♣	54.50	D7M-KR3♣	57.00	
		2	D7P-KR3♣P▼	87.90	D7M-KR3♣P▼	90.40
		3	D7P-KR3♣P▼	101.60	D7M-KR3♣P▼	104.10
	Oper. Only	D7P-KB3♣	54.50	D7M-KB3♣	57.00	
		2	D7P-KB3♣P▼	87.90	D7M-KB3♣P▼	90.40
		3	D7P-KB3♣P▼	101.60	D7M-KB3♣P▼	104.10

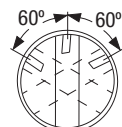


Complete Kit Ordering Instructions

D7P –	KM3	★	♣	P	▼																																
Oper. Construction D7P - Plastic operator with plastic bezel (Type 4/4X/13, IP66) D7M - Metal operator with metal bezel (Type 4/13, IP66)	Operator Type KM3 - Maintained, 60° switching angle, "Ronus" lock KL3 - Spring return from left, 60° switching angle, "Ronus" lock KR3 - Spring return from right, 60° switching angle, "Ronus" lock KB3 - Spring return from left and right, 60° switching angle, "Ronus" lock	Key Removal ⑥ 1 - Left 3 - All 4 - Center 5 - Left/Center 7 - Center/Right ⑦	Key Code <i>Omit this position for a standard key (3825)</i> Ronis Key Lock <table border="1"> <thead> <tr> <th>Key Code</th> <th>Key No.</th> </tr> </thead> <tbody> <tr><td>Blank</td><td>3825 (Standard)</td></tr> <tr><td>R</td><td>455</td></tr> <tr><td>01R</td><td>3801</td></tr> <tr><td>02R</td><td>3802</td></tr> <tr><td>03R</td><td>3803</td></tr> <tr><td>04R</td><td>3804</td></tr> <tr><td>05R</td><td>3805</td></tr> <tr><td>06R</td><td>3806</td></tr> <tr><td>27R</td><td>4001</td></tr> <tr><td>28R</td><td>4002</td></tr> <tr><td>29R</td><td>4003</td></tr> <tr><td>30R</td><td>4004</td></tr> <tr><td>31R</td><td>4005</td></tr> <tr><td>32R</td><td>4006</td></tr> <tr><td>33R</td><td>4007</td></tr> </tbody> </table>	Key Code	Key No.	Blank	3825 (Standard)	R	455	01R	3801	02R	3802	03R	3803	04R	3804	05R	3805	06R	3806	27R	4001	28R	4002	29R	4003	30R	4004	31R	4005	32R	4006	33R	4007	Mounting Latch P - Plastic latch (D7P and D7M offered with plastic latch as standard) M - Metal latch <i>Note: For metal latch add \$1.75</i>	Contacts ⑧⑨ X20 - 2NO X02 - 2NC X11 - 1NO/1NC X30 - 3NO X03 - 3NC X21 - 2NO/1NC X12 - 1NO/2NC <i>Add \$13.70 for each additional standard contact block</i>
Key Code	Key No.																																				
Blank	3825 (Standard)																																				
R	455																																				
01R	3801																																				
02R	3802																																				
03R	3803																																				
04R	3804																																				
05R	3805																																				
06R	3806																																				
27R	4001																																				
28R	4002																																				
29R	4003																																				
30R	4004																																				
31R	4005																																				
32R	4006																																				
33R	4007																																				

⑧ Positive Opening per EN60947-5-1 (applies to all NC contact block styles)

Contact Type	Mounting Position on Latch			
NO	Left (slot 1)	X	0	0
NO	Center (slot 3)	X	0	X
NO	Right (slot 2)	0	0	X
NC	Left (slot 1)	0	X	X
NC	Center (slot 3)	0	X	0
NC	Right (slot 2)	X	X	0



Switching Angle

① Legend plates sold separately. See page H74 for pricing.

② Not intended for high security applications. Interoperability is possible with certain key/cylinder lock combinations interoperability information.

⑧ Up to 6 contact blocks (3 across / 2 high) can be attached.

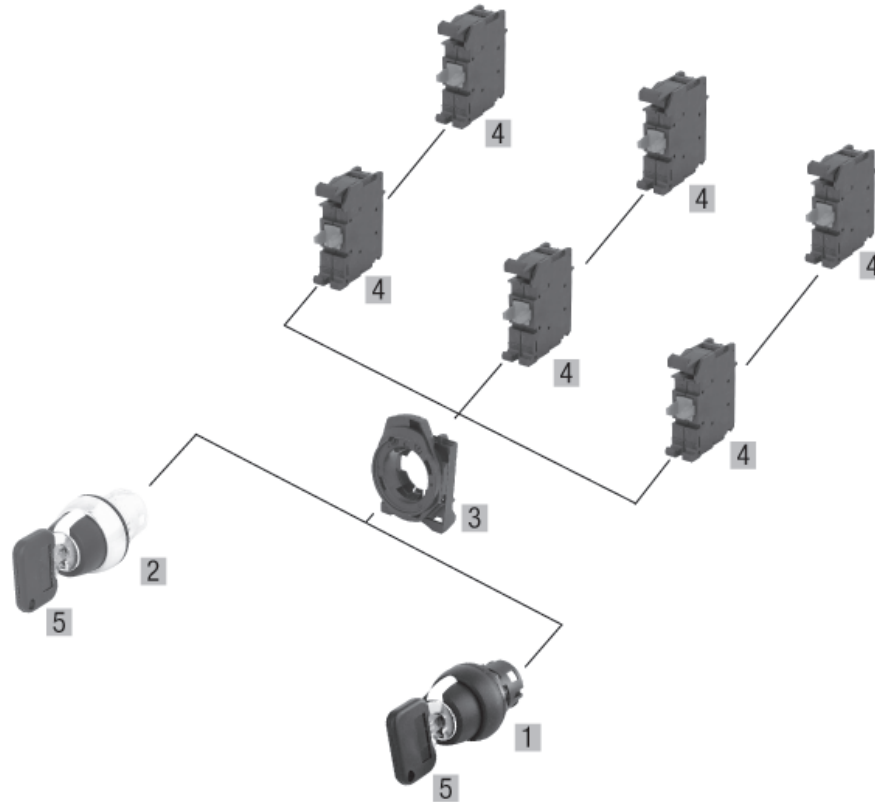
⑨ See page H72 for complete kit ordering information on other special contact blocks: Early make, late break, low voltage, and screwless contact blocks.

⑥ Key removal from maintained position only.

⑦ Contact actuation is reversed for "L3" type switch.

⑦ Key removal position only valid with operator types D7-KM3 and D7-KL3.

Three Position Key Operated Selector Switches (Components) ❶



Component	Catalog Number	Price Ea.	Pkg. Qty.
01 Plastic operator with plastic bezel, keyed, "Ronus" lock Maintained 60° Spring return from left, 60° Spring return from right, 60° Spring return from left and right, 60°	D7P-KM3 ⓈⓂ D7P-KL3 ⓈⓂ D7P-KR3 ⓈⓂ D7P-KB3 ⓈⓂ	54.50	1
02 Standard knob, shiny metal front bezel, keyed, "Ronus" lock Maintained 60° Spring return from left, 60° Spring return from right, 60° Spring return from left and right, 60°	D7M-KM3 ⓈⓂ D7M-KL3 ⓈⓂ D7M-KR3 ⓈⓂ D7M-KB3 ⓈⓂ	57.00	1
03 Tool-less Mounting Latch (for snap-on contact blocks and power modules) Plastic Latch Metal Latch	D7-ALP D7-ALM	6.00 7.75	10
04 Contact blocks ❷ NO NC NO, early make NC, late break NO, low voltage NC, low voltage	D7-X10 D7-X01 D7-X10E D7-X01L D7-X10V D7-X01V	13.70 22.25	10

Component	Catalog Number	Pkg. Price	Pkg. Qty.
05 Replacement Keys ❸ Ronis 3825 (standard key) Ronis 455 Ronis 3801 Ronis 3802 Ronis 3803 Ronis 3804 Ronis 3805 Ronis 3806 Ronis 4001 Ronis 4002 Ronis 4003 Ronis 4004 Ronis 4005 Ronis 4006 Ronis 4007 Ronis 3901 ❹ Ronis 3910 ❹ Ronis 3920 ❹	D7-AKR3825 D7-AKR455 D7-AKR3801 D7-AKR3802 D7-AKR3803 D7-AKR3804 D7-AKR3805 D7-AKR3806 D7-AKR4001 D7-AKR4002 D7-AKR4003 D7-AKR4004 D7-AKR4005 D7-AKR4006 D7-AKR4007 D7-AKR3901 D7-AKR3910 D7-AKR3920	16.00	1 set
<i>Note: Minimum order quantity is one package of 2 keys.</i>			

See "Complete Assembly Ordering Instructions" chart on opposite page to determine "Key Removal" (Ⓢ) and "Key Codes" (Ⓜ) if applicable.

- ❶ Legend plates sold separately. See page H74 for pricing.
- ❷ Up to 6 contact blocks (3 across / 2 high) can be attached.
- ❸ Screwless and dual circuit contact blocks available. See page H68 for ordering information.
- ❹ Master keys. See diagram on previous page for master key system details.
- ❺ Minimum order quantity is one package of 2 keys.

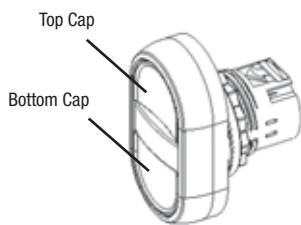
Multifunction Pushbuttons, Quick Order Guide (see following pages for Build Your Own part number matrix)

Two Position, Non-Illuminated										Plastic operator with plastic bezel		Metal operator with metal bezel	
Position A (Bottom)			Position C (Top)			Contacts							
Color	Type	Text	Color	Type	Text	N.O.	N.C.						
Red	Extended	Blank	Green	Flush	Blank	1	1	D7P-U2E4F3PX11	52.20	D7M-U2E4F3PX11	57.40		
		0			I	1	1	D7P-U2EFFEPX11	59.10	D7M-U2EFFEPX11	64.30		
		STOP			START	1	1	D7P-U2EBFAPX11	59.10	D7M-U2EBFAPX11	64.30		
Red	Extended	Blank	Green	Flush	Blank	Operator Only		D7P-U2E4F3	18.80	D7M-U2E4F3	24.00		
		0			I		D7P-U2EFFE	25.70	D7M-U2E4F3	30.90			
		STOP			START		D7P-U2EBFA	25.70	D7M-U2EFFE	30.90			

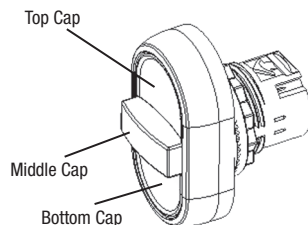
Three Position, Non-Illuminated										Plastic operator with plastic bezel		Metal operator with metal bezel		
Position A (Bottom)			Position B (Middle)			Position C (Top)			Contacts					
Color	Type	Text	Color	Type	Text	Color	Type	Text	N.O.	N.C.				
Green	Flush	Blank	Red	Extended	Blank	Green	Flush	Blank	2	1	D7P-U3F3F34PX21	79.50	D7M-U3F3F34PX21	84.60
					Stop				2	1	D7P-U3F3F3BPX21	79.50	D7M-U3F3F3BPX21	84.60
Green	Flush	Blank	Red	Extended	Blank	Green	Flush	Blank	Operator Only		D7P-U3F3F34	32.40	D7M-U3F3F34	37.50
					Stop				D7P-U3F3F3B	32.40	D7M-U3F3F3B	37.50		

Two Position, Illuminated										Plastic operator with plastic bezel		Metal operator with metal bezel	
Position A (Bottom)			Center	Position C (Top)			Contacts						
Color	Type	Text	Type	Color	Type	Text	N.O.	N.C.					
Red	Extended	Blank	White Pilot Light	Green	Flush	Blank	1	1	D7P-LU2E4F3PN★WX11	100.05	D7M-LU2E4F3PN★WX11	105.15	
		0				I	1	1	D7P-LU2EFFEPN★WX11	106.95	D7M-LU2EFFEPN★WX11	112.05	
		STOP				START	1	1	D7P-LU2EBFAPN★WX11	106.95	D7M-LU2EBFAPN★WX11	112.05	
Red	Extended	Blank	White Pilot Light	Green	Flush	Blank	Operator Only		D7P-LU2E4F3	27.30	D7M-LU2E4F3	32.40	
		0				I		D7P-LU2EFF3	34.20	D7M-LU2EFF3	39.30		
		STOP				START		D7P-LU2EBFA	34.20	D7M-LU2EBFA	39.30		

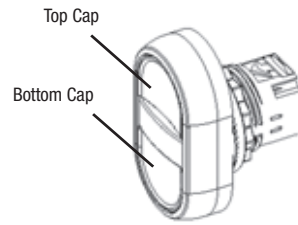
Integral LED module
 Replace ★ with
 3 24V AC/DC
 5 120V AC
 7 240V AC



Two Position

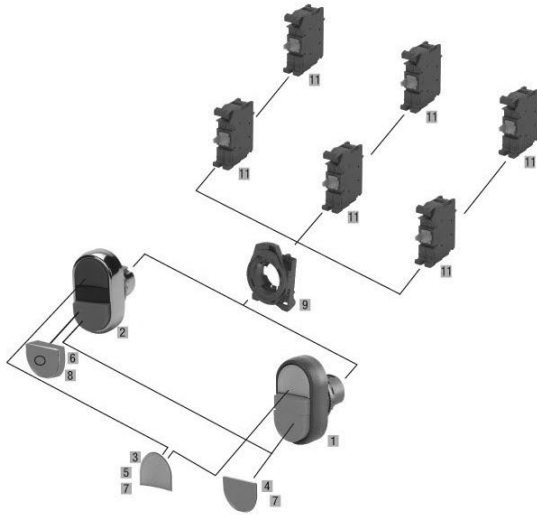


Three Position

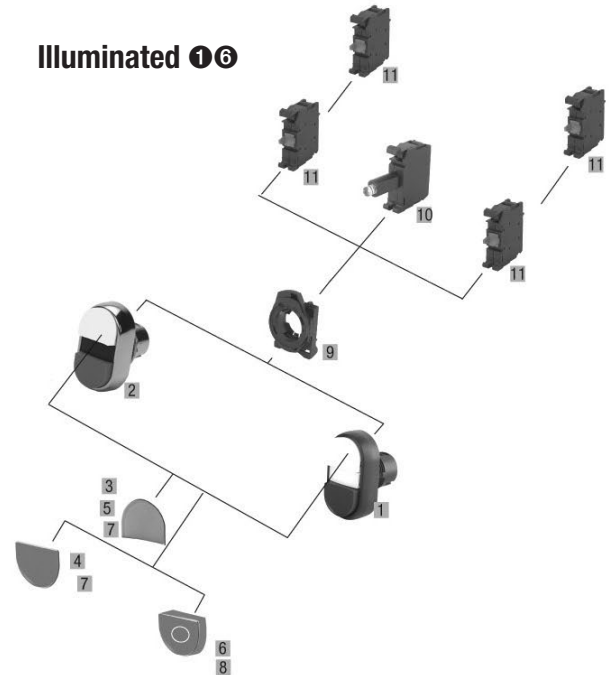


Two Position Illuminated

Multifunction Pushbutton Components Non-Illuminated ①



Illuminated ①⑥



Component	Catalog Number	Price Ea.	Pkg. Qty.
01 Plastic operator with plastic bezel, two position, no color caps	D7P-U2X	17.10	1
Metal operator with shiny metal bezel, two position, no color caps	D7M-U2X	22.30	1
01 Plastic operator with plastic bezel, two position, illuminated, no color caps ⑥	D7P-LU2X	25.60	1
02 Plastic operator with plastic bezel, three position, extended red middle cap, no top and bottom color caps	D7P-U3X	30.70	1
Metal operator with shiny metal bezel, three position, extended red middle cap, no top and bottom color caps	D7M-U3X	35.80	1
Metal operator with shiny metal bezel, two position, illuminated, no color caps ⑥	D7M-LU2X	30.70	1
03 Top Color Caps, flush ②		4.30	1
<i>Custom printed</i> Green I White I Green II Green RIGHT Green UP Green FORWARD Green START White START	D7-AFCU3CU909 D7-AFCU1CU909 D7-AFCU3CU230 D7-AFCU3CE191 D7-AFCU3CE223 D7-AFCU3CE120 D7-AFCU3CE208 D7-AFCU1CE208		
04 Bottom Color Caps, flush ②		4.30	1
<i>Custom printed</i> Green I White I Green II Green LEFT Green DOWN Green REVERSE Green START White START	D7-AFAU3CU909 D7-AFAU1CU909 D7-AFAU3CU230 D7-AFAU3CE145 D7-AFAU3CE110 D7-AFAU3CE188 D7-AFAU3CE208 D7-AFAU1CE208		

Component	Catalog Number	Price Ea.	Pkg. Qty.	
05 Top Color Caps, extended ②	Red STOP Black STOP Red 0 Black 0	4.30	1	
06 Bottom Color Caps, extended ②	Red STOP Black STOP Red 0 Black 0	4.30	1	
07 Replacement Caps, top or bottom, flush	White blank Black blank Green blank Red blank Yellow blank Blue blank	.85	10	
08 Replacement Caps, top or bottom, extended	White blank Black blank Green blank Red blank Yellow blank Blue blank	.85	10	
09 Tool-less Mounting Latch (for snap-on contact blocks and power module)	Plastic Latch Metal Latch	D7-ALP D7-ALM	6.00 7.75	10 10
10 Power Module Integral LED Module ④	24V AC/DC 120V AC 240V AC	D7-N3W D7-N5W D7-N7W	39.35	10
11 Contact blocks ③④	NO NC NO, early make NC, late break NO, low voltage NC, low voltage	D7-X10 D7-X01 D7-X10E D7-X01L D7-X10V D7-X01V	13.70 22.25	10 10

① Legend plates sold separately. See page H74 for pricing.
 ② See page H76 for other custom printed ISO and text options.
 ③ Up to 4 contact blocks (in any combination) can be attached to two button operators.
 Up to 6 contact blocks (3 across / 2 high) can be attached to three button operators.

④ Screwless and dual circuit contact blocks available. Screwless LED power modules available. See Accessories page H68 for ordering information.
 ⑥ LED module required for illumination, cannot use incandescent module.

Multifunction Pushbuttons, Non-Illuminated (Build Your Own) ①

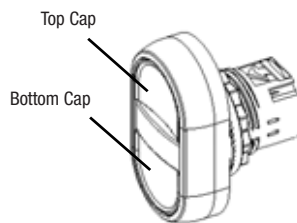
Contact Blocks ②③	Plastic operator with plastic bezel		Metal operator with metal bezel		Contact Blocks ②③	Plastic operator with plastic bezel		Metal operator with metal bezel	
	Two Position ④					Three Position ④⑦			
	Catalog Number	Price	Catalog Number	Price		Catalog Number	Price	Catalog Number	Price
Operator Only	D7P-U2④⑤⑥⑦	18.80	D7M-U2④⑤⑥⑦	24.00	Operator Only	D7P-U3④⑤⑥⑦⑧⑨	32.40	D7M-U3④⑤⑥⑦⑧⑨	37.50
2	D7P-U2④⑤⑥⑦⑧⑨	52.20	D7M-U2④⑤⑥⑦⑧⑨	57.40	3	D7P-U3④⑤⑥⑦⑧⑨⑩⑪⑫	79.50	D7M-U3④⑤⑥⑦⑧⑨⑩⑪⑫	84.60

Complete Kit Ordering Instructions

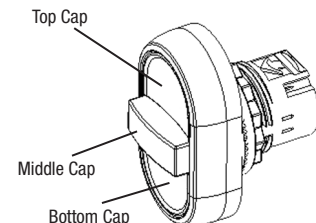
D7P	U2	★	◆	♣	♠	♥	P	▼
Oper. Construction	Oper. Style	Bottom Cap Type	Bottom Color/Text ④	Top Cap Type	Top Color/Text ④	Middle Color/Text	Mounting Latch	Contacts ②③
D7P - Plastic operator with plastic bezel (Type 4/4X, IP66) D7M - Metal operator with metal bezel (Type 4, IP66)	U2 - Two function U3 - Three function	F - Flush E - Extended X - No caps (all positions) ⑦	1 - White blank 2 - Black blank 3 - Green blank 4 - Red blank 5 - Yellow blank 6 - Blue blank Standard Text Options (Add \$3.45) ⑤ A - Green Start B - Red Stop C - White Start D - Black Stop E - Green I F - Red O G - White I H - Black O	F - Flush E - Extended	1 - White blank 2 - Black blank 3 - Green blank 4 - Red blank 5 - Yellow blank 6 - Blue blank Standard Text Options (Add \$3.45) ⑤ A - Green Start B - Red Stop C - White Start D - Black Stop E - Green I F - Red O G - White I H - Black O	4 - Red blank B - Red Stop F - Red O	P - Plastic latch (D7P and D7M offered with plastic latch as standard) M - Metal latch Note: For metal latch add \$1.75	X20 - 2NO X02 - 2NC → X11 - 1NO/1NC X30 - 3NO X03 - 3NC X21 - 2NO/1NC X12 - 1NO/2NC <i>Add \$13.70 for each additional standard contact block</i>
<i>Only Standard Inscription caps are available in Kit form. Other custom printed cap options on page H76 must be purchased separately. Order kits above with "No Caps" and order the custom printed cap separately for field installation.</i>								

→ Positive Opening per EN60947-5-1 (applies to all NC contact block styles)

Standard Inscription Caps ⑤		
Color	Text	
	Flush Caps	Extended Caps
White	START, I	—
Black	—	Stop, O
Green	START, I	—
Red	—	Stop, O



Two Position Multi-Function ⑥





Three Position Multi-Function ⑥

- ① Legend plates sold separately. See page H74 for pricing.
- ② Up to 4 contact blocks (in any combination) can be attached to two button operators. Up to 6 contact blocks (3 across / 2 high) can be attached to three button operators.
- ③ See page H72 for complete kit ordering information on other special contact blocks: Early make, late break, low voltage, and screwless contact blocks.
- ④ Base price includes blank color caps.

- ⑤ Valid standard "complete kit" cap type and cap color/text selection.
- ⑥ Mounting latch slot 1 (left position when viewed for the back) corresponds to the Top Cap pushbutton of the operator. Slot 2 of the mounting latch (right position when viewed from the back) corresponds to the Bottom Cap pushbutton of the operator.
- ⑦ For "no caps" option, (position B) center cap available as red, no text only.

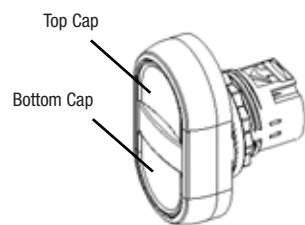
Multifunction Pushbuttons, Illuminated (Build Your Own) ①⑥

Contact Block(s) ②③	Plastic operator with plastic bezel		Metal operator with metal bezel	
				
	Two Position ④		Two Position ④	
	Catalog Number	Price	Catalog Number	Price
Oper. Only	D7P-LU2②③④⑤⑥	27.30	D7M-LU2②③④⑤⑥	32.40
Integral LED Module				
2	D7P-LU2②③④⑤⑥★▼	100.05	D7M-LU2②③④⑤⑥★▼	105.15

Complete Kit Ordering Instructions

D7P	–	LU2	★	◆	♣	♠	P	★	▼
Oper. Construction	Oper. Style	Bottom Cap Type	Bottom Color/Text ④	Top Cap Type	Top Color/Text ④	Mounting Latch	Middle Cap White Lens Power Module ⑥	Contacts ②③	
D7P - Plastic operator with plastic bezel (Type 4/4X, IP66)	LU2 - Two function, illuminated	F - Flush E - Extended	1 - White blank 2 - Black blank 3 - Green blank 4 - Red blank 5 - Yellow blank 6 - Blue blank <i>Standard Text Options (Add \$3.45) ⑤</i> A - Green Start B - Red Stop C - White Start D - Black Stop E - Green I F - Red O G - White I H - Black O	F - Flush E - Extended	1 - White blank 2 - Black blank 3 - Green blank 4 - Red blank 5 - Yellow blank 6 - Blue blank <i>Standard Text Options (Add \$3.45) ⑤</i> A - Green Start B - Red Stop C - White Start D - Black Stop E - Green I F - Red O G - White I H - Black O	P - Plastic latch (D7P and D7M offered with plastic latch as standard) M - Metal latch <i>Note: For metal latch add \$1.75</i>	<i>Integral LED module N3W, 24V AC/DC N5W, 120V AC N7W, 240V AC</i>	X20 - 2NO X02 - 2NC → X11 - 1NO/1NC	
D7M - Metal operator with metal bezel (Type 4, IP66)								Add \$13.70 for each additional standard contact block	
<i>Only Standard Inscription caps are available in Kit form. Other custom printed cap options on page H76 must be purchased separately. Order kits above with "No Caps" and order the custom printed cap separately for field installation.</i>									

Standard Inscription Caps ⑤		
Color	Text	
	Flush Caps	Extended Caps
White	START, I	—
Black	—	STOP, O
Green	START, I	—
Red	—	STOP, O



Two Position Illuminated Multi-Function ⑦

→ Positive Opening per EN60947-5-1 (applies to all NC contact block styles)

- ① Legend plates sold separately. See page H74 for pricing.
- ② Up to 4 contact blocks can be attached.
- ③ See page H72 for complete kit ordering information on other special contact blocks.
- ④ Base price includes blank color caps.

- ⑤ Valid standard "complete kit" cap type and cap color/text selection.
- ⑥ LED module required for illumination, cannot use incandescent module. Lens color available in white only.
- ⑦ Mounting latch slot 1 (left position when viewed for the back) corresponds to the Top Cap pushbutton of the operator. Slot 2 of the mounting latch (right position when viewed from the back) corresponds to the Bottom Cap pushbutton of the operator.

Selector/Jog Operators (Complete Kits) ①

Contact Blocks ②③	Two Position Selector/Jog				Three Position Selector/Jog			
	Plastic Jog Operator		Metal Jog Operator		Plastic Jog Operator		Metal Jog Operator	
	Catalog Number	Price	Catalog Number	Price	Catalog Number	Price	Catalog Number	Price
Oper. Only	D7P-SJ2☉	101.00	D7M-SJ2☉	102.50	D7P-SJ3☉	101.00	D7M-SJ3☉	102.50
1NO	D7P-SJ2☉PX10	120.70	D7M-SJ2☉PX10	122.20	D7P-SJ3☉PX10	120.70	D7M-SJ3☉PX10	122.20
1NC	D7P-SJ2☉PX01		D7M-SJ2☉PX01		D7P-SJ3☉PX01		D7M-SJ3☉PX01	
2NO	D7P-SJ2☉PX20	134.40	D7M-SJ2☉PX20	135.90	D7P-SJ3☉PX20	134.40	D7M-SJ3☉PX20	135.90
2NC	D7P-SJ2☉PX02		D7M-SJ2☉PX02		D7P-SJ3☉PX02		D7M-SJ3☉PX02	
1NO/1NC	D7P-SJ2☉PX11		D7M-SJ2☉PX11		D7P-SJ3☉PX11		D7M-SJ3☉PX11	
3NO	D7P-SJ2☉PX30	148.10	D7M-SJ2☉PX30	149.60	D7P-SJ3☉PX30	148.10	D7M-SJ3☉PX30	149.60
3NC	D7P-SJ2☉PX03		D7M-SJ2☉PX03		D7P-SJ3☉PX03		D7M-SJ3☉PX03	
2NO/1NC	D7P-SJ2☉PX21		D7M-SJ2☉PX21		D7P-SJ3☉PX21		D7M-SJ3☉PX21	
1NO/2NC	D7P-SJ2☉PX12		D7M-SJ2☉PX12		D7P-SJ3☉PX12		D7M-SJ3☉PX12	

Complete Kit Ordering Instructions

D7P –	SJ2	★	P	▼
Oper. Construction D7P - Plastic operator with plastic bezel (Type 4/4X, IP66) D7M - Metal operator with metal bezel (Type 4, IP66)	Oper. Style SJ2 - 2 Position selector/jog SJ3 - 3 Position selector/jog	Lens Cap Color 2 - Black 3 - Green	Mounting Latch P - Plastic latch (D7P and D7M offered with plastic latch as standard) M - Metal latch <i>Note: For metal latch add \$1.75</i>	Contacts ②③ X10 - 1NO X01 - 1NC → X20 - 2NO X02 - 2NC X11 - 1NO/1NC X30 - 3NO X03 - 3NC X21 - 2NO/1NC X12 - 1NO/2NC <i>Add \$13.70 for each additional standard contact block</i>

→ Positive Opening per EN60947-5-1 (applies to all NC contact block styles)

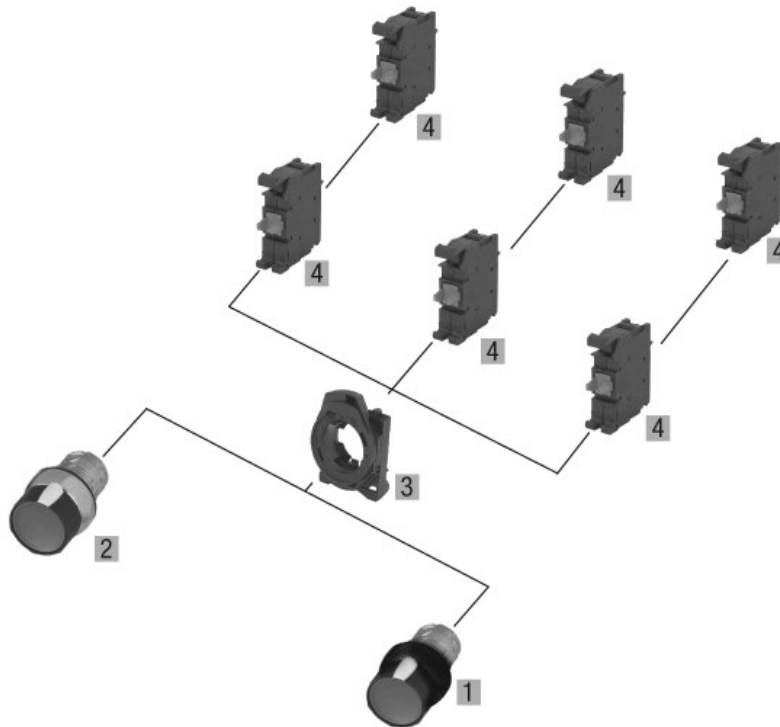
Target Table and Operator Position (2 Position)					
Contact Type	Position on Mounting Latch	Selector Left		Selector Right	
		Free	Depressed	Free	Depressed
N.O.	Left	0	X	0	0
N.O.	Right	0	0	0	X
N.O.	Center	0	X	0	X
N.C.	Left	X	0	X	X
N.C.	Right	X	X	X	0
N.C.	Center	X	0	X	0

Note: X = Closed, 0 = Open

Target Table and Operator Positions (3 Position)							
Contact Type	Position on Mounting Latch	Selector Left		Selector Center		Selector Right	
		Free	Depressed	Free	Depressed	Free	Depressed
N.O.	Left	0	X	0	X	0	0
N.O.	Right	0	0	0	X	0	X
N.O.	Center	0	X	0	X	0	X
N.C.	Left	X	0	X	0	X	X
N.C.	Right	X	X	X	0	X	0
N.C.	Center	X	0	X	0	X	0

- ① Legend plates sold separately. See page H74 for pricing.
- ② Up to 6 contact blocks (3 across/ 2 high) can be attached.
- ③ See page H72 for complete kit ordering information on other special contact blocks: Early make, late break, low voltage, and screwless contact blocks.



Selector/ Standard Jog Operators (Components)



Component	Catalog Number	Price Ea.	Pkg. Qty.
01 Plastic operator, 2-position, with plastic bezel selector/jog ❶ Black Cap Green Cap	D7P-SJ22	101.00	1
	D7P-SJ23		
Plastic operator, 3-position, with plastic selector/jog ❶ Black Cap Green Cap	D7P-SJ32	101.00	1
	D7P-SJ33		
02 Metal operator, 2-position, with shiny metal bezel selector/jog ❶ Black Cap Green Cap	D7M-SJ22	102.50	1
	D7M-SJ23		
Metal operator, 3-position, with shiny metal selector/jog ❶ Black Cap Green Cap	D7M-SJ32	102.50	1
	D7M-SJ33		
03 Tool-less Mounting Latch Plastic Latch Metal Latch	D7-ALP	6.00	10
	D7-ALM	7.75	
04 Contact Blocks ❷❸ NO NC NO, early make NC, late break NO, low voltage NC, low voltage	D7-X10	13.70	10
	D7-X01		
	D7-X10E		
	D7-X01L		
	D7-X10V	22.25	
D7-X01V			

- ❶ Legend plates sold separately. See page H74 for pricing.
- ❷ Up to 6 contact blocks (3 across/ 2 high) can be attached.
- ❸ Screwless and dual circuit contact blocks available. See page H68 for ordering information.

Indicating Lights (Complete Kits) ①②

Lens Color	Plastic operator with plastic bezel		Metal operator with metal bezel	
				
	Diffuser Type		Diffuser Type	
	Catalog Number	Price	Catalog Number	Price
Oper. Only	D7P-P☉	8.40	D7M-P☉	10.50
Incandescent Module (Bulb Included)				
Green	D7P-P3P♣	53.75	D7M-P3P♣	55.85
Red	D7P-P4P♣		D7M-P4P♣	
Yellow	D7P-P5P♣		D7M-P5P♣	
Blue	D7P-P6P♣		D7M-P6P♣	
Clear	D7P-P7P♣		D7M-P7P♣	
Integral LED Module				
Green	D7P-P3P♣	53.75	D7M-P3P♣	55.85
Red	D7P-P4P♣		D7M-P4P♣	
Yellow	D7P-P5P♣		D7M-P5P♣	
Blue	D7P-P6P♣		D7M-P6P♣	
Clear	D7P-P7P♣		D7M-P7P♣	

H

D7 Pilot Devices

Complete Kit Ordering Instructions

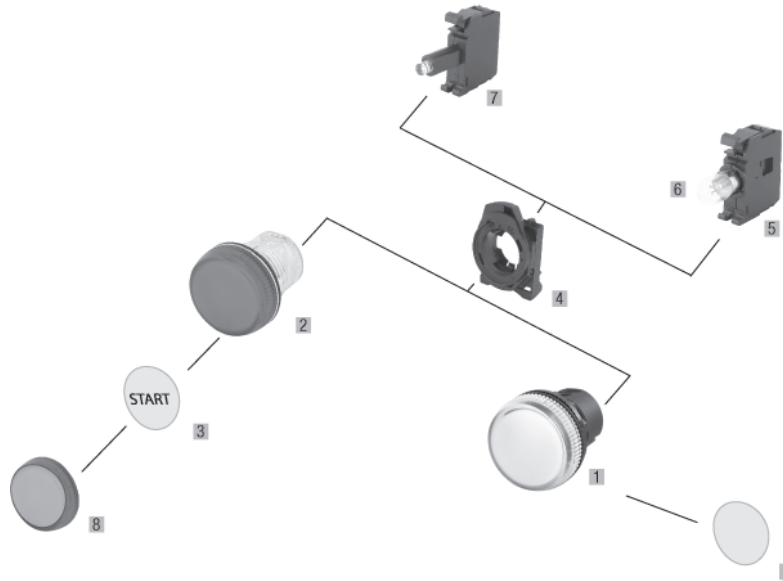
D7P	–	P	★	P	♣
Oper. Construction	Operator Type ③	Lens Color	Mounting Latch	Power Module	
D7P - Plastic operator with plastic bezel (Type 4/4X/13, IP66) D7M - Metal operator with metal bezel (Type 4/13, IP66)	P - Diffuser style lens	0 - Amber 3 - Green 4 - Red 5 - Yellow 6 - Blue 7 - Clear	P - Plastic latch (D7P and D7M offered with plastic latch as standard) M - Metal latch <i>Note: For metal latch add \$1.75</i>	Incandescent module D0 - no bulb (deduct \$6.85) D1 - 6V, bulb D2 - 12V, bulb D3 - 24V, bulb D4 - 48V, bulb D5 - 120V, bulb D7 - 240V, neon Integral LED module N3x , 24V AC/DC N5x , 120V AC N7x , 240V AC	

Custom printed diffusers sold separately, see page H76. Order kits with applicable lens cap color and order the custom printed diffuser separately for field installation.

LED Module Code Selection	
For lens color...	replace "x" with...
Green	G
Red	R
Amber Yellow Blue Clear	W

- ① Legend plates sold separately. See page H74 for pricing.
- ② Select lens color from "Complete Kit Ordering Instructions" table above.
- ③ One blank inscription diffuser included.

Indicating Lights (Components) ❶



Component	Catalog Number	Price Ea.	Pkg. Qty.
01 Plastic operator with blank diffuser		8.40	1
Amber	D7P-P0		
Green	D7P-P3		
Red	D7P-P4		
Yellow	D7P-P5		
Blue	D7P-P6		
Clear	D7P-P7		
02 Metal operator with blank diffuser		10.50	1
Amber	D7M-P0		
Green	D7M-P3		
Red	D7M-P4		
Yellow	D7M-P5		
Blue	D7M-P6		
Clear	D7M-P7		
03 Custom printed Inscription diffuser caps ❷		4.30	1
AUTO	D7-AD3CE101		
CLOSE	D7-AD3CE107		
DOWN	D7-AD3CE110		
FAULT	D7-AD3CE113		
FAST	D7-AD3CE114		
FORWARD	D7-AD3CE120		
HAND	D7-AD3CE126		
HIGH	D7-AD3CE129		
LOW	D7-AD3CE148		
OFF	D7-AD3CE163		
ON	D7-AD3CE166		
OPEN	D7-AD3CE170		
REVERSE	D7-AD3CE188		
RUN	D7-AD3CE193		
SLOW	D7-AD3CE201		
START	D7-AD3CE208		
STOP	D7-AD3CE212		
UP	D7-AD3CE223		

Component	Catalog Number	Price Ea.	Pkg. Qty.
04 Tool-less Mounting Latch (for snap-on contact blocks and lamp elements)			
Plastic Latch	D7-ALP	6.00	10
Metal Latch	D7-ALM	7.75	
05 Power Module, Incandescent	D7-D0C	32.50	10
06 Lamps, Incandescent		6.85	10
6V AC/DC	D7-N65		
12V AC/DC	D7-N141		
24V AC/DC	D7-N157		
48V AC/DC	D7-N48		
130V AC/DC	D7-N130		
06 Lamps, Neon		6.85	10
240V AC	D7-N240		
07 Power Module, Integral LED ❸❹		39.35	10
24V AC/DC	D7-N3x		
120V AC	D7-N5x		
240V AC	D7-N7x		
08 Replacement color lens cap, includes blank diffuser		.85	10
Amber	D7-AP0		
Green	D7-AP3		
Red	D7-AP4		
Yellow	D7-AP5		
Blue	D7-AP6		
Clear	D7-AP7		

- ❶ Legend plates sold separately. See page H74 for pricing.
- ❷ Screwless power modules available. See page H72 for ordering information.
- ❸ See page H76 for other custom printed ISO and text options.
- ❹ To complete the catalog no., replace the "x" with one of the codes on the previous page.





Auer Signal

Panel Mount Beacons and Alarms

Long life LED lighting for enhanced indication and panel mounted alarms up to 105 dB



Beacons I at 65, 45 & 30 mm ø



M22 Alarms

Beacons

Auer Signal offers an array of panel mount beacons designed for 22 mm diameter mounting holes. These beacons offer incandescent bulbs or long lasting LED bulb options. Multi-faceted polycarbonate lenses offer an enhanced panel indication available in 12 V to 240 V AC/DC. Selections are available in Steady, Flashing Strobe, Multi-Strobe and Dual colors on the same unit. See the complete selection of Auer panel mount beacons starting on page J31.



Beacons with integrated alarms

Combine Light + Sound

The Series I beacons with alarm combine both light control and alarm signaling in one unit. Available in two sizes for mounting into a standard 22mm diameter panel hole. Choose the light and tone synchronized or separately controlled. Tones from 98 to 103 dB are easily selected via terminals.



Alarms

When a simple indicator is not enough, add a panel mount alarm. Auer Signal alarms mount into standard 22 mm diameter panel holes, right next to other pilot devices. In three sizes, and up to 105 dB of sound, signaling critical control issues is incorporated right into the panel door. Easily configured with DIP switches, choose from pulsing wobble or continuous tone options. And the 30 mm ESK model is fully enclosed, which is suitable for use in food industry applications. Auer panel mount alarms can be found on page J33.



Fits seamlessly into control panel along with other control devices.



M22 Dual Color beacons




D7 Pilot Devices

Reset Operators Mechanical and/or Electrical Reset ①②⑤

Color Cap	Legend Text	Plastic operator with plastic bezel Type 4/4X/13, IP66		Metal operator with metal bezel Type 4/13, IP66	
		Catalog Number	Price	Catalog Number	Price
White	<i>no text</i>	D7P-R1	15.50	D7M-R1	17.50
Black	<i>no text</i>	D7P-R2		D7M-R2	
Blue	<i>no text</i>	D7P-R6		D7M-R6	
White	R	D7P-R111	18.80	D7M-R111	21.00
Black	R	D7P-R211		D7M-R211	
Blue	R	D7P-R611		D7M-R611	

Reset Rods ③

Rod Length	Rod Length Adjustability						
		Threaded with 10mm Push Head			Threaded with 35mm Push Head		
		Catalog Number	Price	Pkg. Qty.	Catalog Number	Price	Pkg. Qty.
1.57" (40 mm)	1.35-2.05" (34-52 mm)	D7-ATR01	11.10	1	D7-ATR01L	11.10	1
2.17" (55 mm)	1.95-2.65" (50-67 mm)	D7-ATR02			D7-ATR02L		
3.35" (85 mm)	3.15-3.85" (80-98 mm)	D7-ATR04			D7-ATR04L		
4.53" (115 mm)	4.35-5.05" (110-128 mm)	D7-ATR06			D7-ATR06L		
5.70" (145 mm)	5.55-6.25" (141-159 mm)	D7-ATR08			D7-ATR08L		
12.28" (315 mm)	6.18-12.85" (157-326 mm)	D7-ATR19 ④	18.80		D7-ATR19L ④	18.80	

- ① Legend plates sold separately. See page H74 for pricing.
- ② Will accept latch and up to four single circuit contact blocks or two dual circuit contact blocks; no contacts allowed in center position.
- ③ If contact blocks are used, they must have a minimum rod length of 55mm for one level of contact blocks and 85mm for two levels of contact blocks.
- ④ Rod is threaded along its entire length. Fully threaded rod can be provided after cutting.
- ⑤ 11 mm reset stroke length.

Toggle Switch (Operator Only) ②③④

Metal Operator with metal bezel
Type 4/13, IP66



Important Note:
Cannot use N.C. or N.O.E.M. contact blocks with 4 position toggle switches. Contact blocks and mounting latches sold separately, see pages H66 and H68.

2 Position				4 Position			
Momentary		Maintained		Momentary		Maintained	
Catalog Number	Price	Catalog Number	Price	Catalog Number	Price	Catalog Number	Price
D7M-JR2	140	D7M-JM2	140	D7M-JR4	140	D7M-JM4	140

Target Table and Operator Positions (2 Position)				
Contact Type	Position on Mounting Latch			
		Toggle Left	Center	Toggle Right
N.O.	Left	0	0	X
N.O.	Right	X	0	0
N.O.	Center	X	0	X
N.C.	Left	X	X	0
N.C.	Right	0	X	X
N.C.	Center	0	X	0

Note: X = Closed / 0 = Open

Target Table and Operator Positions (4 Position) ①						
Contact Type	Position on Mounting Latch					
		Toggle Up	Toggle Left	Center	Toggle Right	Toggle Down
N.O.	Left	X	0	0	0	0
N.O.	Right	0	X	0	0	0
N.O.	Center	X	X	0	0	0
N.C.L.B.	Left	0	X	X	X	X
N.C.L.B.	Right	X	0	X	X	X
N.C.L.B.	Center	0	0	X	X	X
N.C.E.B.	Left	0	0	0	0	X
N.C.E.B.	Right	0	0	0	X	0

Note: X = Closed / 0 = Open

- ① Cannot use N.C. or N.O.E.M. contact blocks with 4-position toggle switches. Must use N.O., N.C.E.B, or N.C.L.B contact bodies.
- ② Contact blocks and mounting latches sold separately, see pages H66 and H68.
- ③ Silicone boot comes standard with toggle switch, see page H71 for replacement boots.
- ④ Use legend plates D7-D34... and D7-35... on page H74.

Single Turn Potentiometer Assembly¹²

Plastic operator with plastic bezel
Type 4/4X/13, IP66



Single Turn Potentiometer

Resistive Element	Catalog Number	List Price
None (Operator Only)	D7P-POTA	118
150 Ω	D7P-POT1A	162
500 Ω	D7P-POT2A	162
1000 Ω	D7P-POT3A	162
2500 Ω	D7P-POT4A	162
5000 Ω	D7P-POT5A	162
10000 Ω	D7P-POT6A	162

The D7P-POTA is a complete operator assembly supplied without the resistive element, used with potentiometers having a shaft diameter of 6.0 mm (0.23 in.) and a shaft length of 50.0 mm (1.97 in.), or a shaft diameter of 6.4 mm (0.25 in.) and a shaft length of 22.5 mm (0.88 in.) This operator is used with Type “J” potentiometers only.

Accessories

Component	Description	Catalog Number	Price Each	Pkg Qty.
	Potentiometer Legend Plate scale 0-9 Note: Sold in multiples of 10. Order (quantity of) 10 to receive one package of 10 pieces.	D7-30WN	3.45	10
	Potentiometer Legend Plate graphical scale Note: Sold in multiples of 10. Order (quantity of) 10 to receive one package of 10 pieces.	D7-30WG	3.45	

Component	Description	Resistance	Catalog Number	Price Each	Pkg. Qty.
	Replacement Resistive Elements for the D7P Potentiometer operator. ¹	150 Ω	D7-AC1	44.50	1
		500 Ω	D7-AC2		
		1000 Ω	D7-AC3		
		2500 Ω	D7-AC4		
		5000 Ω	D7-AC5		
		10000 Ω	D7-AC6		

¹ Rated 300VAC/DC, 2W max.

² A mounting latch is not needed.

Momentary Pushbutton Devices, Non-Illuminated (Complete Assembly) ①

Cap Color	Legend Text	Contact Block(s) ⓂⓂ	Plastic Operator		Plastic Operator	
			Flush Momentary Pushbutton		Extended Momentary Pushbutton	
			Catalog Number	Price	Catalog Number	Price
~	~	1NO	D7D-F3▼X10	25.00		
		1NC	D7D-F3▼X01		D7D-E3▼X01	28.00
		1NO/1NC	D7D-F3▼X11	38.75	D7D-E3▼X11	42.00
		2NO	D7D-F3▼X20			
		2NC	D7D-F3▼X02		D7D-E3▼X02	42.00
Quick Selection Guide						
Green	Blank	1NO	D7D-F3X10	25.00		
	START	1NO	D7D-F301X10	28.00		
	I	1NO	D7D-F306X10	28.00		
Red	Blank	1NC	D7D-F4X01	25.00	D7D-E4X01	28.00
	STOP	1NC	D7D-F402X01	28.00	D7D-E402X01	31.00
	0	1NC	D7D-F405X01	28.00	D7D-E405X01	31.00

PRODUCT FEATURES

- Easy installation
- Available with flush or extended cap
- Two color molding and laser engraving options for cap
- UL type 4/4X/13, IP 66

Complete Kit Ordering Instructions

D7D	-	F	★	▼	X	10
Oper. Construction	Operator Type	Color Cap	Inscription ①②③④ (Add \$3.00)	Screw Termination	Contacts	
D7D - Plastic operator with plastic bezel (Type 4/4X/13, IP66)	F - Flush, momentary, non-illuminated E - Extended, momentary, non-illuminated	0 - Orange 1 - White 2 - Black 3 - Green 4 - Red ⑤ 5 - Yellow 6 - Blue	Omit this position for a blank color cap Standard Molded Caps 01 - START 02 - STOP ⑤ 05 - 0 ⑤ 06 - I 08 - → ⑤ 09 - FORWARD 10 - REVERSE 11 - R	X - Standard R - Ring Lug ⑥ (Special Order)	10 - 1NO ⑤ 01 - 1NC → 20 - 2NO ⑤ 02 - 2NC → 11 - 1NO/1NC	

→ Positive Opening per EN60947-5-1 (applies to all NC contact block styles)

Standard Molded Inscription Caps ③④

Molded Cap Selection Table		
Color	Text Flush Caps	Text Extended Caps
White	START, I, →, R, FORWARD, REVERSE	→, R
Black	→, R, FORWARD, REVERSE	STOP, 0, →, R, ⑤
Green	START, I, →, FORWARD, REVERSE	→
Red	STOP, 0, →, FORWARD, REVERSE ⑤	STOP, 0, → ⑤
Yellow	→, FORWARD, REVERSE	→
Blue	→, R, FORWARD, REVERSE	→, R

- ① Legend plates sold separately. See page H74 for pricing.
- ② One blank color cap included. For standard molded inscription caps, add \$3.00.
- ③ Rotation every 90° (→, ←, ↓, ↑). All legend caps supplied loose for customer installation.
- ④ Valid color cap/legend text codes. White and yellow caps have black text. All other caps have white text.

- ⑤ "Stop", "0", or Red Blank Color Cap/Legend text button caps are not available for "10" or "20" contact codes.
- ⑥ Available with Ring Lug terminals, price remains the same.

SPECIAL ORDER

Emergency Stop Operators, Push-Pull and Twist-to-Release (Complete Assembly) ①②④⑤

Contact Block(s) ①②	Plastic operator	
		
	40mm Mushroom ③	
	Catalog Number	Price
1NC	D7D-MT44X01	48
1NO 1NC	D7D-MT44X11	62
2NC	D7D-MT44X02	62

PRODUCT FEATURES

- Push-pull and twist-to-release in one device
- Non-removable contacts promote safety in E-stop applications
- Arrows molded on cap indicate direction of release
- Trigger action anti-tease feature
- Externally tamper proof
- 40 mm mushroom cap
- Non-illuminated
- E-Stops meet the EN ISO13850 and EN 60947-5-5 standards
- UL type 4/4X/13, IP 66

Complete Kit Ordering Instructions

D7D	–	MT4	4	X	01
Operator		Operator Type	Cap Color	Screw Termination	Contacts ②
D7D - Plastic Operator (UL Type 4/4X/13, IP66)		MT4 - Push-Pull/ Push-to-release	4 - Red 4E - Red-EMO ③	X - Standard	01 - 1NC ⇄ 11 - 1NO/1NC 02 - 2NC

Text in Gray is **SPECIAL ORDER**

⇄ Positive Opening per EN60947-5-1
(applies to all NC contact block styles)

- ① Legend plates sold separately. See page H74 for pricing.
- ② Not available with at least 1 NC contact.
- ③ Special Order. Add \$3.75 to list price.
- ④ Operators are EN ISO13850 compliant when using at least one N.C. contact block.
- ⑤ Operators have been third-party tested for B10d values. B10d values can be found in approval document EL660_01_10 online at www.sprecherschuh.com.

Selector Switch Devices, Non-Illuminated (Complete Assembly) ①

Switching Positions	Contact Block(s)	Plastic operator		Switching Positions	Contact Block(s)	Plastic operator	
		2 Position Selector Switch				3 Position Selector Switch	
		Catalog Number	Price			Catalog Number	Price
	1NO	D7D-SM22X10	29.00		2NO	D7D-SM32X20	44.00
	1NC	D7D-SM22X01	29.00		2NC	D7D-SM32X02	
	2NO	D7D-SM22X20	44.00		1NO & 1NC	D7D-SM32X11	
	2NC	D7D-SM22X02	44.00		2NO	D7D-SL32X20	
	1NO & 1NC	D7D-SM22X11	44.00		2NC	D7D-SL32X02	
	1 Contact	D7D-SL22X▼	29.00	1NO & 1NC	D7D-SL32X11		
	2 Contacts	D7D-SL22X▼	44.00	2NO	D7D-SR32X20		
	1 Contact	D7D-SR22X▼	29.00	2NC	D7D-SR32X02		
	2 Contacts	D7D-SR22X▼	44.00	1NO & 1NC	D7D-SR32X11		
	1 Contact	D7D-SB32X20	29.00	2NO	D7D-SB32X20		
	2 Contacts	D7D-SB32X02		44.00	2NC	D7D-SB32X02	
				1NO & 1NC	D7D-SB32X11		

PRODUCT FEATURES

- Positive detent decreases the likelihood of hang-up between positions
- Constant energy solution means vibration or a slight bump should not cause a change in state
- UL type 4/4X/13, IP 66

Complete Kit Ordering Instructions

D7D	-	S	M	2	2	X	▼
Oper. Construction	Operator Type	Operator Function	Operator Position	Knob Color	Screw Termination	Contacts	
D7D - Plastic operator with plastic bezel (Type 4/4X/13, IP66)	S - Standard knob	M - Maintained, 60° switching angle L - Spring return from left, 60° R - Spring return from right, 60° B - Spring return from left and right, 60° ②	2 - 2 Position, 60° switching angle 3 - 3 Position, 60° switching angle	2 - Black knob, white insert	X - Standard R - Ring Lug ③ (Special Order)	10 - 1NO ④ 01 - 1NC ④ 20 - 2NO 02 - 2NC 11 - 1NO/1NC	


Contact Development Table					
Contacts/ Contact Position (from back)	2 Position Selector Switch				 2 Position Switching Angle
	L		R		
	L	R	L	R	
01 (1NC)	X	-	0	-	
10 (1NO)	-	0	-	X	
11 (1NO 1NC)	X	0	0	X	
02 (2NC)	X	X	0	0	
20 (2NO)	0	0	X	X	

Contact Development Table							
Contacts/ Contact Position (from back)	3 Position Selector Switch						 3 Position Switching Angle
	L		R		L		
	L	R	L	R	L	R	
11 (1NO 1NC)	0	0	X	0	X	X	
02 (2NC)	0	X	X	X	X	0	
20 (2NO)	X	0	0	0	0	X	

- ① Legend plates sold separately. See page H74 for pricing.
- ② Only available on 3-position selector switch.
- ③ Only available on 2-position selector switch.
- ④ Available with Ring Lug terminals, price remains the same.

SPECIAL ORDER

Indicating Lights (Complete Assembly) ①③

Lens Color	Plastic Operator			
				
	Optically Enhanced ③			
	Catalog Number	Price		
Oper. Only	D7D-P9D0 ⑥	34.00		
	Incandescent Module (Bulb Included)		Integral LED Module ②	
Amber	D7D-P0D ♣	40.50	D7D-P0N ♣	40.50
Green	D7D-P3D ♣		D7D-P3N ♣	
Red	D7D-P4D ♣		D7D-P4N ♣	
Yellow	D7D-P5D ♣		D7D-P5N ♣	
Blue	D7D-P6D ♣		D7D-P6N ♣	
Clear	D7D-P7D ♣		D7D-P7N ♣	

PRODUCT FEATURES

- Optically enhanced lens style
- Available in six colors: Amber, green, red, yellow, blue and clear
- UL Type 4/4X/13, IP66

INCANDESCENT

- Device comes with bulb installed for quick set-up
- Bulb is front-replaceable

LED

- Superior shock and vibration ratings
- Life rating of 100,000 hours
- Leakage current protection up to 3 mA
- Integrated LED

Complete Kit Ordering Instructions

D7D	-	P	3	D	♣	
Operator		Operator Type	Lens & LED Color	Illumination Type	Power Module	Screw Termination
D7D -	Plastic Operator (UL Type 4/4X/13, IP66)	P - Optically enhanced lens (cannot use inscription options)	0 - Amber 3 - Green 4 - Red 5 - Yellow 6 - Blue 7 - Clear 9 - No Lens ④ (Incandescent only)	D - Incandescent N - LED	Incandescent 0 - no bulb ⑤ 1 - 6V, bulb 2 - 12V, bulb 3 - 24V, bulb 4 - 48V, bulb 5 - 120V, bulb Integral LED 3 - 24V AC/DC 5 - 120V AC 7 - 240V AC	Blank - Standard R - Ring Lug (Special Order)

Component	Catalog Number	Price Ea.	Pkg. Qty.
Replacement Lenses - Optically Enhanced			
Amber	D7D-AP0	.95	10
Green	D7D-AP3		
Red	D7D-AP4		
Yellow	D7D-AP5		
Blue	D7D-AP6		
Clear	D7D-AP7		

① Pilot lights available with Ring Lug terminals, price remains the same.

② LED modules are not replaceable or sold separately.

③ Legend plates sold separately. See page H74 for pricing.





④ Only valid with "no bulb" option.

⑤ Only valid with "no lens" option. See page H69 to purchase bulbs separately.

⑥ Applies to incandescent pilot lights only (does not include lens or bulb).

SPECIAL ORDER

Emergency Stop Pushbutton Stations ①②

Pushbutton Station	Description	Catalog Number	List Price	Dimensions		
				Length	Width	Depth
	Type 4/13 (IP66) - Oil & Dust Tight – Gray aluminium 30mm twist-to-release E-stop 40mm twist-to-release E-stop 60mm twist-to-release E-stop	D7-1MPB13-⊛▼-◆	190	3.28"	3.34"	4.93"
		D7-1MPB14-⊛▼-◆	190			
		D7-1MPB16-⊛▼-◆	198			
	Type 4/13 (IP66) - Oil & Dust Tight – Gray aluminium 40mm twist-to-release keyed E-stop	D7-1MPBK14-⊛▼-◆	257	3.28"	3.34"	4.93"
	Type 4/4X/13 (IP66) - Dust Tight and Corrosion Proof – Yellow plastic 30mm twist-to-release E-stop 40mm twist-to-release E-stop 60mm twist-to-release E-stop	D7-1YPB13-⊛▼-◆	96	3.34"	3.50"	4.05"
		D7-1YPB14-⊛▼-◆	96			
		D7-1YPB16-⊛▼-◆	104			
	Type 4/4X/13 (IP66) - Dust Tight and Corrosion Proof – Yellow plastic 40mm twist-to-release keyed E-stop	D7-1YPBK14-⊛▼-◆	163	3.34"	3.50"	4.05"

- ⊛ = P - D7P Plastic devices, no price change
- M - D7M Metal devices, add \$5.15
- ▼ = See Base Mount Contact Block table
- ◆ = ER - Emergency Stop Ring (D7-15YE112), add \$8.00



Base Mount Contact Block Codes ②

Code	Contacts	Adder
X10	1NO	Std.
X01	1NC	Std.
X20	2NO	13.70
X02	2NC	13.70
X11	1NO/1NC	13.70
X30	3NO	27.40
X03	3NC	27.40
X21	2NO/1NC	27.40
X12	1NO/2NC	27.40

Enclosure Accessories





Component	Catalog Number	Price Ea.	Pkg. Qty.
Ground Screw Kit This accessory is used for grounding on D7 plastic enclosures only.	D7-AGS2	.85	10

Ordering Example

• Specify Catalog Number	
• Replace (▼) with Contact Block Code and Operator Type	See Contact Block Code table on this page
• Include price adder when applicable	

- ① Will accept one stack of base mount contact blocks (1-3 contact blocks).
- ② Accepts two piece snap-in legends and 60 mm emergency stop legends.

Pushbutton Enclosures and Pendant Stations ①

Pushbutton Station	Description	Catalog Number	List Price	Dimensions		
				Length	Width	Depth
Type 1 - General Purpose - Painted Steel ③						
	One (1) Hole gray	M1-100	53	4-1/2"	2-5/8"	2-3/4"
	Two (2) Hole - gray	M1-200	70	4-1/2"	2-5/8"	2-3/4"
	Three (3) Hole - gray	M1-300	78	6-1/4"	2-5/8"	2-3/4"
Type 4/13 (IP66) Oil & Dust-tight - Aluminium (UL/CSA Approved) ③④						
	One (1) Hole - yellow	D7-1MYP	133	3-9/32"	3-11/32"	3-5/32"
	One (1) Hole - gray	D7-1MP	133	3-9/32"	3-11/32"	3-5/32"
	Two (2) Hole - gray	D7-2MP	159	15-13/32"	3-11/32"	3-5/32"
	Three (3) Hole - gray	D7-3MP	185	6-27/32"	3-11/32"	3-5/32"
	Five (5) Hole - gray	D7-5MP	240	9-13/16"	3-11/32"	3-5/32"
Type 4/4X/13 (IP66) Dust-tight and Corrosion Proof - Plastic (UL/CSA Approved) ③④						
	One (1) Hole - yellow	D7-1YP	38	3-11/32	3-1/2	2-9/32
	One (1) Hole - gray	D7-1PP	38	3-11/32	3-1/2	2-9/32
	Two (2) Hole - gray	D7-2PP	51	4-7/8	3-1/8	2-9/32
	Three (3) Hole - gray	D7-3PP	65	6-3/32	3-1/8	2-9/32
	Four (4) Hole - gray	D7-4PP	79	7-5/16	3-1/8	2-9/32
	Six (6) Hole - gray	D7-6PP	106	9-3/4	3-7/16	2-17/32
Pendant Station Type 4/4X/13 (IP66) Dust-tight and Corrosion Proof - Plastic (UL/CSA Approved) ③						
	1 hole in face	D7-P15	69	5.87"	2.36"	3.19"
	2 holes in face	D7-P25				
	1 hole in bottom	D7-P35				
	1 hole in face / 1 hole in bottom	D7-P45				

Complete Assemblies ②

Pushbutton Enclosures can either be purchased "stand alone," or completely outfitted with the standard pilot device combinations listed on the opposite page. Each enclosure accepts up to three contact blocks on each pilot device (one deep).

The Type 1 enclosure accepts standard latch mount contact blocks and power modules. The Type 4 and 4X enclosures accept base mount or latch mount contact blocks and power modules. Pendant stations are latch mount only.

If purchasing components separately for self-assembly, order enclosure and, if necessary, base mount or latch mount contact blocks and lamp elements from this page, then turn to appropriate page to order pilot devices.

Component	Catalog Number	Price Ea.	Pkg. Qty.
Tool-less Mounting Latch (for snap-on contact blocks and power module)	D7-ALP D7-ALM	6.00 7.75	10
Contact blocks			
NO	D7-X10	13.70	10
NC	D7-X01 ⇄		
NO, early make	D7-X10E ⇄		
NC, late break	D7-X01L ⇄		
NO, low voltage	D7-X10V	22.25	10
NC, low voltage	D7-X01V ⇄		
Base Mounted Contact blocks			
NO	D7-BX10	13.70	10
NC	D7-BX01 ⇄		
NO, early make	D7-BX10E ⇄		
NC, late break	D7-BX01L ⇄		
NO, low voltage	D7-BX10V	22.25	10
NC, low voltage	D7-BX01V ⇄		

⇄ Positive Opening per EN60947-5-1 (applies to all NC contact block styles)

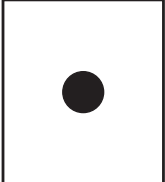
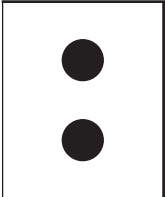
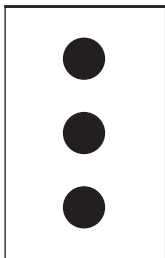
Component	Catalog Number	Price Ea.	Pkg. Qty.
Lamps, Incandescent			
6V AC/DC	D7-N65	6.85	10
12V AC/DC	D7-N141		
24V AC/DC	D7-N157		
48V AC/DC	D7-N48		
130V AC/DC	D7-N130		
Incandescent Module			
no bulb	D7-DOC	32.50	10
Integrated LED Module ⑤			
24V AC/DC	D7-N3x	39.35	10
120V AC	D7-N5x		
240V AC	D7-N7x		
Base Mounted Integrated LED Module ⑤			
24V AC/DC	D7-BN3x	39.35	10
120V AC	D7-BN5x		
240V AC	D7-BN7x		
Ground Screw Kit			
For plastic enclosures only	D7-AGS2	.85	10

- ① Accepts 2-piece snap-in legends. See panel hole spacing requirements on page H85. Inscription rings possible with 1-hole enclosure only.
- ② All "Complete Assembly" orders for two and three pilot devices should be accompanied by a sketch showing position of elements in enclosure.
- ③ Will accept one stack of latch mount contact blocks (1-3 contact blocks).
- ④ Will accept base mount and latch mount type contact blocks and power modules (1-3 contact blocks).
- ⑤ To complete the catalog no., replace the x with one of the following letters for desired color: **Y** = Yellow, **R** = Red, **G** = Green, **B** = Blue, **W** = White.

Ordering Instructions

- Specify Catalog Number
- If applicable, add suffix from opposite page for complete Pushbutton Station assembly
- Total the list price of the pushbutton enclosure and the modification selected

Pushbutton Enclosure Modifications ❶

Number of Elements	Description	Standard Contacts	Cat. Number Suffix	Price Adder
	One Pushbutton ❷			
	START (Green)	1NO	-101 ✪	33
	STOP (Extended Cap - Red)	1NC	-102 ✪	
	STOP (40mm mushroom - Red)	1NC	-104 ✪	
	One Selector Switch			
	OFF-ON	1NO	-108 ✪	38
	OPEN-CLOSE	1NO/1NC	-109 ✪	52
	HIGH-LOW	1NO/1NC	-111 ✪	52
	FOR-REV	1NO/1NC	-112 ✪	52
	UP-DOWN	1NO/1NC	-113 ✪	52
	HAND-OFF-AUTO	2NO	-115 ✪	52
	MAN-AUTO	1NO/1NC	-116 ✪	52
FAST-SLOW	1NO/1NC	-117 ✪	52	
One Pilot Light				
Red (Incandescent 120 Volt)		-118 ✪	54	
Red (Incandescent 240 Volt)	~	-119 ✪		
Red (LED Module 120 Volt)		-120 ✪		
Red (LED Module 240 Volt)		-121 ✪		
	Two Pushbuttons ❷			
	START (Green) / STOP (Extended Cap - Red)	1NO/1NC	-201 ✪	67
	OFF (Black) / ON (Black)	1NO/1NC	-202 ✪	67
	FOR (Black) / REV (Black)	2NO/2NC	-203 ✪	94
	UP (Black) / DOWN (Black)	2NO/2NC	-204 ✪	94
	OPEN (Black) / CLOSE (Black)	2NO/2NC	-205 ✪	94
	HIGH (Black) / LOW (Black)	2NO/2NC	-206 ✪	94
	One Pilot Light & One Pushbutton ❷			
	Red (120 Volt) / START (Green)	1NO	-210 ✪	87
	Red (240 Volt) / START (Green)	1NO	-211 ✪	
Red (120 Volt) / STOP (Extended Cap - Red)	1NC	-215 ✪		
Red (240 Volt) / STOP (Extended Cap - Red)	1NC	-216 ✪		
Red (LED Module 120 Volt) / START (Green)	1NO	-217 ✪		
Red (LED Module 240 Volt) / START (Green)	1NO	-218 ✪		
Red (LED Module 120 Volt) / STOP (Extended Cap - Red)	1NC	-219 ✪		
Red (LED Module 240 Volt) / STOP (Extended Cap - Red)	1NC	-220 ✪		
	Three Pushbuttons ❷			
	OPEN (Black) / CLOSE (Black) / STOP (Extended Cap - Red)	2NO/3NC	-302 ✪	128
	UP (Black) / DOWN (Black) / STOP (Extended Cap - Red)	2NO/3NC	-303 ✪	
	FOR (Black) / REV (Black) / STOP (Extended Cap - Red)	2NO/3NC	-304 ✪	
	HIGH (Black) / LOW (Black) / STOP (Extended Cap - Red)	2NO/3NC	-305 ✪	
	One Selector Switch & Two Pushbuttons ❷			
	HIGH-LOW / START (Green) / STOP (Extended Cap - Red)	2NO/2NC	-307 ✪	119
	UP-DOWN / START (Green) / STOP (Extended Cap - Red)	2NO/2NC	-308 ✪	
	FOR-REV / START (Green) / STOP (Extended Cap - Red)	2NO/2NC	-309 ✪	
	One Pilot Light & Two Pushbuttons ❷			
Red (120 Volt) / START (Green) / STOP (Extended Cap - Red)	1NO/1NC	-311 ✪	120	
Red (240 Volt) / START (Green) / STOP (Extended Cap - Red)	1NO/1NC	-312 ✪		
Red (LED Module 120V) / START (Green) / STOP (Ext. Cap - Red)	1NO/1NC	-313 ✪		
Red (LED Module 240V) / START (Green) / STOP (Ext. Cap - Red)	1NO/1NC	-314 ✪		

Custom Assemblies

Only the most popular combinations are listed in this table. If your application calls for five control units, or you require different pilot device or contact block configurations, consult with your Sprecher + Schuh sales representative for pricing and ordering information.

NOTE: On pushbutton combinations such as UP-DOWN, FOR-REV, HIGH-LOW, etc., we provide two additional contacts for an interlock circuit.

Ordering Instructions

- Add catalog suffix to the end of the enclosure catalog number on previous page
- Total the list price of the pushbutton enclosure and the modification selected

✪ = P - D7P Plastic devices, no price change
M - D7M Metal devices, add \$3.30

- ❶ All Pushbutton Enclosure modification orders for two and three pilot devices should be accompanied by a sketch showing the position of all elements.
- ❷ All pushbuttons have white lettering on the color indicated.

Accessories

Component	Description	Catalog Number	Price Ea.	Pkg. Qty
	Plastic Mounting Latch - Attaches to plastic or metal operators. Note: Sold only in multiples of 10. Order (quantity of) 10 to receive one package of 10 pieces.	D7-ALP	6.00	10
	Metal Mounting Latch - Attaches to plastic or metal operators. These are zinc-plated, metal die cast mounting latches. Note: Sold only in multiples of 10. Order (quantity of) 10 to receive one package of 10 pieces.	D7-ALM	7.75	10
	Ground Screws These are self-tapping #6-32 (M3.5) ground screws for metal latches. Note: Sold only in multiples of 10. Order (quantity of) 10 to receive one package of 10 pieces.	D7-AGS1	.45	10
	Stab Terminals Can be used with all single circuit contact blocks. Minimum spacing requirements apply. See instruction sheet for details. Note: Sold only in multiples of 100. Order (quantity of) 100 to receive one package of 100 pieces.	D7-ATK2	.85	100
	Selector Switch Tabs Changes functionality of selector switch from normal to CenterLeft or CenterRight. For customers that want to use the center position of a mounting latch to add an additional circuit to the left or right actuator without stacking contacts.	D7-ACP	1.65	10
	30mm to 22mm Hole Size Adapter This adapter allows a 22mm push button operator to be installed in a panel with existing 30mm mounting holes. Cast Stainless Steel Note: Comes with anti-rotation washer (D7-ALC1)	D7-AHA1	20.50	1
	Replacement Mounting Rings Plastic Metal	D7-ARP D7-ARM	.85	10
	Mounting Ring Wrench This mounting ring wrench is used to tighten plastic or metal mounting rings quickly and securely.	D7-AW2	8.60	1
	Lens/Bulb Removal Tool The small end of this tool provides quick and easy removal of an incandescent lamp.	D7-ALR1	6.85	1

Accessories

Component	Description	Catalog Number	Price Ea.	Pkg. Qty.
	Locking Washer (Anti-Rotation Washer) This item provides an extra anti-rotation feature for rotary operators such as selector switches.	D7-ALC1	.45	10
	Square Bezel Gives round operator a square appearance. This item is made of plastic. Not for use with toggle switch operators.	D7-ABZ1	1.65	10
	Snap-In Marker This item can be used for circuit identification on all back-of-panel components. (contact blocks and power modules)	V7-SM5X9	See page N41	~

Component	Description	Catalog Number	Price Ea.	Pkg. Qty.
	Standard Inscription Self-Adhesive Rings ①			10
	Outside Diameter Mounting Hole Color Inscription			
	60mm Round 22.5 mm Yellow "EMERGENCY STOP" ②	D7-15YSE112	3.45	
	60mm Round 30 mm Yellow "EMERGENCY STOP"	D7-15YE112	3.45	
	90mm Round 22.5 mm Yellow "EMERGENCY STOP"	D7-16YE112	8.60	
	Special Order Inscription Self-Adhesive Rings ①			
	60mm Round 22.5 mm Yellow See table ②	D7-15YS ▼	3.45	
60mm Round 30 mm Yellow See table	D7-15Y ▼	3.45		
90mm Round 22.5 mm Yellow See table	D7-16Y ▼	8.60		
Note: Sold only in multiples of 10. Order (quantity of) 10 to receive one package of 10 pieces.				




Ordering Instructions




CAT. NO.	▼	Inscription
D7- 15YS	E112	EMERGENCY STOP
	M112	EMERGENCY STOP, ARRÊT D'URGENCE, NOT AUS
15Y	E112	EMERGENCY STOP
	F112	ARRÊT D'URGENCE
	M112	NOT AUS, ARRESTO EMERGENZA, ARRÊT D'URGENCE
	B112	EMERGENCY STOP, ARRÊT D'URGENCE, PARADA DE EMERGENCIA
16Y	E112	EMERGENCY STOP
	F112	ARRÊT D'URGENCE
	M112	NOT AUS, ARRESTO EMERGENZA, ARRÊT D'URGENCE
	B112	EMERGENCY STOP, ARRÊT D'URGENCE, PARADA DE EMERGENCIA

Other languages available. Contact your S+S representative.

① Sold only in multiples of 10. Order (quantity of) 10 to receive one package of 10 pieces.
 ② Not for use with base mounted contact blocks.

Accessories



Component	Description	Contact Type	Catalog Number	Price Ea.	Pkg. Qty.	
	Contact Blocks ❶ Latch mounted contact blocks	NO NC NOEM, early make NCLB, late break	D7-X10 D7-X01 D7-X10E D7-X01L	13.70	10	
		NCEB, early break ❷ NO, low voltage NC, low voltage	D7-X01B D7-X10V D7-X01V	22.25		
		NO, screwless NC, screwless NOEM, screwless NCLB, screwless	D7-Q10 D7-Q01 D7-Q10E D7-Q01L	14.50		
		NO, screwless, low voltage NC, screwless ❷ NCEB, screwless, low voltage	D7-Q10V D7-Q01V D7-Q01B	23.00		
	Dual Circuit Contact Block ❸ Latch mounted contact blocks with two circuit connections	2NO, dual circuit ❹ 2NC, dual circuit ❹ 1NO/1NC, dual circuit ❹	D7-X20D D7-X02D D7-X11D	27.40	10	
		Guardian Contact Block ❸ Latch mounted contact block	Guardian Block ❸	D7-X01S		27.40
			Base Mounted Contact Block ❶ Base mounted contact blocks can be used in plastic or metal enclosures. (D7x-MP/D7-1YP/D7x-PP)	NO NC NOEM, early make NCLB, late break		D7-BX10 D7-BX01 D7-BX10E D7-BX01L
NO, low voltage NC, low voltage	D7-BX10V D7-BX01V			22.25		
NO, screwless NC, screwless	D7-BQ10 D7-BQ01			14.50		

Component	Description	Volts	Catalog Number	Price Ea.	Pkg. Qty.
	Incandescent Power Module (bulb not included) Latch mounted power module for use with illuminated pilot lights, push buttons, and momentary mushroom operators.	No bulb	D7-DOC	32.50	10
	Integrated Power LED Module Latch mounted power module for use with all illuminated devices.	24V AC/DC 120V AC 240V AC	D7-N3x D7-N5x D7-N7x	39.35	10
		24...120V AC/DC ❹	D7-NUx	42.85	10
		24V AC/DC, screwless 120V AC, screwless 240V AC, screwless	D7-Q3x D7-Q5x D7-Q7x	40.00	10
			Base Mounted Integrated Power LED Module Base mounted modules can be used in plastic or metal enclosures.	24V AC/DC 120V AC 240V AC	D7-BN3x D7-BN5x D7-BN7x



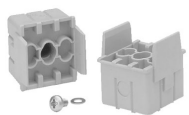
LED Module Code Selection	
For lens color...	replace "x" with...
Green	G
Red	R
Amber, Yellow, Blue, Clear	W


- ❶ Sold in multiples of 10. Order (quantity of) 10 to receive one package of 10 pieces.
- ❷ Only for use with 4 Position selector switch, 4 position toggle switch, or 3 position push-pull operator.
- ❸ Cannot stack.
- ❹ D7-NUx available as a component only. Not available in assembled pilot device kits.

Replacement Lamps ③

Lamp	Type	Bulb Wattage	Typical Current	Volts	ANSI No.	Catalog Number	Price Ea.	Pkg. Qty.
	Full voltage incandescent	0.95 W	150mA	6V AC/DC	755	D7-N65	6.85	10
		1.12 W	80mA	12V AC/DC	756	D7-N141		
		2.24 W	70mA	24V AC/DC	757	D7-N157		
		2.40 W	50mA	48V AC/DC	1835	D7-N48		
		2.86 W	22mA	130V AC/DC	949	D7-N130		
	Neon	0.95 W	22mA	240V AC	-----	D7-N240	6.85	10








Accessories

Component	Description	Catalog Number	Price Ea.	Pkg. Qty
	Ground Screws This accessory is used for grounding on D7 plastic enclosures only. (D7-1xP/D7-xPP)	D7-AGS2	.85	10
	Replacement Trim Washer This accessory comes standard with all enclosures. It must be utilized if using base-mounted contact blocks/power modules without legend plates.	D7-ATW1	.85	10
	Replacement Base Mount Adapter This accessory comes standard with all metal enclosures. It is required when using metal enclosures with base-mounted contact blocks or base-mounted power modules. (D7-xMP)	D7-A3BA	6.85	10

Component	Description	"Ronis" Key No.	Catalog Number	Pkg. Price	Pkg. Qty.	
	<p>Replacement Ronis Key Standard replacement key is Cat. No. D7-AKR3825</p> <p><i>Note: Minimum order quantity is one package of 2 pieces.</i></p>	Master Key System				
		Key No.	3825	D7-AKR3825	16.00	1 set ②
			3801	D7-AKR455		
			3801	D7-AKR3801		
			3802	D7-AKR3802		
			3803	D7-AKR3803		
			3804	D7-AKR3804		
			3805	D7-AKR3805		
			3806	D7-AKR3806		
			4001	D7-AKR4001		
			4002	D7-AKR4002		
			4003	D7-AKR4003		
			4004	D7-AKR4004		
			4005	D7-AKR4005		
			4006	D7-AKR4006		
			4007	D7-AKR4007		
			3901 ①	D7-AKR3901		
			3910 ①	D7-AKR3910		
			3920 ①	D7-AKR3920		






- ① Master key. See diagram for master key system details.
- ② Minimum order quantity is one package of 2 keys.
- ③ Sold only in multiples of 10. Order (quantity of) 10 to receive one package of 10 pieces.

Locking Attachments

Component	Description	Type	Catalog Number	Price Ea.	Pkg. Qty
	<p>Locking Attachments are used to lock Push Button in the depressed position.</p> <ul style="list-style-type: none"> - N.C. contacts are open - N.O. contacts may or may not be open - N.C.L.B contacts may or may not be closed - N.O.E.M contacts are closed 	Flush, Momentary, Non-illuminated	D7-AFL1	51	1
		Extended, Momentary, Non-illuminated	D7-AEL1	51	1
		Momentary Mushroom	D7-AML1	51	1
		Maintained Mushroom	D7-AML2	51	1
	<p>Locking Cover Used on Flush, Extended and Guarded Momentary and Maintained Operators, and Standard Knob Selector Switch Operators.</p>	~	D7-AL01	51	1
	<p>Selector Switch Locking Attachment Locks selector switch in specified position</p>	2-Position Selector Switches, Left Lock	D7-ASL2L	51	1
		3-Position Selector Switches, Center Lock	D7-ASL3C	51	1
	<p>Selector Switch Locking Attachment Ability to put two locks on standard knob selector switch.</p>	2- or 3-Position Selector Switches, All Positions	D7-ASL23A	58	1



H
D7 Pilot Devices

Protective Guards

Component	Description	Type	Catalog Number	Price Ea.	Pkg. Qty.
	40 mm Protective Guard used with illuminated and non-illuminated momentary mushroom operators (40 mm) only.	Shiny Metal	D7-AMMG	40.50	1
	Protective Ring for use with <ul style="list-style-type: none"> • Illuminated/Non-Illuminated 2-Position Maintained • Illuminated/Non-illuminated 3-Position Mushroom (30mm and 40mm only) 	Shiny Metal	D7-AMRG	44	1
		Black Metal	D7-AMRGB	78	
		Yellow Metal	D7-AMRGY		
	Plastic Guard for use with the following operators: <ul style="list-style-type: none"> • 40mm E-Stop (SEMI Standards Compliant) • 40mm Illuminated/Non-Illuminated Maintained and Momentary operators • 60mm Illuminated/Non-Illuminated Momentary operators • Selector Switches (standard knob and key operated) • Potentiometer 	Yellow, Round	D7-A6PR5	15.50	1
	Narrow Plastic Guard for use with the following operators: <ul style="list-style-type: none"> • D7D Monolithic E-Stops • Flush/Extended/Guarded Push Buttons • Maintained Operators (SEMI standards compliant) • Selector Switches (standard knob and key operated) • Potentiometers 	Yellow, Plastic	D7-AMEGY	18.50	1
	Clear Silicone Protective Boot used on illuminated and Non-illuminated, flush and extended operators. Note: Sold in multiples of 10. Order (quantity of) 10 to receive one package of 10 pieces.	Flush Push Button	D7-AB7	12.85	10
		Extended Push Button	D7-ABE7	12.85	
		3-Position Multi-Function	D7-AUB1	17	
		2-Position Multi-Function	D7-AUB2	17	

D7 Pilot Devices

Accessories

Component	Description	Material	Catalog Number	Price Ea.	Pkg. Qty.
	Replacement Boot for Toggle Switch (D7M-JMR)	Silicone	D7-ABJS	17	1
		Nitrile	D7-ABJN		
	Hole Plug used to plug 22.5mm holes. - UL Type 4, 4X, 13, IP66	Black Plastic	D7-N2	6.20	1
		Gray Plastic	D7-N8		

Complete Kits with Special Contact Blocks ①④

P			X			0			1			L		
Mounting Latch			Contact Block Style ①			NO Circuits ④			NC Circuits ④			Specialty Blocks ①②		
Code	Description	Price Ea.	Code	Description	Price Adder	Code	Description	Price Adder	Code	Description	Price Adder	Code	Description	Price Adder
P	Plastic Latch	6.00	X	Screw Termination	0	0	No Contact	0	0	No Contact	0	blank	Standard blocks	0
M	Metal Latch	7.75	Q	Screwless Termination ③	.85	1	1 NO	13.70	1	1 NC	13.70	V	Low voltage	8.55
						2	2NO	27.40	2	2 NC	27.40	E	NO, early make	0
						3	3 NO	41.10	3	3 NC	41.10	L	NC, late break	0
						4	4 NO	54.80	4	4 NC	54.80	S	Guardian block	13.70
						5	5 NO	68.50	5	5 NC	68.50			

Ordering Example:

Select Operator Only: **D7M-E4** List: \$10.15 (from page H8)
 (Momentary pushbutton metal operator, extended, red blank cap)
 Back of panel requirements: Plastic latch, screw type termination, 1 NC late break contact block
P - Plastic Latch \$6.00 \$6.00
X - Screw terminals *no adder* ~
0 - No Contact required *no adder* ~
1 - 1 NC, late break contact blocks \$13.70 \$13.70
L - 1 NC, late break contact blocks *no adder* ~
Total List Price adder for "PX01L" = \$19.70

Complete Kit Catalog Number: **D7M-E4PX01L** List Price **\$22.80** (\$10.15 + \$12.65)

- ① Configuration must be the same contact block style. Example: X11E acceptable sequence (X2Q1 Not Possible)
- ② Specialty blocks can not be combined. Example: X01L acceptable sequence (X11EV not possible).
- ③ Screwless terminations available in NO and NC standard contact blocks only.
- ④ Up to 6 contact blocks (in any combination) can be attached. Up to 4 additional contacts when using the Guardian contact block.

Complete Illuminated Kits with Special Power Modules ①

P			N			3			R	
Mounting Latch			Power Module Type ①			Voltage			LED Color ②	
Code	Description	Price Ea.	Code	Description	Price Adder	Code	Description	For lens color...	use code...	
P	Plastic Latch	6.00	D	Incandescent module, screw type	39.35	0	No bulb (<i>deduct \$4.40</i>)	Green	G	
M	Metal Latch	7.75	N	Integral LED module, screw type	39.35	1	6V AC/DC	Red	R	
						2	12V AC/DC	Amber	W	
						3	24V AC/DC ②	Yellow		
						4	48V AC/DC	Blue		
						5	120V AC/DC ②	Clear		
						7	240V AC/DC ②③			

Ordering Example:

Select Operator Only: **D7P-P4** List: \$5.40 (page H54)
 (Plastic pilot light, red blank lens color)
 Back of panel requirements: Plastic latch, Integral LED, 24VDC, Red Light
P - Plastic Latch \$6.00 \$6.00
N - Integral LED Module \$39.35 \$39.35
3 - Voltage 24VDC *no adder* ~
R - Red LED Color *no adder* ~
Total List Price adder for "PN3R" = \$45.35

Complete Kit Catalog Number: **D7P-P4PN3R** List Price **\$53.75** (\$8.40 + \$45.35)

- ① LED modules for use with all illuminated operators. Incandescent module for use with pilot lights, push buttons, and momentary mushroom operators only.
- ② Integral LED module available in 24V AC/DC, 120V AC or 240V AC only.
- ③ Available as neon bulb, not incandescent bulb.

Complete Kits with Power Modules and Special Contact Blocks ①②

M			N			5		G		Continued
Mounting Latch			Power Module Type ②			Voltage		LED Color ③		
Code	Description	Price Ea.	Code	Description	Price Adder	Code	Description	For lens color...	use code...	
P	Plastic Latch	6.00	D	Incandescent module, screw type	39.35	0	No bulb (<i>deduct \$4.40</i>)	Green	G	
M	Metal Latch	7.75	N	Integral LED module, screw type	39.35	1	6V AC/DC	Red	R	
						2	12V AC/DC	Amber	W	
						3	24V AC/DC ③	Yellow		
						4	48V AC/DC	Blue		
						5	120V AC/DC ③	Clear		
						7	240V AC/DC ③④			

Q			1			1			Specialty Blocks		
Contact Block Style			NO Circuits ①			NC Circuits ①					
Code	Description	Price Adder	Code	Description	Price Adder	Code	Description	Price Adder	Code	Description	Price Adder
X	Screw Termination	0	0	No Contact	0	0	No Contact	0	blank	Standard blocks	0
Q	Screwless Termination	.85	1	1 NO	13.70	1	1 NC	13.70	V	Low voltage	8.55
			2	2NO	27.40	2	2 NC	27.40	E	NO, early make	0
			3	3 NO	41.10	3	3 NC	41.10	L	NC, late break	0
			4	4 NO	54.80	4	4 NC	54.80	S	Guardian block	13.70
			5	5 NO	68.50	5	5 NC	68.50			

Ordering Example:

Select Operator Only: **D7M-LF3** ▼ List: \$13.20 (page H12)

(Illuminated momentary pushbutton, green blank lens cap color)

Back of panel requirement: Metal latch, screwless LED power module termination, 120VAC, Green Light, 1 NO and 1 NC standard contact blocks





M - Metal latch	\$7.75	\$7.75
N - Integral LED Module	\$39.35	\$39.35
5 - Voltage 120V AC/DC	<i>no adder</i>	~
G - Green LED Color	<i>no adder</i>	~
Q - Screwless terminals	<i>(add \$0.85 per contact block)</i>	~
1 - 1 NO contact block	\$13.70 + \$0.85	\$14.55
1 - 1 NC contact block	\$13.70 + \$0.85	\$14.55



Total Adder List price for "MQ5GQ11" = \$76.20


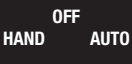
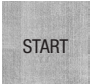


Complete Kit Catalog Number: **D7M-LF3MN5GQ11** List Price **\$96.70** (\$20.50 + \$76.20)

- ① Four circuits maximum allowable when power module is used. Do not stack contact block on power module.
- ② LED modules for use with all illuminated operators. Incandescent module for use with pilot lights, push buttons, and momentary mushroom operators only.
- ③ Integral LED module available in 24V AC/DC, 120V AC or 240V AC only.
- ④ Available as neon bulb, not incandescent bulb.

Legend Plates

Component	Description	Catalog Number	Price Ea.	Pkg. Qty
	Legend Plate Frame 30 x 40 mm	D7-110	2.10	10
	Legend Plate Frame 30 x 50 mm	D7-120	2.10	10
	Legend Plate Frame (for use with multi-function operator) 30 x 60 mm	D7-200	2.10	10
	Legend Plate Frame (for use with multi-function operator) 50 x 50 mm	D7-400	2.10	10

Component	Description	Catalog Number	Price Ea.	Pkg. Qty
	Legend Plate - (blank) 30 x 40 mm White plastic Black plastic Aluminum	D7-34WE100 D7-34BE100 D7-34AE100	3.45	10
	Legend Plate - (blank) 30 x 50 mm White plastic Black plastic Aluminum	D7-35WE100 D7-35BE100 D7-35AE100	3.45	10

Component	Description	Catalog Number (blank)	Price Ea.	Pkg. Qty	Catalog Number (with text symbol)	Price Ea.	Pkg. Qty
	Legend Plate - for D7-110 Legend Plate Frame White with black text Black with white text Aluminum with black text	D7-17WE100 D7-17BE100 D7-17AE100	1.40	10	D7-17W***** D7-17B***** D7-17A*****	4.85	1
	Legend Plate - for D7-120 & D7-200 Legend Plate Frame White with black text Black with white text Aluminum with black text	D7-18WE100 D7-18BE100 D7-18AE100	1.40	10	D7-18W***** D7-18B***** D7-18A*****	4.85	1
	Legend Plate - for D7-400 Legend Plate Frame ① White with black text Black with white text Aluminum with black text	D7-42WE100 D7-42BE100 D7-42AE100	1.40	10	D7-42W***** D7-42B***** D7-42A*****	4.85	1
	Legend Plate 30 x 40 mm White plastic Black plastic Aluminum	D7-34WE100 D7-34BE100 D7-34AE100	3.45	10	D7-34W***** D7-34B***** D7-34A*****	6.85	1
	Legend Plate 30 x 50 mm White plastic Black plastic Aluminum	D7-35WE100 D7-35BE100 D7-35AE100	3.45	10	D7-35W***** D7-35B***** D7-35A*****	6.85	1

Example: **Cat. No. D7-17WE101** identifies a white legend plate with blank text, 30 x 40 mm snap-in legend plate with AUTO engraved in it.



- Select the catalog number for the appropriate legend size and color from the Selection Tables on this page.
- Complete the catalog number by adding the appropriate suffix number starting on page H78.

- ① Three snap-in legend plates are required for each D7-400 legend plate frame.

Standard Text/Symbols Ordering Information

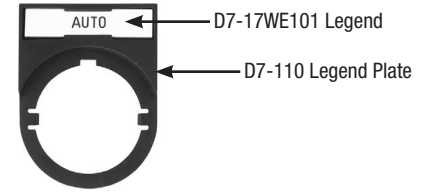
1. Select the catalog number for the appropriate legend size and color from the Selection Tables on page H74.
2. Complete the catalog number by adding the appropriate suffix number starting on page H78. Font size is automatically determined by the number of characters, as shown in the following table. *Do not add the font code to the catalog number.*

Font Size (automatically selected)	No. of Characters Allowed		
	One-Piece Legend Plate	Two-Piece Legend Plate	Special Multi-Function Legend Plate
K (small)	>14	>13	>6
S (standard)	≤14	≤13	≤6

Example: **Cat. No. D7-17WE101** identifies a white, 30 x 40 mm snap-in legend plate with **AUTO** engraved on it. Font size: S = 0.10 in., order D7-110 legend plate separately.

- 1 Three snap-in legend plates are required for each D7-400 legend plate frame.
- 2 Blank legend frames sold only in multiples of 10. Order (quantity of) 10 to receive one package of 10 pieces. Legends with standard text/symbols or custom text are packaged in quantities of 1.
- 3 Font code K = 0.08 in.; font code S = 0.10 in.; font code L = 0.14 in.

Example of Standard Text/Symbol Legend Plate



Custom Text Legend Plate Order Form

(Text not found on pages H78...H79) ②③

Fax completed form to:

In USA 800-739-7370 or in Canada 905-475-0027

Customer Information:

Company: _____

Address: _____

City: _____ State: _____ Zip: _____

Today's Date: _____ Order Form _____ of _____

Contact Name: _____

Telephone: _____

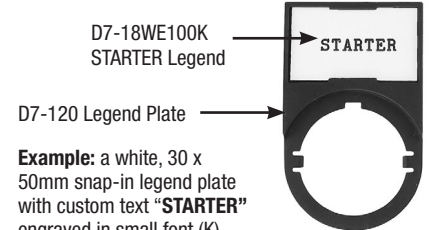
Job Reference/PO #: _____

Ordering Instructions:

1. Select the cat. no. for the appropriate legend size and color from the Selection Tables on page H74.
2. Add **E100** followed by the font code (K, S, L) from the following table.

Font Size	Type of Legend Plate								List Price Each	Pkg. Qty.
	One-Piece			Two-Piece			Special Multi-Function			
	Max. Char. per Line	Max. No. of Lines		Max. Char. per Line	Max. No. of Lines		Max. Char. per Line	Max. Lines		
	D7-34...	D7-35...		D7-110	D7-120, D7-200		D7-400 ①			
K (small)	16	2	5	15	2	5	7	3	8.25	1
S (standard)	14	2	3	13	1	3	6	3		
L (large)	10	1	3	9	1	3	4	2		

Example of Custom Text Legend Plate



Example: a white, 30 x 50mm snap-in legend plate with custom text "STARTER" engraved in small font (K). Legend plate D7-120 ordered separately.

Completed number = **D7-18WE100K STARTER**

3. Complete the catalog number by adding custom text in the Legend Text Line columns below.

Legend Plate Size/Color				Font
D7-			E100	
Qty:		Of this exact plate		
Price:				
Legend Text	Line 1			
	Line 2			
	Line 3			
	Line 4			
	Line 5			

Legend Plate Size/Color				Font
D7-			E100	
Qty:		Of this exact plate		
Price:				
Legend Text	Line 1			
	Line 2			
	Line 3			
	Line 4			
	Line 5			

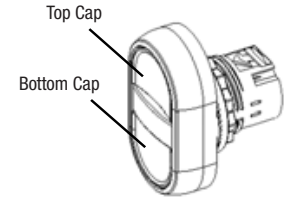
Legend Plate Size/Color				Font
D7-			E100	
Qty:		Of this exact plate		
Price:				
Legend Text	Line 1			
	Line 2			
	Line 3			
	Line 4			
	Line 5			

Line 4 and 5 only available in Small Font (K)

Use this form for ordering Custom Legend Plates only.

Custom Printed Cap Configurator Table ①②③

D7-A		F	3	C	E 166
Code		Type	Color		Suffix No.
E	Push button extended cap	0	Amber	See pages H77-79 for custom printed text/symbol options. Insert suffix code Exxx/Uxxx as shown.	
F	Push button flush cap, momentary	1	White		
FA	Pushbutton flush cap, maintained	2	Black		
FAU	Multi-function flush cap (for bottom cap)	3	Green		
EAU	Multi-function extended cap (for bottom cap)	4	Red		
FCU	Multi-function flush cap (for top cap)	5	Yellow		
ECU	Multi-function extended cap (for top cap)	6	Blue		
D	Pilot light diffuser	3	Default code for pilot light diffusers		
D	Illuminated push button diffuser, flush, momentary and maintained	2	Default code for flush diffusers		
D	Illuminated push button diffuser, extended and guarded	4	Default code for extended diffusers		



Multi-Function Cap Positions

Standard Text/Symbols (found on pages H77...H79) ④	Price Each	Pkg. Qty.
<ol style="list-style-type: none"> Select the cat. no. for the appropriate product and color from the Configurator Table above. Complete the cat. no. by adding the appropriate suffix no. for Standard Text or Symbol Example: Cat. No. D7-AF3CE166 identifies a flush, green cap with custom printed Standard text "ON". Font size is automatically determined by the number of characters. <i>Do not add a font code to the cat. no.</i> 	4.30	1

Font Size	No. of Characters Allowed
G (small) (12 pt.)	7
H (standard) (16 pt.)	5...6
J (large) (20 pt.)	1...4

Custom Text (NOT found on pages H78...H79)	Price Each	Pkg. Qty.
<ol style="list-style-type: none"> Select the cat. no. for the appropriate product and color from the Configurator Table above. Add E100 followed by the font code (G, H, J), based on the maximum number of custom characters. Complete the cat. no. by adding custom text to the order item's memo text or notes field. Example: Cat. No. D7-AF3CE100J FILL identifies a flush, green push button cap with custom printed text "FILL" in large font. 	7.75	1

Font Size	Max. No. of Characters	Max. No. of Lines
G (small) (12 pt.)	7	1
H (standard) (16 pt.)	5...6	1
J (large) (20 pt.)	1...4	1

Custom Symbols/Graphics (Not found on pages H77...H79)	Price Each	Pkg. Qty.
<ol style="list-style-type: none"> Select the cat. no. or the appropriate product and color from the Configurator Tables on this page. Add U100 to identify the custom symbol or graphic. Please contact your local Sprecher + Schuh sales office to submit the graphic (in TIF/TIFF format). Example: Cat. No. D7-AD3CU100 	7.75	1

- ① Package quantity of one for all standard custom printed caps and diffusers.
- ② Standard font is Arial Narrow
- ③ Font size is automatically determined by the number of characters. Seven characters maximum allowable.
- ④ Seven characters maximum allowable.

Standard Symbols *

Marking	Description	Std.	Suffix No.	Marking	Description	Std.	Suffix No.*§	Marking	Description	Std.	Suffix No.*§
(Blank)	Blank	—	U100		CONTINUOUS ROTATION TO LEFT	ISO 7B	U708		SETUP	DIN 986	U855
	START ‡§¶	ISO 71	U219		INTERRUPTED ROTATION TO LEFT	—	U710		COOLANT FLUID	ISO 101	U875
	— ‡§¶	ISO 72	U220		INTERRUPTED ROTATION TO RIGHT	—	U711		LIGHT	ISO 139, 102	U876
	START ‡§¶	ISO 5232	U221		DIRECTION OF SPINDLE SPEED	—	U717		WEIGHT	—	U877
	CONTINUOUS MOTION LEFT, RIGHT ▶	—	U226		FEED	ISO 16	U720		REFILLING	DIN 256, ISO 104	U878
	CONTINUOUS MOTION UP, DOWN ▶	—	U227		REDUCED SPEED	—	U723		FULL LEVEL	—	U879
	STOP	—	U228		RAPID FEED	—	U724		DRAIN	DIN 257, ISO 106	U880
I	STEP 1	—	U229		NORMAL FEED	—	U725		OVERFLOW	DIN 258, ISO 105	U881
II	STEP 2	—	U230		LONGITUDINAL FEED	—	U726		OIL LUBRICATION	DIN 175, ISO 107	U882
0-I	STOP-START ▶	—	U231		TRANSVERSE FEED	—	U727		BLOWING UNIT	DIN 263, ISO 108	U883
I-0	START-STOP ▶	—	U232		RAPID TRANSVERSE	ISO 26	U728		SUCTION UNIT	DIN 264, ISO 109	U884
I-II	— ▶	—	U233		THREADING	—	U729		STEPLESS OPERATION	ISO 61	U900
I-0-II	— ▶	—	U234		INCREASE	ISO 28	U730		CLAMP OR TIGHTEN	ISO 63A	U901
←-0-I	— ▶	—	U236		DECREASE	ISO 29	U731		CLAMP OR TIGHTEN	—	U902
	— ▶	—	U237		CONVENTIONAL MILLING	—	U736		LOOSEN	ISO 64A	U903
I-II-III	— ▶	—	U240		CLIMB MILLING	—	U737		LOOSEN	—	U904
	CONTINUOUS MOTION	—	U241		ELECTRIC MOTOR	ISO 41	U800		BRAKE ON	ISO 65	U905
	CONTINUOUS MOTION	—	U242		TURNING SPINDLE	—	U803		BRAKE RELEASE	ISO 66	U906
	CONTINUOUS MOTION	—	U243		DRILLING SPINDLE	—	U804		AUTO CYCLE	—	U907
III	STEP 3	—	U249		MILLING SPINDLE	—	U805		MANUAL	DIN 35	U908
0- →	— ▶	—	U256		GRINDING SPINDLE	—	U806		START	ISO 69	U909
I-0-I	START-STOP-START	—	U282		PUMP	ISO 48	U807		STOP	ISO 70	U910
0-1-2	— ▶	—	U285		COOLANT PUMP	—	U808		TAKE ACTION WHEN CONTROL IS OPERATING	—	U912
IV	STEP 4	—	U604		LUBRICATION PUMP	—	U809		ENGAGE	DIN 46, ISO 74	U913
V	STEP 5	—	U605		HYDRAULIC SYSTEMS PUMP	—	U810		DISENGAGE	DIN 45, ISO 74	U914
→	CONTINUOUS MOTION	ISO 1	U700		HYDRAULIC MOTOR	—	U811		ENGAGE TRACE	—	U917
	LINEAR MOTION TWO DIRECTIONS	ISO 2	U701		TRACER	—	U812		DISENGAGE TRACE	—	U918
	VERTICAL MOTION	—	U702		SHEAR PIN CONSTRUCTION	ISO 91	U850		CHANGE SPEED ONLY IN STOPPED POSITION	—	U919
	INTERRUPTED MOTION ‡§	—	U703		ATTENTION/DANGER	DIN 131, ISO 92	U851		CHANGE SPEED ONLY WHEN IN MOTION	—	U920
	LIMITED MOTION ‡§	ISO 4	U704		CAUTION	ISO 93	U852		CONTINUOUS ADJUSTMENT	ISO 62	U921
	LIMITED MOTION AND RETURN ‡§	ISO 5	U705		MAIN SWITCH	ISO 94	U853		AUTOMATIC OR SEMI-AUTOMATIC CYCLE	DIN 267	U922
	OSCILLATING MOTION, CONTINUOUS CYCLE ‡§	—	U706		ACOUSTIC WARNING EQUIPMENT	DIN 155	U854		RESET	—	U924
	CONTINUOUS ROTATION TO RIGHT ‡§	DIN 100, ISO 7A	U707								

* Items in gray shaded table cells only available on legend plates. Not available as custom printed text on button caps, illuminated push button diffusers, or pilot light diffusers.
 ‡ Not available on -17 legend plates.

‡ Not available on -18 legend plates.
 § Not available on -34 legend plates.
 ¶ Not available on -35 legend plates.
 ▶ Not available on -42 legend plates.

Standard Text *

Marking	Suffix No.	Marking	Suffix No.	Marking	Suffix No.	Marking	Suffix No.	Marking	Suffix No.
(Blank)	E100	FOR-OFF-REV ▶	E261	LAST STOP	E278	PULL TO RESET	E176	START	E208
I-O-AUTO §♣▶	E235	FOR-REV ▶	E253	LEFT	E145	PUMP STOP	E290	START CYCLE	E209
ACCU-STOP ▶	E284	FOR-STOP-REV ▶	E254	LEFT-RIGHT ▶	E146	PURGE	E271	START-JOG ▶	E210
AT SPEED ▶	E285	FORWARD	E120	LOCAL-REMOTE ▶	E147	PUSH TO STOP	E179	START STOP ▶	E211
AUTO	E101	FORWARD-AUTO-REVERSE ▶	E121	LOW	E148	PUSH TO STOP-TWIST OR PULL RELEASE *§▶	E262	STOP	E212
AUTO-O-HAND §♣▶	E250			LOW-HIGH ▶	E149			STOP-CYCLE ▶	E213
AUTO-HAND ▶	E102	FORWARD-OFF-REVERSE ▶	E122	LOW-OFF-HIGH ▶	E150	PUSH-TO-TEST	E181	STOP-RESET ▶	E214
AUTO-MAN-OFF ▶	E103			LOW SPEED	E151	RAISE	E182	STOP-START ▶	E215
AUTO-MANUAL ▶	E286	FORWARD-STOP-REVERSE ▶	E123	LOWER	E152	RAISE-LOWER ▶	E183	SUMMER-OFF-WINTER ▶	E216
AUTO-OFF-HAND ▶	E104			LOW-OFF-RAISE ▶	E153	RAISE-OFF-LOWER ▶	E184		
BLOWER	E268	FORWARD-REVERSE ▶	E124	LOWER-RAISE ▶	E154	READY	E185	SUMMER-WINTER ▶	E217
BRAKE	E105			MANUAL	E155	RESET	E186	SUPPLY ON	E218
BYPASS-OFF-DRIVE §♣▶	E297	FULL SPEED	E125	MAN-O-AUTO §♣▶	E238	RETURN	E187	TEST	E219
BYPASS ON §♣▶	E295	HAND	E126	MAN-AUTO ▶	E258	REV-FOR ▶	E260	TRANSFER ▶	E220
BYPASS START §♣▶	E299	HAND-I-AUTO §♣▶	E239	MANUAL-AUTO ▶	E156	REVERSE	E188	TRIP	E221
BYPASS STOP §♣▶	E298	HAND-O-AUTO ▶	E283	MAN-OFF-AUTO ▶	E259	REVERSE-FORWARD ▶	E189	UNCLAMP	E222
CLAMP	E106	HAND-AUTO ▶	E127	MANUAL-OFF-AUTO ▶	E157		E189	UP	E223
CLOSE	E107	HAND-OFF-AUTO ▶	E128	MOTOR RUN	E158	REVERSE-OFF-FORWARD ▶	E190	UP-DOWN ▶	E224
CYCLE START	E108	HAND ON	E264	MOTOR RUNNING	E159			UP-OFF-DOWN ▶	E225
DECREASE ▶	E109	HAND OFF	E263	MOTOR START	E160	RIGHT	E191		
DRIVE-START ▶	E287	HAND START	E265	MOTOR STOP	E161	RIGHT-LEFT ▶	E192		
DRIVE-STOP ▶	E288	HAND STOP	E266	MOTOR STOPPED	E162	ROTATE CW	E246		
DOWN	E110	HEAT	E270	NO FLIP	E275	ROTATE CCW	E247		
DOWN-OFF-UP ▶	E111	HIGH	E129	OFF	E163	RUN	E193		
DRIVE ON §♣▶	E296	HIGH-LOW ▶	E130	OFF CIRCUIT	E244	RUN-JOG ▶	E194		
EMERG STOP ▶	E251	HIGH-OFF-LOW ▶	E131	OFF-COOLANT-ON ▶	E164	RUN-SAFE-JOG ▶	E195		
EMERGENCY	E248	IN	E132	OFF-LIGHT-ON ▶	E272	RUNNING	E243		
EMERGENCY OFF ▶	E294	IN-OUT ▶	E133	OFF-ON ▶	E165	SAFE	E196		
EMERGENCY STOP ▶	E112	INCH	E134	ON	E166	SAFE-RUN ▶	E197		
ENABLE	E279	INCH-REV ▶	E257	ON CIRCUIT	E245	SETUP	E198		
ENTER	E277	INCH-REVERSE ▶	E135	ON-OFF ▶	E167	SETUP-RUN ▶	E302		
ERROR	E273	INCH-RUN ▶	E136	ON-OFF-AUTO ▶	E168	SETUP-SERVICE ▶	E199		
EXHAUSTER ▶	E269	INCREASE ▶	E137	ON-STOP-SAFE ▶	E169	SEQUENCE-TEST ▶	E200		
FAULT	E113	INSPECT	E274	OPEN	E170	SLOW	E201		
FAST	E114	JOG	E138	OPEN-CLOSE	E171	SLOWER	E202		
FAST-OFF-SLOW ▶	E289	JOG-FOR ▶	E255	OPEN-OFF-CLOSE ▶	E172	SLOWEST	E203		
FASTER	E115	JOG-FORWARD ▶	E139	OUT	E173	SLOW-FAST ▶	E204		
FEED START	E116	JOG-OFF-RUN ▶	E140	OVERLOAD ▶	E267	SLOW-OFF-FAST ▶	E205		
FEED STOP	E117	JOG-REV ▶	E256	OVERLOAD TRIP ▶	E174	SLOW-STOP-FAST	E206		
FEEDER OFF	E118	JOG-REVERSE ▶	E141	OVERLOAD RESET ▶	E175	SLOW-OFF-START ▶	E207		
FEEDER ON	E119	JOG-RUN ▶	E142	POWER-OFF	E177	SLOW SPEED	E291		
FIFO	E276	JOG-SAFE-RUN ▶	E143	POWER ON	E178	SOFT STOP	E292		
FOR-AUTO-REV ▶	E252	JOG-STOP-RUN ▶	E144	PULL TO START	E180	SPEED	E293		

* Items in gray shaded table cells only available on legend plates. Not available as custom printed text on button caps, illuminated push button diffusers, or pilot light diffusers.
 * Not available on -17 legend plates.

‡ Not available on -18 legend plates.
 § Not available on -34 legend plates.
 ♣ Not available on -35 legend plates.
 ▶ Not available on -42 legend plates.

Standard Text
French (Special Order) *

Marking	Suffix No.	Marking	Suffix No.	Marking	Suffix No.	Marking	Suffix No.	Marking	Suffix No.
A-COUPS	F138	AVANT-ARRÊT-	F122	DESCENDRE ▶	F110	HORS MANUEL	F249	MANUEL-ARRÊT ▶	F211
ACCU-STOP ▶	F280	ARRIÈRE ▶		DROIT	F191	LENT	F201	MONTER	F182
ARRIÈRE	F188	AVANT-ARRIÈRE ▶	F124	EN	F247	LENT-ARRÊT-VITE ▶	F205	OUVRIR	F170
ARRÊT	F163	AV-ARR ▶	F290	EN CIRCUIT	F245	M FORCEE	F284	PANNE	F113
ARRÊT D'ENTR	F289	AV-HORS-ARR ▶	F253	EN MANUEL	F250	MANUEL	F126	RAP-HORS-LENT ▶	F285
ARRÊT DOUX	F288	BAS	F148	FERMER	F107	MANUEL-ARRÊT-AUTO ▶	F128	RAPIDE	F114
ARRÊT D'URGENCE ▶	F112	BAS-ARRÊT-HAUT ▶	F150	FREINAGE ▶	F105	MANUEL-AUTO ▶	F127	RÉGLER	F198
ARRÊT-MANUEL	F251	DEMAR. D-ENTR	F283	GAUCHE	F145	MANUEL-AUTO ▶	F127	SURCHARGE ▶	F254
ARRÊT-MARCHE ▶	F165	DEMAR.-MAN	F252	HAUT	F129	MANUEL-HORS-AUTO	F157	VARIEATEUR ALIMENTE §▶	F293
ARRÊT-POMPE	F286	DERIV-ARRET-EFN §▶	F294	HAUT-HORS-BAS ▶	F131			VIT. ATTEINT	F281
AUTO	F101	DERIV ARRET §▶	F295	HORS	F246	MARCHE	F166	VIT. LENTE	F287
AUTO-MANUEL ▶	F282	DERIV MARCHE §▶	F296	HOR CIRCUIT	F244	–	–	VITESSE	F291
AVANT	F120	DERIVATION ALIMENTE §▶	F292	HORS-EN ▶	F248	–	–	–	–

Spanish (Special Order) *

Marking	Suffix No.	Marking	Suffix No.	Marking	Suffix No.	Marking	Suffix No.	Marking	Suffix No.
ABRIR	S170	ARRANQUE	S166	DERECHA	S191	MARCHA	S208	PARADA-MARCHA ▶	S165
ADELANTE ▶	S120	ATRAS	S188	EN SERVICIO ▶	S243	MARCHA-PARADA ▶	S211	PARO	S163
ADELANTE-ATRAS ▶	S124	BAJADA	S152	IZQUIERDA ▶	S145	PARAD	S212	SUBIDA	S182
ADELANTE-PARADA-ATRAS ▶	S123	BAJAR	S110	MANUAL	S126	PARADA DE EMERGENCIA ▶	S112	SUBRIR	S223
		CERRAR		MANUAL-AUTO ▶	S127			–	–

German (Special Order) *

Marking	Suffix No.	Marking	Suffix No.	Marking	Suffix No.	Marking	Suffix No.	Marking	Suffix No.
AB	G110	EINRICHTEN ▶	G198	LANGSAM	G201	ÖFFNEN	G170	VOR	G120
AUF	G223	HAND	G128	LINKS	G145	RECHTS	G191	VOR-AUS-ZURÜCK ▶	G122
AUS	G163	HAND-AUS-AUTO ▶	G128	LINKS-RECHTS ▶	G146	SCHNELL	G114	VOR-ZURÜCK ▶	G124
AUS-EIN ▶	G165	HAND-AUTO ▶	G127	NIEDRIG	G148	SENKEN	G152	ZU	G107
BETRIEB	G243	HEBEN	G182	NIEDRIG-AUS-HOCH ▶	G150	STÖRUNG	G113	ZURÜCK	G188
EIN	G166	HOCH	G129	NOT AUS	G112	—	—	—	—

Italian (Special Order) *

Marking	Suffix No.	Marking	Suffix No.	Marking	Suffix No.	Marking	Suffix No.	Marking	Suffix No.
ABBASSARE ▶	T152	AVANTI-DSINS-INDIETRO ▶	T122	DISCESA	T110	IN SERVIZIO ▶	T243	MARCIA-ARRESTO ▶	T211
ALTO	T129			DISINS-INS ▶	T165	LENTO	T201	PREPARARE ▶	T198
APRIRE	T223	AVANTI-INDIETRO ▶	T124	DISINSERITO ▶	T163	MANUALE	T126	RAPIDO	T114
ARRESTO	T212	BASSO	T148	DISTUBO ▶	T113	MANUALE-AUTO ▶	T127	ROTAZIONE CW ▶	T246
ARRESTO EMERGENZA ▶	T112	BASSO-DISINS-ALTO ▶	T150	EMERGENZA ▶	T248	MANUAL-DISINS-AUTO ▶	T128	ROTAZIONE CCW ▶	T247
		DESTRA	T191	INDIETRO ▶	T188			SALITA	T182
AUTOMATICO ▶	T101	CHIUDERE ▶	T107	INSERITO ▶	T166	MARCIA	T208	SINISTRA ▶	T145
AVANIT	T120	—	—	—	—	—	—	—	—

Swedish (Special Order) *

Marking	Suffix No.	Marking	Suffix No.	Marking	Suffix No.	Marking	Suffix No.	Marking	Suffix No.
BACK	N188	HÖGER	N191	NER	N110	UPP	N223	VÄNSTER	N145
FRAM	N120	—	—	—	—	—	—	—	—

* Items in gray shaded table cells only available on legend plates. Not available as custom printed text on button caps, illuminated push button diffusers, or pilot light diffusers.

‡ Not available on -18 legend plates.

‡ Not available on -18 legend plates.

§ Not available on -34 legend plates.

♣ Not available on -35 legend plates.

▶ Not available on -42 legend plates.

Front-of-Panel (Operators) ①

Mechanical Ratings

Description		Plastic (D7P)	Metal (D7M)
Vibration (assembled to panel)	[G]	Tested at 10 ...2000Hz, 1.52mm displacement (peak-to-peak) max./10G max. for 3hr duration, no damage	
Shock	[G]	Tested at 1/2 cycle sine wave for 11ms; no damage at 100G	
Degree of protection ②		UL Type 3/3R/4/4X/12/13 (IP65/66)	UL Type 3/3R/4/12/13 (IP65/66)
Mechanical durability per EN 60947-5-1 (Annex C)		10,000,000 Cycles 1,000,000 Cycles 500,000 Cycles 300,000 Cycles 100,000 Cycles	Momentary push buttons, momentary mushroom Multi-function, Selector Switch, Key Selector Switch, Selector Jog Non-illuminated Push-Pull E-Stop Twist-to-Release E-Stop, Illuminated Push-Pull E-Stop, Maintained Push Buttons, selector switches Potentiometer, Toggle Switch
Operating forces (typical with one contact block)	[N]		Flush/extended = 5N E-stop = 36N Mushroom = 9N
Operating torque (typical application with one contact block)	[N·m]		Selector switch = 0.25 N·m (2.2 lb-in.)
Mounting torque	[N·m]	1.7 N·m (15 lb-in.)	4.4 N·m (40 lb-in.)
Environmental			
Temperature range (operating) ③	[°C]	-25...+70°C (-13...+158°F)	
Temperature range (short-term storage)	[°C]	-40...+85°C (-40...+185°F)	
Humidity	[%]	50...95% RH from 25...60°C (77...140°F) per: Procedure IV of MIL-STD-810C, Method 507.1 cycling test	
UV Ratings			
All plastic non-illuminated pushbutton caps & e-stops		UV grade polyester and polycarbonate blend, UL UV Category (f2)	
All plastic enclosures		UV grade polyester and polycarbonate blend, UL UV Category (f1)	

Back-of-Panel Components ①

Electrical Ratings

Standard Contact Block Ratings (See page H84)		A600, Q600 (Screwless A300, Q300) 600V AC (Screwless 300V AC) AC15, DC 13 to EN 60947-5-1 and UL 508, 17V, 5mA min.		
Low Voltage Contact Block Ratings (See page H84)		5V, 1mA DC min. C300, R150, AC 15, DC 13 to EN 60947-5-1 and UL 508		
LED Module Ratings	Nominal Voltage	Range	Current Draw	Frequency
	24...120V AC/DC	20...132V AC/DC	15 mA (AC), 12mA (DC)	50/60 Hz, DC
	24V AC	10...29V AC	31 mA	50/60 Hz
	24V DC	10...30V DC	24 mA	DC
	120V AC	102...132V AC	6 mA	50/60 Hz
	240V AC	204...264V AC	6 mA	50/60 Hz
Thermal current	[A]	10 A max. enclosed (40°C ambient) to UL 508, EN 60947-5-1		
Wire capacity	Screw terminal ⑤ [AWG]	#18...12 AWG (0.75...2.5mm ²) - Max. (2) #14 AWG or (1) #12 AWG		
	Spring-clamp terminal [AWG]	#18...14 AWG (0.75...1.5mm ²) One per spring clamp, two spring clamps per terminal		
Recommended tightening torque on screw terminals	[N]	0.7...0.9 N·m (6...8 lb-in.)		
Insulation voltage	[U _i]	U _i = 690 V (screw terminal), U _i = 300 V (screwless terminal)		
Dielectric strength (minimum)	[V]	2500V for one minute		
External short circuit protection	Standard blocks	10 A type gL/gG cartridge fuse to EN 60269-2-1 or gN (Class J to UL 248-8 or Class C to UL 248-4)		
	Low voltage contact blocks	6 A type gL/gG cartridge fuse to EN 60269-2-1 or gN (Class J to UL 248-8 or Class C to UL 248-4)		
Electrical shock protection		Finger-safe conforming to IP2X		

Mechanical Ratings

Vibration (assembled to panel)	[G]	10...2000 Hz, 1.52mm displacement (peak-to-peak) max./10G max. 6hr
Shock	[G]	Tested at 1/2 cycle sine wave for 11ms and no damage at 100G max.
Contact durability per EN 60947-5-1 (Annex C)		10,000,000 cycles
Contact operation	NO	Slow double make and break
	NC, Guardian Block, GCB	Slow double make and break - positive opening ⊖
	NOEM	Double break / double make / early make
	NCLB	Double break / double make, late break - positive opening ⊖
	NCEB	Double break / double make, early break - positive opening ⊖

- ① Performance data given in this publication is provided only as a guide for the user in determining suitability and do not constitute a performance warranty of any kind. Such data may represent the results of accelerated testing at elevated stress levels, and the user is responsible for correlating the data to actual application requirements. ALL WARRANTIES AS TO ACTUAL PERFORMANCE, WHETHER EXPRESS OR IMPLIED, ARE EXPRESSLY DISCLAIMED.
- ② Momentary mushroom operators are IP65, multi-function operators have no Type 13 rating. Plastic operators with keys have no Type 4X rating.
- ③ Operating temperatures below 0°C (32°F) are based on the absence of freezing moisture and liquids, UL recognized to 55°C (131°F) - incandescent module, max 40°C (104°F).
- ④ Low voltage contacts are recommended for applications below 17V, 5 mA.
- ⑤ Wires less than #18 (0.75mm²) may not hold in terminal securely.

Back-of-Panel Components , continued

Push button travel to change electrical state		N.C. and N.O.E. M. 1.5 mm (0.060 in.) N.O. and N.C.L.B. 2.5 mm (0.1 in.)
Operating forces (typical)	[N]	3.4 N: each single circuit contact block 5...6.5 N: each dual circuit contact block

illumination

LED dominant wavelength	Green	[nm]	525 nm
	Red		629 nm
	White		—
LED luminous intensity	Green	[mcd]	780 mcd
	Red		780 mcd
	White		360 mcd
Incandescent maximum wattage	[W]		2.6W

Materials

Springs		Stainless steel and zinc coated music wire
Electrical contacts	Standard	Silver-nickel
	Low voltage	Gold-plated over silver
Terminals	Screw	Brass
	Screwless	Silver-plated brass

Environmental Approval Note: Front elements UL Recognized; Complete assemblies UL Approved.
See Table A2 for your application.

This table is extracted from Sprecher + Schuh's UL 508A file and can be used to determine which D7 Pilot Device is approved for a particular enclosure type.

TABLE A2 - Openings in Enclosure

Enclosure Type	Openings May Be Closed By Equipment Marked...
2	2, 3, 3R, 3S, 4, 4X, 6, 6P, 11, 12, 12K, 13
3	3, 3R, 3S, 4, 4X, 6, 6P
3R	3, 3R, 3S, 4, 4X, 6, 6P
3S	3, 3R, 3S, 4, 4X, 6, 6P
4	4, 4X, 6, 6P
4X	4X
6	6, 6P
6P	6P
11	11
12, 12K	12, 12K, 13
13	13

Product Certifications

Certifications	UL, UR (E193035), CSA (206918), CCC, CE
Conformity of Standards - CE marked	NEMA ICS-5; UL 508, EN ISO13850, EN 60947-1, EN 60947-5-1, EN 60947-5-5
Terminal identification	IEC 60947-1
Shipping approvals	ABS
RoHS	✓

! Performance data given in this publication is provided only as a guide for the user in determining suitability and do not constitute a performance warranty of any kind. Such data may represent the results of accelerated testing at elevated stress levels, and the user is responsible for correlating the data to actual application requirements. ALL WARRANTIES AS TO ACTUAL PERFORMANCE, WHETHER EXPRESS OR IMPLIED, ARE EXPRESSLY DISCLAIMED.

Material Listing

Component	For Use with	Material Used
Panel gasket	All operators	Nitrile, TPE
Diaphragm seal	Illuminated push button, non-illuminated push button	Automotive industry acceptable silicone
K-seal	Selector switch, key selector switch, push/twist-to-release E-stop, key E-stop, push/pull mushroom	Nitrile
Diaphragm retainer, return spring I	Illuminated push button, non-illuminated push button, momentary mushroom	Stainless steel
Return spring II	Reset, selector switch, key selector switch, maintained action, push/twist-to-release E-stop, key E-stop, push/pull mushroom	Zinc coated music wire
Button cap/mushroom head	Non-illuminated push button, momentary mushroom, reset, push/twist-to-release E-stop, key E-stop, push/pull mushroom, multi-function	PBT/polycarbonate blend
2-color molded button cap	Non-illuminated push button	PBT/polycarbonate blend
Lens	Multi-function	Acetal
Lens, knob	Illuminated push button, illuminated momentary mushroom, illuminated selector switch	Polyamide
Knob	Non-illuminated selector switch	Glass-filled polyamide
Plastic bezel/bushing I	Non-illuminated push button, illuminated push button, momentary mushroom, selector switch, key selector switch, push/twist-to-release E-stop, key E-stop, push/pull mushroom, multi-function, reset	Glass-filled polyamide
Plastic bezel/bushing II, jam nut	Pilot light, reset jam nut, reset pusher	Glass-filled PBT
Metal bezel/bushing	All metal operators	Zinc
Diffuser	Illuminated push button, pilot light	Polycarbonate
Legend frames	—	Glass-filled polyamide
Plastic mounting ring	All plastic operators	Glass-filled polyamide
Metal mounting ring	All metal operators	Chromated zinc
Plastic latch	—	Glass-filled polyamide
Metal latch	—	Chromated zinc + stainless steel
Plastic enclosure	—	PBT/polycarbonate blend
Metal enclosure	—	Aluminum
Terminal screws	LED module, incandescent module, contact blocks	Zinc-plated steel with chromate
Terminals	LED module, incandescent module, contact blocks	Brass with silver-nickel contacts
Screwless	LED module, incandescent module, contact blocks	Stainless steel
Lamp socket	Incandescent module	Brass
Housing	Incandescent module, LED module	Glass-filled polyamide
Low voltage terminals	Contact blocks	Gold plated silver-nickel contacts
Low voltage spanner	Contact blocks	Gold-plated silver-nickel contacts
Spanner	Contact blocks	Brass with silver-nickel contacts
Boot	Toggle Switch, illuminated push button, non-illuminated push button, multi-function illuminated an non-illuminated	Automotive industry acceptable silicone

Specifications

Mechanical Ratings

Vibration (assembled to panel)	Tested at 10...2000 Hz, 1.52 mm displacement (peak-to-peak) max./10 G max. for 3 hr duration, no damage	
Shock	Tested at 1/2 cycle sine wave for 11 ms; no damage at 100 G	
Degree of protection	IP 66 (Type 3/3R/4/4X/12/13)	
mechanical durability per EN 60947-5-1 (Annex C)	2,000,000 Cycles	Momentary Push Button
	300,000 Cycles	Selector Switch and E-Stop/Push-Pull
Operating forces	Flush/Extended = 9 N, E-stop = 36 N	
Operating torque (typical application with one contact block)	Selector Switch = 0.25 N•m	
Contact operation	N.O.	Slow double make and break
	N.C.	Slow double make and break - positive opening ⊖
Push button travel to change electrical state	N.O.	2.5 mm (0.1 in.)
	N.C.	1.5 mm (0.060 in.)

⊖ Positive Opening per EN60947-5-1 (applies to all NC contact block styles)

Environmental

Temperature range (operating) ①	-25...+60°C (-13...140°F)
Temperature range (short term storage)	-40...+85°C (-40...185°F)
Humidity	50...95% RH from 25...60°C (77...140°F)

UV Ratings

All plastic non-illuminated pushbutton caps & e-stops	UV grade polyester and polycarbonate blend, UL UV Category (f2)
All plastic enclosures	UV grade polyester and polycarbonate blend, UL UV Category (f1)

Electrical Ratings

Standard contact block ratings	B300, R300; AC 15, DC 13; 300 VAC; EN/IEC 60947-5-1 and UL 508, 17V, 5 mA min. (See page H84)			
LED Module Ratings	Nominal Voltage	Range	Nominal Current Draw	Frequency
	24V AC	20...26V AC	32 mA	50/60 Hz
	24V DC	18...30V DC	24 mA	DC
	120V AC	102...132V AC	22 mA	50/60 Hz
	240V AC	204...264V AC	22 mA	50/60 Hz
Thermal current	5 A max. enclosed (40°C ambient) to UL508, EN/IEC 60947-5-1			
Insulation voltage (Ui)	300V			
Wire capacity (screw terminal)	#18...14 AWG (0.75...2.5 mm ²), Max. (2) #14 AWG, uses same size wire only			
Recommendations for Ring Lug termination option ②	6.35 mm (0.250 in.) Max. outer diameter with 3.8 mm (0.148 in.) hole diameter			
Recommended tightening torque on screw terminals	0.7...0.9 N•m (6...8 lb-in.)			
Dielectric strength (minimum)	2500V for one minute			
External short circuit protection	5 A type gL/gG cartridge fuse to EN 60269-2-1 or gN (Class J to UL 248-8 or Class CC to UL 248-4)			
Electrical shock protection	Finger-safe conforming to IP2X			

Illumination

LED Dominant Wavelength	Green	Red	Yellow	Blue	White
	525 nm	629 nm	590 nm	470 nm	
LED Luminous Intensity	Green	Red	Yellow	Blue	White
	780 mcd	780 mcd	600 mcd	168 mcd	360 mcd
Incandescent maximum wattage	2.6 W				

Materials

Springs	Stainless steel and zinc coated music wire
Electrical contacts	Brass with silver-nickel contacts
Terminals	Brass and phosphor bronze
Panel gasket	nitrile and polyester-based TPE
Seal	Nitrile
Button cap/mushroom head	Polyester/polycarbonate blend
Lens (pilot light)	Acrylic
Knob (selector switch)	Glass-filled polyamide
Bezel/bushing, housing	Glass filled polyester
Legend frames	Glass filled polyamide
Mounting ring	Glass filled polyamide
Terminal screws	Zinc-plated steel with chromate
Lamp Socket	Brass and Phosphor bronze

Product Certifications

Certifications	UL, CSA, CCC, CE
Conformity to standards - CE marked	UL 508, EN ISO13850, EN 60947-1, EN 60947-5-1, EN 60947-5-5
Terminal Identification	EN/IEC 60947-1

① Operating temperatures below 0°C (32°F) are based on the absence of freezing moisture and liquids.

② 3M MV018-R/S (#22...18 AWG) or 3M MVU14-6R/S (#16...14 AWG)

IEC Ratings and Test Values for AC (50 and 60Hz) Control Circuit Contacts ②

Designation ① AC	Utilization Category	Conventional Thermal Current I_{the} (A)	Rated Operation Current I_e (A) at Rated Operational Voltage U_e						VA Rating	
			120V	240V	380V	480V	500V	600V	Make	Break
A600	AC-15	10.0	6.0	3.0	1.9	1.5	1.4	1.2	7200	720
B300	AC-15	5.0	3.0	1.5	~	~	~	~	3600	360
C300	AC-15	2.5	1.5	0.75	~	~	~	~	1800	180

IEC Ratings and Test Values for DC Control Circuit Contacts ②

Designation ① DC	Utilization Category	Conventional Thermal Current I_{the} (A)	Rated Operation Current I_e (A) at Rated Operational Voltage U_e					VA Rating	
			125V	250V	440V	500V	600V	Make	Break
Q600	DC-13	2.5	0.55	0.27	0.15	0.13	0.1	69	69
R150	DC-13	1.0	0.22	~	~	~	~	28	28
R300	DC-13	1.0	0.22	0.1	~	~	~	28	28

NEMA Ratings and Test Values for AC (50 and 60Hz) Control Circuit Contacts ③

Designation ① AC	Therm. Continuous Test Current (A)	Maximum Current (Amps)								VA Rating	
		120V		240V		480V		600V			
		Make	Break	Make	Break	Make	Break	Make	Break	Make	Break
A600	10	60	6.0	30	3.00	15	1.50	12	1.20	7200	720
B300	5	30	3.0	15	1.50	~	~	~	~	3600	360
C300	2.5	15	1.5	7.5	0.75	~	~	~	~	1800	180

NEMA Ratings and Test Values for DC Control Circuit Contacts ③

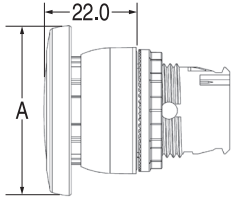
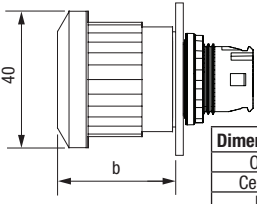
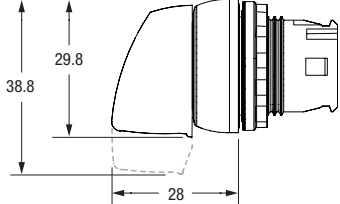
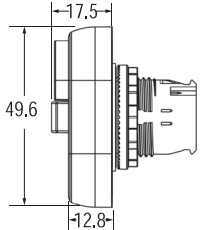
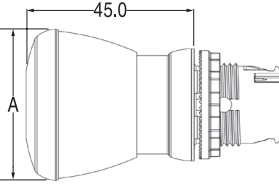
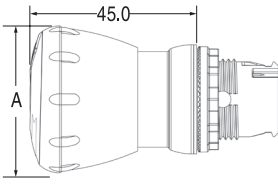
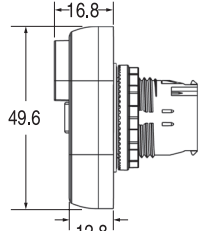
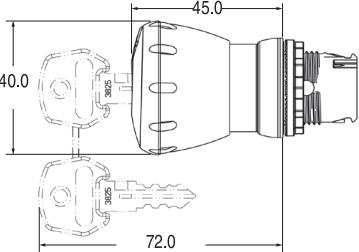
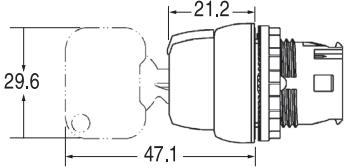
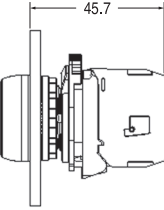
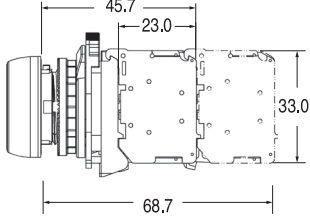
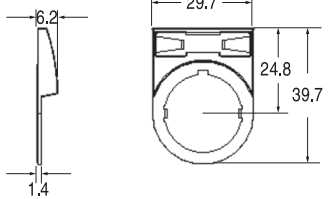
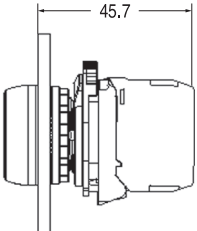
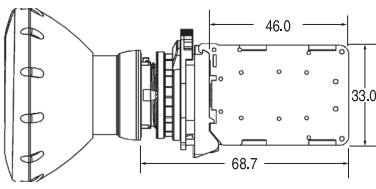
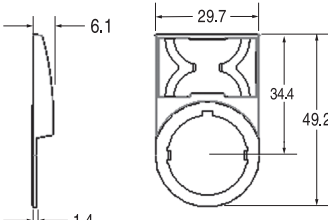
Designation ① DC	Therm. Continuous Test Current (A)	Maximum Make or Break Current (Amps)			Make or Break at 300V or less [VA]
		125V	250V	301...600V	
Q600	2.5	0.55	0.27	0.10	69
R150	1	0.22	~	~	28
R300	1	0.22	0.11	~	28

① The letter stands for the conventional thermal current, and identifies AC or DC. For example, B is 5A AC. The numbers following the letter are the rated insulated voltage.

② From IEC 60947-5-1.

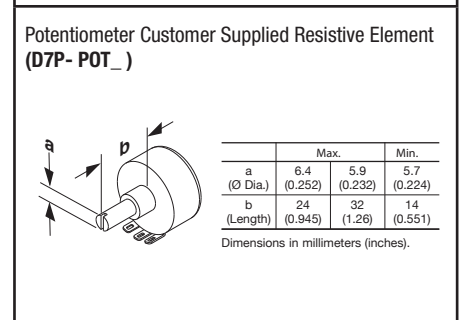
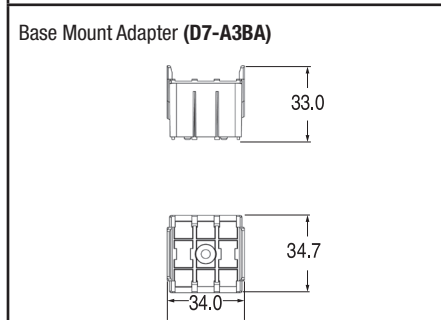
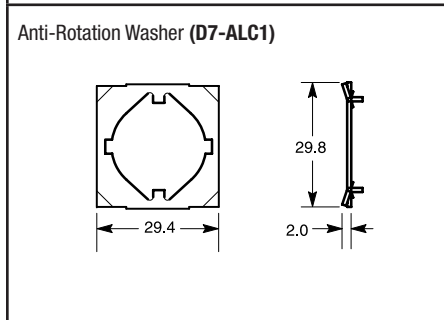
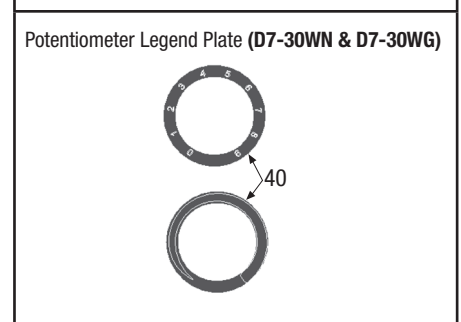
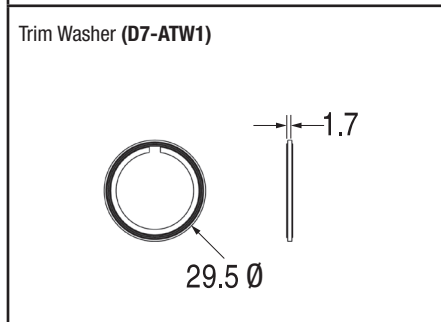
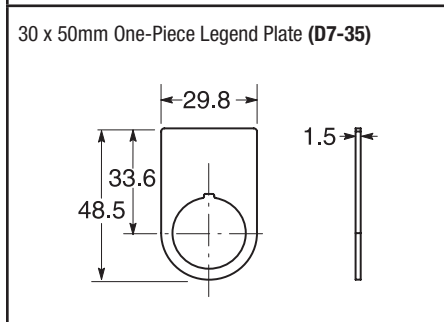
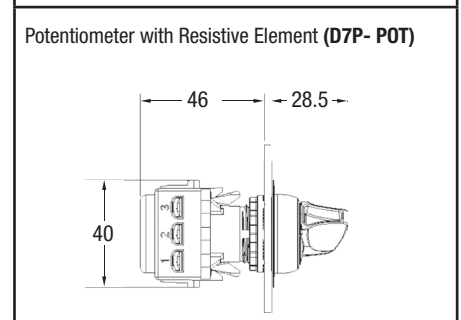
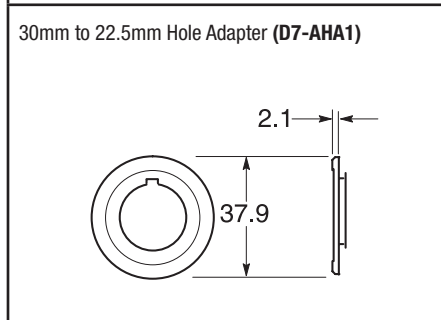
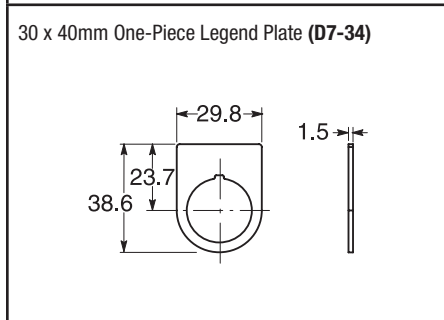
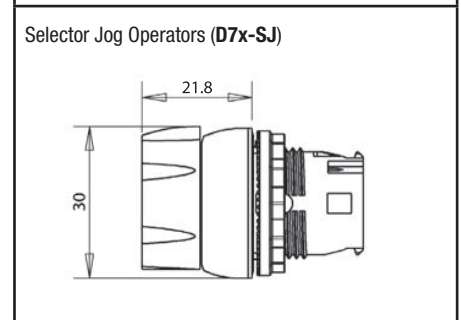
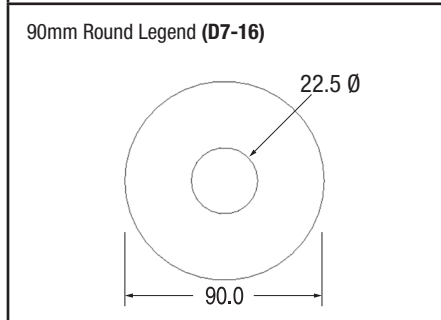
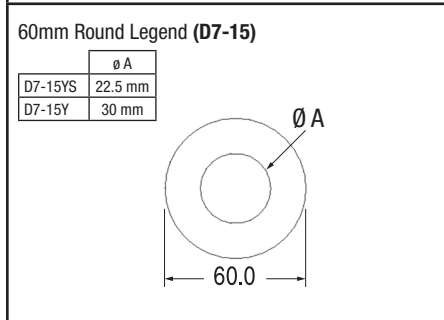
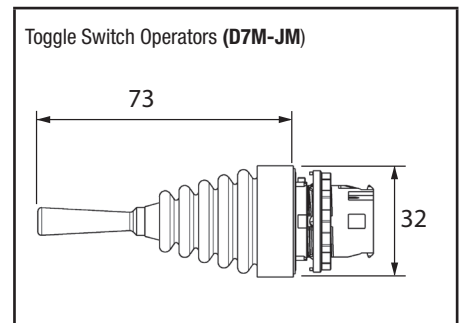
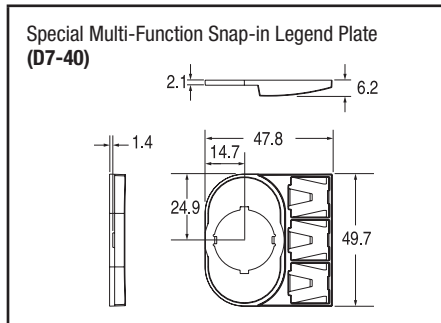
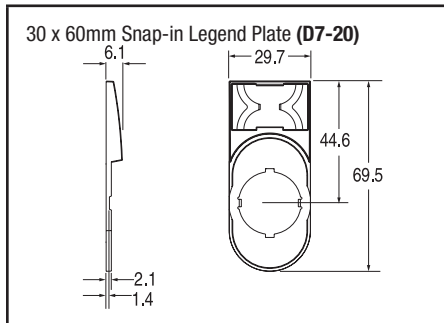
③ From NEMA Standard ICS 5-2000, Part 1.

Approximate Dimensions – millimeters ①

<p>Illuminated and Non-illuminated Momentary Mushroom Operators 40mm and 60mm (D7x-LMM & D7x-MM)</p>  <table border="1" data-bbox="360 514 529 583"> <thead> <tr> <th>Operator</th> <th>A</th> </tr> </thead> <tbody> <tr> <td>40mm</td> <td>39.8</td> </tr> <tr> <td>60mm</td> <td>59.8</td> </tr> </tbody> </table>	Operator	A	40mm	39.8	60mm	59.8	<p>Illuminated and Non-illuminated 3-Position Mushroom Operators 40mm (D7M-MM4/MP4_E3 & D7M-LMM4/LMP4_E3)</p>  <table border="1" data-bbox="820 504 989 583"> <thead> <tr> <th colspan="2">Dimension B Position</th> </tr> </thead> <tbody> <tr> <td>Out</td> <td>37.9</td> </tr> <tr> <td>Center</td> <td>35.3</td> </tr> <tr> <td>In</td> <td>32.9</td> </tr> </tbody> </table>	Dimension B Position		Out	37.9	Center	35.3	In	32.9	<p>Illuminated and Non-illuminated Selector Switch Operators (D7x-LS, D7x-S & D7x-H Long)</p> 		
Operator	A																	
40mm	39.8																	
60mm	59.8																	
Dimension B Position																		
Out	37.9																	
Center	35.3																	
In	32.9																	
<p>Non-illuminated 3-Position Multi-Function Operators (D7x-U3)</p> 	<p>Illuminated and Non-illuminated Push-Pull Mushroom Operators 30mm, 40mm, and 60mm (D7x-MP)</p>  <table border="1" data-bbox="857 808 998 913"> <thead> <tr> <th>Operator</th> <th>A</th> </tr> </thead> <tbody> <tr> <td>30mm</td> <td>30</td> </tr> <tr> <td>40mm</td> <td>40</td> </tr> <tr> <td>60mm</td> <td>60</td> </tr> </tbody> </table>	Operator	A	30mm	30	40mm	40	60mm	60	<p>Illuminated and Non-illuminated Twist-to-Release Operators 30mm, 40mm, and 60mm (D7x-MT)</p>  <table border="1" data-bbox="1328 808 1469 913"> <thead> <tr> <th>Operator</th> <th>A</th> </tr> </thead> <tbody> <tr> <td>30mm</td> <td>30</td> </tr> <tr> <td>40mm</td> <td>40</td> </tr> <tr> <td>60mm</td> <td>60</td> </tr> </tbody> </table>	Operator	A	30mm	30	40mm	40	60mm	60
Operator	A																	
30mm	30																	
40mm	40																	
60mm	60																	
Operator	A																	
30mm	30																	
40mm	40																	
60mm	60																	
<p>Illuminated and Non-illuminated 2-Position Multi-Function Operators (D7x-LU2 & D7x-U2)</p> 	<p>Mushroom Key Release Operator 40mm (D7x-MK)</p> 	<p>Key Selector Switch Operators (D7x-K)</p> 																
<p>Back-of-Panel Components — Incandescent Module with Latch (D7-DOC & D7-ALP/M)</p> 	<p>Back-of-Panel Components — Contact Cartridges with Latch (D7-X/Q + D7-ALP/M)</p> 	<p>30 x 40mm Snap-in-Legend Plate (D7-11)</p> 																
<p>Back-of-Panel Components — LED Module with Latch (D7-N/Q & D7-ALP/M)</p> 	<p>Back-of-Panel Components — Dual Circuit Contact Block (Max. of 1 Deep) (D7x-X_D/D7-X01S)</p> 	<p>30 x 50mm Snap-in-Legend Plate (D7-12)</p> 																

① Dimensions are not intended to be used for manufacturing purposes.

Approximate Dimensions – millimeters ①②



- ① Dimensions are not intended to be used for manufacturing purposes.
- ② Panel thickness range is 1.0...6.0 maximum. Panel thickness reduced to 4.5 when optional legend plates are used.

Approximate Dimensions – millimeters ①

<p>Hole Plug (D7-N2)</p>	<p>Maintained Mushroom Locking Attachment (D7-AML2)</p>	<p>Selector Switch Locking Cover (Same for all Lock Positions) (D7-ASL)</p>
<p>Locking Cover (D7-AL01)</p>	<p>Extended Non-Illuminated Locking Attachment (D7-AE1)</p>	<p>Selector Switch Locking Attachment (D7-ASL23A)</p>
<p>Plastic Guard (D7-A6PR5)</p>	<p>Flush Non-Illuminated Locking Attachment (D7-AFL1)</p>	<p>Narrow Guard (D7-AMEGY)</p>
<p>Protective Ring (D7-AMRG)</p>		
<p>Momentary Mushroom Locking Attachment (D7-AML1)</p>		

① Dimensions are not intended to be used for manufacturing purposes.

D7 Pilot Devices

Approximate Dimensions – millimeters ①

2-Position Push-Pull/Twist-to-Release Mushroom Devices (D7D-MT)

Momentary Pushbutton Device - Flush (D7D-F)

2 & 3 Position Selector Switch Devices (D7D-S)

Momentary Pushbutton Device - Extended (D7D-E)

Pilot Light Devices (D7D-P)

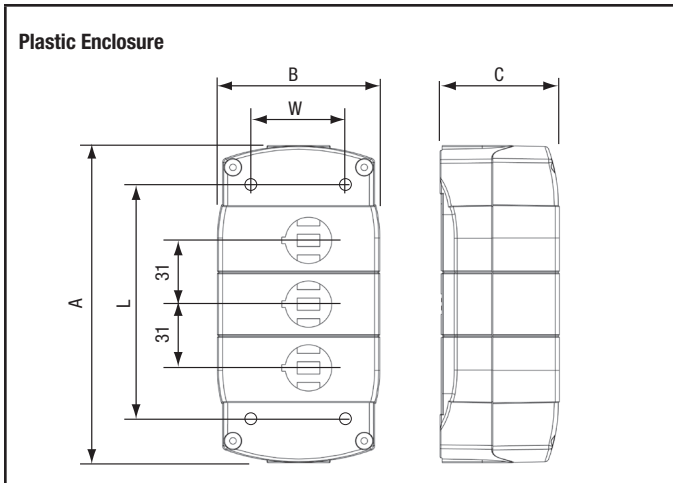
PANEL HOLE SPACING

(A)			
(A)			
(B)			

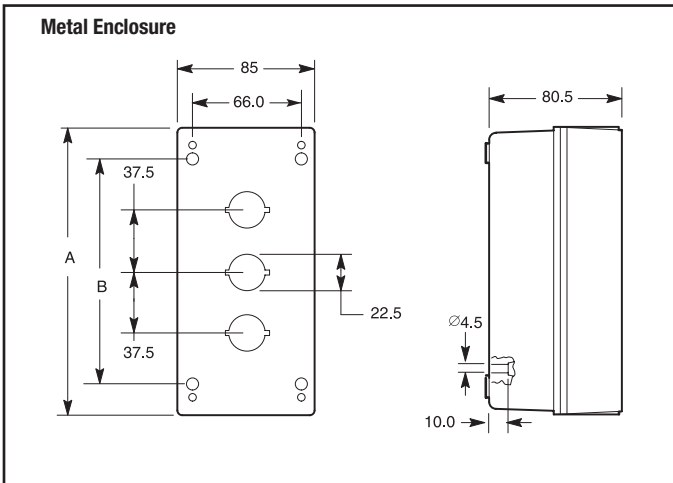
	30	40	50	40	50	ø60, ø90
	30		40			60 / 90
	30		40			60 / 90

① Dimensions are not intended to be used for manufacturing purposes.

Approximate Dimensions – millimeters ❶



Type - 4/4X/13 (IP66) - Plastic Enclosures ❷							
Cat. No.	No. of Units (Holes)	Length A	Width B	Depth C	Mtg. Holes		Knockout/Conduit Openings
					W	L	
D7-1PP (1YP)	1	85 (3-11/32)	89 (3-1/2)	58 (2-9/32)	58	59	PG11 PG16
D7-2PP	2	124 (4-7/8)	79 (3-1/8)	58 (2-9/32)	48	102.5	PG11 PG16
D7-3PP	3	155 (6-3/32)	79 (3-1/8)	58 (2-9/32)	48	133	PG11 PG16
D7-4PP	4	186 (7-5/16)	79 (3-1/8)	58 (2-9/32)	48	164.5	PG11 PG16
D7-6PP	6	248 (9-3/4)	87 (3-7/16)	64 (2-17/32)	55	224	PG16

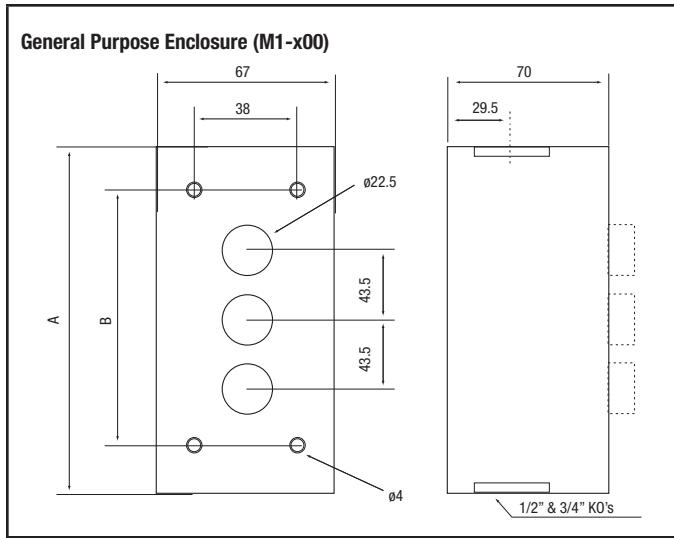


Type 4/13 (IP66) - Metal Enclosures				
Cat. No.	No. of Units (Holes)	Length A	Mtg. Holes B	Knockout/Conduit Openings
D7-1MP (1MY)	1	99 (3-9/32)	62 (2-7/16)	PG11 PG16
D7-2MP	2	137 (5-13/32)	100 (3-15/16)	PG11 PG16
D7-3MP	3	174 (6-27/32)	137 (5-13/32)	PG11 PG16
D7-5MP	5	249 (9-13/32)	212 (8-11/32)	PG16

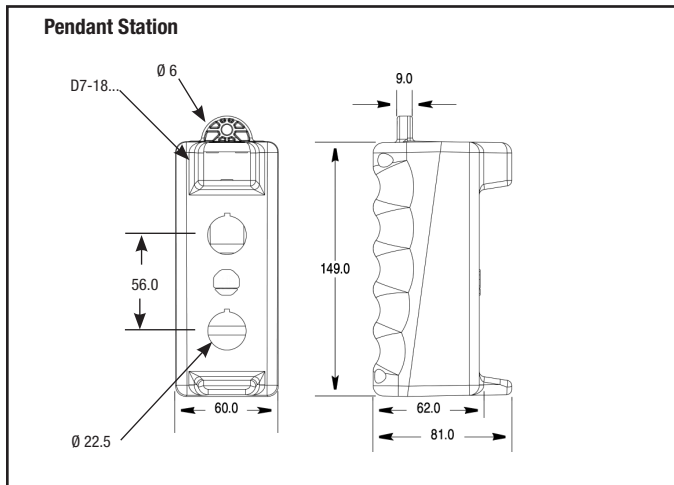
❶ Dimensions are not intended to be used for manufacturing purposes.

❷ Mounting screw head diameter = 7mm max. for 1P enclosures

Approximate Dimensions – millimeters ❶



Type 1 - Metal Enclosures			
Cat. No.	No. of Units (Holes)	A	B
M1-100	1	114 (4-1/2)	51 (2)
M1-200	2	114 (4-7/8)	51 (2)
M1-300	3	157 (6-1/4)	102 (4)



❶ Dimensions are not intended to be used for manufacturing purposes.

