

BULL PRODUCT GUIDE





2018 NEW PRODUCT RELEASES

46" DIABLO™ GRILL HEAD



Item# 62648 LP
Item# 62649 NG

STANDARD FEATURES

- 105,000 BTUs
- 6 Cast Stainless Burners
- Infrared Burner 15,000 BTU's
- Single Piece Dual Lined Hood
- Piezo igniters/ Zinc Knobs
- Solid Stainless Steel Grates
- Heavy Duty Thermometer
- SS Rotisserie Motor
- Twin Lighting System
- Warming Rack 322 Sq. In.
- Cooking Surface 1,242 Sq. In.

38" RENEGADE™ GRILL HEAD



Item# 32368 LP
Item# 32369 NG

STANDARD FEATURES

- 75,000 BTUs
- 5 Cast Iron Porcelain Coated Burners
- Single Piece Dual Lined Hood
- Piezo igniters/ Zinc Knobs
- Solid Stainless Steel Grates
- Heavy Duty Thermometer
- Warming Rack 266 Sq. In.
- Cooking Surface 1026 Sq. In.

BULLET BEL AIR™ FRIDGE



Item# 79500

STANDARD FEATURES

- Cold Drinks Anywhere
- LED Interior Light
- Adjustable Shelving
- Cool Vintage look, Hot Rod Red
- Designed to be free standing
- Temperature Range of 32° - 50° degrees
- UL Certified



BULL KEGERATOR™ 6.6 CU. FT.

Also available in Double Tap option



STANDARD FEATURES

- Outdoor Rated & NSF Certified
- LED Interior Light
- Includes Single Tap & Tower
- 304 Stainless Steel Construction
- Reversible Self Closing Door
- Designed to be free standing or Built In
- Temperature Range of 32° - 50° degrees
- ETL, CETL, DOE, NSF Rated

Item# 17900
Double Tap #17950



BULLBBQ.COM



2018 NEW PRODUCT RELEASES

Components & Accessories



Large Single Drawer

- Designed to fit under Power Burner
 - Allows for Power Burner Cover Storage
- Item# 09980



Pantry Inserts Double Door 30" -38"

- Enclosure Design
 - 304 Stainless Steel
 - Adjustable Shelving
- Item# 74000 -30" # 74100 - 38"



Pull Out Trash Drawer

- Enclosure Design
 - Includes 10 Gallon Plastic Trash Can
 - Practical addition to any kitchen
- Item# 56925



Propane Tank Holder

- Stainless Steel
 - Designed for Outdoor Kitchens
- Item# 16674



Pantry Insert Door/Drawer Combo 30"

- Enclosure Design
 - 304 Stainless Steel
 - Adjustable Shelving
- Item# 89973



Sidekick Grill Cart Side Burner

- Fits All 24", 30" & 38" Grill Carts
 - 15,000 BTUs of Cooking Power
- Item# 60010



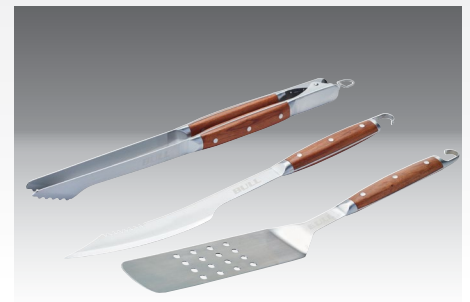
Grease Tray Liners 30" - 38"

- Convenient 3 Pack
 - Easy Clean-up
- Item# 24255 Item# 24256



Easy Fill Smoker Box

- 304 Stainless Steel & Sliding Top
 - Fits full length between Burners
- Item# 75000



Hardwood Long Handle - Tongs, Knife, Spatula

- Stainless Steel / Hardwood construction
- Item# 24282, Item# 24283, Item# 24284



- BULL Grill & Grates Cleaner** - Cleans & shines your grill inside & out, Item# 25160
- BULL Efflorescence Remover** - Get rid of chalky build-up on tile & stone, Item# 25162



- BULL BBQ RUBS**
 - Sweet Heat & Burger -Steak**
 - An amazing blend of select herbs & spices, gluten free and contain no MSG.
- Item# 90020 Item# 90010



- ReliaBull Stainless Steel Tumblers**
 - Keep drinks icy cold in hot weather
 - Keep hot drinks hot, for hours
- 20oz Item# 12000 30oz Item# 12002



BULL GRILLS HEADS

BISON™ Charcoal, Specialty Grill



Item# 67529

STANDARD FEATURES

- Stainless Steel Construction
- Stainless Steel Grates
- Adjustable Charcoal Bed
- Heavy Duty Thermometer
- Warming Rack 210 Sq. In.
- Cooking Surface 810 Sq. In.
- Cutout- 31" x 21" x 9.5"



STOCKMAN™ Griddle, Specialty Grill



Item# 97008 LP
Item# 97009 NG

STANDARD FEATURES

- 45,000 BTUs
- 3 Welded Stainless Steel Burners
- Piezo Igniters/ Zinc Control Knobs
- Cast Iron Chromium Plated Griddle
- Full Size Grease Tray
- Cooking Surface 556 Sq. In.
- Cutout- 23" x 21" x 9.5"



OUTLAW™ Intro Grill



Item# 26038 LP
Item# 26039 NG

STANDARD FEATURES

- 60,000 BTUs
- 4 Cast Iron Porcelain Coated Burners
- Single Piece Dual Lined Hood
- Piezo Igniters/ Zinc Control Knobs
- Solid Stainless Steel Grates
- Heavy Duty Thermometer
- Warming Rack 210 Sq. In.
- Cooking Surface 810 Sq. In.
- Cutout- 31" x 21" x 9.5"



RENEGADE™ Intro Grill



Item# 32300 LP
Item# 32301 NG

STANDARD FEATURES

- 75,000 BTUs
- 5 Cast Iron Porcelain Coated Burners
- Single Piece Dual Lined Hood
- Piezo Igniters/ Zinc Control Knobs
- Solid Stainless Steel Grates
- Heavy Duty Thermometer
- Warming Rack 266 Sq. In.
- Cooking Surface 1,026 Sq. In.
- Cutout- 38.5" x 21" x 9.5"



STEER™ Premium Grill



Item# 69008 LP
Item# 69009 NG

STANDARD FEATURES

- 45,000 BTUs
- 3 Welded Stainless Steel Burners
- Single Piece Dual Lined Hood
- Piezo Igniters/ Zinc Control Knobs
- Solid Stainless Steel Grates
- Heavy Duty Thermometer
- Built in trim kit
- Warming Rack 160 Sq. In.
- Cooking Surface 556 Sq. In.
- Cutout- 25.75" x 20.5" x 9.5"



LONESTAR™ Premium Grill



Item# 87048 LP
Item# 87049 NG

STANDARD FEATURES

- 60,000 BTUs
- 4 Welded Stainless Steel Burners
- Single Piece Dual Lined Hood
- Piezo Igniters/ Zinc Control Knobs
- Solid Stainless Steel Grates
- Heavy Duty Thermometer
- Twin Lighting System
- Warming Rack 210 Sq. In.
- Cooking Surface 810 Sq. In.
- Cutout- 31" x 21" x 9.5"



ANGUS™ Flagship Grill



Item# 47628 LP
Item# 47629 NG

STANDARD FEATURES

- 75,000 BTUs
- 4 Cast Stainless Steel Burners
- Infrared Burner 15,000 BTUs
- Single Piece Dual Lined Hood
- Piezo Igniters/ Zinc Knobs
- Solid Stainless Steel Grates
- Heavy Duty Thermometer
- SS Rotisserie Motor
- Twin Lighting System
- Warming Rack 210 Sq. In.
- Cooking Surface 810 Sq. In.
- Cutout- 31" x 21" x 9.5"



BRAHMA™ Flagship Grill



Item# 57568 LP
Item# 57569 NG

STANDARD FEATURES

- 90,000 BTUs
- 5 Cast Stainless Steel Burners
- Infrared Burner 15,000 BTUs
- Single Piece Dual Lined Hood
- Piezo Igniters/ Zinc Knobs
- Solid Stainless Steel Grates
- Heavy Duty Thermometer
- SS Rotisserie Motor
- Twin Lighting System
- Warming Rack 266 Sq. In.
- Cooking Surface 1,026 Sq. In.
- Cutout- 38.5" x 21" x 9.5"



DIABLO™ Flagship Grill



Item# 62648 LP
Item# 62649 NG

STANDARD FEATURES

- 105,000 BTUs
- 6 Cast Stainless Steel Burners
- Infrared Burner 15,000 BTUs
- Single Piece Dual Lined Hood
- Piezo Igniters/ Zinc Knobs
- Solid Stainless Steel Grates
- Heavy Duty Thermometer
- SS Rotisserie Motor
- Twin Lighting System
- Warming Rack 322 Sq. In.
- Cooking Surface 1,242 Sq. In.
- Cutout- 46" x 21" x 9.5"



BULL GRILL CARTS

BISON™

Charcoal, Specialty Grill



Item# 67531

STOCKMAN™

Griddle, Specialty Grill



Item# 73008 LP
Item# 73009 NG

OUTLAW™

Intro Grill



Item# 26001 LP
Item# 26002 NG

RENEGADE™

Intro Grill



Item# 32300 LP
Item# 32301 NG

STEER™

Premium Grill



Item# 69101 LP
Item# 69102 NG

LONESTAR™

Premium Grill



Item# 87001 LP
Item# 87002 NG

ANGUS™

Flagship Grill



Item# 44000 LP
Item# 44001 NG

BRAHMA™

Flagship Grill



Item# 55000 LP
Item# 55001 NG













Grill Heads & Carts

ANGUS GRILL HEAD



BULL GRILL HEAD COLLECTION

								
Standard Features	BISON	STEER	OUTLAW	RENEGADE	LONESTAR	ANGUS	BRAHMA	7 BURNER
Cooking Power BTUs	Charcoal	45,000	60,000	75,000	60,000	75,000	90,000	105,000
Burners	0	3 - Welded Stainless Steel Bar Burners	4 - Cast Iron Porcelain Coated Bar Burners	5 - Cast Iron Porcelain Coated Bar Burners	4 - Welded Stainless Steel Bar Burners	4 - Cast Stainless Steel Burners	5 - Cast Stainless Steel Burners	4 - Cast Stainless Steel Burners
Infrared Back Burner						•	•	•
Single Piece Dual Lined Hood	•	•	•	•	•	•	•	•
Piezo Igniter		•	•	•	•	•	•	•
Zinc Knobs		•	•	•	•	•	•	•
Solid Stainless Steel Grates	•	•	•	•	•	•	•	•
Heavy Duty Thermometer	•	•	•	•	•	•	•	•
Warming Rack	•	•	•	•	•	•	•	•
Stainless Steel Rotisserie Motor						•	•	•
Twin Lighting System					•	•	•	•
Double Side Burner								•
CSA Certified		•	•	•	•	•	•	•
Total Cooking Surface - Sq. In.	810	654	810	1,026	810	810	1,026	1,080



800-521-2855 BULLBBQ.COM



The Brand Choice for Commercial and Professional BBQs. | ©2017 Bull Outdoor Products, Inc. All Rights Reserved.



Angus

Commercial/Residential Lifetime Warranty on Burners, Fire Box and Grates



Features

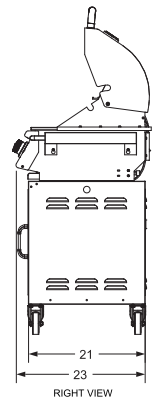
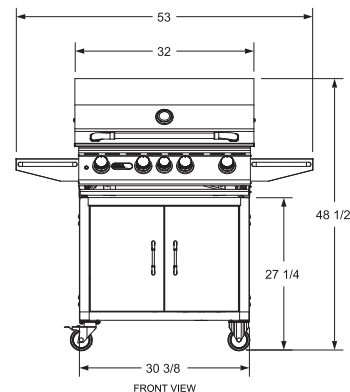
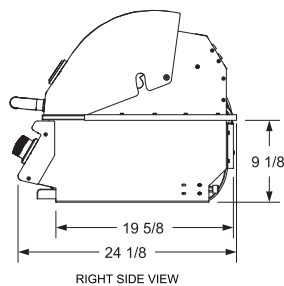
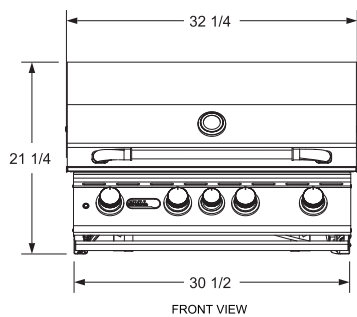
- 304, 14 Gauge Stainless Steel Construction
- 4 Cast Stainless Steel Burners
- Stainless Steel Flame Tamers
- Grease Tray
- Heavy Duty Thermometer
- Dual Lined Hood w/ Warming Rack
- Piezo Igniters on each valve
- Interior Twin Lighting system
- Rotisserie Rotisserie Burner
- Zinc Control Knobs
- CSA Approved

- 2 Side Shelves
- Heavy Duty Casters

Head Carton Size: 25 3/4" W x 24 1/2" H x 34 1/4" L – Weight : 166 lbs.
 Cart Bottom 22 3/4" W x 32 1/4" H x 35 1/4" L – Weight : 87 lbs.

Model #44000 (LP) & Model #44001 (NG)

Model #47628 (LP) Model #47629 (NG)



800-521-2855 BULLBBQ.COM





Brahma

Commercial/Residential Lifetime Warranty on Burners, Fire Box and Grates



Features

- 304, 14 Gauge Stainless Steel Construction
- 5 Cast Stainless Steel Burners
- Stainless Steel Flame Tamers
- Grease Tray
- Heavy Duty Thermometer
- Dual Lined Hood w/ Warming Rack
- Piezo Igniters on each valve
- Interior Twin Lighting system
- Infrared Back Burner w/ Rotisserie
- Zinc Control Knobs
- CSA Approved

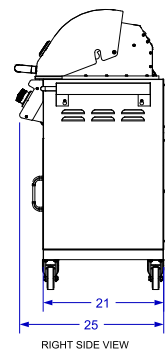
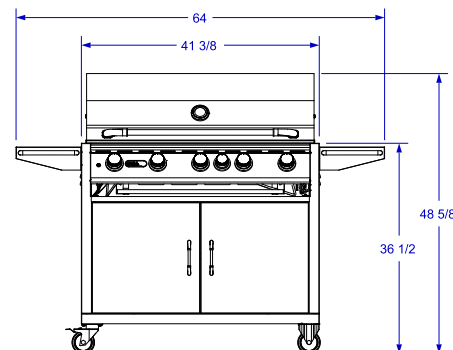
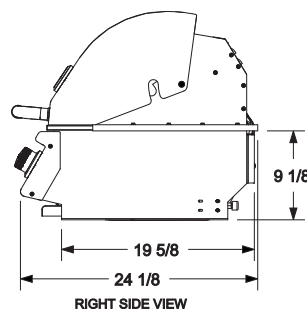
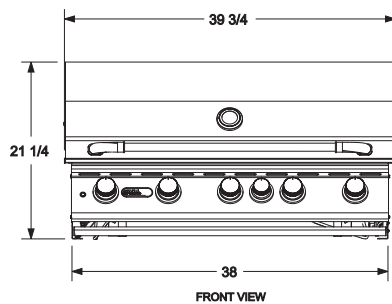


- 2 Side Shelves
- Heavy Duty Casters

Head Carton Size: 27" W x 24" H x 42" L – Weight : 183 lbs.
Cart Bottom 22 1/2" W x 32 1/4" H x 43" L – Weight : 98 lbs.

Model #55000 (LP) & Model #55001 (NG)

Model #57568 (LP) Model #57569 (NG)



800-521-2855 BULLBBQ.COM



The Brand Choice for Commercial and Professional BBQs. | ©2017 Bull Outdoor Products, Inc. All Rights Reserved.



Outlaw

Residential



Features

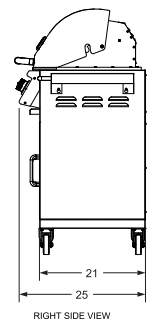
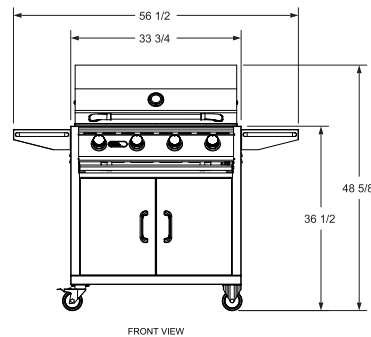
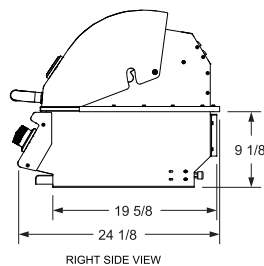
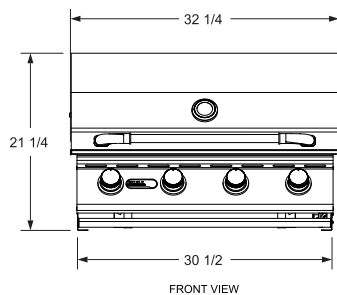
- 304, 14 Gauge Stainless Steel Construction
- 4 Porcelain Coated Burners
- Stainless Steel Flame Tamers
- Grease Tray
- Heavy Duty Thermometer
- Dual Lined Hood w/ Warming Rack
- Piezo Igniters on each valve
- Interior Twin Lighting system
- Metal Control Knobs
- CSA Approved

- 2 Side Shelves
- Heavy Duty Casters

Head Carton Size: 25 3/4" W x 24 1/2" H x 34 1/4" L – Weight : 130 lbs.
 Cart Bottom 22 3/4" W x 32 1/4" H x 35 1/4" L – Weight : 87 lbs.

Model #26001 (LP) & Model #26002 (NG)

Model #26038 (LP) Model #26039 (NG)



800-521-2855 BULLBBQ.COM





Lonestar Select

Residential



Features

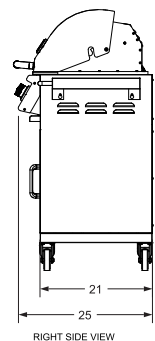
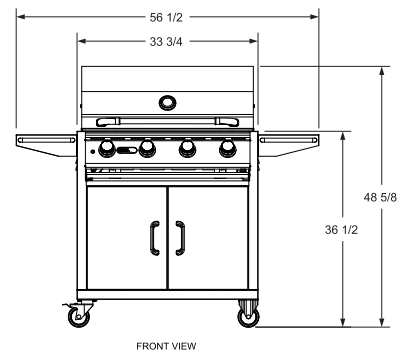
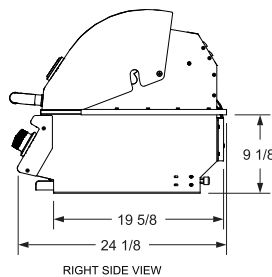
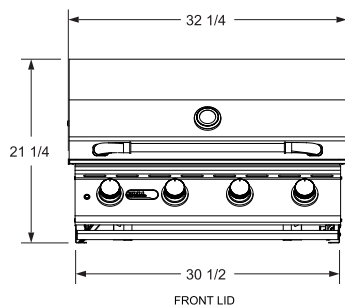
- 304, 14 Gauge Stainless Steel Construction
- 4 Welded Stainless Steel Burners
- Stainless Steel Flame Tamers
- Grease Tray
- Heavy Duty Thermometer
- Dual Lined Hood w/ Warming Rack
- Piezo Igniters on each valve
- Interior Twin Lighting system
- Metal Control Knobs
- CSA Approved

- 2 Side Shelves
- Heavy Duty Casters

Head Carton Size: 25 3/4" W x 24 1/2" H x 34 1/4" L – Weight : 130 lbs.
 Cart Bottom 22 3/4" W x 32 1/4" H x 35 1/4" L – Weight : 87 lbs.

Model #87001 (LP) & Model #87002 (NG)

Model #87048 (LP) Model #87049 (NG)



800-521-2855 BULLBBQ.COM





Steer Premium

Commercial/Residential



Features

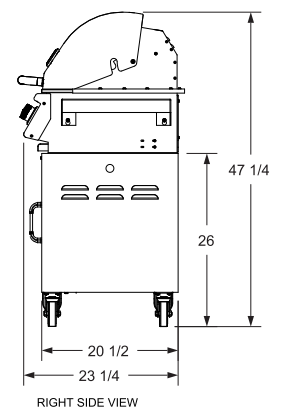
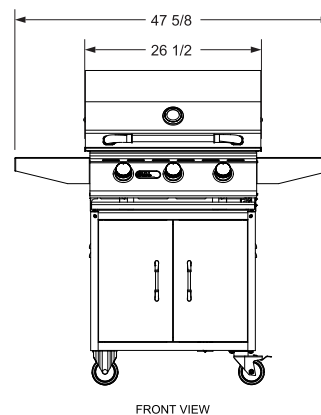
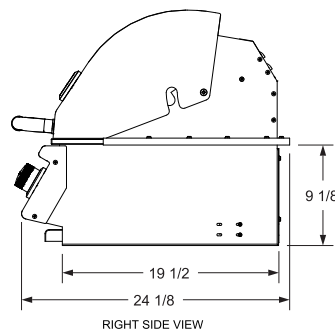
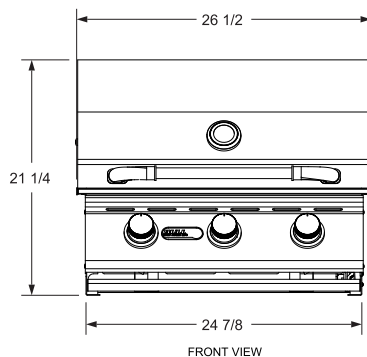
- 304, 14 Gauge Stainless Steel Construction
- 3 Welded Stainless Steel Burners
- Stainless Steel Flame Tamers
- Grease Tray
- Heavy Duty Thermometer
- Dual Lined Hood w/ Warming Rack
- Piezo Igniters on each valve
- Medal Knobs
- Built In Trim Kit
- CSA Approved

- 2 Side Shelves
- Heavy Duty Casters

Head Carton Size: 24 1/2" W x 24" H x 27 1/2" L – Weight: 94 lbs.
Cart Bottom 22" W x 22 1/2" H x 27" L – Weight: 61 lbs.

Model #69101 (LP) & Model #69102 (NG)

Model #69008 (LP) Model #69009 (NG)



800-521-2855 BULLBBQ.COM





Bison Charcoal Grill

Commercial/Residential



Features

- 304, 16 Gauge Stainless Steel Construction
- Fully adjustable Charcoal holding bins
- Manual Charcoal Elevation adjustment
- Single Piece Dual Lined hood
- Stainless Steel Grates
- Multiple Air Flow controls
- Heavy Duty Thermometer
- Dual Lined Hood w/ Warming Rack

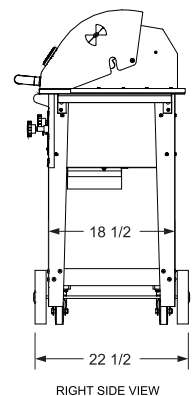
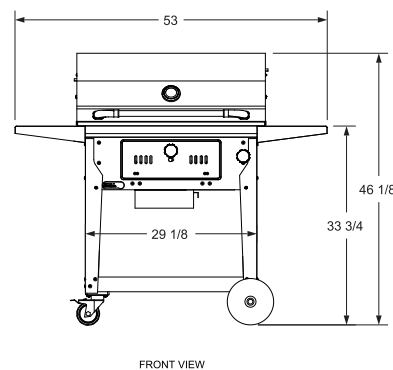
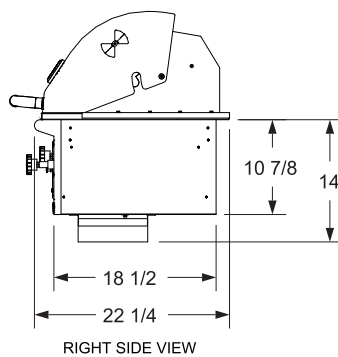
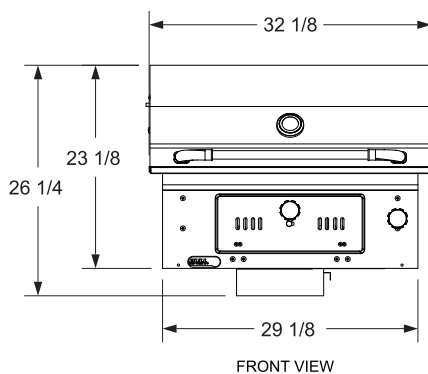
Model #67529



- 2 Side Shelves
- Heavy Duty Casters

Head Carton Size: 27 1/4" W x 26 1/2" H x 35" L – Weight : 120 lbs.
Cart Bottom 20 1/4" W x 26 1/2" H x 33" L – Weight : 40 lbs.

Model #67531



800-521-2855 BULLBBQ.COM



The Brand Choice for Commercial and Professional BBQs. | ©2017 Bull Outdoor Products, Inc. All Rights Reserved.



DOOR/PROPANE DRAWER COMBO
Stainless Steel (Cutout - 31" x 20" x 16.375")
Item# 65784



DOOR/DRAWER COMBO 30" Stainless Steel
(Cutout - 31" x 20" x 20.75") Item# 25876
DOOR/DRAWER COMBO 38" Stainless Steel
(Cutout - 38.5" x 20" x 20.75") Item# 55875



SINGLE DOOR LOCK & KEY
Stainless Steel (Cutout - 23" x 15.75" x 2")
Item# 89970



PANTRY INSERT DOOR/DRAWER COMBO
Item# 89973 - 30"
PANTRY INSERT DOUBLE DOOR 30" - 38"
Item# 74000 - 30", Item# 74100 - 38"



PULL OUT TRASH DRAWER - Stainless Steel
(Cutout - 18.25" x 25.25" x 16")
Item# 56925



SINGLE DRAWER-Stainless Steel
(Cutout - 23.25" x 4" x 20.75")
Item# 09970



DOUBLE DRAWER-Stainless Steel
(Cutout - 12.75" x 19.5" x 20.75")
Item# 56985



VERTICAL DOOR-Stainless Steel
(Cutout - 15.75" x 20" x 2")
Item# 89975 - Right Swing
Item# 98552 - Left Swing



DOUBLE DOOR 30" - Stainless Steel
(Cutout - 31" x 20" x 2.25") Item# 33568
DOUBLE DOOR 38" - Stainless Steel
(Cutout - 38.5" x 20" x 2.25") Item# 34000



PROPANE DRAWER-Stainless Steel
(Cutout - 14.75" x 19.75" x 16.5")
Item# 56825



WARMING DRAWER-Stainless Steel
(Cutout - 28.25" x 10" x 20.25")
Item# 85747



SINGLE SIDE BURNER-Stainless Steel
(Cutout - 11.25" x 17.5" x 3.25")
Item# 60008 (LP) - Item# 60009 (NG)



DOUBLE SIDE BURNER-Stainless Steel
(Cutout - 22.375" x 17.125" x 2.5")
Item# 60088 (LP) - Item# 60099 (NG)



POWER BURNER - W/COVER
(Cutout - 21.25" x 21" x 9.5")
Item LP #96000 - NG #96001



SIDEKICK GRILL CART SIDE BURNER
Fits all 24", 30" & 38" Grill Carts
Item LP #60010



Also available
in Double Tap
option

KEGERATOR 6.6 cu. ft. - Outdoor Rated
Item# 17900, Doub. Item# 17950
(Cutout - 24.5" x 34.75" x 25.5")



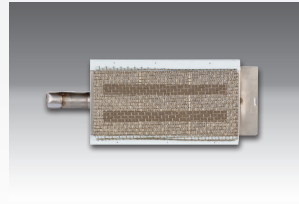
PREMIUM REFRIGERATOR - Outdoor Rated
Item# 13700
(Cutout - 24.25" x 33" x 23.5")



REFRIGERATOR - Stainless Steel
Item# 11001
(Cutout - 20.5" x 33" x 20.75")



**DOUBLE SIDE BURNER - SLIDE-IN
W/COVER** (Cutout - 12.125" x 20.5" x 9.5
Item# 30008 (LP) - Item# 30009 (NG)



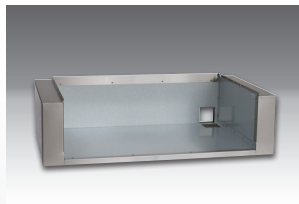
SEARING BURNER
7 Burner/Angus/Brahma Item# 20505
Lonestar Item# 20506



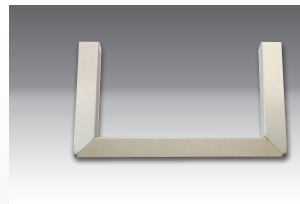
BOTTLE OPENER & CATCH
Item# 66006



30" BAR CENTER-Stainless Steel
(Cutout - 29" x 9.75" x 22.75")
Item# 97623



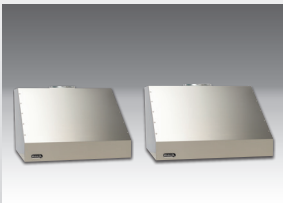
INSULATED GRILL JACKET - 30"
Item# 47017 Cutout - 38.25" x 22.125" x 9"
INSULATED GRILL JACKET - 38"
Item# 47018 Cutout - 45.75" x 22.125" x 9"



GRILL FINISHING FRAME - Stainless Steel
30" Item# 49328
38" Item# 58726
47" Item# 74327



CART & GRILL HEAD COVERS
Grill covers & specs available online



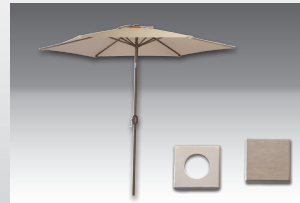
VENT HOOD-TWIN FAN - Stainless Steel
36"W x 32" D Item# 66009 - 30" Grills
42"W x 32" D Item# 66098 - 38" Grills



ICE CHEST-Stainless Steel
(Cutout - 14.25" x 20.5" x 15.5")
Item# 00002



PROPANE TANK HOLDER MOUNT
Item# 16674



UMBRELLA 9" - Item# 32000
UMBRELLA HOLE - Item# 16624
COVER/PLUG - Item# 16625



STAINLESS STEEL SINK & FAUCET
Sm.-(Cutout - 14.25" x 14.25" x 7.625")
Lg.-(Cutout - 18.125" x 16.125" x 7.875")
Sm. Item# 12389 | Lg. Item# 12391



Refrigerators



Bull Stainless Steel Front Refrigerator (Item # 11001)

- Space saving flush back design
- Stainless steel door panel
- Reversible door feature – left or right swing
- Full range temperature control
- Beverage can dispenser (Holds up to five 12 oz. cans)
- Net capacity: 4.5 cu. ft.



Bull Stainless Steel Premium Fridge Series II (Item # 13700)

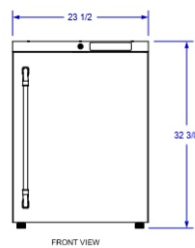
- Energy Saver Approved
- Front Venting for maintaining temperature
- LED Light inside
- Temp Gauge Inside for accuracy
- Horizontal Handle for reversing door
- Quieter Unit Improved
- Locking
- Exact same exterior Size



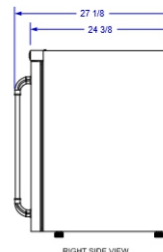
Stainless Steel Refrigerator Frame for 11001 (Item # 99935)

Stainless Steel Refrigerator Frame for 13001 & 13700 (Item # 13900)

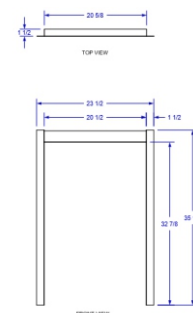
- Finishing look for Outdoor Kitchens – easy to install Stainless Steel trim
- Space saving flush design



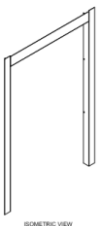
FRONT VIEW



RIGHT SIDE VIEW



FRONT VIEW



ISOMETRIC VIEW

NOTES:
 1. OUTPUT DIMENSIONS 26 1/4" W x 33 1/4" H x 26 3/4" D
 2. OUTPUT DIMENSIONS ARE FOR REFRIGERATOR ONLY. REFER TO PREMIUM OUTDOOR REFRIGERATOR FRAME SPEC SHEET FOR REFRIGERATOR FRAME OUTPUT DIMENSIONS.
 3. SCALE: 1" = 1'-0"

NOTES:
 1. OUTPUT DIMENSIONS 26 1/4" W x 35 1/4" H x 27"
 2. SCALE: 1/4" = 1'-0"
 3. REVISION: 6/13/16



800-521-2855 BULLBBQ.COM





COMPONENTS BUILT FOR YOUR SPECIFIC NEEDS

Customizing your Bull Outdoor Kitchen is easy with more than 50 component upgrades. If you can dream it, we can build it. Bull Outdoor Kitchens aren't limited to just red hot flames. With these components, your Bull Outdoor Kitchen

can go from flaming hot all the way down to ice cold. Bull's lineup of components includes a patented warming drawer, ice chest, bar center and a built-in refrigerator that will keep your food and drinks the perfect temperature.

ITEM #	COMPONENT DESCRIPTIONS	CUTOUT DIMENSIONS
65784	DOOR/PROPANE DRAWER COMBO	31" x 20" x 16.375"
25876	DOOR/DRAWER COMBO 30"	31" x 20" x 20.75"
55875	DOOR/DRAWER COMBO 38"	38.5" x 20" x 20.75"
89973	PANTRY INSERT DOOR/DRAWER 30"	
09970	SINGLE DRAWER	23.25" x 4" x 20.75"
09980	LARGE SINGLE DRAWER	25.25" x 10.75" x 24"
56985	DOUBLE DRAWER	12.75" x 19.5" x 20.75"
56825	PROPANE DRAWER	14.75" x 19.75" x 16.5"
56925	PULL OUT TRASH DRAWER	18.25" x 25.25" x 16"
85747	WARMING DRAWER	28.5" x 10" x 20.25"
89975	VERTICAL DOOR (Right Swing)	15.75" x 20" x 2"
98552	VERTICAL DOOR (Left Swing)	15.75" x 20" x 2"
33568	DOUBLE DOOR 31"	31" x 20" x 2.25"
34000	DOUBLE DOOR 38"	38.5" x 20" x 2.25"
74000	PANTRY INSERT DOUBLE DOOR 30"	
74100	PANTRY INSERT DOUBLE DOOR 38"	
89977	SINGLE VENTED DOOR	15.75" x 20" x 2"
89970	SINGLE DOOR LOCK & KEY	23" x 15.75" x 2"
60008-LP	SINGLE SIDE BURNER	11.25" x 17.5" x 3.25"
60088-LP	DOUBLE SIDE BURNER	22.375" x 17.125" x 2.5"
30008-LP	SLIDE-IN DOUBLE SIDE BURNER WCOVER	12.125" x 20.5" x 9.5"
96000-LP	POWER BURNER	21.25" x 21" x 9.5"
20505	SEARING BURNER	20,000 BTU
60010-LP	SIDEKICK GRILL CART SIDE BURNER	
13700	PREMIUM REFRIGERATOR Outdoor Rated - Stainless Steel	24.25" x 33" x 23.5"
11001	REFRIGERATOR - Stainless Steel	20.5" x 33" x 20.75"
17900	BULL KEGERATOR 6.6 cu. ft.	24.5" x 34.75" x 25.5"
00002	ICE CHEST W/LID	14.25" x 20.5" x 15.5"
97623	30" BAR CENTER	29" x 22.75" x 9.75"
12389	SINK & FAUCET Stainless Steel - Sm.	14.25" x 14.25" x 7.625"
12391	SINK & FAUCET Stainless Steel - Lg.	18.125" x 16.125" x 7.875"
49328	GRILL FRAME - Stainless Steel 30"	31" x 7.625" x 2"
58726	GRILL FRAME - Stainless Steel 38"	38.5" x 7.625" x 2"
13900	PREMIUM OUTDOOR REFRIGERATOR FRAME	24.25" x 34.5" x 2"
99935	REFRIGERATOR FRAME Stainless Steel	21.25" x 34.5" x 2"
32000	UMBRELLA - Metal - Canvas	9'
16624	UMBRELLA HOLE	
16625	UMBRELLA HOLE PLUG	
	GRILL HEAD COVERS	24" 30" 38" 47"
	GRILL CART COVERS	24" 30" 38" 47"
16674	PROPANE TANK MOUNT	
66006	BOTTLE OPENER & Catch	6" W x 10" H
66009	VENT HOOD - Twin Fan	36" Wide
66098	VENT HOOD - Twin Fan	42" Wide
50650	BAR STOOLS - Hardwood Teak	2 Pack
47017	INSULATED GRILL JACKET - 30"	38.25" x 22.125" x 9"
47018	INSULATED GRILL JACKET - 38"	45.75" x 22.125" x 9"
97008-LP	GRIDDLE HEAD 24" - DROP-IN	23" x 21" x 9.5"

STORAGE

COOKING

COOLING

MISCELLANEOUS



DOOR/DRAWER COMBO, W/ PANTRY INSERT



PULL OUT TRASH DRAWER



LARGE SINGLE DRAWER



DOUBLE DRAWER



SIDEKICK GRILL CART SIDE BURNER



SLIDE-IN DOUBLE SIDE BURNER



POWER BURNER



PREMIUM REFRIGERATOR



30" BAR CENTER



BULL KEGERATOR 6.6 cu. ft.



CART COVER



VENT HOOD - TWIN FAN



BOTTLE OPENER



GRIDDLE HEAD 24"



Components



Stainless Steel Side Burner

15,000 BTU's
Piezo ignition
Cast Brass Burner
Solid Stainless Steel Grate
Item # 60008 (LP), 60009 (NG)
Dimensions: 12 1/2" x 20 1/2"
Cut Out: 11 1/4" x 17 1/2" x 3 1/4"
19 lbs .



Stainless Steel Double Side Burner

30,000 BTU's
Piezo ignition
Cast Brass Burner
Porcelain Cast Iron Grates
Item # 60088 (LP), 60099 (NG)
Dimensions: 26 1/2" x 20 1/2"
Cut Out: 22 3/8" x 17 1/8" x 2 1/2"
46 lbs.



Stainless Steel Ice Chest

Sealed Trim
Double Walled
Includes condiment tray
Item # 00002
Dimensions: 21 1/2" x 16 3/4"
Cut Out: 20 1/2" x 13 3/4" x 15 1/2"
61 lbs .



Double Drawer

304 Grade 16 Gauge Stainless Steel
Enclosed Drawers
Storage Space
Item # 56985
Dimensions: 15" x 22" x 20 1/2"
Cut Out: 12 3/4" x 19 1/2" x 20 3/4"
48 lbs.



Gas Tank Drawer/Door Combo

304 Grade 16 Gauge Stainless Steel
Single access door
Trash/Propane drawer
Item # 65784
Dimensions: 33" x 22" x 16 1/8"
Cut Out: 31" x 19 3/4" x 16 3/8"
50 lbs . (Ships LTL only)



Stainless Steel Sink

304, 16 Gauge Stainless Steel
Hot and Cold Water Faucet
Item # 12389
Dimensions: 14 7/8" x 14 7/8"
Cut Out: 14 1/4" x 14 1/4" x 7 5/8"
9 lbs.



30" Double Doors

304, 16 Gauge Stainless Steel
Double Walled Access Door
Item # 33568
Dimensions: 33" x 22" x 2"
Cut Out: 31" x 19 3/4" x 2 1/4"
22 lbs .



Door/Drawer Combo

304, 16 Gauge Stainless Steel
Fully enclosed drawer components
Double lined doors
Item # 25876
Dimensions : 33" x 22" x 20 1/2"
Cut Out: 31" x 19 3/4" x 20 3/4"
63 lbs . (Ships LTL only)



38" Double Doors

304, 16 Gauge Stainless Steel
Double Walled
Access Door
Item # 34000
Cut Out: 38 1/2"W x 19 3/4" L x 2 1/4" D
26 lbs.



Single Drawer

304 Grade 16 Gauge Stainless Steel
Slide -Out Drawer
Storage space
Item # 09970
Dimensions: 25 1/2" x 6" x 20 1/2"
Cut Out: 23 1/4" x 4" x 20 3/4"
17 lbs.



Gas Tank/Trash Drawer

304 Grade 16 Gauge Stainless Steel
Enclosed Slide -Out Drawer
Storage for Propane Tank/Trash Can
Item # 56825
Dimensions: 16 1/2" x 22 1/2" x 16 1/8"
Cut Out: 14 3/4" x 20 1/2" x 16 1/2"
36 lbs.



800-521-2855 BULLBBQ.COM





Components



Single Horizontal Door
 304 Grade 16 Gauge Stainless Steel
 Single Walled
 Access Door
 Lock & Key
Item # 89970
Dimensions: 25 5/8" x 18 1/8" x 1 1/2"
Cut Out: 23" x 15 3/4" x 2"
16 lbs.



Paper Towel Dispenser
 304 Grade 16 Gauge Stainless Steel
 Holds 1 Standard Roll of Paper Towels
Item # 73624
Dimensions: 11" x 16" x 11 1/4"
Cut Out: 9 1/4" x 14 1/4" x 11 1/2"
16 lbs.



Umbrella Hole & Sleeve
 304 Grade Stainless Steel
 Fits Standard Umbrella Pole
 Sleeve Item **#16624**
 Plug/C Item **#16625**



18" Bar Caddy
 Ice Bin with Removable Lid
 Removable Condiment Tray
 Towel Holder
Item # 85624 54 lbs .
Dimensions: 18" x 10 3/4" x 29"
Cut Out: 17 1/8" x 10 5/8" x 22 3/4"



Slide in Double Side Burner Front & Back
 304 Stainless Steel with Removable Cover
 Solid Brass Burners 11,000 BTU's Each
 Solid Stainless Steel Grates & Piezo Igniter
 Slide In Design
 Control Panel Matches Grills
Dimensions: 13 3/8" x 24 1/4" x 9 3/4"
Cut Out: 12 1/8" x 20 1/2" x 9 1/2"
LP #30008 NG #30009 29 lbs.



30" Grill Frame
 304 Stainless Steel
Item# 49328



Searing Station
 304 Stainless Steel with Removable Cover
 Solid Stainless Steel Grates & Piezo Igniter
 25,000 BTU Ceramic Inferred Burner
 Slide In Design
 Control Panel Matches Grills
Dimensions: 13 3/8" x 24 1/4" x 9 3/4"
Cut Out: 12 1/8" x 20 1/2" x 10"
LP #94008 – NG #94009 37 lbs.

38" Grill Frame
 304 Stainless Steel
Item# 58726

47" Grill Frame
 304 Stainless Steel
Item# 74327



Power Burner
 304 Stainless Steel with Removable Cover
 Solid Stainless Steel Grates & Piezo Igniter
 61,000 BTU Stainless Outer Burner
 & Brass inner Burner
 Slide In Design
 Control Panel Matches Grills
Dimensions: "22 x 24 7/8" "11 1/8"
Cut Out
LP #96000 – NG #96001
35 lbs.



Stainless Steel Vented Hood
 304 Stainless Steel Construction
 36" Wide x 32" Deep
 Stainless Steel Commercial
 Baffle Filters
 Two internal sealed motors –
 1250 CFM
 Twin halogen lighting system
 Top or Rear discharge
Item# 66009
105 lbs
(Ships LTL only)



Stainless Steel Insulated Grill Jacket
 304 Stainless Steel Construction
Cutouts for Gas and Electrical Hookups
Item# 47017 30" Jacket
Item# 47018 38" Jacket



800-521-2855 BULLBBQ.COM





Components



Searing Burners – 5 lbs.

Easy to install - 20,000 BTU's
Replaces 1 Cast Stainless Burner
7 Burner/Angus/Brahma -Item # 20505
Lonestar -Item# 20506



Drop -In Cutting Board – 13 lbs.

304 Grade 16 Gauge Stainless Steel
Removable Stainless Steel Lid
Hard Plastic Cutting Board
Drain in Bottom of Unit
Item# 66007
Dimensions: 12 3/4" x 19 1/2" x 3 3/4"
Cutout: 11 1/4"W x 17 1/2"D x 3 1/4" H



Bottle Opener – 2 lbs.

304 Grade 16 Gauge Stainless
Detachable Cap Catch
Easy mounting design
Item# 66006
Dimensions: 6"W x 1 7/8"D x 10"H



Removable Griddle

304 Grade 16 Gauge Stainless
Slide In Grill Griddle Plate
Full Sized Grease Trough
Easily Fits On Grill
Item# 97020
Dimensions: 19"W x 15"D x 1"H



Single Vertical Door Item # 89975

304 Grade 16 Gauge Stainless Steel
Double Walled
Access Door for propane tank/gas lines
Dimensions: 17 7/8" x 22" x 1 7/8"
Cut Out: 15 3/4" x 19 1/2" x 2
13 lbs.

Left Swing Door Option Item # 98552



30" Bar Caddy Item # 97623

Sink with Faucet
Cutting Board and Bottle Opener
Removable Condiment Tray
Ice Chest with removable lid
Dimensions: 30" x 10 3/4" x 28 3/8"
Cut Out: 29" x 10 5/8" x 22 3/4"
71 lbs. (Ships LTL only)



Warming Drawer Item # 85747

Variable Temperature Control
Moisture Vent Control
Heat-On Light
Dimension: 30" x 11 5/8" x 20 7/8"
Cut Out: 28 1/2" x 10" x 20 1/4"
63 lbs. (Ships LTL only)



Large Single Drawer Item

304 Grade 16 Gauge Stainless Steel
Slide -Out Drawer
Larger Storage Space Area
Designed to fit under Power Burner
(Allows for Power Burner Cover)
Fits SS Wok



Single Vented Door

304 Grade 16 Gauge Stainless Steel
Fully Vented
Perfect addition to any fire feature
Item # 89977
Dimensions: 17 7/8" x 22" x 1 7/8"
Cut Out: 15 3/4" x 19 1/2" x 2
12 lbs.



MP3 iPod Docking Station & Speakers

Access to plug in your MP3
Enclosed case is water resistant
Remote only works with iPod players
2 Marine Grade Speakers
Item# 72003
10 lbs .



800-521-2855 BULLBBQ.COM





Components



38" Door Drawer Combo

304 Grade 16 Gauge Stainless Steel
Double Walled Access Door

Item # 55875

Cut Out: 38 1/2"W x 19 3/4" L x 2 1/4" D

75 lbs. (Ships LTL only)



9' Umbrella

Metal Construction
Top Air Vent

Item # 32000

10 lbs .



24" Commercial Griddle

304 grade Stainless steel
(3) 304 grade Welded stainless burners
45,000 BTU's
chromium plated griddle.

Item # 97008 LP/97009 NG

Cutouts 23"W x21"D x9 1/2"H

LP# 97008

NG# 97009



Pull Out Trash Drawer

304 Grade Stainless Steel
10 Gallon Capacity (Includes
10 Gal. Plastic Trash Can)
Encased Design
Slide Out Design

Practical Addition to Kitchen

Item # 56825



800-521-2855 BULLBBQ.COM



The Brand Choice for Commercial and Professional BBQs. | ©2017 Bull Outdoor Products, Inc. All Rights Reserved.



GRILLING ACCESSORIES

Bull® Vineyard Rosewood Big Head Grill Brush

Item#24103

Stainless steel construction
Contoured rosewood handles
Replaceable and oversized brush head

Bull® Orchard Rosewood Steak Knives

Item#24104

Stainless steel construction
Contoured rosewood handles

Bull® Vineyard Rosewood Tongs

Item#24102

Stainless steel construction
Contoured Rosewood handles

Bull® Vineyard Rosewood Spatula

Item#24101

Stainless steel construction
Contoured rosewood handles
Built-in bottle opener

Bull® Vineyard Rosewood 3pc BBQ Tool Set

Item#24100

Spatula with bottle opener
Tongs with extra long reach
Grill brush with a replaceable head

Bull® V-Shaped Smoker Box

Item#24112

Stainless steel construction

Bull® Rosewood Handle Basting Brush w/Silicone Head

Item#24130

Silicone head basting brush & rosewood handle
Removable silicone brush for easy cleaning

Bull® Rosewood Handle Double Prong Skewers

Item#24122

Stainless steel construction
Rosewood handle
Set of 4

Bull® Medium & Small Grid with side handles

Item#24118

Stainless steel construction
Large handles for easy grip

Bull® Cast Iron Grill Sauce Pot with Basting Brush

Item#24129

Pre seasoned cast iron sauce pot
Black silicone basting brush with stainless steel handle



Bull® Marinade Injector

Item# 24205

Long Stainless Steel needle puts flavor in your meat

Bull® Soft Grip Handle Big Head Grill Brush

Item# 24218

Comfortable soft handle for nice grip
Cleans grill more easily and efficiently

Bull® Soft Grip Handle Spatula

Item# 24217

Longer handle allows for easy retrieval from grill to serving plate

Bull® Soft Grip Handle Locking Tongs

Item# 24219

Easy locking assembly allows food to be firmly transported to serving dishes without losing it

Bull® Reusable Steak Buttons W/Silicone Ring

Item# 24228 (Set of 4)

Cook your steak exactly how you want it
Temperature settings of Rare, Medium, and Well

Bull® Stainless Steel Grill Clips

Item# 24206 (Set of 4)

Grills individual portions of vegetables
Ideal for long vegetables

Bull® Apron

Item#02006

Red Cotton Apron with the Bull Outdoor Logo

Bull® Ultimate BBQ Mitt

Item#24134

Glove withstands extreme heat up to 475F
Reversible to fit both left and right hands

Bull® Dual Handle Mega Monster Brush

Item#24141

Revolutionary dual handle design
Stainless steel bristles & scraper
Measures 19in x 8in x 5in.

Bull® Dual Handle Monster Brush

Item#24140

Revolutionary dual handle design.
Stainless steel bristles & scraper
Measure 19in x 4in x 3in.



800-521-2855 BULLBBQ.COM



The Brand Choice for Commercial and Professional BBQs. | ©2017 Bull Outdoor Products, Inc. All Rights Reserved.



GRILLING ACCESSORIES

Bull® Circle Kabob Skewers

Item#24119

Stainless steel construction
Set of 4



Bull® Signature Stainless Steel Skewers

Item#24123

Stainless steel construction
Extra wide forks to avoid slipping
Set of 6



Bull® Flexible Wire Skewers

Item#24124

Stainless steel construction
Set of 4



Bull® Rectangle Flexi Grilling Basket

Item#24109

Stainless steel construction
Stay cool handle



Bull® Reversible Roasting/Rib Rack

Item#24107

Stainless steel construction
with six slots for ribs



Bull® Cast Iron Rectangular Grill Press

Item#24132

Cast iron construction
Wood handle
Measure 4.5in wide x 8.75 in length.



Bull® Non-Stick Grate Conditioning Spray

Item# 24227

Awesome Grate protectant for your Bull Grill
Can be used on tongs and utensils as well



Bull® Stuff A Burger 2 Pc Stainless Steel Burger Basket & Press

Item# 24226

Personalize your burger by stuffing it with your favorite fillings and cook to perfection



Bull® Stainless Steel Adjustable Corn Grilling Basket

Item# 24216

Holds 4 corns
Adjustable height



Bull® Wire Mesh Shaker Basket with/ Lid

Item# 24212

Stainless steel basket prevents small pieces of vegetables and other food from falling into fire
Can be used for sauté or stir fry



Bull® Grill Scraper

Item#24142

Stainless steel construction
Cleans both sides of the grate
Tailored to fit Bull grill grates



Bull® Instant Digital Steak Thermometer

Item#24135

LED light screen
Four separate temperature zones



Bull® Instant Digital Thermometer

Item#24137

Instant response
Folding probe
Locks into multiple angles
Switches between Fahrenheit & Celsius



Bull® Steak Button Thermometer

Item#24138

Three settings: Rare, Medium, Well.
Set of 4



Bull® Grill Grate Lifter

Item#24145

Stainless steel construction
Heat shield protects hand from heat
Sturdy enough to lift heavy stainless steel/cast iron grates



Bull® Cast Iron Moistly Grilled Grill Humidifier

Item#24144

Cast iron moistly grilled humidifier
Vented lid



Bull® Plastic 2 in 1 Brush w/Long Handle

Item#24139

Red plastic handle
Stainless steel bristle brush
nylon grid scraper.



Bull® Brahma Grill Brush

Item#02036

Large 6 inch brush head
Brass brush bristles, scraper and wooden handle.



Bull® Mini Burger Grilling Basket w/Triple Patty Press

Item#24110

Stainless steel construction
Rosewood handle
Holds nine mini burgers
Triple patty press to help make perfect patties



800-521-2855 BULLBBQ.COM



The Brand Choice for Commercial and Professional BBQs. | ©2017 Bull Outdoor Products, Inc. All Rights Reserved.



GRILLING ACCESSORIES

Bull® Kabob Grilling Basket

Item#24113
Stainless steel construction
Rosewood handle



Bull® Sausage Grilling Basket

Item#24111
Stainless steel construction
Rosewood Handle
Holds six sausages, Adjustable height



Bull® Chili Pepper Grill Rack

Item#24116
Stainless steel construction
Holds 18 Peppers
Pepper knife with Rosewood handle



Bull® Large Grid With Side Handles

Item#24117
Stainless steel construction
Large handles for easy grip. Measures 12in x 19.5in x 1in.



Bull® Convertible Wok/Vertical Poultry Rack

Item#24106
Stainless steel construction
Removable basting cup



Bull® Wok for Grill

Item#24108
Stainless steel construction
Easy grip handles



Bull® Griddle for Grill

Item#24105
Stainless steel construction with easy grip handles
Reservoir grease tray in front of unit



Bull® Non-Stick Oval Grill Pan

Item#24121
Stainless steel non-stick finish



Bull® Non-Stick Square Grill Pan

Item#24120
Stainless steel non-stick finish
Indented corner for pouring out liquid



Bull® Pizza Cutter

Item#24128
Stainless steel construction
Rock blade for quick slices & wood handle



Bull® Stainless Steel Potato Rack

Item# 24215
Cooks potatoes faster
Holds up to 4 potatoes



Bull® Plank Saver w/Side Handles

Item#24147
Stainless steel construction
Side handles for easy grip
Re-usable tray



Bull® Cedar Wood Grilling Planks

Item#24146
Made with Cedar wood
Infuses food with flavor of smoked cedar



Bull® BBQ Oven Plate

Item#24165
Turns your conventional oven into a
Confectioner oven to make scrumptious
desserts



Bull® Stainless Steel Grilling & Serving Plate

Item#24213
Great for crisping and sizzling food
Dishwasher safe



Bull® Cast Iron Garlic Roaster & Squeezer Set

Item#24214
Great for serving roasted garlic
Oven and Grill Safe



Bull® Pizza Peel

Item#24126
Stainless steel construction
Features a swivel wood handle



Bull® Pizza Stone for Grill

Item#24125
Stainless steel base
Built-in thermometer in the base



Bull® Pizza Stone Scrubber

Item#24127
Stainless steel bristles with a wood frame



Bull® Stainless Steel Skewer Station

Item# 24207
Exciting way to present your grilled meats and
vegetables at meals
Includes 6 skewers, 1 fork, and 1 stand.
Removable wooden base



800-521-2855 BULLBBQ.COM



The Brand Choice for Commercial and Professional BBQs. | ©2017 Bull Outdoor Products, Inc. All Rights Reserved.



Coming soon, gas powered Bull Pizza Ovens



REINVENT THE ART OF PIZZA MAKING IN YOUR OWN BACKYARD

The modern pizza may have evolved in Naples, Italy in the 18th or early 19th century. However, the new modern pizza starts in your own backyard, with the Bull Pizza Oven line. Bull's Wood Fire Pizza Ovens are hand crafted in Italy, constructed with the finest materials including steel and 441 stainless steel, solid welds throughout and high quality food grade cooking stones. Bull Pizza Ovens are simple to set up and include two portable models. Bull Pizza Ovens preheat in less than 15 minutes, so start enjoying the amazing taste of homemade Wood Fire pizzas in your own backyard today!



PIZZA Q KITCHEN



EXTRA LARGE PIZZA OVEN



LARGE PIZZA OVEN



PIZZA TOOLS

MASTER THE ART OF OUTDOOR COOKING WITH BULL ACCESSORIES

With more than 80 unique grilling accessories, available in high-quality wood and/or stainless steel, Bull accessories will help turn you into a grilling master. Bull offers barbecue tools, grilling utensils, kebob skewers, thermometers, Pizza Q accessories, smoking and seasonings tools and more!



Grill Brush, Scrapers, Spatula, Tongs, Pit Mitt, Knife

Pans, Racks, Baskets, Woks, Brushes

Pizza Q - Stone, Peel, Cutter, Stone Scrubber



Signature Skewers, Meat Station, Flip Digital - Thermometers, Bamboo Chopping Block

Stainless Steel Cleaners, Grill Spray, ReliaBull Tumbler

Bull BBQ Sauce, Rubs, Smoker Box



PIZZA ACCESSORIES

Bull® Hardwood Rolling Pin

Item# 24222

Perfect for creating artisanal pizza and pie crusts

Rolling with included silicone rings makes ideal 1/8 of an inch crust



Bull® Wood Pizza Peel

Item# 24224

Comfortable wood handle makes pizza retrieval a snap

Easy to clean, small assessor hole allows for easy hanging



Bull® 15" Pizza Stone

Item# 24208

Bake crispier crust pizzas and breads at home
Thermal Shock resistant



Bull® Wood Double Dough Roller

Item# 24223

Large end rolls dough to desired size

Small end rolls refines thickness of dough edge



Bull® Wood Pizza Cutter

Item# 24221

Good for all surfaces

Cuts pizza in a snap



Bull® Non Stick Pizza Cone Set

Item# 24225 (Set of 2)

Newest way to prepare pizza

Includes: 2 nonstick pizza cones, nonstick pizza stands, 1 dough cutter, and 1 rolling crimper



800-521-2855 BULLBBQ.COM

RELIABULL
HEAT TECHNOLOGY

The Brand Choice for Commercial and Professional BBQs. | ©2017 Bull Outdoor Products, Inc. All Rights Reserved.



PIZZA OVENS



SMALL PIZZA Q ISLAND

Shown with Stucco Rock

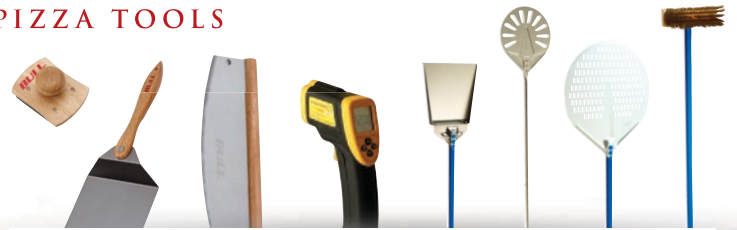
Includes Large Pizza Oven

PART # 31113

Features:

- 100% Made in Italy
- Steel and 441 Stainless Steel Construction
- Solid weld construction
- Rock Based Insulation which will not break down
- Food Grade Cooking Stones
- 10-15 Min Preheat Time
- Easy Setup
- Moveable

PIZZA TOOLS



Professional Kit 66035 | Homeowner Kit 66038



LARGE PIZZA OVEN

Available with and without cart base

PART # 66025

PART # 66024

EXTRA LARGE PIZZA OVEN

Available with and without cart base

PART # 66042

PART # 66040



800-521-2855 BULLBBQ.COM



The Brand Choice for Commercial and Professional BBQs. | ©2017 Bull Outdoor Products, Inc. All Rights Reserved.



PIZZA ACCESSORIES

PIZZA TOOLS



Professional Kit 66035 | Homeowner Kit 66038

Bull® Hardwood Rolling Pin
Item# 24222

Perfect for creating artisanal pizza and pie crusts
Rolling with included silicone rings makes ideal 1/8 of an inch crust



Bull® Wood Pizza Peel
Item# 24224

Comfortable wood handle makes pizza retrieval a snap
Easy to clean, small assessor hole allows for easy hanging



Bull® 15" Pizza Stone
Item# 24208

Bake crispier crust pizzas and breads at home
Thermal Shock resistant



Bull® Wood Double Dough Roller
Item# 24223

Large end rolls dough to desired size
Small end rolls refines thickness of dough edge



Bull® Wood Pizza Cutter
Item# 24221

Good for all surfaces
Cuts pizza in a snap



Bull® Non Stick Pizza Cone Set
Item# 24225 (Set of 2)

Newest way to prepare pizza
Includes: 2 nonstick pizza cones, nonstick pizza stands, 1 dough cutter, and 1 rolling crimper



800-521-2855 BULLBBQ.COM





Display Racks & Floor Displays



Contractor Rack
Item# 29000 rack only



Item #24257 - BULL BBO Sauce
Countertop Display-12 Pack Assortment

Item #24370 - BULL BBO RUB
Countertop Display-12 Pack Assortment



Know Bull Media Center
Item #31117 – as shown



Item #24258 - BULL BBO Sauce
Floorstand Display 36 Pack Assortment



Item #24201 Bull Grilling Accessories Dealer Rack 24 x 72
Note: Rack sold with item listed on pages 2/3, *Rack comes complete with 70 hooks and sign.



Item #24270 - Grease Tray Liners
Floorstand Display 36 Pack Assortment



800-521-2855 BULLBBQ.COM



The Brand Choice for Commercial and Professional BBQs. | ©2017 Bull Outdoor Products, Inc. All Rights Reserved.



BULL OUTDOOR KITCHEN COLLECTION



Featured: **BBQ Outdoor Kitchen**, with upgrades: Brahma Grill Head, Single Side Burner, Door/Drawer Combo

Standard Features	MASTER Q™	JUNIOR GOURMET Q™	POWER Q™	LUXURY Q™	OCTIQ™	BBQ™
GRILL HEAD LP-NG	ANGUS – Stainless Steel 4 Burner, 75,000 BTUs	ANGUS – Stainless Steel 4 Burner, 75,000 BTUs	ANGUS – Stainless Steel 4 Burner, 75,000 BTUs	ANGUS – Stainless Steel 4 Burner, 75,000 BTUs	ANGUS – Stainless Steel 4 Burner, 75,000 BTUs	ANGUS – Stainless Steel 4 Burner, 75,000 BTUs
BASE FINISH	4 Stucco color options	4 Stucco color options	4 Stucco color options	4 Stucco color options	4 Stucco color options	4 Stucco color options
COUNTER TOP	20 Imported Tile options	20 Imported Tile options	20 Imported Tile options	20 Imported Tile options	20 Imported Tile options	20 Imported Tile options
REFRIGERATOR	NA	Stainless Steel 4.5 cu. ft.	Stainless Steel 4.5 cu. ft.	Stainless Steel 4.5 cu. ft.	Stainless Steel 4.5 cu. ft.	Stainless Steel 4.5 cu. ft.
STORAGE	Stainless Steel Access Door W/ lock & key	Stainless Steel Double Door & Vertical Door	Stainless Steel Access Door W/ lock & key	Stainless Steel Access Door W/ lock & key	Stainless Steel Access Door W/ lock & key	Stainless Steel Access Door W/ lock & key
POWER	GFCI Electric Outlet	GFCI Electric Outlet	GFCI Electric Outlet	GFCI Electric Outlet	GFCI Electric Outlet	GFCI Electric Outlet
SPECIAL FEATURE	Small Footprint	Raised Bar	31" or 43" Countertop	L-Shape	Circular Seating	Seats 8



BULL OUTDOOR KITCHEN COLLECTION

The Bull Outdoor Kitchen Collection is immense, and includes many impressive standard features that will turn your outdoor cooking dreams into reality. Stylize your Bull Outdoor Kitchen with over 40 tile and base combinations, include a unique Mosaic glass tile inlay to make your Bull Outdoor Kitchen a "one of a kind" backyard masterpiece.

Boasting 18 standard features and over 90 optional upgrades, Bull will bring your kitchen outdoors where you can really enjoy it! With more than 25 years of experience developing and manufacturing outdoor kitchens, Bull's designs are engineered and tested to stand up to the harsh outdoor elements and help increase the value of your home.



POWER Q™



WESTERN Q™



OUTDOOR KITCHEN™

LUXURY Q™



GOURMET Q™
Raised Bar



SUPREME Q™

Standard Features	CULINARY Q™	OUTDOOR KITCHEN™	SUPREME Q™	WESTERN Q™	PATIO Q™	GOURMET Q™
GRILL HEAD LP-NG	ANGUS – Stainless Steel 4 Burner, 75,000 BTUs	ANGUS – Stainless Steel 4 Burner, 75,000 BTUs	ANGUS – Stainless Steel 4 Burner, 75,000 BTUs	ANGUS – Stainless Steel 4 Burner, 75,000 BTUs	OUTLAW- 4 Cast Porcelain Coated Cast Iron Burners 60,000 BTUs	ANGUS – Stainless Steel 4 Burner, 75,000 BTUs
BASE FINISH	4 Stucco color options	4 Stucco color options	4 Stucco color options	4 Stucco color options	4 Stucco color options	4 Stucco color options
COUNTER TOP	20 Imported Tile options	20 Imported Tile options	20 Imported Tile options	20 Imported Tile options	20 Imported Tile options	20 Imported Tile options
REFRIGERATOR	Stainless Steel 4.5 cu. ft.	Stainless Steel 4.5 cu. ft.	Stainless Steel 4.5 cu. ft.	Stainless Steel 4.5 cu. ft.	NA	Stainless Steel 4.5 cu. ft.
STORAGE	Stainless Steel Access Door W/ lock & key	Stainless Steel Access Door W/ lock & key	Stainless Steel Access Door W/ lock & key	Stainless Steel Access Door W/ lock & key	Stainless Steel Vertical Door	2 x Stainless Steel Access Door W/ lock & key
POWER	GFCI Electric Outlet	GFCI Electric Outlet	GFCI Electric Outlet	GFCI Electric Outlet	GFCI Electric Outlet	GFCI Electric Outlet
SPECIAL FEATURE	Wraparound Seating	31" or 43" Countertop	Large Area	Raised Bar	Small Area	Large 2 piece assembly

See the complete line of Bull Outdoor Kitchens online at BULLBBQ.com



Islands

Master-Q

Item # 31004 Stucco

Item # 31005 Rock

Standard Features

- Angus 4 Burner Grill
- Stucco Base
- Porcelain Tile Counter
- Horizontal S/S Access Door
- GFCI Outlet
- Available in 31" or 43" top



Little-Q

Item # 31046 Stucco

NOT Available in Rock

Standard Features

- Angus 4 Burner Grill
- Stucco Base
- Porcelain Tile Counter
- Stainless Steel Refrigerator
- Horizontal S/S Access Door
- GFCI Outlet



Patio-Q

Item # 31086 Stucco

NOT Available in Rock

Standard Features

- Outlaw 4 Burner Grill
- Stucco Base
- Porcelain Tile Counter
- Vertical Access Door
- GFCI Outlet



****Note:** Islands shown may have upgrades. Island size may vary & extension fees may apply depending on components added to select islands.**



800-521-2855 BULLBBQ.COM



The Brand Choice for Commercial and Professional BBQs. | ©2017 Bull Outdoor Products, Inc. All Rights Reserved.



Islands

BBQ

Standard Features

- **Angus 4 Burner Grill**
- **Stucco Base - Tile Counter 43" wide top**
- **Stainless Steel Refrigerator -Horizontal S/S Access Door**
- **Stainless Steel Sink and Faucet**
- **GFCI Outlet**



Item # 31014 Stucco
Item # 31015 Rock

Optional Upgrades

- **Brahma Grill**
- **Rock Base**
- **Stucco-Rock Base**
- **Granite Counters**
- **Single Side burner**
- **Chopping Block**
- **Stainless Steel Utility Drawer**
- **AM/FM CD Player w/Speakers**
- **MP3 Docking Station**
- **Drop-In Ice Chest**
- **GFCI Outlet**
- **Double Door**
- **Double Drawer**
- **Door/Drawer Combo**
- **Double Side Burner**
- **Umbrella**
- **Bottle Opener**
- **Outdoor Rated Refrigerator**

Island shown using
Angus Grill
Refrigerator

Upgrades:
Double Door
Umbrella
Rock Base

****Note: Islands shown may have upgrades. Island size may vary & extension fees may apply depending on components added to select islands.****



800-521-2855 BULLBBQ.COM



The Brand Choice for Commercial and Professional BBQs. | ©2017 Bull Outdoor Products, Inc. All Rights Reserved.



Islands

Power BBQ

Item # 31008 Stucco

Item # 31009 Rock

Standard Features

- Angus 4 Burner Grill
- Stucco Base
- Porcelain Tile Counter
- Stainless Steel Refrigerator
- Horizontal S/S Access Door
- GFCI Outlet



Power –Q Raised Back Bar

Item # 31012 Stucco

Item # 31013 Rock

Standard Features

- Angus 4 Burner Grill
- Stucco Base
- Porcelain Tile Counter
- Stainless Steel Refrigerator
- Horizontal S/S Access Door
- GFCI Outlet



Outdoor Kitchen

Item # 31010 Stucco

Item # 31011 Rock

Standard Features

- Angus 4 Burner Grill
- Stucco Base
- Porcelain Tile Counter
- Stainless Steel Sink
- Stainless Steel Refrigerator
- Horizontal S/S Access Door
- GFCI Outlet
- Available in 31" or 43" top



****Note:** Islands shown may have upgrades. Island size may vary & extension fees may apply depending on components added to select islands.**



800-521-2855 BULLBBQ.COM



The Brand Choice for Commercial and Professional BBQs. | ©2017 Bull Outdoor Products, Inc. All Rights Reserved.



Islands

Power-Q

Standard Features

- **Angus 4 Burner Grill**
- **Stucco Base -Tile Counter available in 31" or 43"**
- **Stainless Steel Refrigerator**
- **Horizontal S/S Access Door**



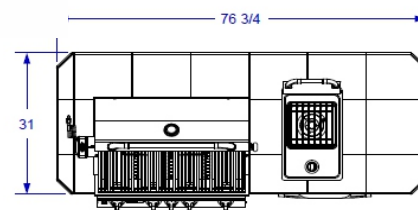
Item # 31006Stucco
Item # 31007Rock

Island shown using :
Outlaw Grill
Refrigerator

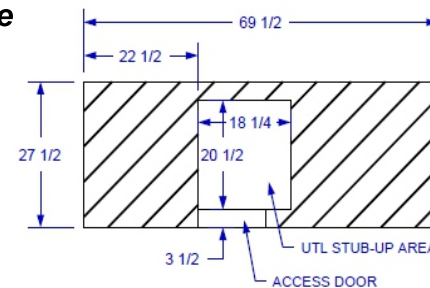
Upgrades:
Stucco Rock Base
Double Doors

Optional Upgrades

- | | |
|-------------------------------------|-------------------------------------|
| • Brahma 5 Burner Grill | • GFCI Outlet |
| • Door/Drawer Combo | • Double Door |
| • Double Sideburner | • Rock Base |
| • Granite Counters | • Stucco Rock Base |
| • Single Side Burner | • Umbrella |
| • Chopping Block | • Bottle Opener |
| • AM/FM CD Player w/Speakers | • Outdoor Rated Refrigerator |
| • MP3 Docking Station | |



TOP VIEW



****Note: Islands shown may have upgrades. Island size may vary & extension fees may apply depending on components added to select islands.****



800-521-2855 BULLBBQ.COM





Islands

Octi-Q

Item # 31016 Stucco

Item # 31017 Rock

Standard Features

- *Angus 4 Burner Grill*
- *Stucco Base*
- *Porcelain Tile Counter*
- *Horizontal S/S Access Door*
- *GFCI Outlet*
- *Stainless Steel Refrigerator*



JR Gourmet-Q

Item # 31022 Stucco

Item # 31023 Rock

Standard Features

- *Angus 4 Burner Grill*
- *Stucco Base*
- *Porcelain Tile Counter*
- *Horizontal S/S Access Door*
- *GFCI Outlet*
- *Stainless Steel Refrigerator*



Gourmet-Q Raised Bar

Item # 31119 Stucco

Item # 31120 Rock

Standard Features

- *Angus 4 Burner Grill*
- *Stucco Base*
- *Porcelain Tile Counter*
- *GFCI Outlet*
- *(2) Horizontal S/S Access Doors*
- *Stainless Steel Refrigerator*
- *Stainless steel sink & faucet*



****Note: Islands shown may have upgrades. Island size may vary & extension fees may apply depending on components added to select islands.****



800-521-2855 BULLBBQ.COM



The Brand Choice for Commercial and Professional BBQs. | ©2017 Bull Outdoor Products, Inc. All Rights Reserved.



Islands

Gourmet - Q

Standard Features

- Angus 4 Burner Grill - Stucco Base
- Tile Counter - Stainless Steel Refrigerator
- Stainless Steel Sink and Faucet - (2) Horizontal S/S Access Door
- GFCI Outlet



Optional Upgrades

- Brahma Grill
- Rock Base
- Stucco-Rock Base
- Granite Counters
- Single Side burner
- Chopping Block
- Stainless Steel Utility Drawer
- AM/FM CD Player w/Speakers
- MP3 Docking Station
- Drop-In Ice Chest
- GFCI Outlet
- Double Door
- Double Drawer
- Door/Drawer Combo
- Double Side Burner
- Umbrella
- Bottle Opener
- Outdoor Rated Fridge

Island shown using
Angus Grill
Refrigerator

Upgrades:
Rock
Double Door
Door/Drawer Combo
Ice Chest
Umbrella
Single Sideburner

****Note: Islands shown may have upgrades. Island size may vary & extension fees may apply depending on components added to select islands.****



800-521-2855 BULLBBQ.COM



The Brand Choice for Commercial and Professional BBQs. | ©2017 Bull Outdoor Products, Inc. All Rights Reserved.



Islands

Supreme-Q

Item # 31065 Stucco

Item # 31066 Rock

Standard Features

- **Angus 4 Burner Grill**
- **Stucco Base**
- **Porcelain Tile Counter**
- **Stainless Steel Refrigerator**
- **Horizontal S/S Access Door**
- **GFCI Outlet**



Supreme-Q Raised Bar

Item # 31121 Stucco

Item # 31122 Rock

Standard Features

- **Angus 4 Burner Grill**
- **Stucco Base**
- **Porcelain Tile Counter**
- **Stainless Steel Refrigerator**
- **Horizontal S/S Access Door**
- **GFCI Outlet**



Luxury-Q

Item # 31026 Stucco

NOT Available in Rock

Standard Features

- **Angus 4 Burner Grill**
- **Stucco Base**
- **Porcelain Tile Counter**
- **Stainless Steel Refrigerator**
- **Horizontal S/S Access Door**
- **GFCI Outlet**



****Note: Islands shown may have upgrades. Island size may vary & extension fees may apply depending on components added to select islands.****



800-521-2855 BULLBBQ.COM



The Brand Choice for Commercial and Professional BBQs. | ©2017 Bull Outdoor Products, Inc. All Rights Reserved.



BULL INTRODUCES COASTAL DISTRESSED WOOD BASE FINISHES FOR SELECTED OUTDOOR KITCHENS



Featured: ODK with Alchemy Silver tile & Coastal Distressed GRAY MIST base



BULL now has Coastal Distressed wood base paneling.

BULL offers two new unique base finishing materials to create your own one of a kind Outdoor Kitchen dream. Coastal Distressed is a cement based product that is designed to look like distressed wood and will last a lifetime. We offer Coastal Distressed as an upgrade on our QuickShip program, or go full custom, with over twenty porcelain countertop tile to select from, we are sure to have the perfect match for your patio or backyard.

GRAY MIST

HAYDEN



Islands

Small Pizza Q Island

Standard Features

- *Small Pizza Oven * Stainless Steel Access Door*
- *Porcelain Tile Counter * Stucco Base Finish*
- *Wood Storage Cutout w/ Tile Finish * Double Drawer*



Item #31113 Stucco
NOT Available in Rock

Optional Upgrades

- *XL Pizza Oven*
- *Stucco-Rock Base*
- *Granite Counters*

Island show with stucco
rock upgrade

****Note:** Islands shown may have upgrades. Island size may vary & extension fees may apply depending on components added to select islands.**



800-521-2855 BULLBBQ.COM





Islands

Culinary-Q

Item # 31045 Stucco
NOT Available in Rock

Standard Features

- **Angus 4 Burner Grill**
- **Stucco Base**
- **Porcelain Tile Counter**
- **Stainless Steel Refrigerator**
- **Horizontal S/S Access Door**
- **GFCI Outlet**



Mesquite-Q

Item # 31043 Stucco
NOT Available in Rock

Standard Features

- **Angus 4 Burner Grill**
- **Stucco Base**
- **Porcelain Tile Counter**
- **Stainless Steel Refrigerator**
- **Horizontal S/S Access Door**
- **GFCI Outlet**



Western-Q

Item # 31069 Stucco
Item # 31070 Rock

Standard Features

- **Angus 4 Burner Grill**
- **Stucco Base**
- **Porcelain Tile Counter**
- **Stainless Steel Refrigerator**
- **Horizontal S/S Access Door**
- **GFCI Outlet**



****Note: Islands shown may have upgrades. Island size may vary & extension fees may apply depending on components added to select islands.****



800-521-2855 BULLBBQ.COM





Kamado & Bar

Kamado Kitchen

DOES NOT include Kamado

Item # 31123 Stucco

NOT Available in Rock

Standard Features

- Stucco Base
- Porcelain Tile Counter
- Stainless Steel Refrigerator



Entertainers Bar

Item # 31031 Stucco

Item # 31032 Rock

Standard Features

- 30" Bar Center
- Stucco Base
- Porcelain Tile Counter
- Stainless Steel Refrigerator
- Horizontal S/S Access Door



****Note: Islands shown may have upgrades. Island size may vary & extension fees may apply depending on components added to select islands.****



800-521-2855 BULLBBQ.COM



The Brand Choice for Commercial and Professional BBQs. | ©2017 Bull Outdoor Products, Inc. All Rights Reserved.



Fire Pits

Angled Rectangular Fire Pit

sku# 31115

Features

- Stainless steel "H" burner
- Your choice of fire glass or river rock
- Includes temp controls &
- Stainless steel access door.



Angled Square Fire Pit

sku# 31125

Features

- Round stainless steel burner
- Provides quality heating
- Your choice of fire glass or River rock
- Includes temp controls and Stainless steel access door



Angled Square Fire Table

sku# 31049

Features

- 15,000 – 20,000 BTU Burner
- Stucco Base
- Porcelain Tile Top
- Vertical Door Available
- NG or LP



Optional Upgrades:

- Granite 12" x12" Tile Top
- Stucco-Rock Base
- Rock Base

****Note: Fire Pits shown may have upgrades.****



800-521-2855 BULLBBQ.COM



The Brand Choice for Commercial and Professional BBQs. | ©2017 Bull Outdoor Products, Inc. All Rights Reserved.



Fire Pits

Square Fire Pit

sku# 31034

Features

- 35,000 BTU Burner
- Accommodates 5 Gallon Propane Tank
- Single Horizontal Door
- Standard Stucco Base
- Standard Tile Top
- Available in either Natural Gas or Propane



Hexagon Fire Pit

sku# 31035

Features

- 35,000 BTU Burner
- Accommodates 5 Gallon Propane Tank
- Single Horizontal Door
- Standard Stucco Base
- Standard Tile Top
- Available in either Natural Gas or Propane



Rectangular Fire Pit

Sku# 31044

Features

- 35,000 BTU Burner
- Accommodates 5 Gallon Propane Tank
- Single Horizontal Door
- Standard Stucco Base
- Standard Tile Top
- Available in either Natural Gas or Propane



Optional Upgrades:

- Granite 12" x12" Tile Top
- Stucco-Rock Base
- Rock Base

****Note: Fire Pits shown may have upgrades.****



800-521-2855 BULLBBQ.COM



The Brand Choice for Commercial and Professional BBQs. | ©2017 Bull Outdoor Products, Inc. All Rights Reserved.



Fire Pits

Angled Rectangular Fire Table

sku# 31124

Features

- Seats up to 6 adults
- Works as a fire pit and table
- Features stainless steel "H" burner
- Your choice of fire glass or river rock
- Includes temp controls & Stainless steel access door



Traditional Fireplace

sku# 61002

Features

- Outdoor Rated Vent less – NG ONLY
- Complete igniter system
- 28,000 – 41,000 BTU Rating
- Includes Hearth Stones & Firebox stone trim
- Log Set included
- Rock Stucco Finish
- Iron Accent shown #37075 upgrade



Wood Burning Fireplace

sku# 31124

Features

- Outdoor rated and Vented
- Burns real wood
- Includes Hearth Stones & Firebox trim
- Rock Stucco Finish
- Log rack included
- Porcelain tile accents
- Shown in Alchemy Copper



****Note: Fire Pits shown may have upgrades.****



800-521-2855 BULLBBQ.COM

RELIQBULL
HEAT TECHNOLOGY

The Brand Choice for Commercial and Professional BBQs. | ©2017 Bull Outdoor Products, Inc. All Rights Reserved.