



VERMONT  CASTINGS™

WOOD-BURNING INSERTS

TRUE CRAFTSMANSHIP

Vermont Castings was founded on the belief that the stately beauty of cast iron could be combined with the simple utility of wood heat, to craft stoves of value and enduring beauty.

Among the vibrant hills and silver waters of the Green Mountain State is one constant: the promise of American craftsmanship. This is where day after day, year after year, the proud people of Vermont Castings craft each stove with hand and heart.

Vermont Castings provides more than heat. It's the warmth that unites. The timeless designs and furniture-quality finish set the scene for intimate memories. No detail is too small, no element insignificant. This is true craftsmanship.

VERMONT  **CASTINGS™**





MONTPELIER

WOOD-BURNING INSERT

KEY FEATURES



Timeless cast iron styling with a furniture-quality finish



Variable speed fan to better distribute heat throughout your space



Conveniently burn up to 18" logs



Customize your look with one of four surround styles



MERRIMACK

WOOD-BURNING INSERT

KEY FEATURES



Timeless cast iron styling with a furniture-quality finish



Automatic startup air control assists in starting the fire



Variable speed fan to better distribute heat throughout your space



Conveniently burn up to 20" logs

4 EASY STEPS TO UPGRADE YOUR EXISTING WOOD-BURNING FIREPLACE

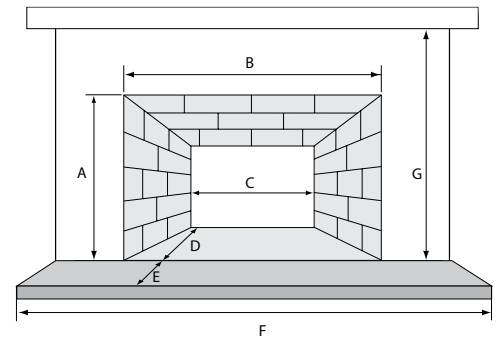
- 1 Measure Your Existing Fireplace
- 2 Select Your Insert

- 3 Select A Surround
- 4 Customize Your Insert

STEP 1: Measure Your Existing Fireplace

The height, width and depth of the existing fireplace opening is needed to ensure selection of an appropriately-sized insert:

- A. Fireplace front height _____
- B. Fireplace front width _____
- C. Fireplace back width _____
- D. Fireplace Depth _____
- E. Hearth depth _____
- F. Hearth width _____
- G. Hearth to mantel height _____



STEP 2: Select Your Insert

Selecting an insert consists of two main factors. Keep these in mind and you're sure to make a solid choice:

- Consider the size of your existing fireplace opening– try and fill that space
- Consider how your insert will be used: room size, heating needs and usage frequency all come into play

STEP 3: Select A Surround

Surrounds remove the gap between the fireplace insert and existing fireplace opening. Choose from numerous sizes and styles for a unique look.

MONTPELIER SURROUNDS



MEAD
41-11/16" x 28-1/4"



GEORGIAN
47-1/2" x 30-1/4"



CAPRICE
35" x 25"



STEEL
38-1/4" x 27" (Sml), 41" x 28-1/4" (Lrg)

MERRIMACK SURROUNDS



NORTHFIELD
46" x 32"



EXETER
45-3/4" x 32"

STEP 4: Customize Your Insert

Make it your own. Select stunning finish options and accessories.

INSERT FINISHES

Color choices complete the look of your insert.

Montpelier Finish Options



CLASSIC BLACK



MAJOLICA BROWN

Merrimack Finish



CLASSIC BLACK

ACCESSORIES

Accessories that fit your home and lifestyle.



PORTABLE SAFETY SCREEN
allows you to have peace of mind



CAST IRON WOOD BIN



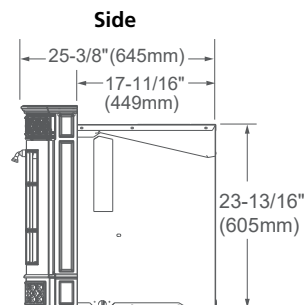
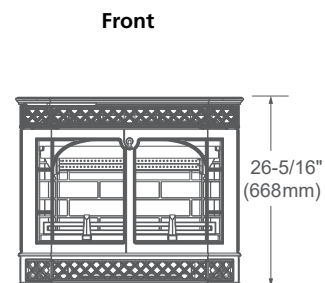
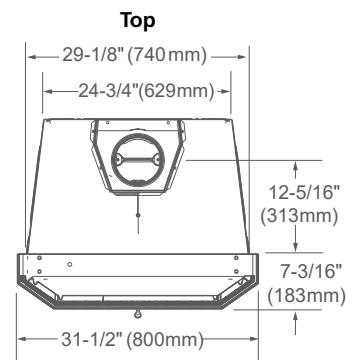
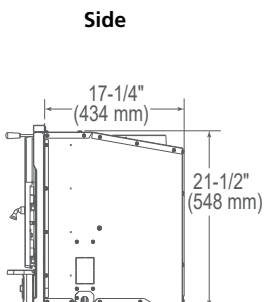
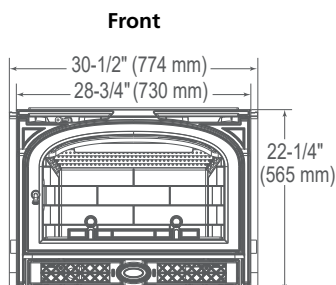
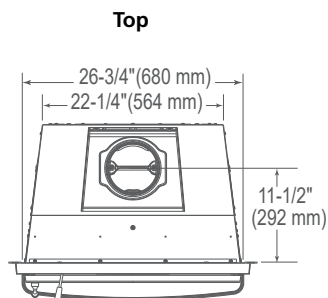
**VERMONT CASTINGS
LEATHER GLOVES**

SPECIFICATIONS

MONTPELIER

MERRIMACK

Product Dimensions

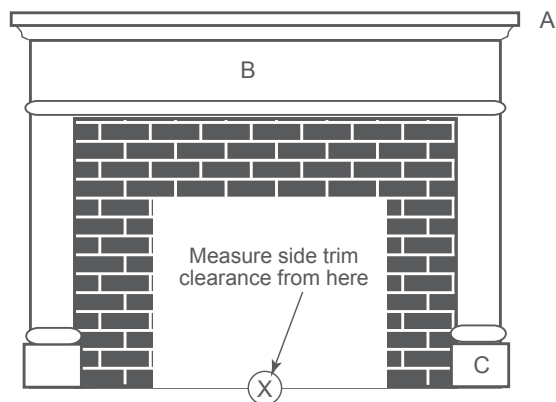


Peak BTU/hr Output¹	58,000	56,000
Heating Capacity²	1,000 - 2,500 sq ft	1,400 - 2,800 sq ft
Maximum Burn Time	10 hrs	12 hrs
Efficiency³	75%	75%
Emissions	3.0 g/hr	3.6 g/hr
Firebox Capacity	2.1 cu ft	3.1 cu ft
Recommended Log Length	18"	20"
Actual Weight	335 lbs	480 lbs
Blower System	150 CFM twin cylindrical blowers included	150 CFM twin cylindrical blowers included

1: BTU/hr output: 1st hour output uses high burn efficiency number. BTU/hr output will vary depending on the type of fuel used and moisture content of the fuel. 2: See your local Vermont Castings authorized dealer for help in determining the product that best suits your heating needs based on climate and home efficiency. 3: Weighted average LHV (Low Heating Value) efficiency.

CLEARANCES

Measure the side clearance (C) from the exact center of your fireplace opening on the hearth (X). Measure the top trim (B) and/or mantel clearances (A) from the finished hearth surface. Measure the front clearance (to furnishings, etc) from the fireplace face.



	MONTPELIER		MERRIMACK
	FLUSH MOUNT	3" EXTENDED MOUNT	FLUSH MOUNT
(A) MANTEL ⁴	47-1/2" (1207 mm)	44-1/2" (1130 mm)	43" (1092 mm)
(B) TOP TRIM (1-1/2")	47-1/2" (1207 mm)	36-1/2" (927 mm)	41" (1041 mm)
(C) SIDE TRIM ⁵	21" (533 mm)	21" (533 mm)	22-3/4" (578 mm)

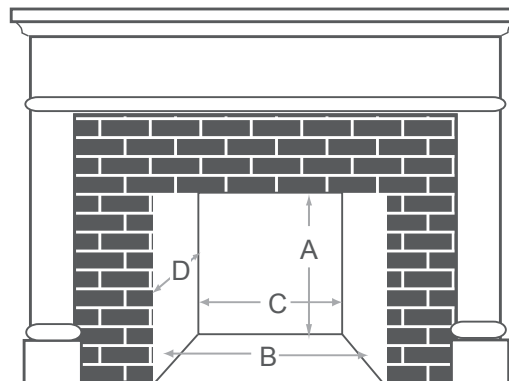
4: For Merrimack, clearance shown is for 12" (305mm) deep mantel. Dimension may be reduced to 41" (1041mm) if the mantel is 8" (203mm) deep or less.

5: For Montpelier, where side trim extends more than 1-1/2" (38mm) from the fireplace facing, the side clearance must be no less than 26-1/2" (673mm); this is also the required side wall clearance. For Merrimack, where side trim extends more than 1-1/2" (38mm) from the fireplace facing, the side clearance must be no less than 31-1/4" (794mm); this is also the required side wall clearance.

MINIMUM FIREPLACE OPENING

	MONTPELIER		MERRIMACK
	FLUSH MOUNT	3" EXTENDED MOUNT	FLUSH MOUNT
(A) REAR OPENING HEIGHT	21-1/2" (546 mm)	21-1/2" (546 mm)	24-1/4" (616 mm)
(B) FRONT OPENING WIDTH	27" (686 mm)	27" (686 mm)	29-3/4" (756 mm)
(C) REAR OPENING WIDTH	22-1/2" (572 mm)	22-1/2" (572 mm)	25" (635 mm)
(D) OPENING DEPTH ⁶	17-1/2" (445 mm)	14-1/2" (368 mm)	18-1/2" (470 mm)

6: The minimum depth must be maintained from the floor of the fireplace to a height of 21-1/2" (540mm).



vermontcastings.com

LIMITED LIFETIME WARRANTY The strongest in the industry, Vermont Castings provides a limited lifetime warranty on the most important aspects: firebox and heat exchanger. For full warranty details go to VermontCastings.com.

IMPORTANT - READ BEFORE YOU INSTALL - Refer to the Owner/Installation Manual for complete clearance requirements and specifications. The images and descriptions in this brochure are provided to assist you in product selection only. Vermont Castings is a registered trademark of Hearth & Home Technologies. Product specifications and pricing subject to change without notice. Fireplace, stove and insert surfaces get extremely HOT and can cause burns if touched. Keep a safe distance away. To learn more visit www.vermontcastings.com/fireplacesafety. ©2016 Hearth & Home Technologies®, All rights reserved