



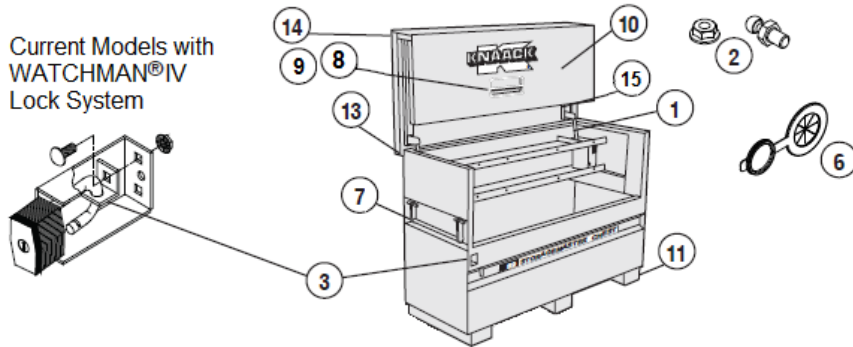
**JOBSITE EQUIPMENT**

# REPLACEMENT PARTS

## STORAGEMASTER® Chests

### Models 69, 79, 89, 90, 91

**FOR REPLACEMENT PARTS GO TO WWW.KNAACK.COM**



**For Customer Service  
call toll free:**

**1-800-456-7865**

ITEM	PART NO.	DESCRIPTION	FITS MODEL
1	977-2PK 952-2PK	Gas Springs (2) Gas Springs (2)	Models 89, 90, 91 in WATCHMAN® II, III, & IV Series Models 69, 79 in WATCHMAN® II, III, & IV Series
2	921-4PK	Ball Studs & Nuts for gas springs	For Gas Springs
3	7286-1PK	WATCHMAN® IV Lock System	Lock tab with bolt for all current models with deadbolt system
4	800-1PK	WATCHMAN® III Lock System	Lock tab with bolt for models made 1989-2000
5	955	WATCHMAN® II Lock System	Lock tab with bolt for models made 1980-1989
6	70030-1PK	POWER PASS™ Grommet	For WATCHMAN® IV Series Chests starting fall 2007
7	7129	Pipe Handles (2) NOTE: Welding Required	22-1/2" handle for 69, 79, 89, 90, 91
8	7288	Cover Handle	WATCHMAN® IV STORAGEMASTER® Chests
9	15-0001B	Cover Handle Kit	WATCHMAN® III Series Chests
10	7337 7338 7339 7340 7341	Cover Cover Cover Cover Cover NOTE: Welding Required, hinge included	WATCHMAN® IV Series cover for Model 69 WATCHMAN® IV Series cover for Model 79 WATCHMAN® IV Series cover for Model 89 WATCHMAN® IV Series cover for Model 90 WATCHMAN® IV Series cover for Model 91
11	70146	Non-Skid Strip for Ramp on Model 91	Model 91 (Not Shown)
12	495 505 516 600 695 992	4" Accessory Casters (4) 5" Accessory Casters (4) 6" Accessory Casters (4) 6" Accessory Casters (4) 6" Accessory Casters (4) Caster Mounting Bolt Kit	Load Rating 1600 lbs., 2" wide wheels Load Rating 1240 lbs., 1-1/4" wide wheels Load Rating 2240 lbs., 2" non-marking wheels Load Rating 3280 lbs., 2" wide wheels Load Rating 2600 lbs., 2" wide wheels All STORAGEMASTER® Chests
13	70046 70047 70048 70405 70404-1	Cover Hinge Cover Hinge Cover Hinge Cover Hinge Cover Hinge NOTE: Welding Required	WATCHMAN® IV with 3-point latch for Models 69, 89 WATCHMAN® IV with 3-point latch for Model 79 WATCHMAN® IV with 2-point or 3-point latch Models 90, 91 WATCHMAN® III & IV with 2-point latch for Models 69, 89 WATCHMAN® III & IV with 2-point latch for Model 79
14	70049 70050 70051 70052	Offset Hinge Offset Hinge Offset Hinge Offset Hinge NOTE: Welding Required	WATCHMAN® IV with 3-point latch for Models 69, 89 WATCHMAN® IV with 3-point latch for Model 79 WATCHMAN® IV with 2-point or 3-point latch Models 90, 91 WATCHMAN® III & IV with 2-point latch for Models 90, 91
15	70111	Cover Catch	Models 69, 79, 89, 90, & 91
16	929-3	Paddle Handle Lock & Striker (Not Shown)	For Accessory Shelf Doors Models 479 (fits 79), 489 (fits 89), 491 (fits 90, 91)
17	953-1CN	Aerosol Paint (12 oz.)	Genuine KNAACK® Tan trademarked color



**JOBSITE EQUIPMENT**

# REPLACEMENT PARTS

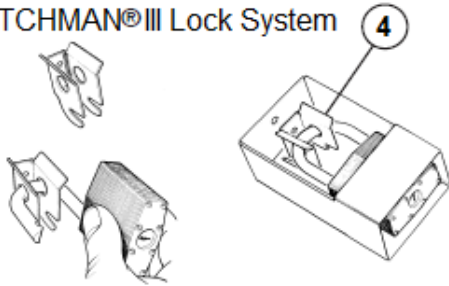
STORAGEMASTER® Chests

Models 69, 79, 89, 90, 91

**FOR REPLACEMENT PARTS GO TO [WWW.KNAACK.COM](http://WWW.KNAACK.COM)**

**For Customer Service call toll free: 1-800-456-7865**

Previous Models with  
WATCHMAN®III Lock System



Previous Models with  
WATCHMAN®II Lock System

