

# Maker

## Price List

Effective 11/1/2023

<b>Order Information</b>	<b>43</b>
<b>Specifications</b>	<b>44</b>
<b>Shared Tables</b>	<b>46</b>
<b>Work Tables</b>	<b>47</b>
<b>Accessories</b>	<b>49</b>
<b>Typicals</b>	<b>53</b>



***LIATfurniture.com***

694 North Main Street · Troutman, NC 28166  
TF 888 440 8205



Use this checklist to be sure you have all of the necessary information to place your order.

**Catalog Number**

*Use our build guides to create your catalog number.*

**Laminate Selection** *\*\*Laminate tops only\*\**

*Standard Wilsonart or Formica. Please specify manufacturer, color, finish and model number.*

**PVC Edge Band** *\*\*PVC banded tops only\*\**

*See 8 for a complete list of standard LIAT PVC Edge Band options.*

**Metal Color Selection**

*See 10 for a complete list of standard LIAT Metal Color options. (NOTE: Silver is the standard Maker metal color; other colors may be an upcharge with an extended lead time. Contact project management for more information.)*

**Accessories**

### ***Environmental Humidity Statement***

*Wood acclimates to its environment and will expand and contract with changes in the environment. It is the customers responsibility to ensure that the environment where any LIAT product is kept remains at a 45% - 55% humidity level. Any damage to the furniture resulting from improper humidity levels will void the warranty.*

## Glued-Up Solid Tops

Glued-Up solid tops are constructed of 1-1/4" thick solid maple with grade A 1 face and 4 edges with sound backs, glued up with 2-1/2" to 4" wide continuous staves with the grain running the length of the table. All edges are eased. Tables 60" in length and longer will receive a 14 gauge channeled stress bar for added support.

## Laminate with PVC Edge Tops

Table tops are constructed of 1-1/8" thick particle board core with a high pressure laminate on top and a backer sheet on the bottom. The edges are externally banded on all sides with a flush 3mm PVC band. Tables 60" in length and longer will receive a 14 gauge channeled stress bar for added support.

## Legs

The legs are constructed of 2" square 14 gauge steel welded to a 1/4" thick steel mounting plate and support gusset. The leg plate attaches to metal inserts in the top with (6) 5/16-18 x 1" hex head bolts and lock washers. The legs are powder coated.

## Frames

The frames are constructed of 2" square 14 gauge steel welded to 1/4" thick steel mounting plates and two 2" square 4 gauge horizontal cross bars. Each leg plate attaches to metal inserts in the top with (6) 5/16-18 x 1" hex head bolts and lock washers. The frames are powder coated.

## Stretchers

The stretchers are constructed of 2" square 14 gauge steel welded to 1/4" thick steel mounting plates. The mounting plates attach to the end frames with (8) 1/4-20 x 5/8" PPH machine screws and lock washers. The stretchers are powder coated.

## Shelves / Modesty Panels

The shelves & modesty panels are constructed of bent 14 gauge sheet steel. The mounting plates attach to the end frames with (8) 1/4-20 x 5/8" PPH machine screws and lock washers. The shelves and modesty panels are powder coated.

## Glides

Each leg includes a 1-1/4" diameter rubber cushioned adjustable leveling glide with a 15/16" stem.

## Casters

Mobile legs include a 3" diameter x 1-1/4" thick polyolefin caster with a 1/2-13 x 1-1/2" stem. Each caster has a dynamic load capacity of 300+ pounds.

## Storage Cabinet

The storage cabinet is constructed of two end frames connected to a lower stretcher for support. Two end panels constructed of 1-1/4" thick particle board core with grade "A" veneer faces are insert in the end frames. Two back panels constructed of 1/4" thick plywood with select rotary cut face veneer and an intermediate panel constructed of 1" thick veneer core with grade "A" veneer faces are captured between two shelves constructed of 1" thick veneer core with grade "A" veneer faces. The end and intermediate panels include shelf pin holes spaced at 2" on center for the addition of an adjustable shelf.A

## Adjustable Shelves

The adjustable shelves are constructed of 1" thick veneer core with grade "A" plain sliced veneer faces with a 1/4" eased external band on the front edge. The underside of the shelf is routed to accept shelf pins.

## Doors

The door fronts are constructed of 3/4" thick veneer core with grade "A" plain sliced veneer faces with a vertical grain direction. The doors include hinges with 94 degree opening angles. Locks can be added to the doors to include a lock on the right hand door and a rooster catch on the left by adding a "-LK" suffix to the part number. Locks come standard being keyed randomly; it must be specified with the order if the locks are to be keyed alike.

## Drawers

The drawer fronts are constructed of 3/4" thick veneer core with grade "A" plain sliced veneer faces with a vertical grain direction. The drawer boxes are constructed of 12mm birch plywood front, sides and back that are routed to accept a 1/4" thick bottom panel. The drawer box utilizes ball bearing side-mount drawer slides with a 100+ pound rating. Locks can be added to the 24 and 34 sized drawers to include a lock on the top right of the drawer by adding a "-LK" suffix to the part number. Each drawer locks separately, and locks come standard being keyed randomly; it must be specified with the order if the locks are to be keyed alike.

## Electrical / Power

All tables include an optional electrical/power cutout upgrade for use with a 4-window Axil Z power unit.

## J-Wire Manager

All tables with a power upgrade are to come standard with one J-wire manager made of extruded plastic to hold wires. The J-wire manager is shipped loose and comes with double sided tape to assist with placement in the field. All J-wire managers must be installed with the included screws.

Part Number  
Configurator

**MK** – **ST** – **1** **2** – **3** – **4**

**Required Selections**

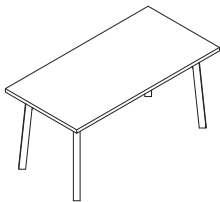
Component	Code	Description	42" Long	48" Long	60" Long	72" Long
<b>1</b> Width	<b>30</b>	30" Wide Top	\$1,879	\$1,901	\$2,174	\$2,361
	<b>36</b>	36" Wide Top	\$1,950	\$2,079	\$2,423	\$2,686
	<b>42</b>	42" Wide Top	\$2,101	\$2,239	\$2,645	\$2,953
<b>2</b> Length	<b>42</b>	42" Long Top	\$0	-	-	-
	<b>48</b>	48" Long Top	-	\$0	-	-
	<b>60</b>	60" Long Top	-	-	\$0	-
	<b>72</b>	72" Long Top	-	-	-	\$0
<b>3</b> Height	<b>29</b>	29" High Table	\$0	\$0	\$0	\$0
	<b>36</b>	36" High Table	\$0	\$0	\$0	\$0
<b>4</b> Surface	<b>GS</b>	Glued-Up Solid Top	\$0	\$0	\$0	\$0
	<b>MM</b>	Laminate With PVC Edge	\$0	\$0	\$0	\$0

**Available Upgrades**

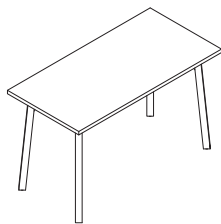
Component	Code	Description	42" Long	48" Long	60" Long	72" Long
<b>5</b> Mobile Legs	<b>-CA</b>	Casters	\$164	\$164	\$164	\$164
<b>6</b> Power	<b>-AZC</b>	Axil Z Cutout, Center	\$81	\$81	\$81	\$81

-Power unit ordered separately

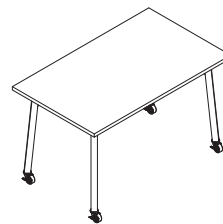
**Quick Looks**



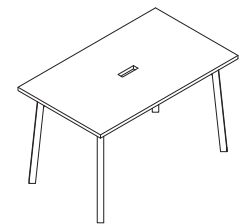
MK-ST-3060-29-GS



MK-ST-3060-36-GS

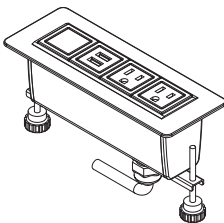


MK-ST-3660-36-GS-CA

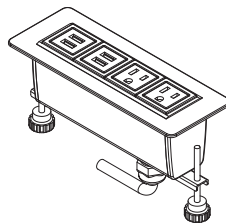


MK-ST-3660-36-GS-AZC

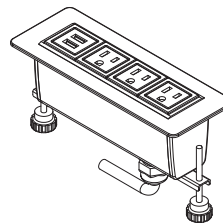
**Popular Accessories**



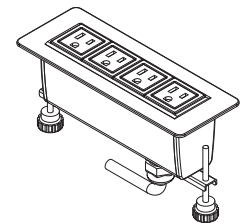
LA-AXZ4-211-C120



LA-AXZ4-220-C120



LA-AXZ4-310-C120



LA-AXZ4-400-C120

Part Number  
Configurator

**MK** – **WT** – **1** **2** **3** – **4** – **5**

### Required Selections

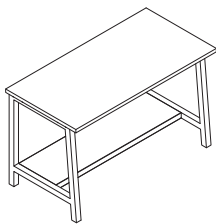
Component	Code	Description	60" Long	72" Long
<b>1</b> Width	<b>30</b>	30" Wide Top	\$2,671	\$2,918
	<b>36</b>	36" Wide Top	\$3,008	\$3,331
<b>2</b> Length	<b>60</b>	60" Long Top	\$0	-
	<b>72</b>	72" Long Top	-	\$0
<b>3</b> Table Type	<b>LS</b>	Lower Shelf	\$0	\$0
<b>4</b> Height	<b>36</b>	36" High Table	\$0	\$0
<b>5</b> Surface	<b>GS</b>	Glued-Up Solid Top	\$0	\$0
	<b>MM</b>	Laminate With PVC Edge	\$0	\$0

### Available Upgrades

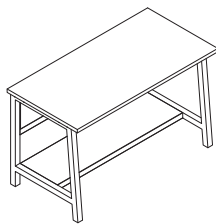
Component	Code	Description	60" Long	72" Long
<b>6</b> Modesty Panel	<b>-MP</b>	Modesty Panel	\$425	\$485
<b>7</b> Mobile Legs	<b>-CA</b>	Casters	\$164	\$164
<b>8</b> Power	<b>-AZC</b>	Axil Z Cutout, Center	\$81	\$81
	<b>-AZL</b>	Axil Z Cutout, Left	\$81	\$81
	<b>-AZR</b>	Axil Z Cutout, Right	\$81	\$81

-Power unit ordered separately

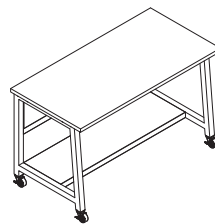
### Quick Looks



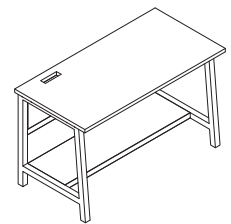
MK-WT-3060LS-36-GS



MK-WT-3060LS-36-GS-MP

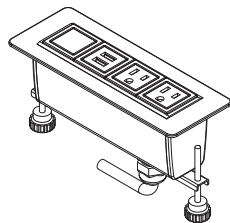


MK-WT-3060LS-36-GS-MP-CA

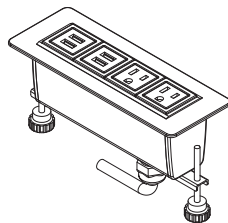


MK-WT-3060LS-36-GS-MP-AZL

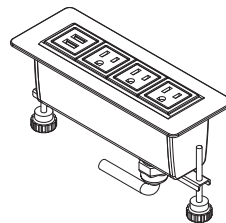
### Popular Accessories



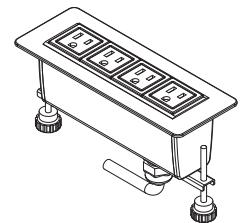
LA-AXZ4-211-C120



LA-AXZ4-220-C120



LA-AXZ4-310-C120



LA-AXZ4-400-C120

Part Number  
Configurator

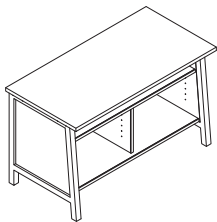
**MK** - **WT** - **1** **2** **3** - **4** - **5**

Required Selections				
Component	Code	Description	60" Long	72" Long
<b>1</b> Width	30	30" Wide Top	\$4,733	\$5,151
	36	36" Wide Top	\$5,433	\$5,972
<b>2</b> Length	60	60" Long Top	\$0	-
	72	72" Long Top	-	\$0
<b>3</b> Table Type	SC	Storage Cabinet	\$0	\$0
<b>4</b> Height	36	36" High Table	\$0	\$0
<b>5</b> Surface	GS	Glued-Up Solid Top	\$0	\$0
	MM	Laminate With PVC Edge	\$0	\$0

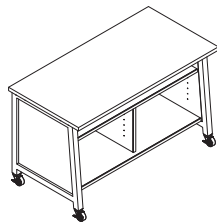
Available Upgrades				
Component	Code	Description	60" Long	72" Long
<b>6</b> Mobile Legs	-CA	Casters	\$164	\$164
<b>7</b> Power	-AZC	Axil Z Cutout, Center	\$81	\$81
	-AZL	Axil Z Cutout, Left	\$81	\$81
	-AZR	Axil Z Cutout, Right	\$81	\$81

-Power unit ordered separately

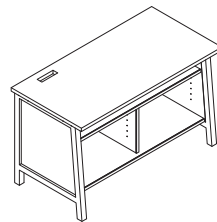
**Quick Looks**



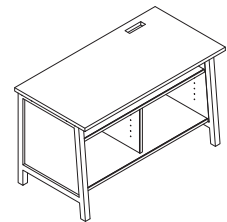
MK-WT-3060SC-36-GS



MK-WT-3060SC-36-GS-CA

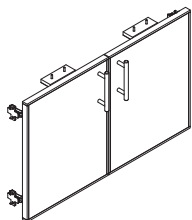


MK-WT-3060SC-36-GS-AZL

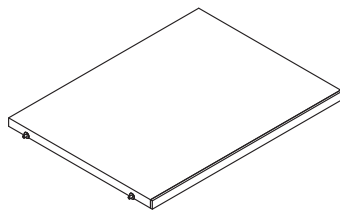


MK-WT-3060SC-36-GS-AZR

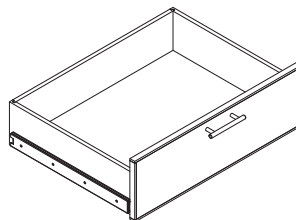
**Popular Accessories**



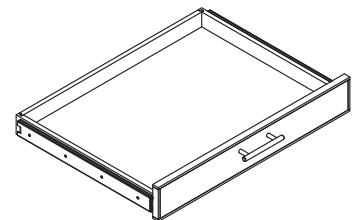
Doors



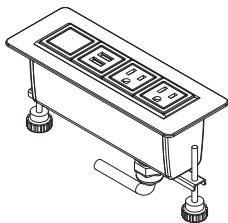
Shelves



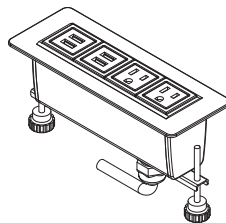
Drawers - 2/4



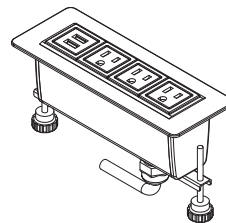
Drawers - 1/4



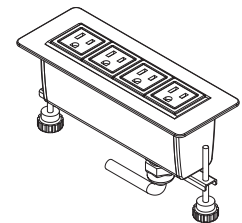
LA-AXZ4-211-C120



LA-AXZ4-220-C120



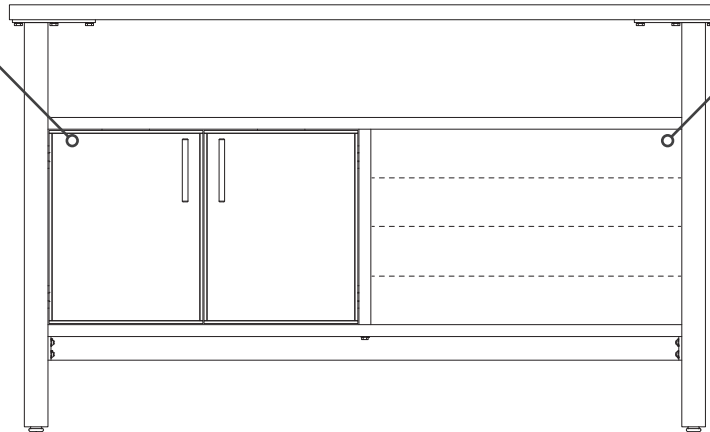
LA-AXZ4-310-C120



LA-AXZ4-400-C120

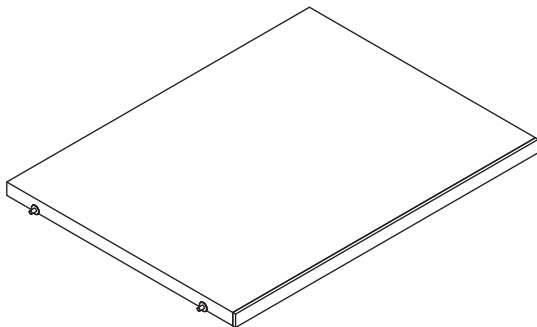
**Doors**

for each storage space you may add in one set of doors. We recommended combining these with some adjustable shelves to maximize the organization of your table.

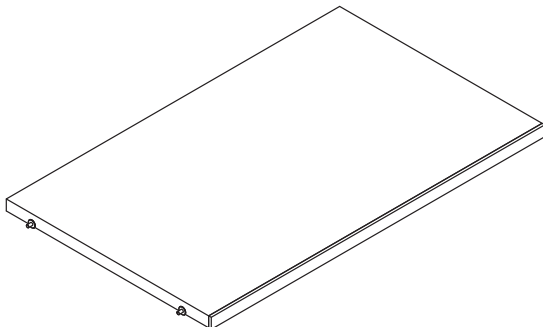


**Drawers**

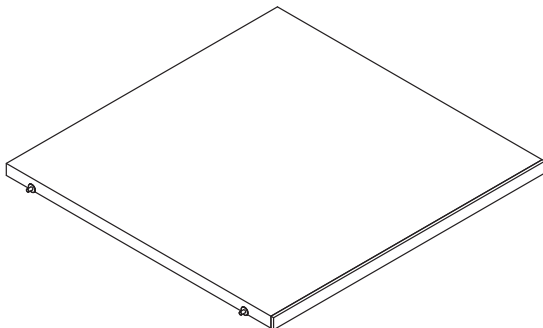
For drawers, the storage area is divided into four sections. You can choose drawers that take up 1/4, 2/4, or 3/4 sections. See our popular items for examples on ways to combine these drawers.



**Part Number** MK-WT-3060SC-AS  
**Table Size** 30" Wide x 60" Long Storage Cabinet Work Tables  
**List Price** \$126

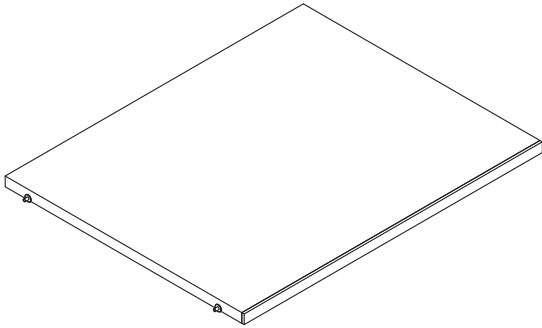


**Part Number** MK-WT-3072SC-AS  
**Table Size** 30" Wide x 72" Long Storage Cabinet Work Tables  
**List Price** \$151

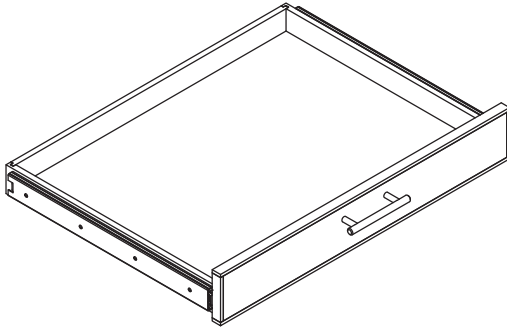


**Part Number** MK-WT-3660SC-AS  
**Table Size** 36" Wide x 60" Long Storage Cabinet Work Tables  
**List Price** \$158

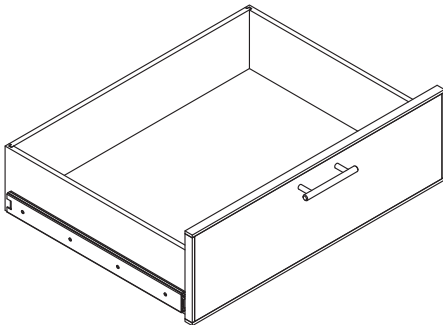




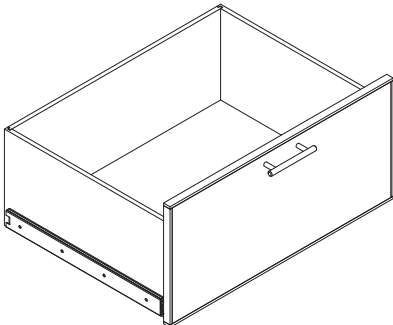
**Part Number** MK-WT-3672SC-AS  
**Table Size** 36" Wide x 72" Long Storage Cabinet Work Tables  
**List Price** \$189



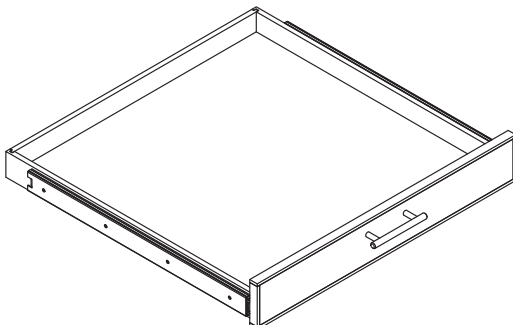
**Part Number** MK-WT-3060SC-36-14DW  
**Proportions** 1/4  
**Table Size** 30" Wide x 60" Long Storage Cabinet Work Tables  
**Drawer Footprint** 21-1/4" D x 26-1/4" W x 4" H  
**Inner Drawer** 18-1/8" D x 24-3/8" W  
**List Price** \$398



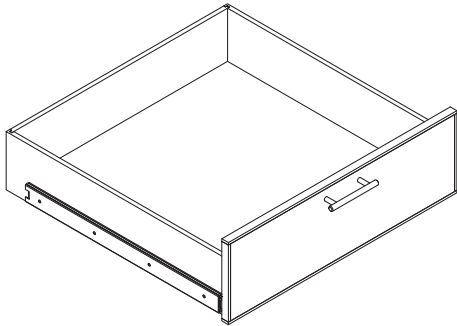
**Part Number** MK-WT-3060SC-36-24DW  
**Proportions** 2/4  
**Table Size** 30" Wide x 60" Long Storage Cabinet Work Tables  
**Drawer Footprint** 21-1/4" D x 26-1/4" W x 8-1/8" H  
**Inner Drawer** 18-1/8" D x 24-3/8" W  
**List Price** \$481 *add -LK for drawer lock (+\$80)*



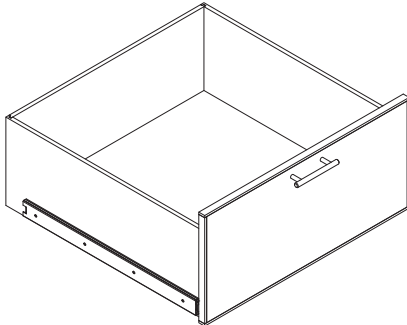
**Part Number** MK-WT-3060SC-36-34DW  
**Proportions** 3/4  
**Table Size** 30" Wide x 60" Long Storage Cabinet Work Tables  
**Drawer Footprint** 21-1/4" D x 26-1/4" W x 12-3/16" H  
**Inner Drawer** 18-1/8" D x 24-3/8" W  
**List Price** \$566 *add -LK for drawer lock (+\$80)*



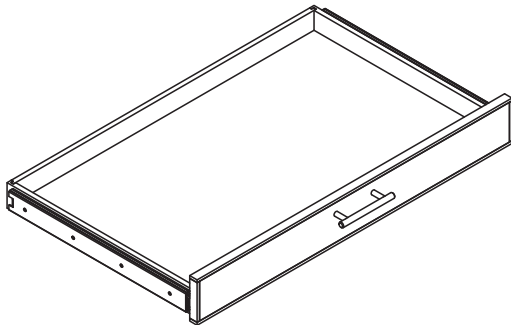
**Part Number** MK-WT-3660SC-36-14DW  
**Proportions** 1/4  
**Table Size** 36" Wide x 60" Long Storage Cabinet Work Tables  
**Drawer Footprint** 27-1/4" D x 26-1/4" W x 4" H  
**Inner Drawer** 24-1/8" D x 24-3/8" W  
**List Price** \$406



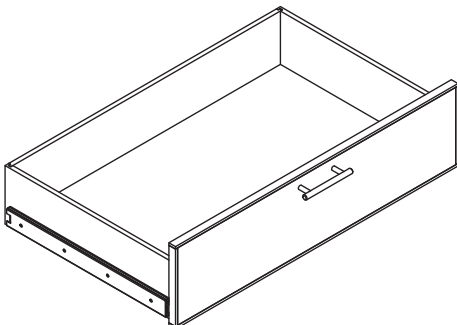
**Part Number** MK-WT-3660SC-36-24DW  
**Proportions** 2/4  
**Table Size** 36" Wide x 60" Long Storage Cabinet Work Tables  
**Drawer Footprint** 27-1/4" D x 26-1/4" W x 8-1/8" H  
**Inner Drawer** 24-1/8" D x 24-3/8" W  
**List Price** \$491 *add -LK for drawer lock (+\$80)*



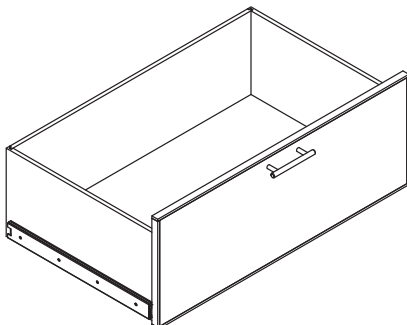
**Part Number** MK-WT-3660SC-36-34DW  
**Proportions** 3/4  
**Table Size** 36" Wide x 60" Long Storage Cabinet Work Tables  
**Drawer Footprint** 27-1/4" D x 26-1/4" W x 12-3/16" H  
**Inner Drawer** 24-1/8" D x 24-3/8" W  
**List Price** \$584 *add -LK for drawer lock (+\$80)*



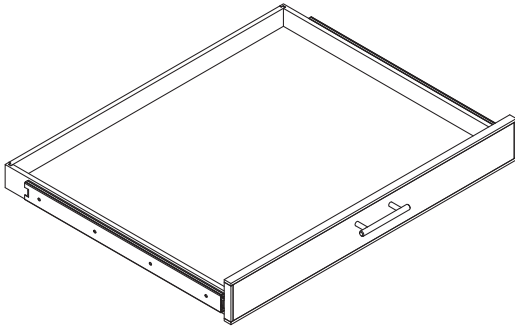
**Part Number** MK-WT-3072SC-36-14DW  
**Proportions** 1/4  
**Table Size** 30" Wide x 72" Long Storage Cabinet Work Tables  
**Drawer Footprint** 21-1/4" D x 32-1/4" W x 4" H  
**Inner Drawer** 18-1/8" D x 30-3/8" W  
**List Price** \$416



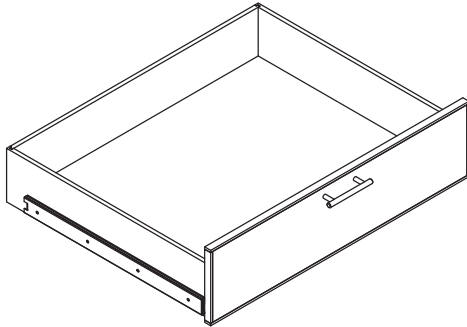
**Part Number** MK-WT-3072SC-36-24DW  
**Proportions** 2/4  
**Table Size** 30" Wide x 72" Long Storage Cabinet Work Tables  
**Drawer Footprint** 21-1/4" D x 32-1/4" W x 8-1/8" H  
**Inner Drawer** 18-1/8" D x 30-3/8" W  
**List Price** \$509 *add -LK for drawer lock (+\$80)*



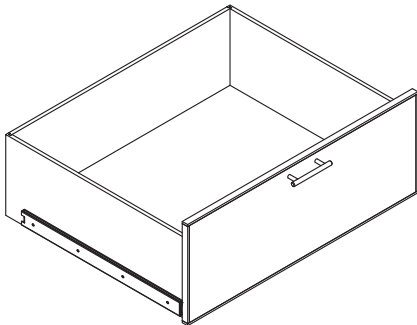
**Part Number** MK-WT-3072SC-36-34DW  
**Proportions** 3/4  
**Table Size** 30" Wide x 72" Long Storage Cabinet Work Tables  
**Drawer Footprint** 21-1/4" D x 32-1/4" W x 12-3/16" H  
**Inner Drawer** 18-1/8" D x 30-3/8" W  
**List Price** \$625 *add -LK for drawer lock (+\$80)*



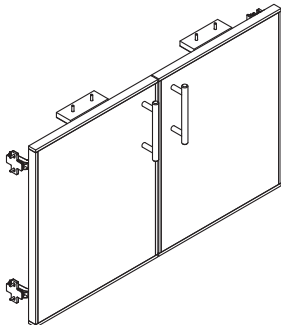
**Part Number** MK-WT-3672SC-36-14DW  
**Proportions** 1/4  
**Table Size** 36" Wide x 72" Long Storage Cabinet Work Tables  
**Drawer Footprint** 27-1/4" D x 32-1/4" W x 4" H  
**Inner Drawer** 24-1/8" D x 30-3/8" W  
**List Price** \$424



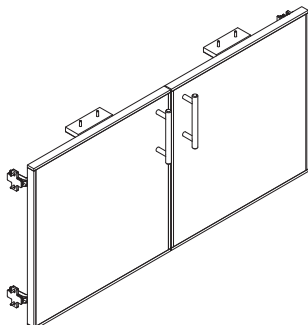
**Part Number** MK-WT-3672SC-36-24DW  
**Proportions** 2/4  
**Table Size** 36" Wide x 72" Long Storage Cabinet Work Tables  
**Drawer Footprint** 27-1/4" D x 32-1/4" W x 8-1/8" H  
**Inner Drawer** 24-1/8" D x 30-3/8" W  
**List Price** \$519 *add -LK for drawer lock (+\$80)*



**Part Number** MK-WT-3672SC-36-34DW  
**Proportions** 3/4  
**Table Size** 36" Wide x 72" Long Storage Cabinet Work Tables  
**Drawer Footprint** 27-1/4" D x 32-1/4" W x 12-3/16" H  
**Inner Drawer** 24-1/8" D x 30-3/8" W  
**List Price** \$630 *add -LK for drawer lock (+\$80)*

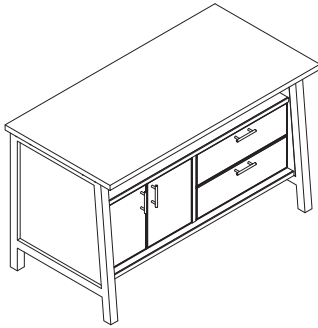


**Part Number** MK-WT-6036SC-DR  
**Table Size** 60" Long x 36" High Storage Cabinet Work Tables  
**List Price** \$376  
*add -LK for drawer lock (+\$80)*



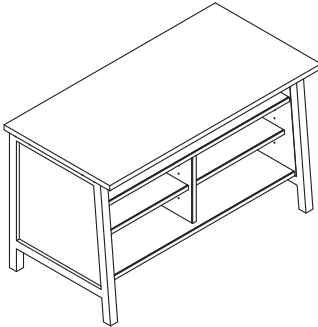
**Part Number** MK-WT-7236SC-DR  
**Table Size** 72" Long x 36" High Storage Cabinet Work Tables  
**List Price** \$397  
*add -LK for drawer lock (+\$80)*

**MK-001**



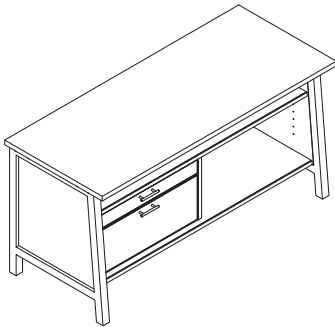
Model Number	Qty	List	Extension
MK-WT-3060SC-36-GS	1	\$4,733	\$4,733
MK-WT-6036SC-DR	1	\$356	\$356
MK-WT-3060SC-36-24DW	2	\$461	\$922
<b>Total List</b>			<b>\$6,011</b>

**MK-002**



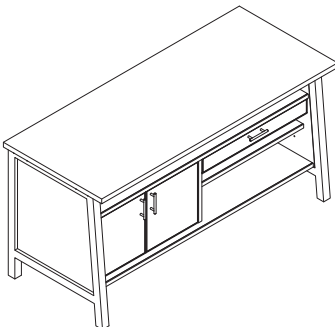
Model Number	Qty	List	Extension
MK-WT-3060SC-36-GS	1	\$4,733	\$4,733
MK-WT-3060SC-AS	2	\$106	\$212
<b>Total List</b>			<b>\$4,945</b>

**MK-003**



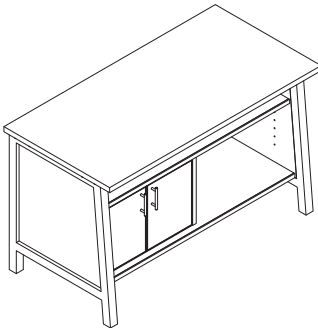
Model Number	Qty	List	Extension
MK-WT-3072SC-36-GS	1	\$5,151	\$5,151
MK-WT-3072SC-36-14DW	1	\$396	\$396
MK-WT-3060SC-36-34DW	1	\$546	\$546
<b>Total List</b>			<b>\$6,093</b>

**MK-004**



Model Number	Qty	List	Extension
MK-WT-3072SC-36-GS	1	\$5,151	\$5,151
MK-WT-7236SC-DR	1	\$377	\$377
MK-WT-3072SC-36-14DW	1	\$396	\$396
MK-WT-3072SC-AS	1	\$131	\$131
<b>Total List</b>			<b>\$6,055</b>

**MK-005**



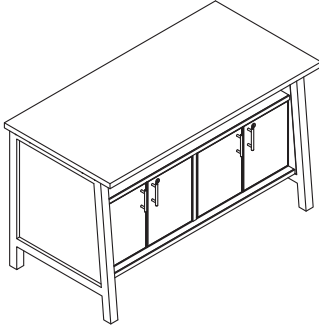
Model Number	Qty	List	Extension
MK-WT-3060SC-36-GS	1	\$4,733	\$4,733
MK-WT-6036SC-DR	1	\$356	\$356
<b>Total List</b>			<b>\$5,089</b>

**MK-006**



Model Number	Qty	List	Extension
MK-WT-3060SC-36-GS	1	\$4,733	\$4,733
MK-WT-3060SC-36-14DW	4	\$378	\$1,512
MK-WT-3060SC-36-24DW	2	\$461	\$922
<b>Total List</b>			<b>\$7,167</b>

**MK-007**



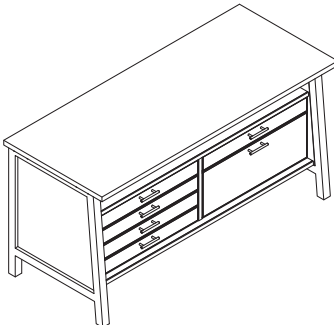
Model Number	Qty	List	Extension
MK-WT-3060SC-36-GS	1	\$4,733	\$4,733
MK-WT-6036SC-DR	2	\$356	\$712
<b>Total List</b>			<b>\$5,445</b>

**MK-008**



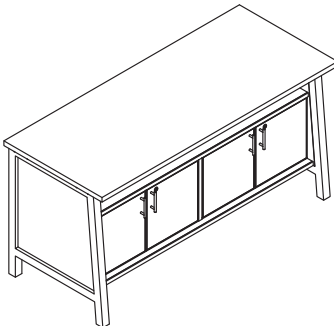
Model Number	Qty	List	Extension
MK-WT-3072SC-36-GS	1	\$5,151	\$5,151
MK-WT-3072SC-36-14DW	4	\$396	\$1,584
MK-WT-3072SC-36-24DW	2	\$489	\$978
<b>Total List</b>			<b>\$7,713</b>

**MK-009**



Model Number	Qty	List	Extension
MK-WT-3072SC-36-GS	1	\$5,151	\$5,151
MK-WT-3072SC-36-14DW	5	\$396	\$1,980
MK-WT-3072SC-36-34DW	1	\$546	\$546
<b>Total List</b>			<b>\$7,677</b>

**MK-010**



Model Number	Qty	List	Extension
MK-WT-3072SC-36-GS	1	\$5,151	\$5,151
MK-WT-7236SC-DR	2	\$377	\$754
<b>Total List</b>			<b>\$5,905</b>