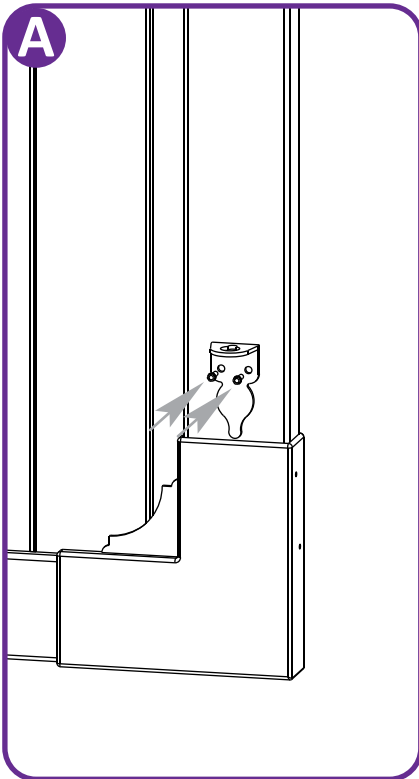


Drop Rod Gate Detailed Installation Instructions



STEP 1

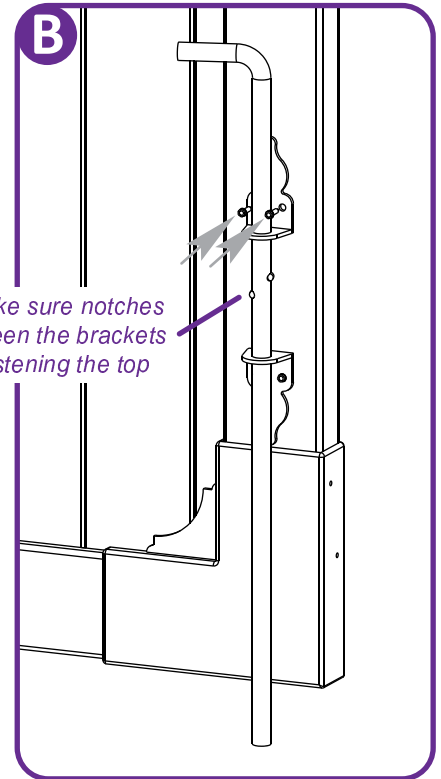
Install Drop Rod



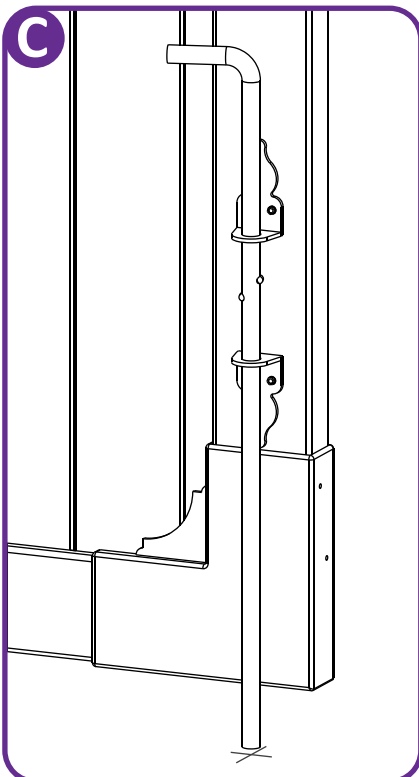
A - Center and level the bottom bracket as shown. Fasten with the two provided screws



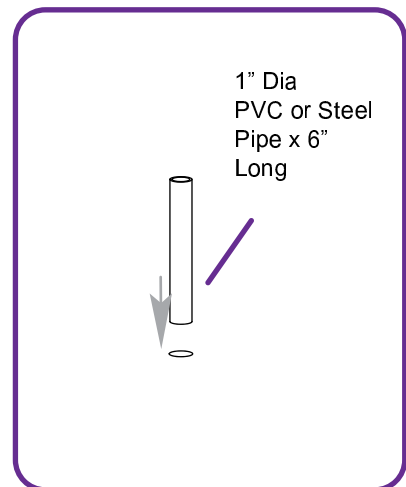
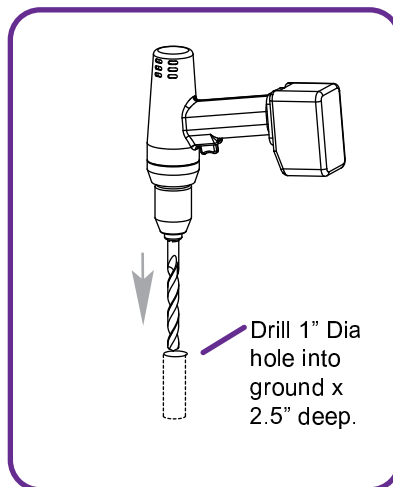
Note: Make sure notches are between the brackets before fastening the top bracket



B - Insert drop rod into the top bracket and insert into bottom bracket as shown. Fasten bracket with screws provided. Make sure the notches on the rod are between the two brackets.



C - Mark the location of the drop rod on the ground surface and move the gate out of the way. If you have a concrete surface, drill a 1" diameter hole 2.5" deep. If you have a dirt surface, create a 1" diameter hole 6" deep and insert a 1" diameter PVC or steel pipe to prevent debris from filling the hole.



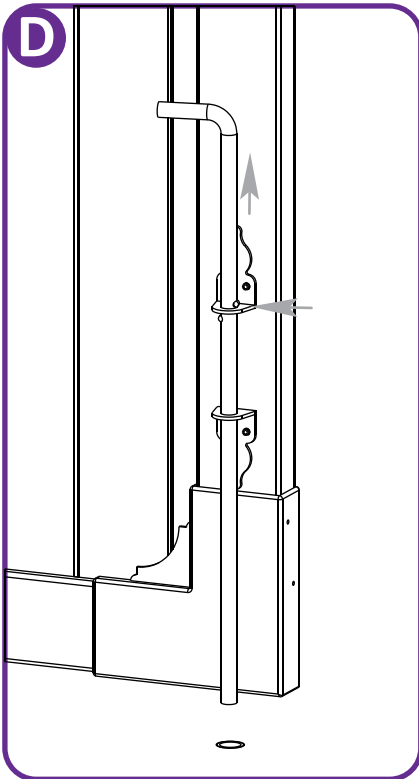
Drop Rod Gate Detailed Installation Instructions

WamBam

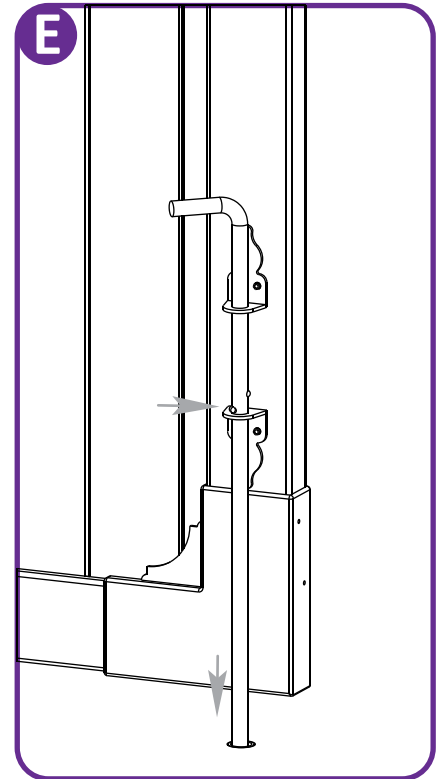
The only fence that's fun to install.

STEP 2

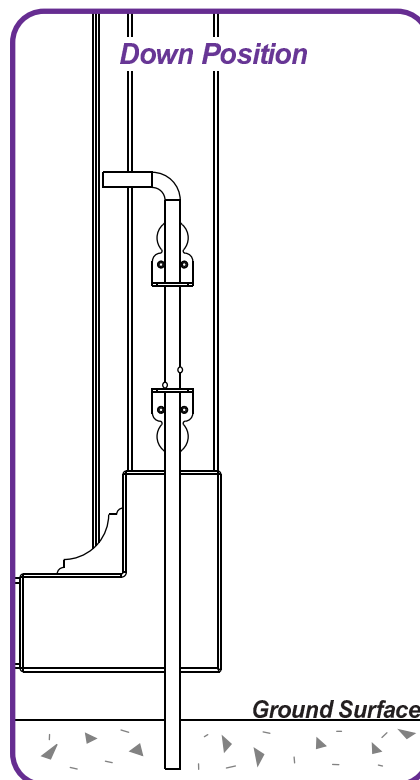
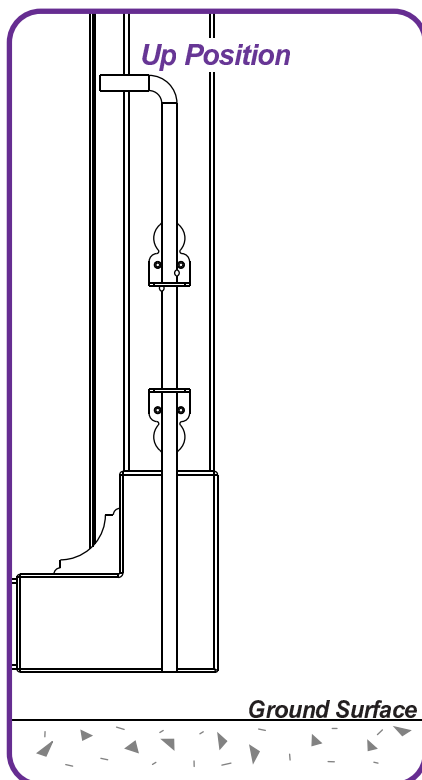
Operations



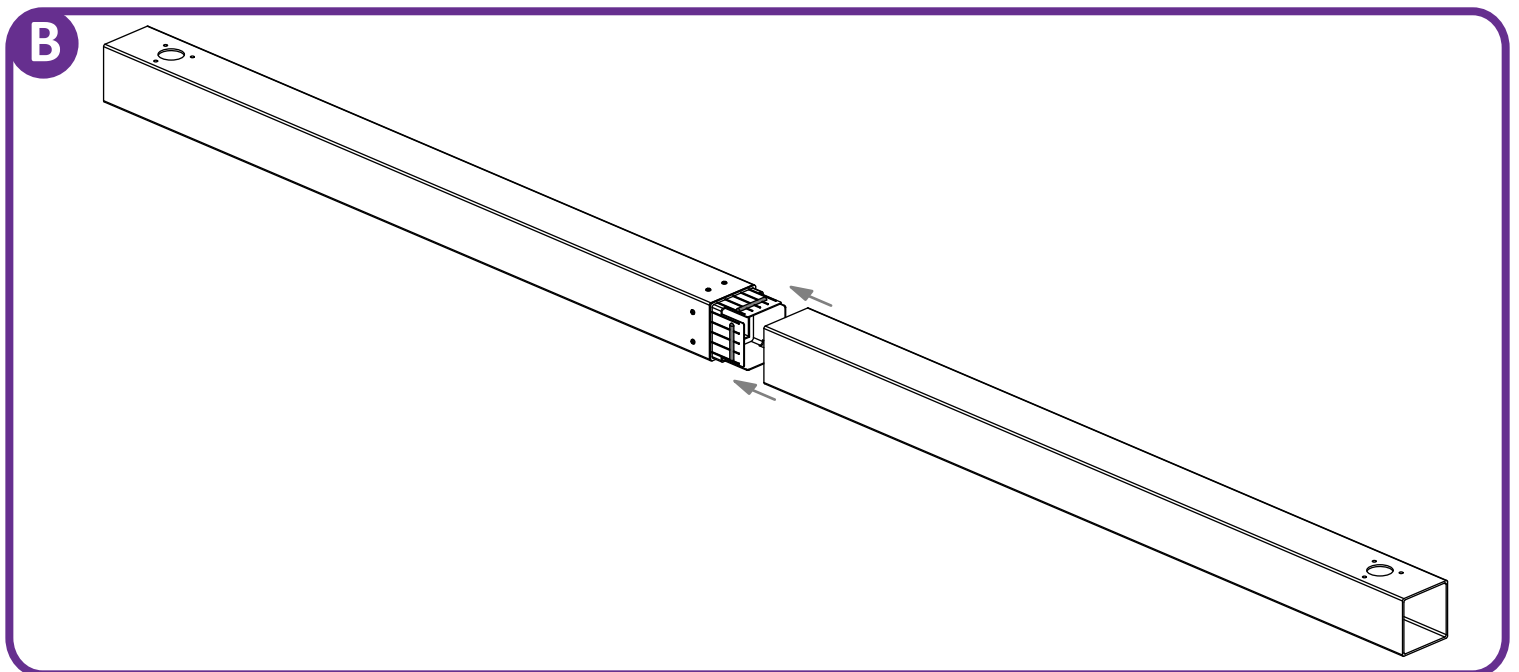
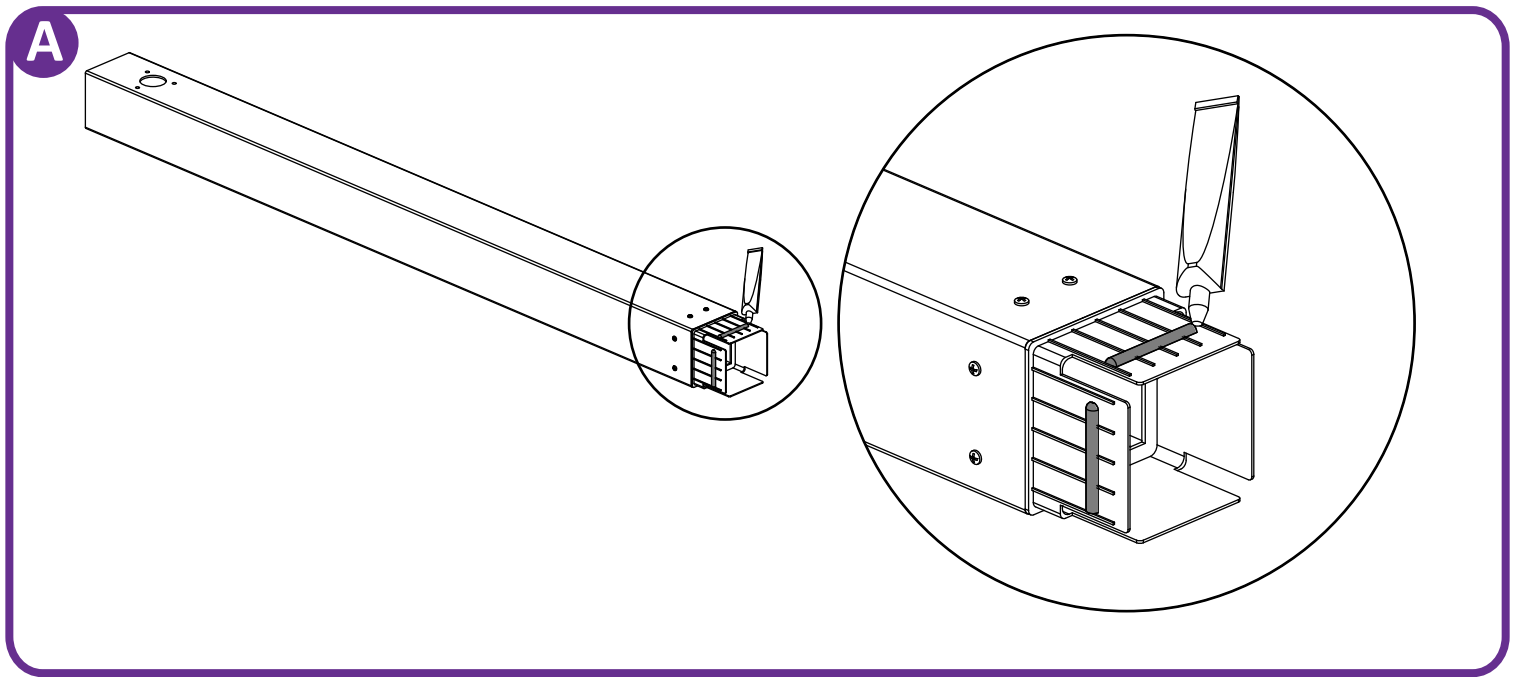
D - To lock the gate rod in the up position, raise the gate rod while aligning the notch on the rod through the notch on the bracket. Rest the notch on the top of the bracket and turn 90° to lock as shown to the left.



E - To drop the rod in the down position, turn the gate rod 90° and align the notch on the rod through the notch on the bracket. The notch on the rod will rest on the bottom bracket as shown to the right.



Vinyl Double Gate Jig Detailed Installation Instructions



Vinyl Double Gate Jig Detailed Installation Instructions

