

# WamBam

Fun Name. Serious Fence.

## DOUBLE GATE KIT WITH DROP ROD

## ASSEMBLY INSTRUCTIONS

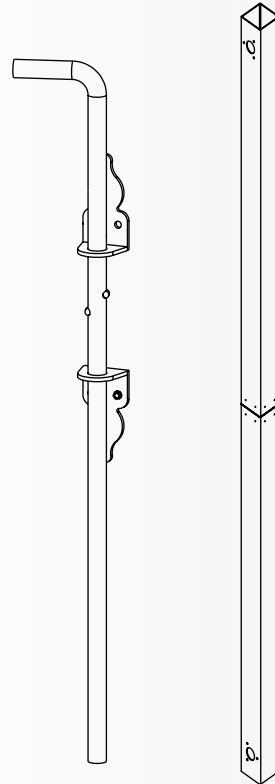
MS29998

**60 MIN**

*Approximate assembly time*

*Want to see a video on how to  
assemble this product?*

**Scan the QR code**



## GENERAL INFORMATION



### IMPORTANT

- ⊕ Check the inside of the larger pieces in your box for other materials packed inside.
- ⊕ When assembling components, place on a non-abrasive surface (i.e. shipping box) to avoid scratching.
- ⊕ We recommend an area approximately 5'x 8' for unobstructed assembling.
- ⊕ You should not need to use excessive force when assembling components.

## MISSING OR DAMAGED PARTS?

### VISIT OUR WEBSITE FIRST, SO WE CAN HELP YOU RIGHT AWAY!

Although great care has been taken to ensure proper packaging and handling of this product, occasionally problems occur. If you discover any missing, damaged, or defective parts, please visit our website to order replacement parts. If you experience any further trouble with your product, please contact our customer care department.

🌐 [parts.nychbrands.com](http://parts.nychbrands.com)

✉ [hmmm@wambamfence.com](mailto:hmmm@wambamfence.com)

☎ **704-892-5222 / 877-778-5733**

*Customer service agents are available to take calls weekdays from 9am-5pm EST. If you call outside of business hours, please leave a voicemail.*

To help you quickly and accurately, please have reference item number **MS29998** and the specific part name which can be found on page 4. It is helpful if you can provide the batch lot which is a stamped number inside the box.

## NEED ASSEMBLY HELP?

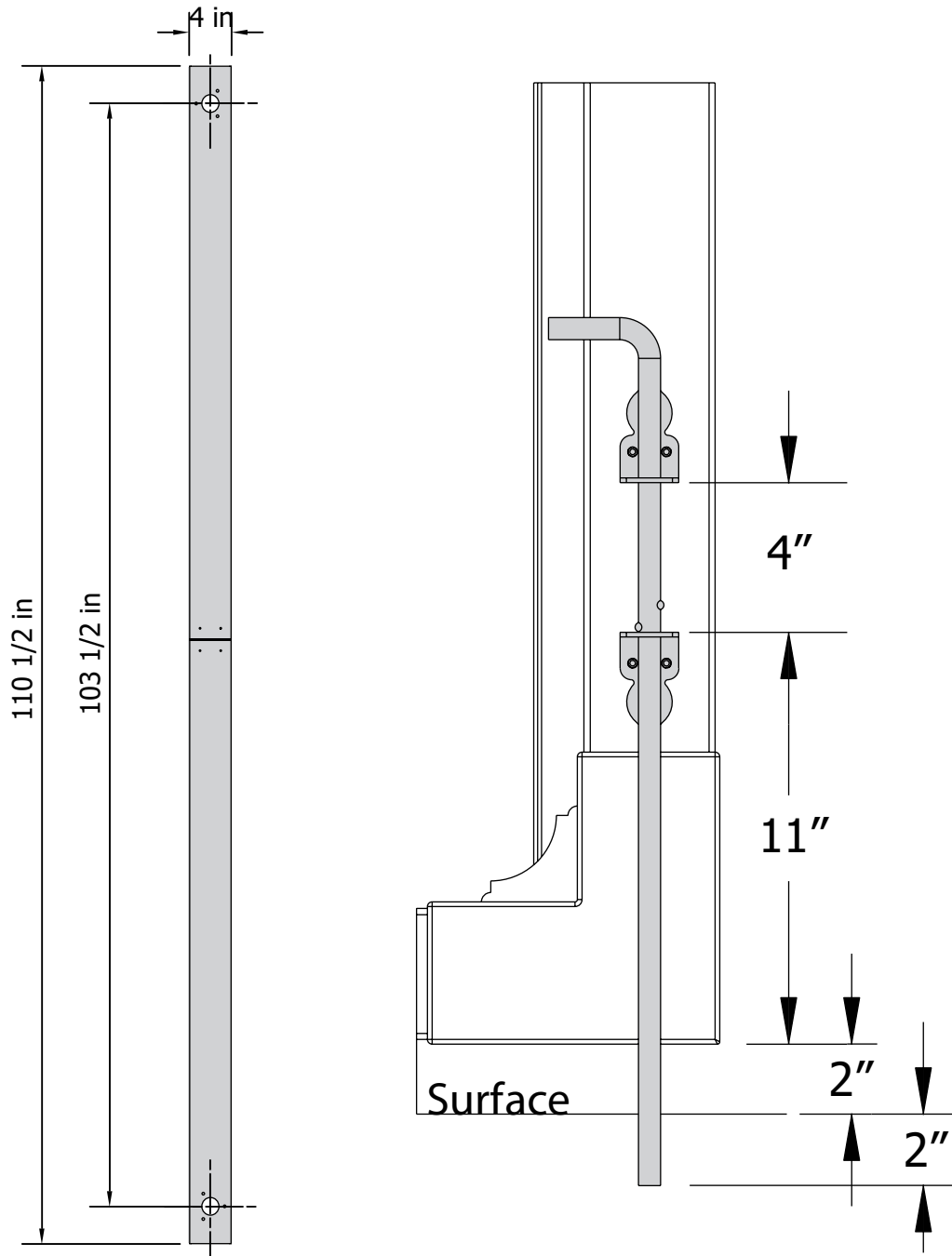
Please give us a call at **704-892-5222 / 877-778-5733**.

If you are having problems with the assembly or installation of this product, we are happy to assist you with the process.

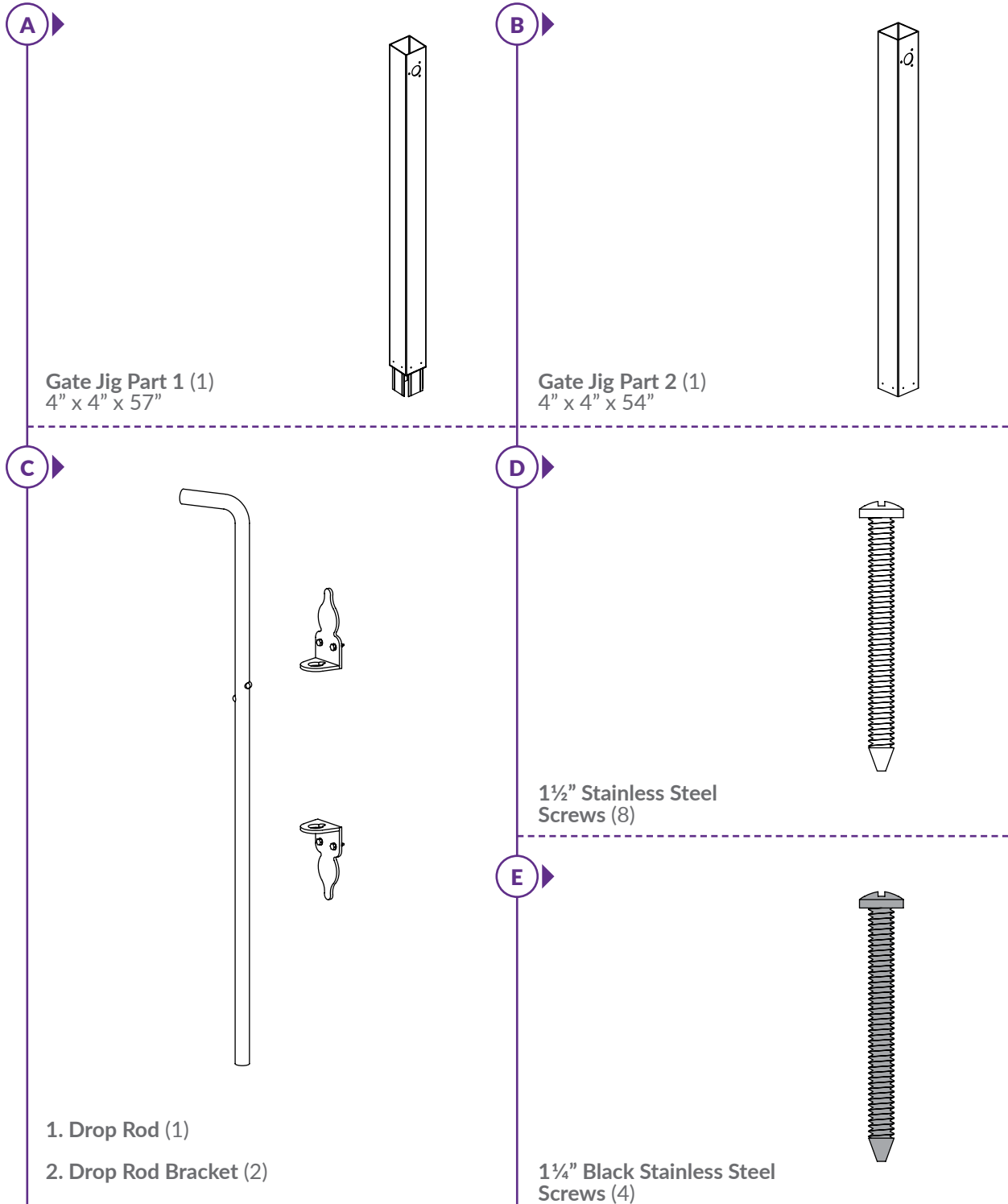
## NEED TO RETURN?

If for some reason you need to return this product, please allow us to help resolve your issues first. If you still decide to return the product, **you will need to initiate the return from the company you originally purchased from.**

DETAILED PRODUCT DIMENSIONS AND SPECIFICATIONS



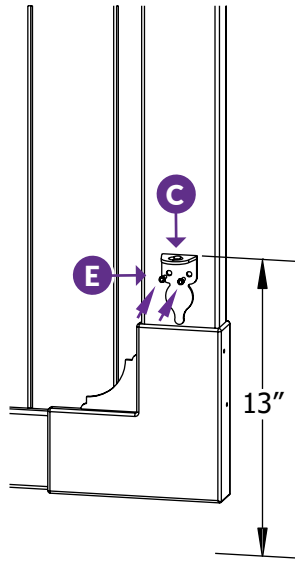
# STEP 1: LAY OUT MATERIALS



# STEP 2: INSTALL DROP ROD

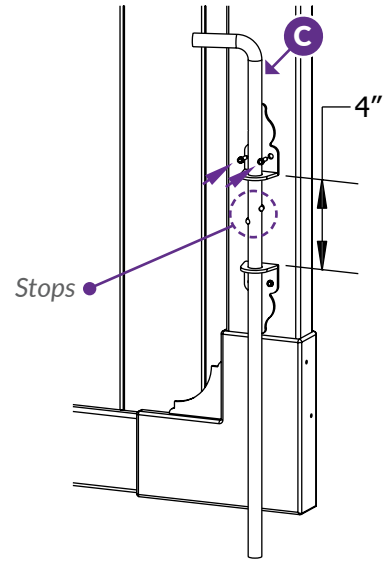
## STEP 2.1

► Center and level (1) Drop Rod Bracket (C) as shown. The top of the bracket should be 13" from the ground or 11" from the bottom of the gate as shown. Fasten the bracket with (2) 1¼" Black Stainless Steel Screws (E).



## STEP 2.2

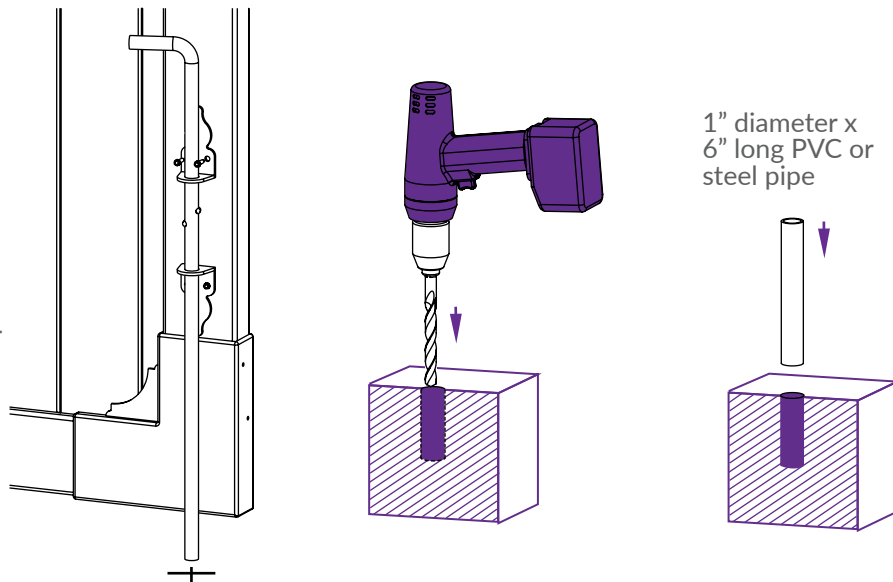
► Insert the Drop Rod (C) into the top bracket and insert the rod into the bottom bracket as shown. Measure 4" between the brackets and fasten with (2) ½" black hex head screws.



*Note: Make sure the raised stops are between the brackets before fastening the top bracket.*

## STEP 2.3

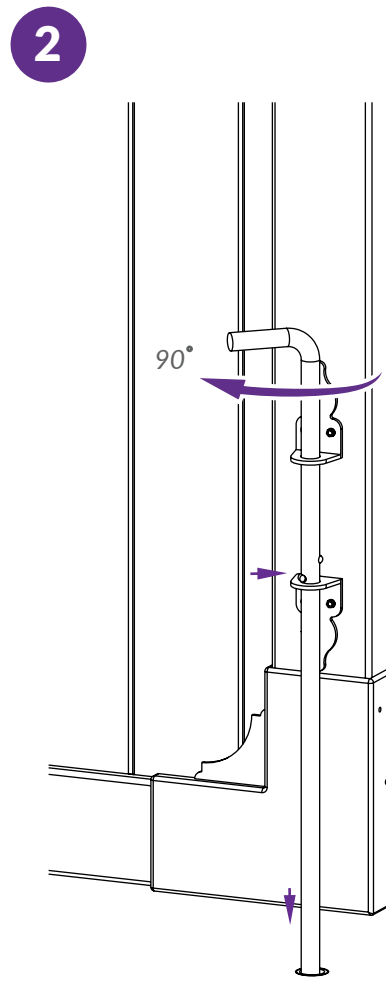
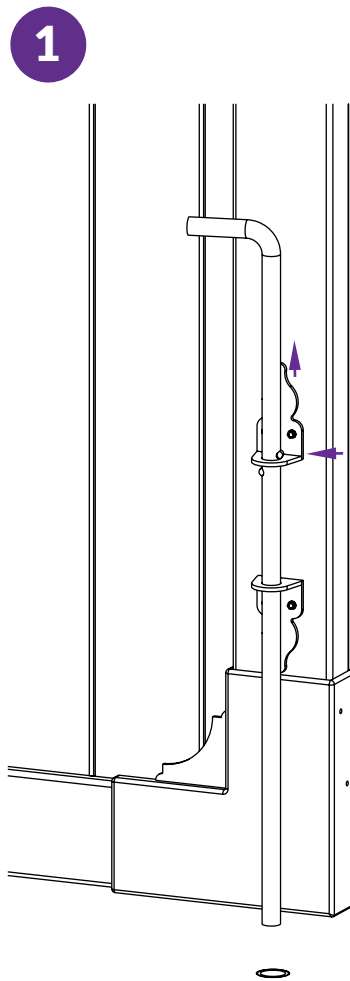
► Mark the location of the drop rod on the ground and move the gate out of the way. If you have a concrete surface, drill a 1" diameter hole 2.5" deep. If you have a dirt surface, create a 1" diameter hole 6" deep and insert a 1" diameter PVC or steel pipe to prevent debris from filling the hole.



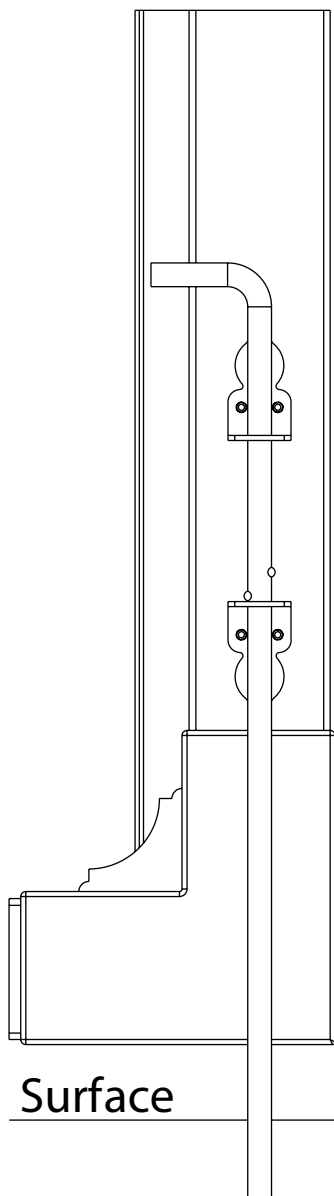
## STEP 3: OPERATIONS

### STEP 3.1

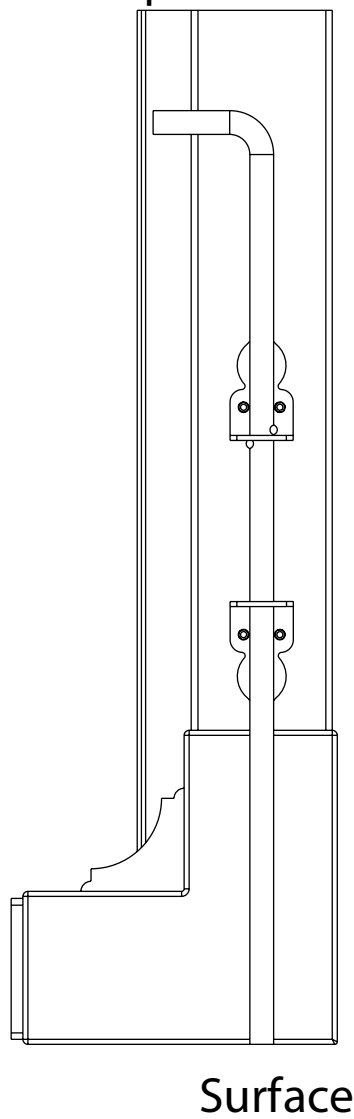
1. To lock the gate rod in the up position, raise the gate rod while aligning the stop on the rod through the notch in the bracket. Rest the stop on the top of the bracket and turn 90 degrees to lock as shown.
2. To drop the rod in the down position, turn the gate rod 90 degrees and align the stop with the notch in the top bracket. The stop on the rod will rest on the bottom bracket as shown.



Down Position



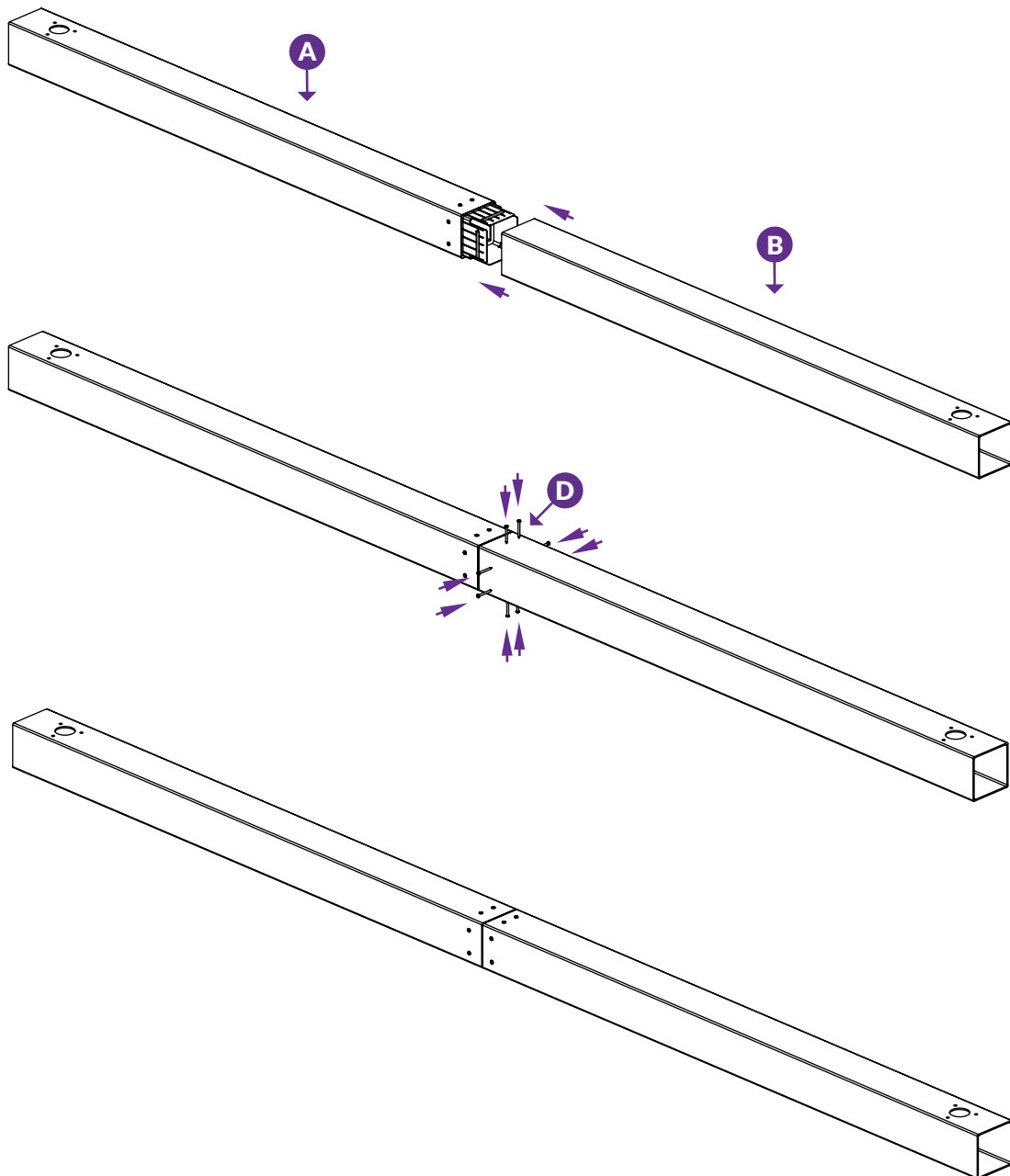
Up Position



## STEP 4: INSTALL DOUBLE GATE JIG

### STEP 4.1

▶ Insert the Gate Jig part 1 (A) into the Gate Jig part 1 (B). Drive (8) total 1½" Stainless Steel Self-Drilling Screws (D) into the gate jig part 2 as shown below to secure the jig.





# WamBam

Fun Name. Serious Fence.



6935 Reames Rd. Ste. K.  
Charlotte, NC 28216



[hmmm@wambamfence.com](mailto:hmmm@wambamfence.com)

704-892-5222  
877-778-5733



[WWW.WAMBAMFENCE.COM](http://WWW.WAMBAMFENCE.COM)