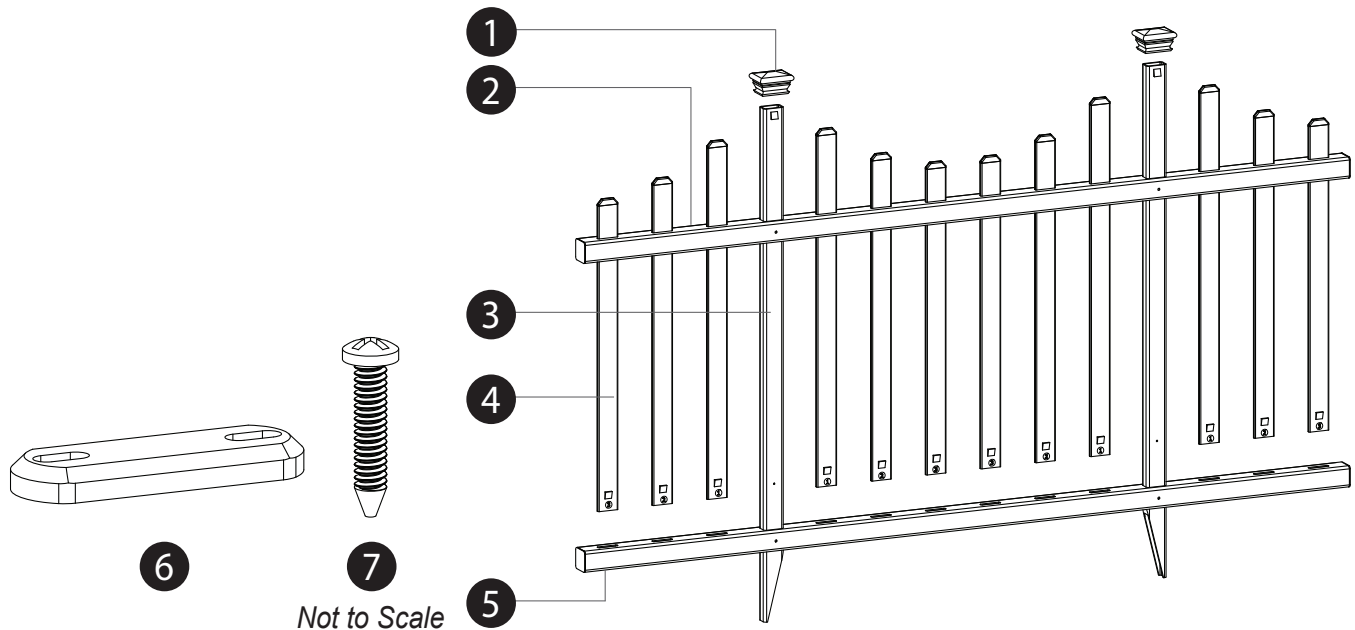


BOX CONTENTS

Madison Vinyl Picket Fence Kit 2-Pack (30"H x 56^{1/2}"W)



What's Included:

1. Post Caps (4)
2. Top Rail (2) - 1^{1/2}" x 1^{1/2}" x 56^{1/2}"
3. Posts (4) - 7/8" x 1^{1/2}" x 36^{1/2}"
4. Pickets (24) - 1 - 1/4" x 1^{1/2}" x 25 1/8"
2 - 1/4" x 1^{1/2}" x 23"
3 - 1/4" x 1^{1/2}" x 21 7/8"
5. Bottom Rail (2) - 1^{1/2}" x 1^{1/2}" x 56^{1/2}"
6. Joiner Clips (4)
7. 3/4" Self-Auguring Stainless Steel Screw (24)

General Information:

- Read Instructions through carefully before beginning assembly.
- When assembling components, place on a non-abrasive surface (i.e. shipping box) to avoid scratching.
- We recommend an area approx 5'x 8' for unobstructed assembling.
- You should not need to use excessive force when assembling components.



ZIPPITY
DO-IT-YOURSELF
FRIENDLY PRODUCTS