



VM™ 6.1

Capacitive Air Gap Measuring Chains

User's Manual



Safety Information

The following manual contains information and warnings. They must be followed in order to keep the instrument in a working condition and ensure safe operation.

Safety and Electrical Symbols

	Warning - Danger - Identifies conditions or practices that could cause physical harm or death.
	Caution - Identifies conditions or practices that could result in a permanent loss of data or damage the measuring chain and/or other equipment to which it is connected.
	Important Information - Identifies important information, hints, and tips that must be read and applied.

Safety Precautions

Warning - Danger **Caution**

- To use the described product correctly and safely, read and follow all safety instructions or warnings that appear throughout this manual.
- This product is intended to be used by qualified operators and maintenance personnel who recognize shock hazards and are familiar with the safety precautions required to avoid possible injury. Read and follow all installation, operation, and maintenance information before using this product.
- Use this product only as specified in this manual or the protection provided by this product might be impaired.
- When in doubt that safety protection has been impaired, make this product inoperative and secure it against any unintended operation.
- Use caution when working with voltage levels above 30 VAC RMS or 42 VDC. These voltage levels are potential shock hazards.
- Follow all generally accepted safety practices and procedures when working with or around electricity.
- Do not use this product in wet environments.

NOTICE: Trademarks referenced herein are trademarks and registered trademarks of VibroSystM Inc. or third parties, and are the property of their respective owners. Third party trademarks are used for identification purposes only and shall not be construed as indicative of any relationship or endorsement between VibroSystM Inc. and the third parties.

This manual is provided solely for guidance. VibrosystM Inc. takes no responsibility or liability for any damage caused by accidents, improper installation or misuse. Liability is limited to the repair and/or replacement of defective products.

VibroSystM Inc. 2727 Jacques-Cartier E. Blvd, Longueuil, QC, Canada J4N 1L7 | Phone: 450 646-2157 | U.S. Toll-free Line: 800 663-8379

Email: techsupp@vibrosystem.com | www.vibrosystem.com



TABLE OF CONTENTS

1. VM6.1 MEASURING CHAIN OVERVIEW	5
1.1 Description	5
1.2 Main Unit Interventions	6
1.3 Sensor Installation Overview.....	7
2. TRIAXIAL EXTENSION CABLE OVERVIEW	8
2.1 Description	8
2.2 Installation Overview.....	8
3. LIN-300 SERIES CONDITIONER OVERVIEW	9
3.1 Description	9
3.2 Installation Overview	9
3.3 Connection	10
3.4 M12 Connector Pinout	11
3.5 Grounding the Signal Cable's Shield	11
3.6 Output Signal Value	11
3.7 Operation	12
3.7.1 Boot Sequence.....	12
3.7.2 LED Functionality	12



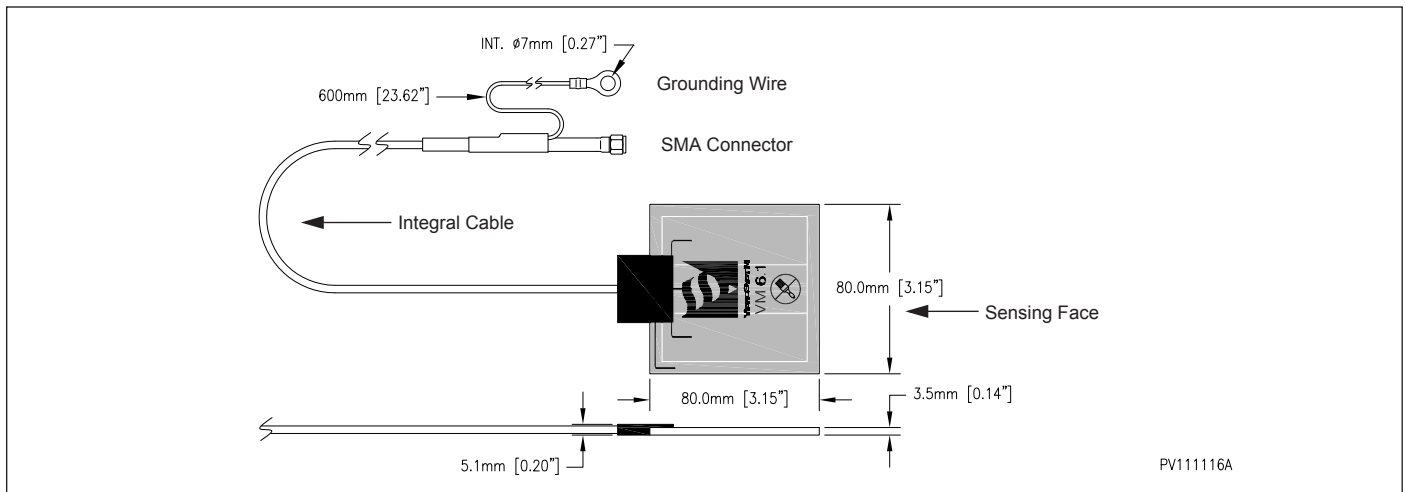


1. VM6.1 MEASURING CHAIN OVERVIEW

1.1 Description

The VM6.1 measuring chains are used to measure an air gap in large rotating machines. The raw signal picked up by the VM6.1 capacitive air gap sensor is sent to a LIN™-300 series conditioner through a 0.5 m [19.7 in] integral cable and extension cable to be converted into a linearized 4 to 20 mA signal. The entire chain is then connected from the conditioner to an acquisition unit through a signal cable terminated by an M12 connector.

VM6.1 Capacitive Air Gap Sensor



! Important Information

- Because of the different measuring ranges covered by the VM sensors, different types of LIN-300 conditioners must be used. Refer to the table below for the model of LIN-300 Series conditioner corresponding to the sensor.

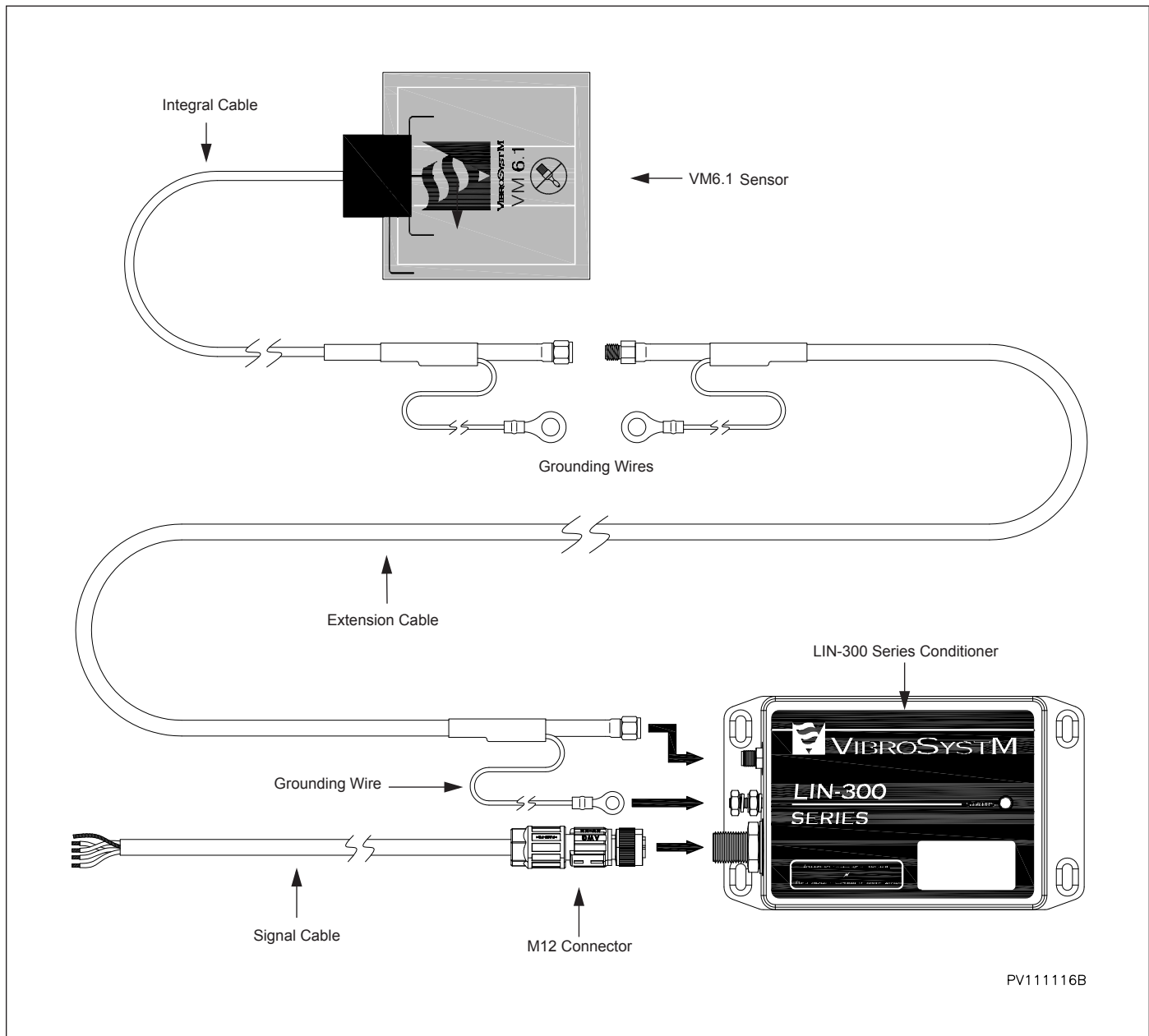
VM6.1 Measuring Chain Combinations

LIN-300 Series Model	Extension Cable Type	Measuring Range
LIN-361-10S-3/30	10 m [33 ft] Type S*	3 to 30 mm [118 to 1181 mils]

* Type S cable is designed for regular operating temperature. Refer to the product data sheet for detailed specifications.



Measuring Chain and Signal Cable Layout



1.2 Main Unit Interventions

- Epoxy resins and silicone will be used inside the unit.
- A hole must be threaded in the stator core pressure plate to connect the integral cable's grounding wire on the sensor side.
- A protection box (or more) must be installed outside the stator core to house the LIN conditioner(s).
- Protective conduits must be routed throughout the unit to protect the cables.



1.3 Sensor Installation Overview

Important Information

- VibroSystM technicians should be present during measuring chain installation and commissioning.

- The sensor's sensing face must be parallel to the target's surface.
- Sensors must ideally be glued against stator laminations so they can face the plane area of rotor poles, usually beneath the second ventilation hole.
- The integral cable must also be glued to the stator core and covered with silicon for protection.

Caution

- If sensors are to be glued on a stator with protruding wedges, make sure to use VibroSystM spacers.
- Grounding wires must **NEVER** be cut or altered.
- Integral cables are factory calibrated and must **NEVER** be cut or altered.
- Never exert traction on the integral cable or connector.
- Do not apply paint or silicone on the sensor's sensing face.

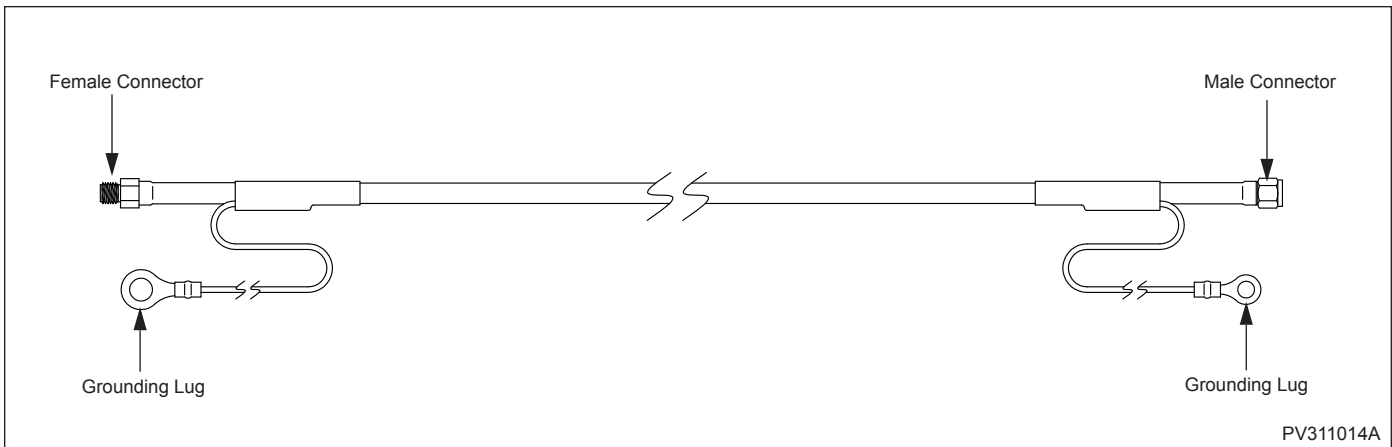


2. TRIAXIAL EXTENSION CABLE OVERVIEW

2.1 Description

Triaxial extension cables are the link between the VM6.1 sensor's integral cable and the LIN-300 series conditioner.

Triaxial Extension Cable

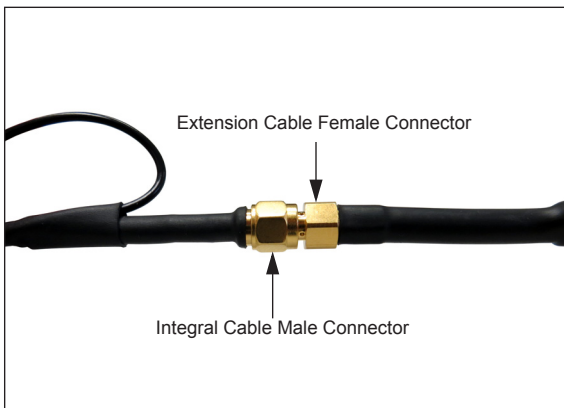


- Before installing the extension cable, it is important to determine where the conditioner protection boxes will be installed, keeping in mind the cable's length.
- The cable and connections must be protected by a combination of conduit, protective tubing, and heat-shrinkable jackets.

Caution

- Never install extension cables on high voltage components.
- Extension cables are calibrated and must **NEVER** be cut or altered.
- Never pull on the SMA connector to route the cables.

2.2 Installation Overview



1. Make sure the integral cable's male connector is well secured to the extension cable's female connector.
2. Sensor and extension cable grounding wires must both be connected to a grounded part of the machine.

Caution

- A protective heat-shrinkable jacket must be installed around the integral and extension cable's connection to protect it from debris and isolate it from the ground.

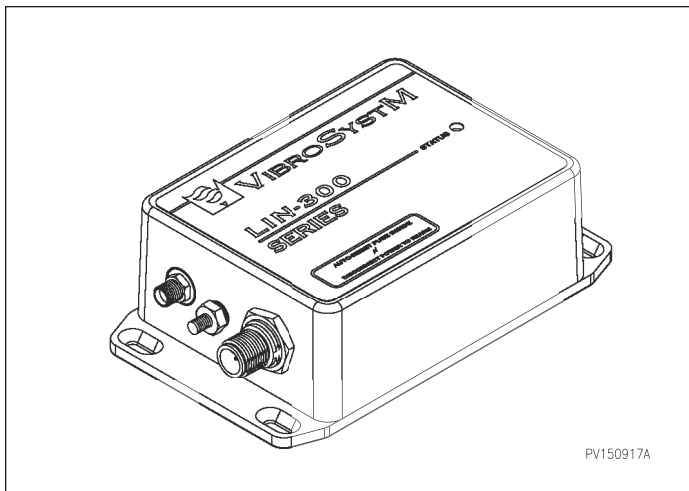


3. LIN-300 SERIES CONDITIONER OVERVIEW

3.1 Description

The LIN-300 series conditioners are signal conditioning units which, when paired with matching sensors and extension cables, deliver a 4 to 20 mA linearized raw output signal. The triaxial extension cable is connected to the conditioner through an SMA connector, while power input and signal output are provided by a signal cable through an M12 connector.

LIN-300 Series Conditioner



3.2 Installation Overview

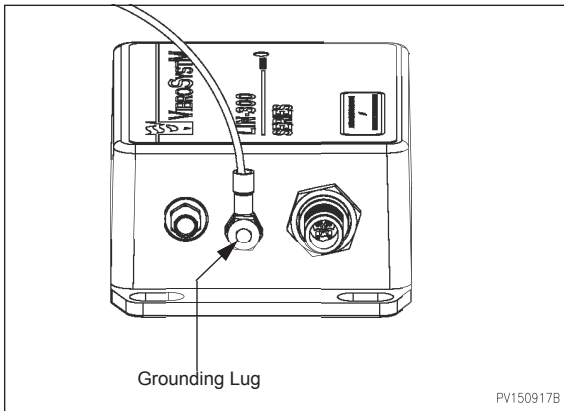
- The LIN-300 must be installed in a properly grounded protection box and mounting panel.
- The power/signal cable is limited to a maximum length of 300 m [984 ft].
- Possible conditioner locations are limited by the length of the sensor's integral cable.

 **Caution**

- It is recommended to use a VibroSystM protection box since it is equipped with vibration dampers and offers excellent grounding. Using a generic box could affect the entire measuring chain's performance.

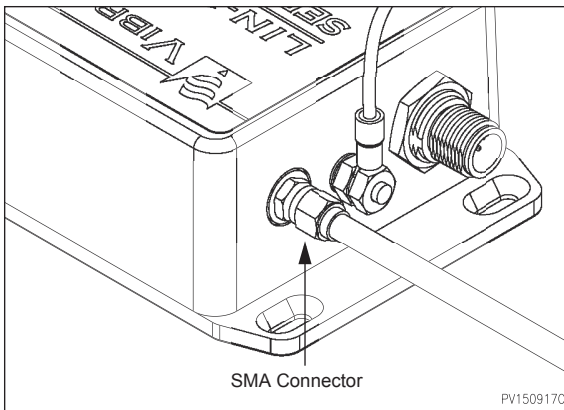


3.3 Connection



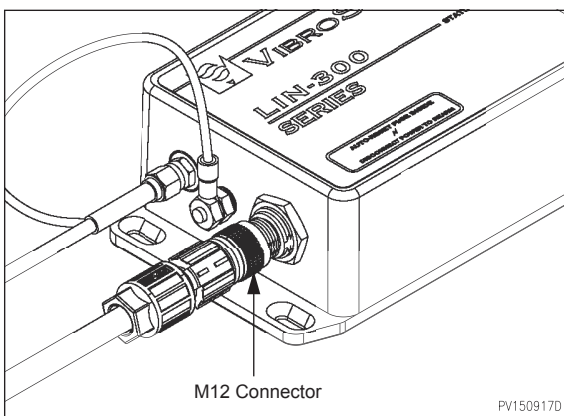
1. Make sure the grounding lug is firmly secured to the LIN-300's grounding terminal.

Recommended torque: 1.7 Nm [15 in-lb]



2. Make sure the integral cable's SMA connector is firmly secured to the LIN-300's SMA socket.

Recommended torque: 1.1 Nm [10 in-lb]



3. Make sure the M12 connector is firmly secured in place.

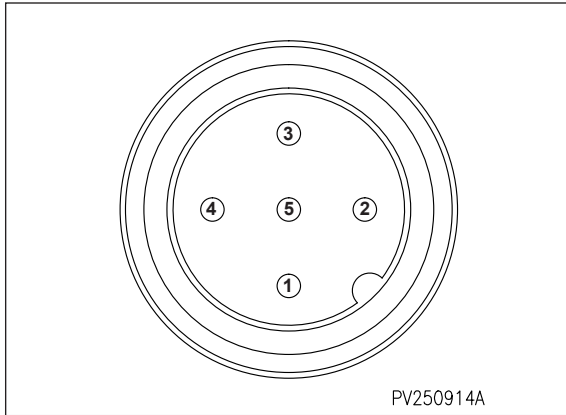
 **Caution**

- Grounding is achieved through the LIN-300's four installation screws.



3.4 M12 Connector Pinout

The illustration below shows the LIN-300's M12 male connector pinout.



The cable provided by VibroSystM may be replaced by any cable having similar characteristics. The table below shows the color codes, designations and specifications for VibroSystM's signal cable.

M12 Connector Pin #	Corresponding Color Code	Designation	Specifications
1	Brown	Power Supply	+24 VDC
2	White	Current Output	4-20 mA (proportional to sensor's full range)
3	Blue	Common	0 V
4	Black	Not Used	
5	Not Used		

3.5 Grounding the Signal Cable's Shield

The signal cable's shield must also be grounded. It is important that the shield be grounded on one end only to avoid creating a ground loop. If the M12 connector at the end of the signal cable is insulated from the shield, the shield must then be grounded on the acquisition unit side. However, if the M12 connector at the end of the signal cable is connected to the shield, connecting the signal cable to an already grounded LIN-300 conditioner will automatically ground the shield. In this case, the shield must not be grounded on the acquisition unit side.

3.6 Output Signal Value

Once the sensor is connected, the LIN-300's output signal value must be within the 3 to 22 mA range. The output signal provides linear current throughout the entire measuring range. The distance value is obtained by applying the following transfer formula:

LIN-361-10S-3/30

- $D_{mm} = (I_{out}(mA) - 2.22) / 0.59$ Over 4-20 mA Output
- $D_{mils} = (I_{out}(mA) - 2.224) / 0.01505$ Over 4-20 mA Output



3.7 Operation

3.7.1 Boot Sequence

Once the sensor is connected, apply power to the LIN-300 and verify the 3-color LED indicator's flash sequence upon start-up. A normal boot sequence should be as follows:

One orange flash, followed by green flashes.

3.7.2 LED Functionality

Once the boot sequence is completed, the LED indicator will continue flashing green while the LIN-300 scans the measuring chain. Once the scan is completed, the LED reflects the chain's overall condition:



Continues Flashing Green: Indicates a normal operation (**Status OK**).

Flashes Red: Indicates an error condition. Two flash sequences are most likely to occur:

Error Condition #1: The LED turns on for one second, followed by one brief flash. This means that the sensor is not connected.

Error Condition #2: The LED turns on for one second, followed by two brief flashes. This means that the sensor's distance to the target is below the minimum detection range.

If a different LED sequence from the ones explained above appears on the LIN-300, please contact VibroSystem.