



CONNECTORIZED INTERNAL FLANGE

With Penetration Flange and Protection Box

User's Manual



Safety Information

The following manual contains information and warnings that must be observed and followed in order to keep instruments in good condition and insure safe operation.

Safety and Electrical Symbols

	Warning - Danger - Identifies conditions or practices that could cause physical harm or severely damage the equipment.
	Caution - Identifies conditions or practices that could affect product performance.
	Important Information - Must be read and followed.

Safety Precautions

Warning - Danger Caution
<ul style="list-style-type: none">• Due to the flange's weight, special care must be taken when welding it to the stator housing;• Caution must be taken during the welding process to ensure safety and retain complete integrity during the pressure (leak) test;• The installation must be done by qualified personnel that meet regional standards and safety regulations;• The flange is usually installed in hydrogen-cooled environments, take special precautions when working in such hazardous conditions.

NOTICE: Trademarks referenced herein are trademarks and registered trademarks of VibroSystM Inc. or third parties, and are the property of their respective owners. Third party trademarks are used for identification purposes only and shall not be construed as indicative of any relationship or endorsement between VibroSystM Inc. and the third parties.

This manual is provided solely for guidance. VibrosystM Inc. takes no responsibility or liability for any damage caused by accidents, improper installation or misuse. Liability is limited to the repair and/or replacement of defective products.

VibroSystM Inc. 2727 Jacques-Cartier E. Blvd, Longueuil, QC, Canada J4N 1L7 | Phone: 450 646-2157 | U.S. Toll-free Line: 800 663-8379
Email: techsupp@vibrosystem.com | www.vibrosystem.com



TABLE OF CONTENTS

1. GENERAL DESCRIPTION	5
2. MAIN INTERVENTIONS.....	5
3. PENETRATION FLANGE INSTALLATION	5
3.1 Determining an Exit Point.....	5
3.2 Welding the Penetration Flange	6
3.3 Boring the Stator Housing	6
4. CONNECTORIZED INTERNAL FLANGE INSTALLATION	7
4.1 O-ring Seal Installation	7
4.2 Cable Identification	7
4.3 Final Flange Assembly	8
5. PROTECTION BOX INSTALLATION	9
6. SAFETY COVER INSTALLATION.....	10
7. PENETRATION FLANGE WELDING RECOMMENDATIONS	11





1. GENERAL DESCRIPTION

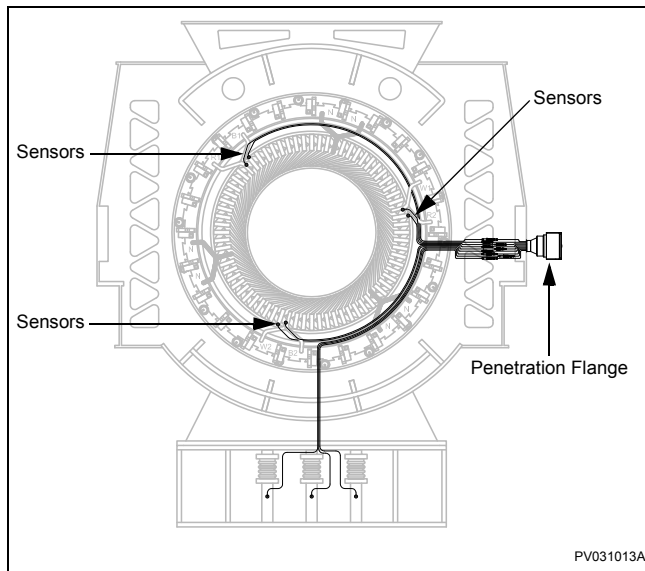
Hydrogen-cooled turbo generators require specialized flanges to allow internal sensors to interface with outside instrumentation systems without creating hydrogen leaks and loss of pressure. The flange is composed of two main sections: the penetration flange and the connectorized internal flange (with nine or twelve sealed M12 connectors). The penetration flange is welded onto the stator housing to which a hole is bored, while the connectorized internal flange (M12 x 9 or M12 x 12) is installed inside the penetration flange, allowing extension cables to safely exit the generator.

2. MAIN INTERVENTIONS

- Flange(s) must be installed directly on the exterior of the stator housing, near both ends of the generator.
- Hole(s) must be bored through the stator housing (not done by VibroSystM).
- Welding must be executed outside the generator (not done by VibroSystM).
- A pressure (leak) test is required (not done by VibroSystM).

3. PENETRATION FLANGE INSTALLATION

3.1 Determining an Exit Point



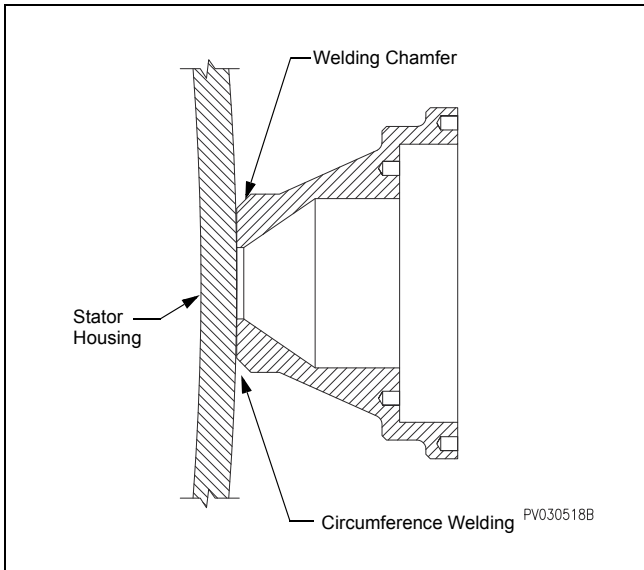
1. Make sure to carefully map out the exit point on the stator housing in relation to maximum internal cable length. The illustration on the left shows a typical flange installation inside a turbo generator. Use it as a reference for mapping out the ideal exit point.



3.2 Welding the Penetration Flange

! Important Information

Before welding, read 7. - *PENETRATION FLANGE WELDING RECOMMENDATIONS* at the end of this manual.



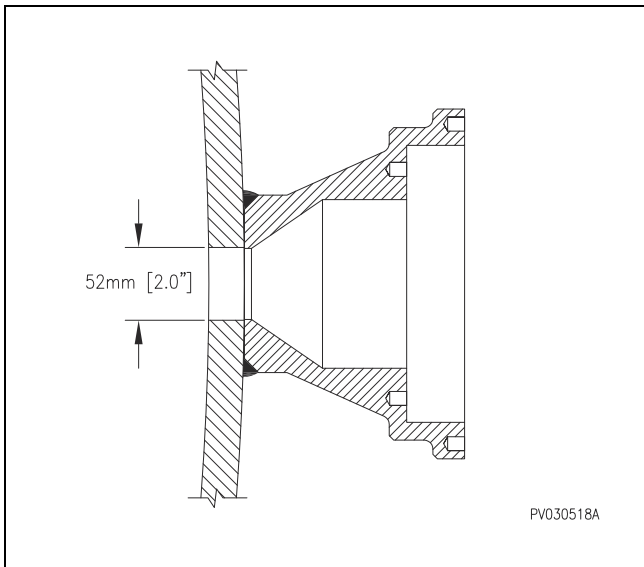
1. Once the exit point has been determined, prepare the surface for welding.

! Caution

Make sure the penetration flange is well supported and stable before welding.

2. Position the flange in place and proceed with the welding.
3. A pressure (leak) test is necessary to verify the weld's effectiveness.

3.3 Boring the Stator Housing



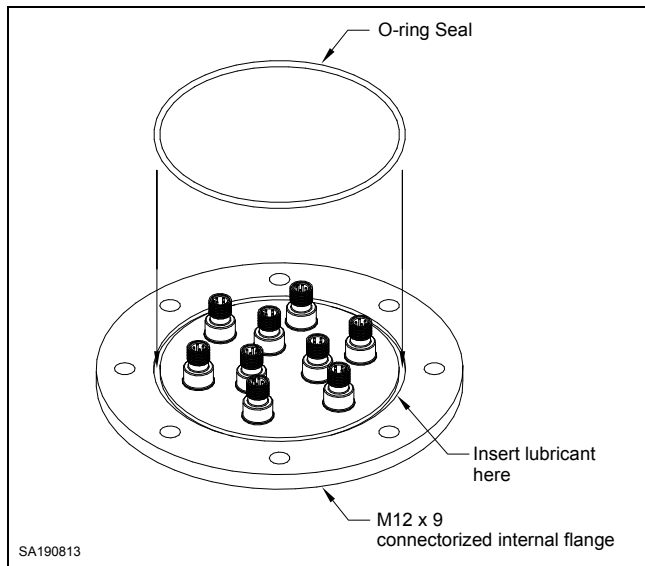
1. Bore a hole in the stator housing, at the center of the welded penetration flange.



4. CONNECTORIZED INTERNAL FLANGE INSTALLATION

The connectorized internal flange is built with 9 or 12 M12 feedthrough connectors acting as interface between the sensors and outside measuring instrumentation. A Viton[®] O-ring seal is installed inside the flange to properly seal it against hydrogen leaks.

4.1 O-ring Seal Installation

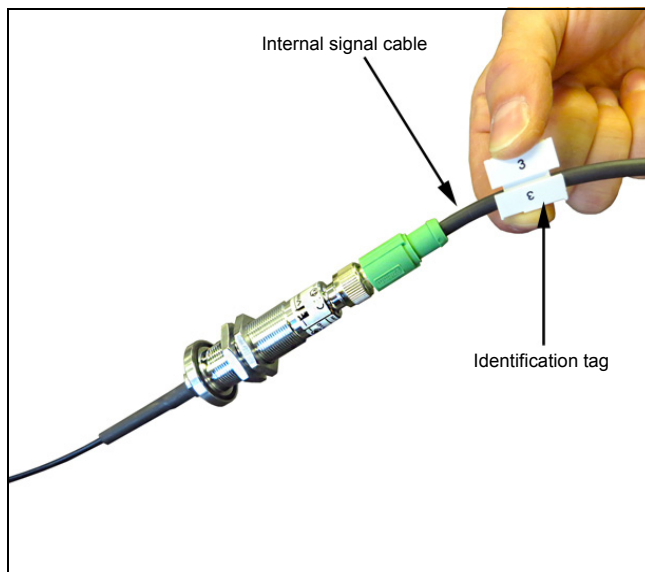


Caution

O-ring seal installation is critical for sealing the connectorized internal flange.

1. Apply a small quantity of Parker-O-Lube[®] Lubricant inside the flange's groove.
2. Carefully inspect the provided O-ring seal to make sure it is not damaged.
3. Carefully place the O-ring seal inside the groove.

4.2 Cable Identification



1. In order to prevent sensor mismatch, use the provided identification tags to mark each internal signal cable with the same reference number on both ends. This will be useful when connecting the M12 female connectors to the connectorized internal flange.



4.3 Final Flange Assembly

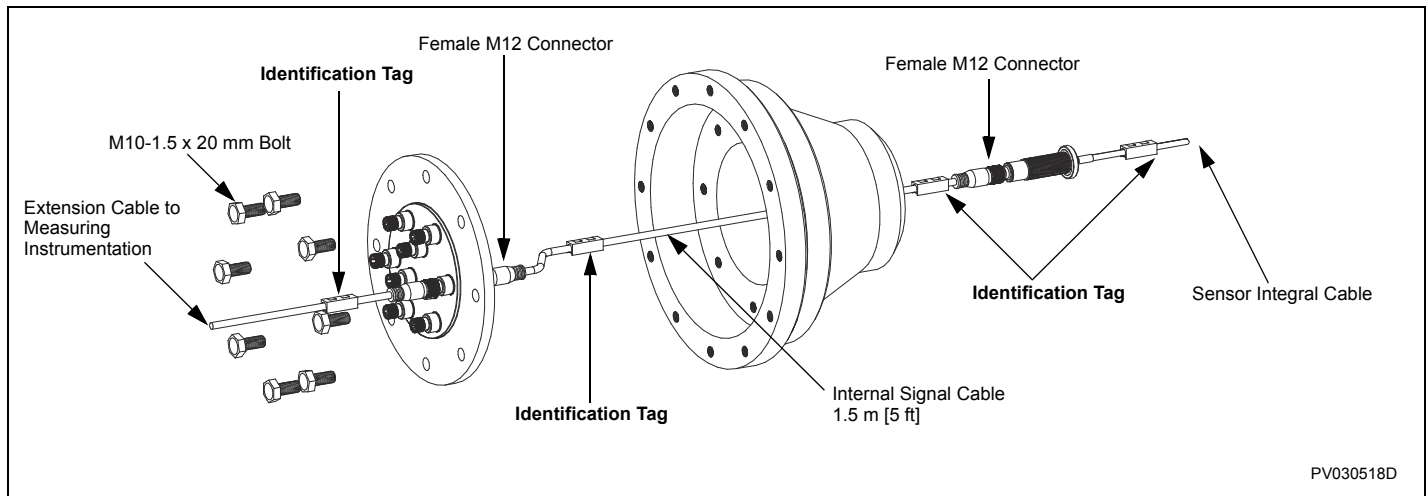
1. Connect all internal signal cables to the M12 connectors on the O-ring side of the connectorized internal flange. Cable reference numbers must match the connector numbers located on the flange.
2. Once all connectors are properly installed and secure, carefully place the connectorized internal flange inside the penetration flange.

Important Information

To insure proper installation, apply Loctite® Threadlocker Blue 242 on the M10 x 1.5 bolt threads.

3. Tighten the M10-1.5 x 20 mm bolts in a crisscross sequence to 46 Nm [34 ft-lb].
4. Connect the sensor integral cables to the internal signal cables. Use the provided identification tags to mark to integral cables.
5. Connect the extension cables to the M12 connectors on the external side of the connectorized internal flange. Use the provided identification tags to mark the extension cables.

Typical Flange Assembly



Important Information

To avoid unnecessary stress on the M12 female connectors, VibroSystM recommends using strain relief fittings to secure the extension cables.

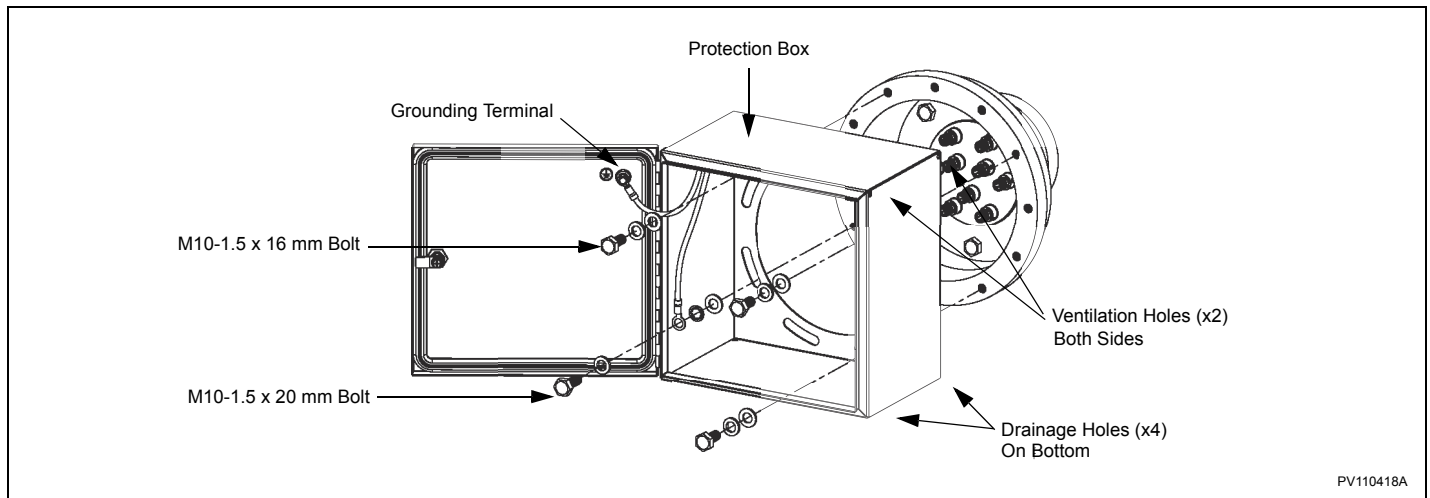


5. PROTECTION BOX INSTALLATION

⚠ Caution

The protection box is designed with built-in holes at its extremities to avoid hydrogen or water build-up. The box must be properly placed in order to make these holes effective.

1. Carefully align the protection box over the penetration flange and make sure it is installed horizontally with the hinges on the left hand side.
2. Use any slotted hole combination to position and secure the box.
3. Torque the three M10-1.5 x 16 mm bolts to 46 Nm [34 ft-lb].
4. Secure the grounding terminal with the M10-1.5 x 20 mm bolt. Torque to 46 Nm [34 ft-lb].

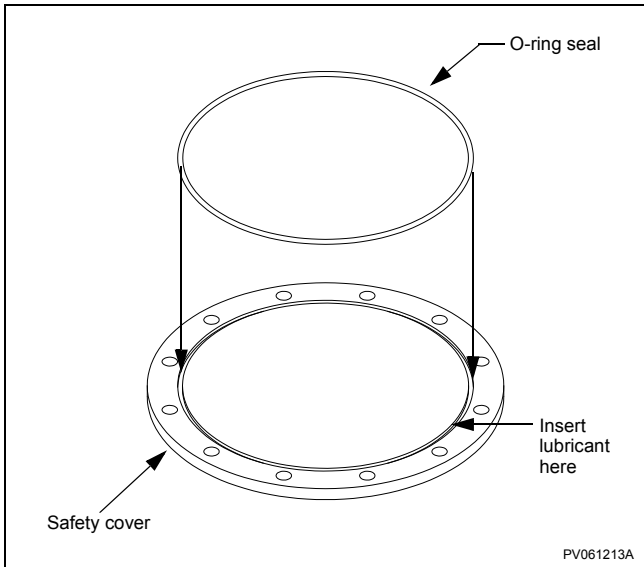




6. SAFETY COVER INSTALLATION

A safety cover is provided in the event of hydrogen leaks coming from inside the penetration flange. The cover will stop all leaks, but will condemn the entire flange assembly.

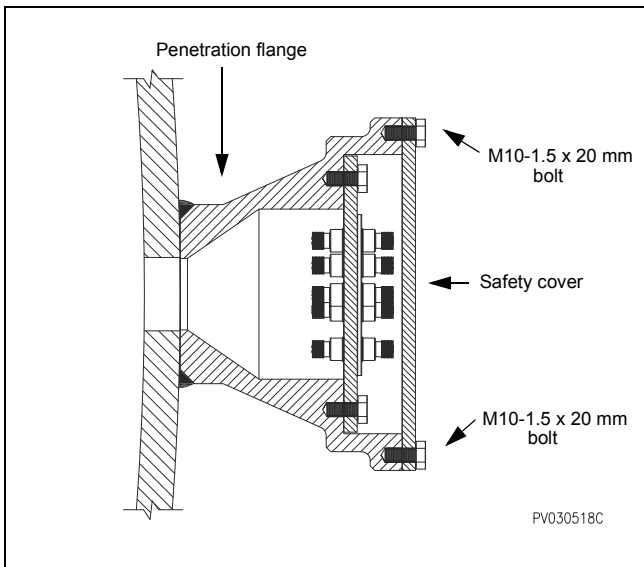
1. Remove all extension cables from the M12 connectors located on the outside of the connectorized internal flange.
2. Remove the protection box.



Caution

O-ring seal installation is critical for sealing the safety cover.

3. Apply a small quantity of Parker-O-Lube® Lubricant inside the safety cover's groove.
 4. Carefully inspect the provided O-ring seal to make sure it is not damaged.
 5. Carefully place the O-ring seal inside the groove.
-
6. Install the safety cover onto the penetration flange. Torque the M10-1.5 x 20 mm bolts to 46 Nm [34 ft-lb].





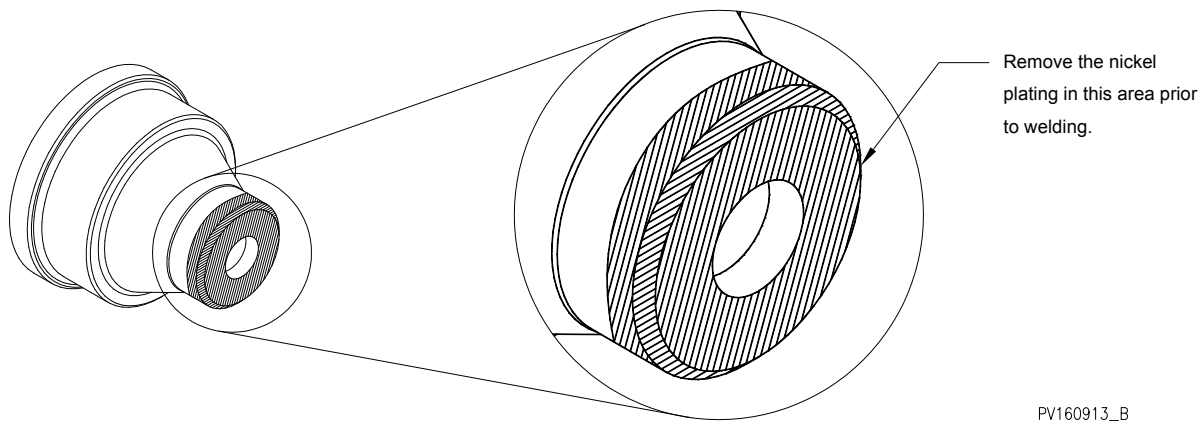
7. PENETRATION FLANGE WELDING RECOMMENDATIONS

The following information is not a welding procedure specification, and is provided for general guidance only. It only points out general practices that should be applied. Flange welding must be done by qualified and trained personnel only.

VibroSystM Inc. takes no responsibility or liability for any damage caused by accidents, improper installation or misuse. Liability is limited to the repair and/or replacement of defective products.

General Information

The penetration flange is made of AISI 1045 medium carbon steel. A nickel-plated finish provides protection against corrosion and must be removed with a grinder in some areas before welding (see illustration below).



Welding Recommendations

When dealing with thick material sections such as the penetration flange, the steps to obtain a hydrogen leak-free weld seam should be the same for low and medium carbon steel. The following steps should be observed:

- Surfaces to be welded should be clean, stripped down to the bare metal, and free of oil or other deposits.
- Low hydrogen electrodes and appropriate filler wire should be used.
- The heat-affected zone should be preheated.
- The interpass temperature should be controlled.
- A slow cooling rate is recommended (a fire retardant blanket may be used).

