



TWS™-200

TEMPERATURE SENSING MEASURING CHAIN

GENERAL SPECIFICATIONS

TWS-200 Sensor

Operation

- Measuring range -55 to 125°C [-67 to 257°F]
- Accuracy
 - over partial range of -10 to 85°C [14 to 185°F] ±0.5°C [±0.9°F]
 - over full range of -55 to 125°C [-67 to 257°F] ±2°C [±3.6°F]
- Sensors per measuring chain 1 to 100

Power Requirements

- Power source Supplied by HAVSM interface

Connection

- Integral cable
 - Type 3-wire cable
 - Outer jacket diameter 3.3 mm [130 mils]
 - Sensor to sensor connection Metal crimp splice with isolation sleeve (special tool required)
 - Distance between sensors (without extension cable)
 - Minimum 30 cm [11.8 in]
 - Maximum 96 cm [37.8 in]
- Measuring chain total length
 - Maximum 100 m [330 ft]

Environment

- Temperature range
 - Operating -55 to 125°C [-67 to 257°F]
 - Storage -55 to 125°C [-67 to 257°F]
- Protection rating IP64

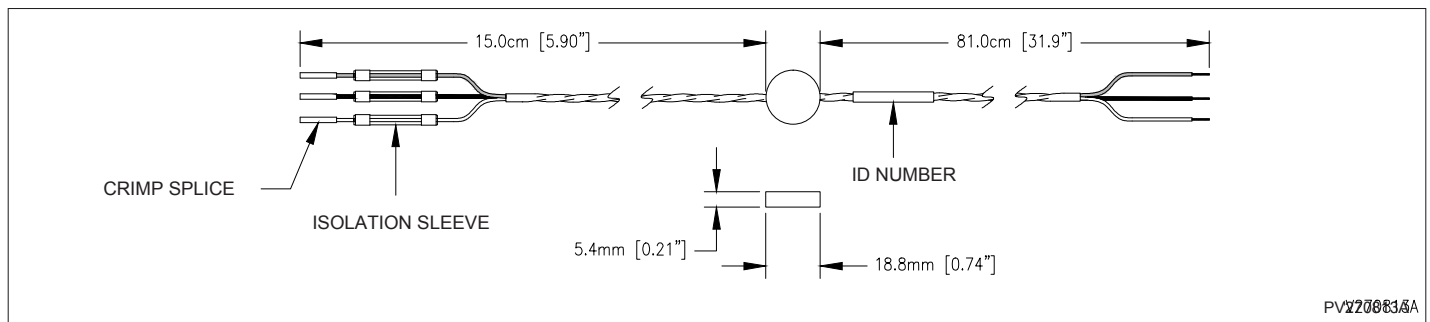
Physical characteristics

- Sensor body PEEK
- Cable jacket Irradiated polyolefin



Warning: TWS-200 sensors MUST NOT be installed on the high voltage portion of bars and MUST be installed by a VibroSystM technician.

TWS-200 DIMENSIONS



PVX20063&A



HAVSM Interface

Operation

- Input TWS-200 sensors
- Output RS-485
- Communication speed Selectable up to 115.2 kbps
- HAVSM per network 1 to 32 (without RS-485 repeater)
- Sampling 50 ms per point

Power Requirements

- Voltage 24 Vdc \pm 15%
- Consumption 150 mA max.

Connection

- Type Screw terminal
- RS-485 communication cable
 - Type 1-pair shielded
 - Maximum length 1,000 m [3,280 ft]

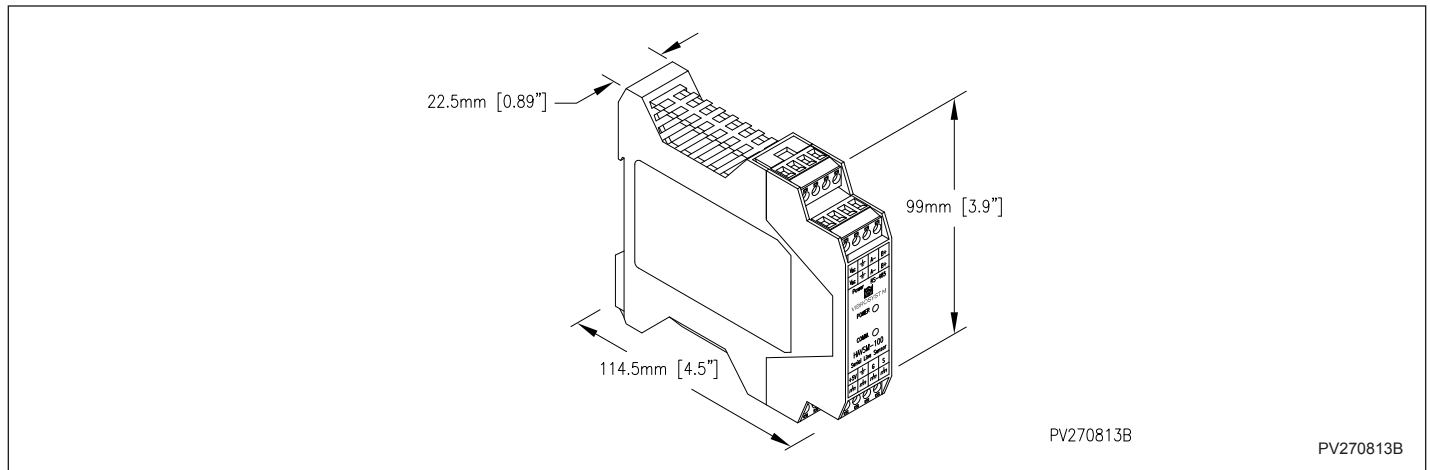
Environment

- Temperature range
 - Operating 0 to 55 °C [32 to 131 °F]
 - Storage -25 to 70 °C [-13 to 158 °F]

Physical Characteristics

- Interface
 - Mounting type 35 mm DIN rail
 - Case body Polyamide

HAVSM-100 DIMENSIONS



PRODUCT IDENTIFICATION

Product Number	Description
VSM-TWS200	TWS-200 temperature sensor
VSM-HAVSM100	TWS interface (HAVSM-100)