



## VSM797S™

### LOW FREQUENCY PIEZOELECTRIC ACCELEROMETER

---

#### GENERAL SPECIFICATIONS

##### Operation (@ 24°C [75°F])

• Sensitivity	500 mV/g ± 5%
• Measuring range	10 g peak
• Amplitude non-linearity	1%
• Bandwidth	0.4 to 1600 Hz (± 10%) 0.2 to 3700 Hz (± 3 dB)
• Resonance frequency	16 KHz nominal
• Transverse sensitivity (20 Hz, 5 g)	< 5%
• Sensitivity deviation vs temperature	- 10% @ - 55 °C [- 67 °F] - 3% @ 0 °C [32 °F] 5 % @ 90 °C [194 °F]
• Residual noise	25 µg RMS
• Output impedance	50 Ω Nominal
• Bias output voltage	10 Vdc ± 10%
• Grounding	Case isolated, internally shielded
• Isolation (case to shield)	100 MΩ minimum

##### Power Requirements

• Power source	Constant current source supply (ICP® transmission mode)
Voltage	22 to 28 Vdc
Constant current	2 to 10 mA dc
• Reverse polarity protection	Built-in

##### Connection

• Connector type	4-Pin M12 male
• Maximum cable length	300 m [984 ft] (Up to 1000 Hz)

##### Environment

• Temperature range	-55 °C to 90 °C [-67 °F to 194 °F]
• Acceleration limit	500 g peak
• Shock limit	5000 g peak

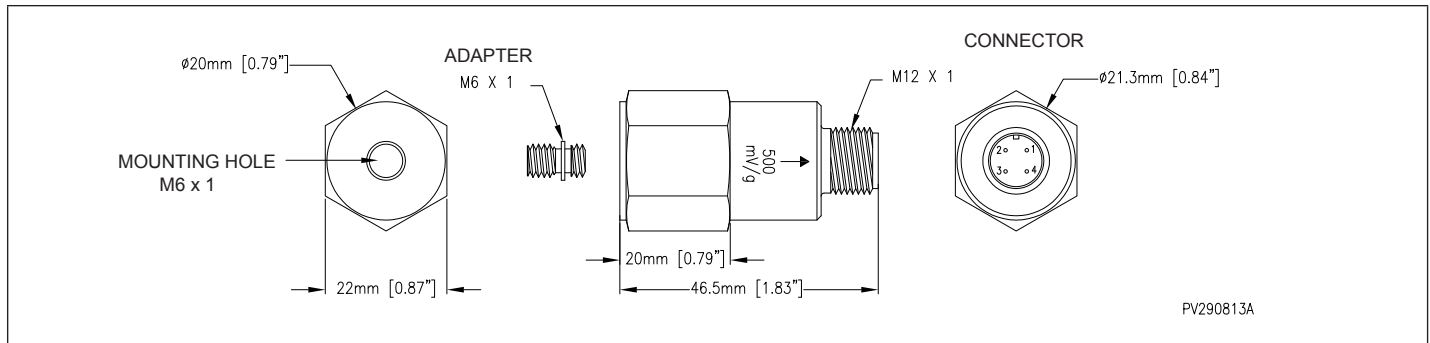
##### Physical characteristics

• Probe body	316L stainless steel
• Weight	95 g [3.4 oz]
• Mounting	Threaded mounting hole (M6x1 adaptor supplied)
• Mounting torque	2.4 Nm [21 in-lb]

---



## DIMENSIONS



## PRODUCT IDENTIFICATION

Product Number	Description
VSM-797S	VSM797S Piezoelectric Accelerometer (500 mV/g)