

CURVE SERIES GEMINI HEAD D600 By VONN Lighting

VTSLHG45D6BL / VTSLHG55D6BL / VTSLHG65D6BL



PROJECT:

TYPE:

CATALOG#:

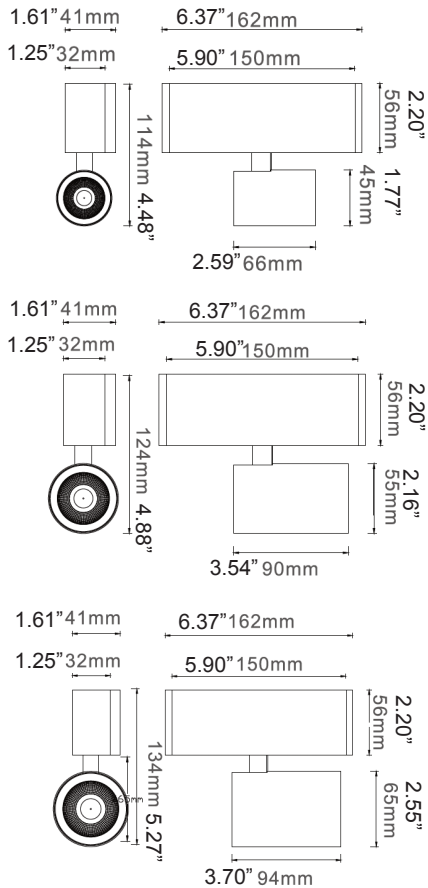
DATE:



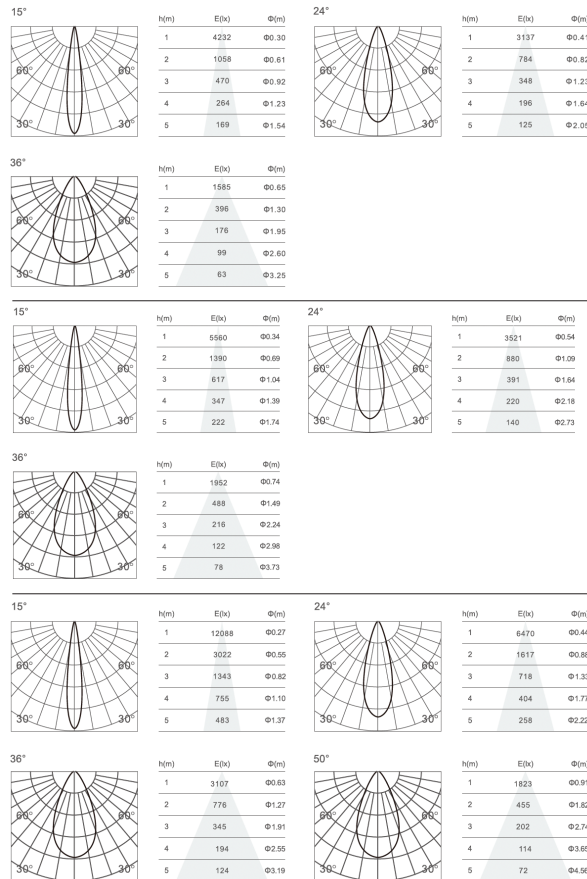
DESCRIPTION

The Gemini series brings more flexible and amazing optical options. Three sizes with different beam angles each, Lens and reflectors both available obtained by means of refractive or hybrid units. Junction arm integrated in the spotlight's body to keep the barrel center aligned with the track and prevent any imbalance in possible suspension versions of track. The junction allows 360° rotation. External dimming interface with Triac,0/1-10V,Dali.

DIMENSIONS



PHOTOMETRICS



SPECIFICATION

MODEL	SIZE	WATTAGE	CCT	LUMENS	CRI	BEAM ANGLE
VTSLHG45D6BL	L: 45MM x W: 45MM x H: 66MM (L: 1.77" x W: 1.77" x H: 2.60")	8W	2700K/3000K/4000K	560Lm	>90	15/24D
VTSLHG55D6BL	L: 55MM x W: 55MM x H: 90MM (L: 2.77" x W: 2.77" x H: 3.54")	12W	2700K/3000K/4000K	1160Lm	>90	15/24/36D
VTSLHG65D6BL	L: 65MM x W: 65MM x H: 94MM (L: 2.56" x W: 2.56" x H: 3.70")	16W	2700K/3000K/4000K	1210Lm	>90	15/24/36D

Theoretical Lumens: XXX LM (subject to change)

Theoretical Wattage: XXX W (subject to change)

***Please note lumens and wattage are subject to change and will be determined post production of the first articles.

*Any custom modifications are subject to minimum order quantity. (M.O.Q.)

© VONN Lighting, 2024

