

PROJECT:

TYPE:

CATALOG #:

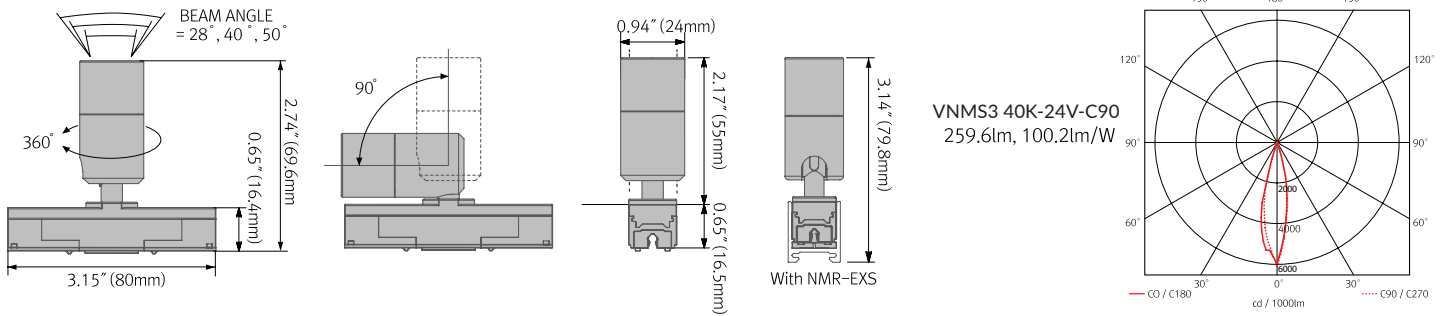
DATE:

SPOT VNMS-3



Model Name	Power Input	Lamp Power	Luminous Flux	Luminous Efficacy	Color Rendering Index	Color Temperature(CCT)	Beam Angle	Operating Temperature
VNMS3 (color)-24V-C90	DC 24V	2.6 W	259.6 lm	100.2 lm/W	CRI > 90	2700K/3000K/3500K/4000K	28°, 40°, 50°	32-113°F
VNMS3 (color)-24V-C90-T	DC 24V	2.6 W	259.6 lm	100.2 lm/W	CRI > 90	2700K/3000K/3500K/4000K	28°, 40°, 50°	32-113°F

Performance data shown above for 4000K CCT. Refer to individual luminaire IES files for other CCT options.



Beam angle	VONN MonoRail 2 Spot		VONN MonoRail 2 Spot (Touch Dimming)	
	Black	White	Black	White
28°	VNMS3 (color)-24V-C90-BK-28	VNMS3 (color)-24V-C90-WT-28	VNMS3 (color)-24V-C90-T-BK-28	VNMS3 (color)-24V-C90-T-WT-28
40°	VNMS3 (color)-24V-C90-BK-40	VNMS3 (color)-24V-C90-WT-40	VNMS3 (color)-24V-C90-T-BK-40	VNMS3 (color)-24V-C90-T-WT-40
50°	VNMS3 (color)-24V-C90-BK-50	VNMS3 (color)-24V-C90-WT-50	VNMS3 (color)-24V-C90-T-BK-50	VNMS3 (color)-24V-C90-T-WT-50

ORDERING GUIDE

MODEL	COLOR TEMPERATURE(CCT)	VOLTAGE	BODY FINISH	BEAM ANGLE
VNMS3		24V		40°
VNMS3	27K -2700K		BK -Black	28°
VNMS3	30K -3000K		WT -White	40°
VNMS3-T	35K -3500K			50°
	40K -4000K			

PRODUCT FEATURES

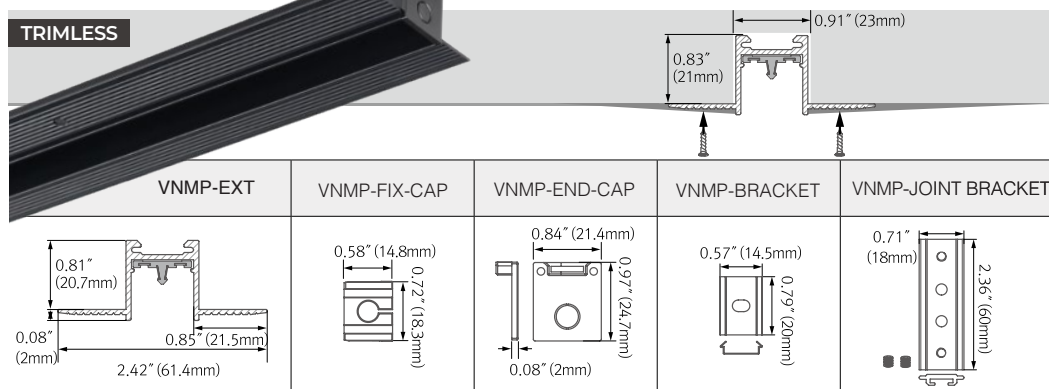
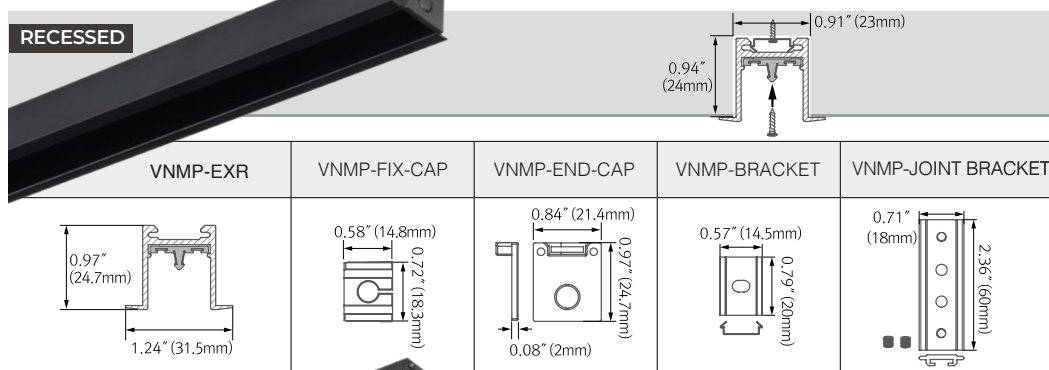
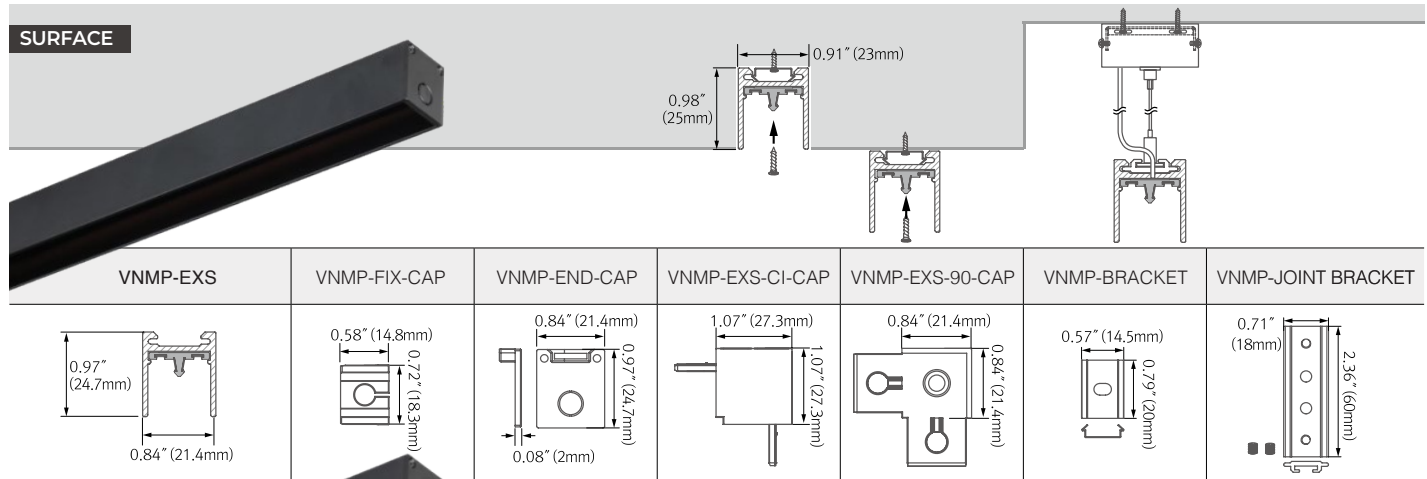
- High-end slim linear LED with Spot-free illumination
- Optional Mini Spotlight available with or without Dimming Touch Sensor
- Easy installation with Magnetic rail system
- Surface, Recessed and Pendant mount track options
- Optional illuminated power feed
- Dimmable

PRODUCT SPECIFICATIONS

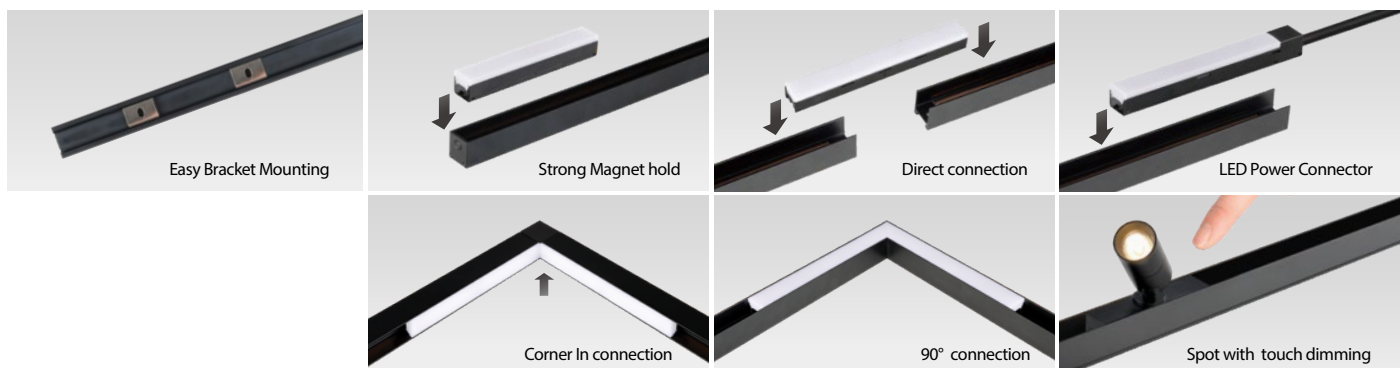
- Voltage: DC 24V
- Operating Temperature: 32-113°(0-45°)
- Lamp Life: 50,000 hrs / 70%
- Available CCTs: 2700K, 3000K, 3500K, 4000K
- Color Rendering Index: CRI > 90
- Finishes: Black, White
- Dimming : Forward/Reverse Phase, 0-10V (with interface)
- 5 year Warranty

NOTES

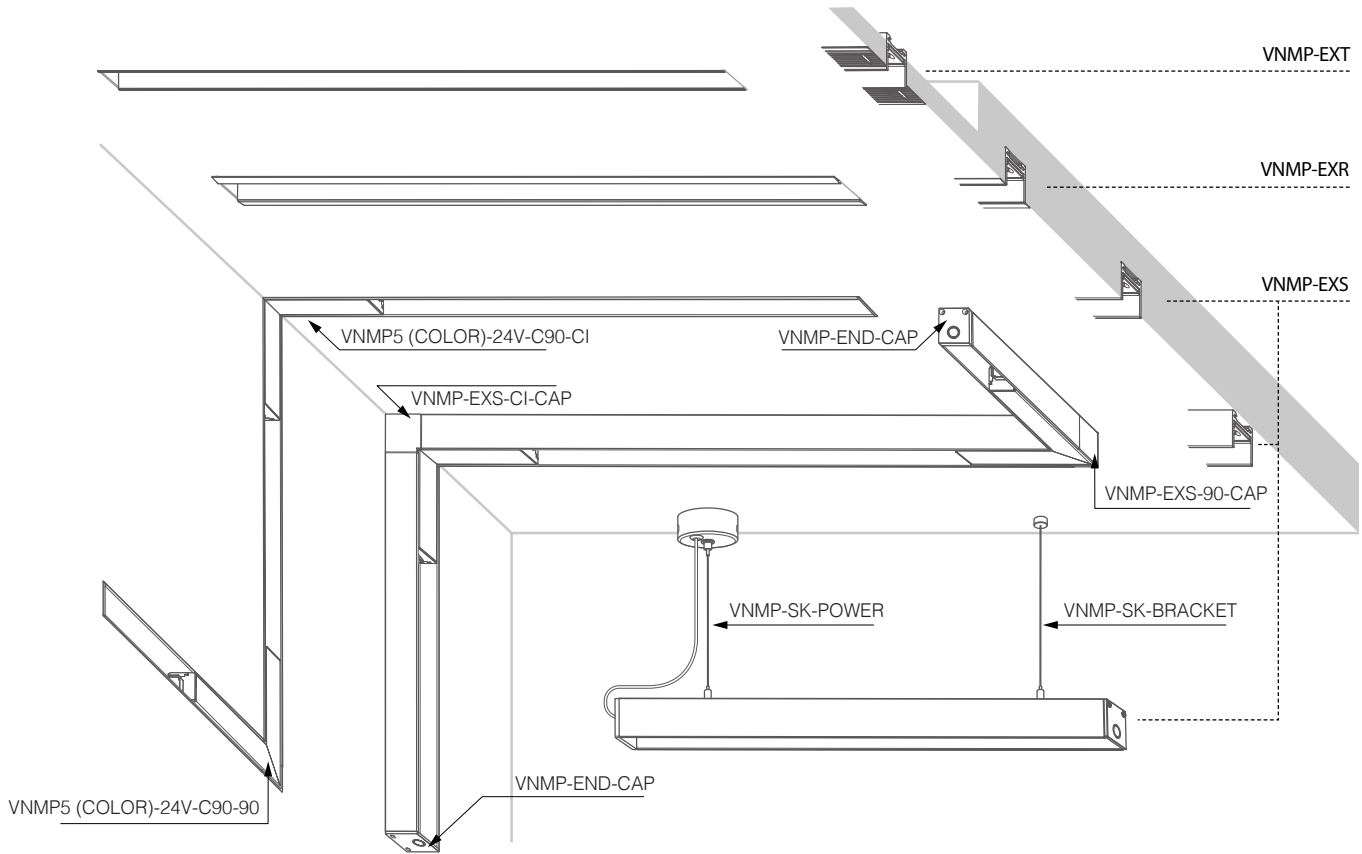
EXTRUSION TYPE



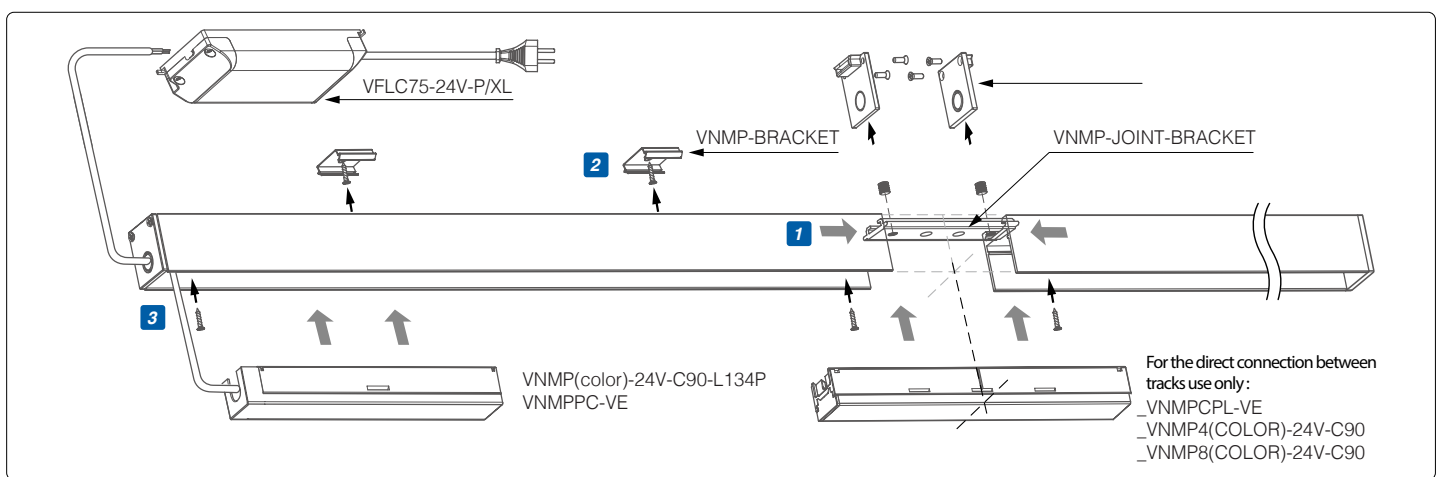
VARIOUS OPTIONS



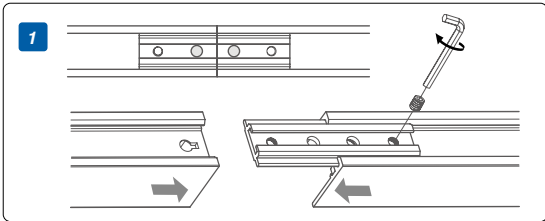
INSTALLATION



Extrusion length	Cutting extrusions
1.97' (600mm), 3.94' (1200mm), 7.87' (2400mm)	<p> Keep this array: VNMP-FIX-CAP / Rail/ NMP-FIX-CAP (Rail length+1.18" (30mm) = Track length) </p>

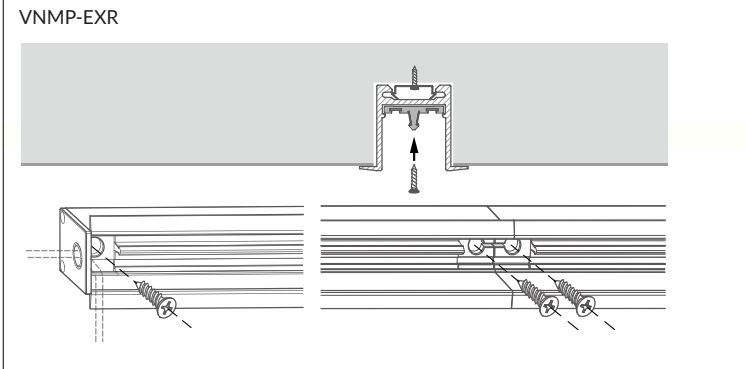
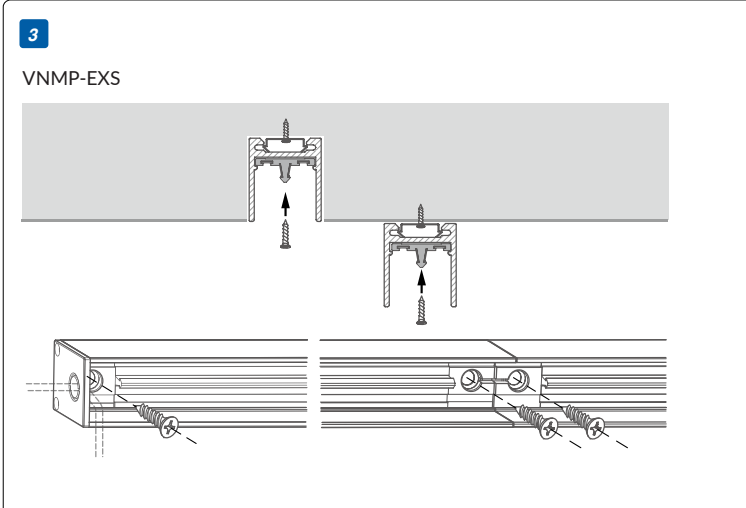


INSTALLATION (CONTINUED)



2 VNMP-EXS,EXR-Bracket

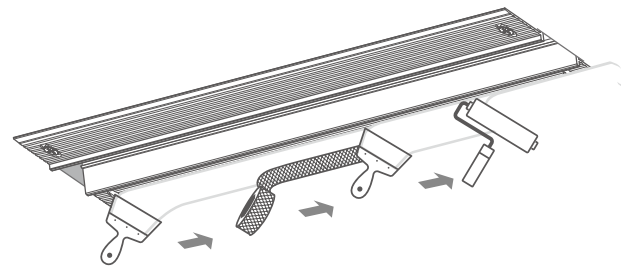
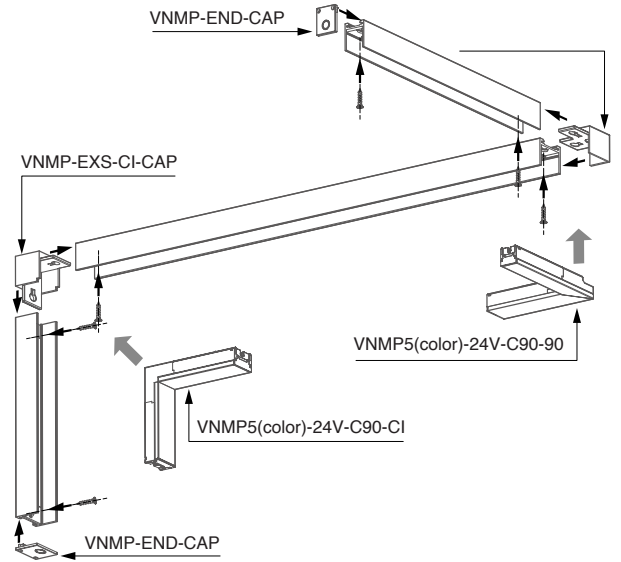
Extrusion	Bracket Quantity	Bracket Interval
1.97'(600mm)	0EA	-
3.94'(1200mm)	2EA	1.31'(400mm)
7.87'(2400mm)	5EA	1.31'(400mm)

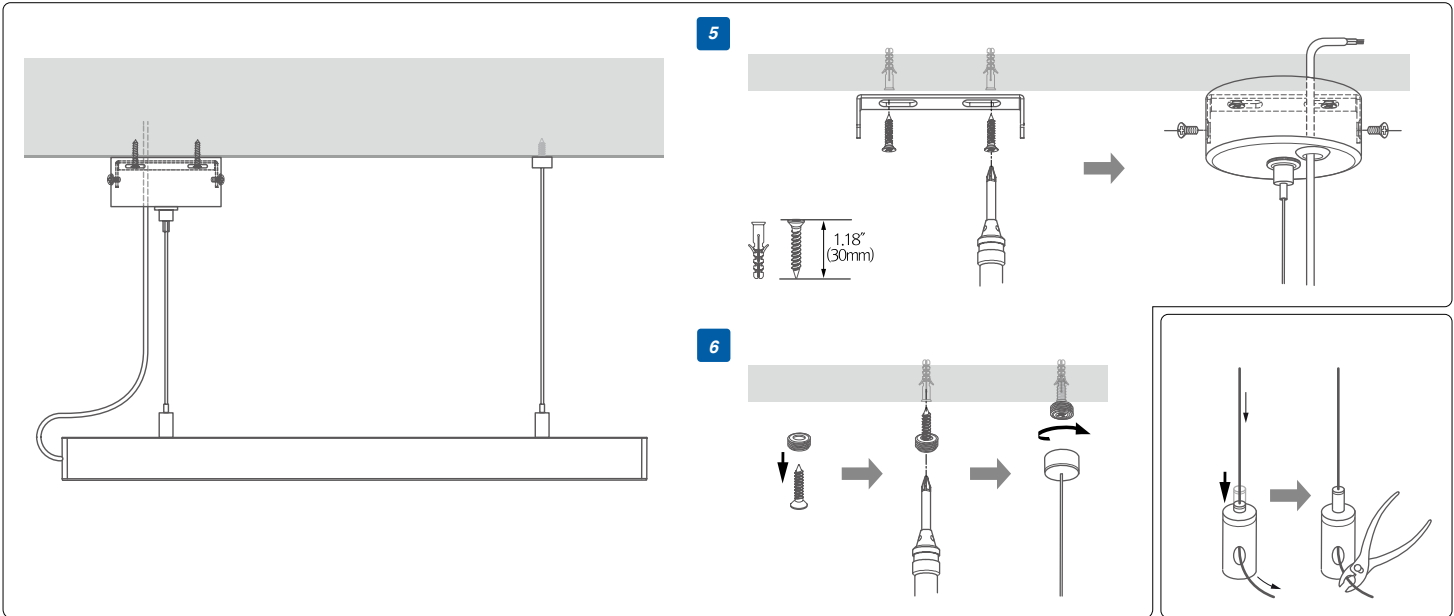
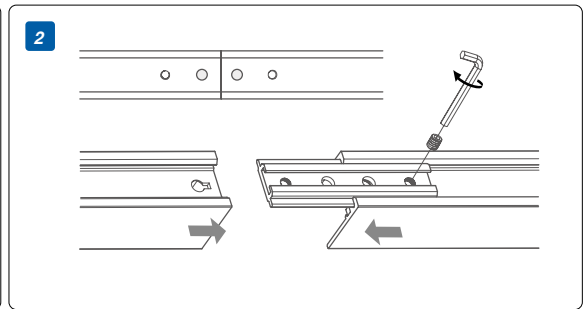
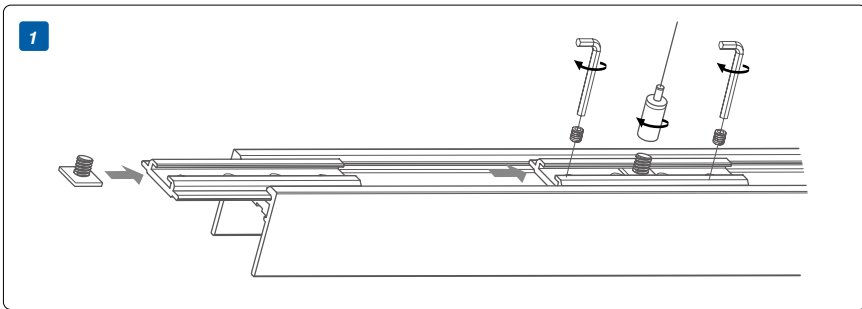
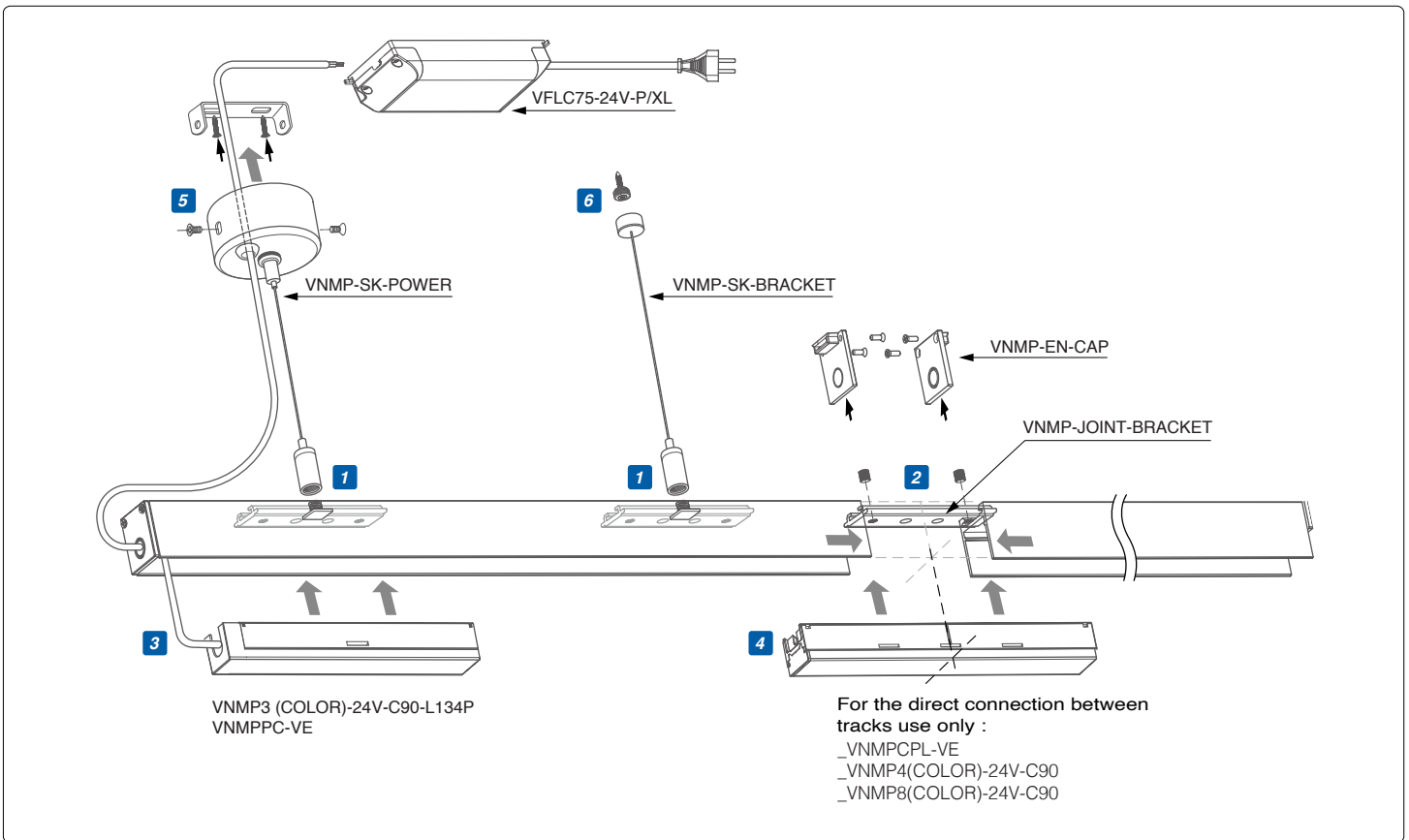


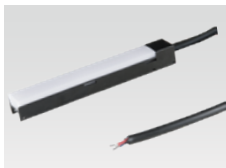
VNMP-EXT

* Brackets are not required

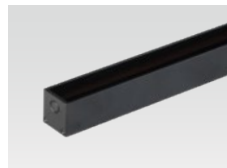
Extrusion(L)	1.97'(600mm)	3.94'(1200mm)	7.87'(2400mm)
Hole Point	2X2EA	3X2EA	5X2EA







LED Power Connector
 _VNMP3(color)-24V-C90-L134P-BK
 _VNMP3(color)-24V-C90-L134P-WT



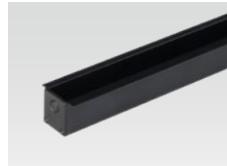
Surface Track
 _VNMP-EXS-BK
 _VNMP-EXS-WT



LED Drivers
 With distributor and power cord 1800mm(6')
 _VFLC30-24V/XL
 _VFLC75-24V-P/XL



Power Connector
 _VNMPPC-VE-BK
 _VNMPPC-VE-WT



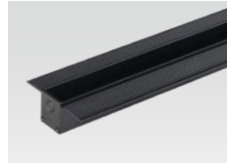
Recessed Track
 _VNMP-EXR-BK
 _VNMP-EXR-WT



12 Port Hub
 _VD12P-HUB
 Included with Cord and Plug drivers. Order separately for Hard Wire or 3rd Party Drivers



Direct Connector
 _VNMPCL-VE-BK
 _VNMPCL-VE-WT



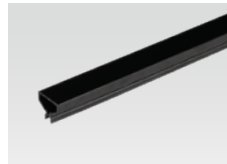
Trimless Track
 _VNMP-EXT-BK
 _VNMP-EXT-WT



Hard Wire Driver
 (90V to 300V)
 _VXLAV80(L)-124V-SSB
 _VXLD200-224V-FCL-DIM
 _VXLD75-124V-FC



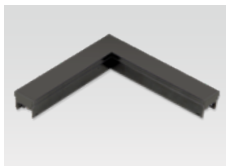
Corner In Connector
 _VNMPCL-CI-BK
 _VNMPCL-CI-WT



Track Cover
 _VNMP-TRACK-COVER-BK
 _VNMP-TRACK-COVER-WT



Door and motion sensor
 _VFLS-M24V



90° Connector
 _VNMPCL-90-BK
 _VNMPCL-90-WT



Surface Track Corner In Cap
 _VNMP-EXS-CI-CAP-BK
 _VNMP-EXS-CI-CAP-WT



Occupancy Sensor
 _VFLS-P24V



Surface Track 90° Cap
 _VNMP-EXS-90-CAP-BK
 _VNMP-EXS-90-CAP-WT



Dimming Interface (0-10V)
 _VFDC-L10
 Max. 100W (100W/CH, 1 CH)



Pendent Suspension Power Kit
 _VNMP-SK-POWER



Fixture Remover
 _VNMP-REMOVER



Pendent Suspension Bracket
 _VNMP-SK-BRACKET



Track End Cap
 _VNMP-END-CAP
 Included with Track



Track Joint Bracket
 _VNMP-JOINT-BRACKET



Standard mounting bracket
 _VNMP-BRACKET1
 Included with track