

PROJECT:

TYPE:

CATALOG #:

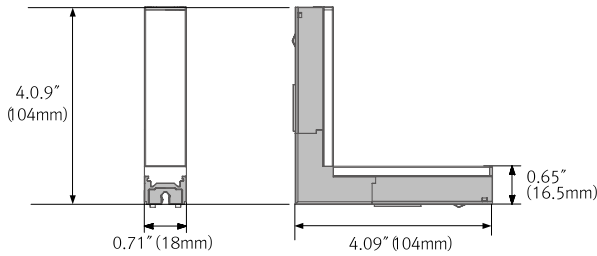
DATE:

## VNMP5 CORNER IN

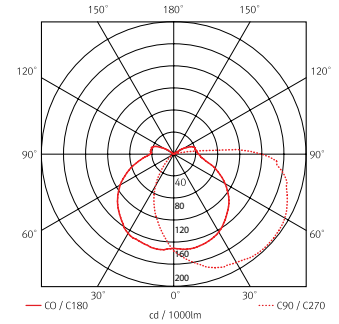


Model Name	Power Input	Lamp Power	Luminous Flux	Luminous Efficacy	Color Rendering Index	Color Temperature(CCT)	Beam Angle	Operating Temperature
VNMP5 (color)-24V-C90-CI	DC 24V	5.1 W	305.7 lm	60.1 lm/W	CRI > 90	2700K/3000K/3500K/4000K	-	32-113°F

Performance data shown above for 4000K CCT. Refer to individual luminaire IES files for other CCT options.



VNMP5 40K-24V-C90-CI  
305.7lm, 60.1lm/W



### ORDERING GUIDE

MODEL	COLOR TEMPERATURE(CCT)	VOLTAGE	BODY FINISH
VNMP-5CI		24V	
VNMP-5CI	27K -2700K 30K -3000K 35K -3500K 40K -4000K		BK -Black WT -White

### PRODUCT FEATURES

- High-end slim linear LED with Spot-free illumination
- Optional Mini Spotlight available with or without Dimming Touch Sensor
- Easy installation with Magnetic rail system
- Surface, Recessed and Pendant mount track options
- Optional illuminated power feed
- Dimmable

### PRODUCT SPECIFICATIONS

- Voltage: DC 24V
- Operating Temperature: 32-113°(0-45°)
- Lamp Life: 50,000 hrs / 70%
- Available CCTs: 2700K, 3000K, 3500K, 4000K
- Color Rendering Index: CRI > 90
- Finishes: Black,White
- Dimming : Forward/Reverse Phase, 0-10V (with interface)
- 5 year Warranty

### NOTES

### RELATED PRODUCTS AVAILABLE:

VNMP-590



VNMPCL-CI



## EXTRUSION TYPE

**SURFACE**

VNMP-EXS	VNMP-FIX-CAP	VNMP-END-CAP	VNMP-EXS-CI-CAP	VNMP-EXS-90-CAP	VNMP-BRACKET	VNMP-JOINT BRACKET

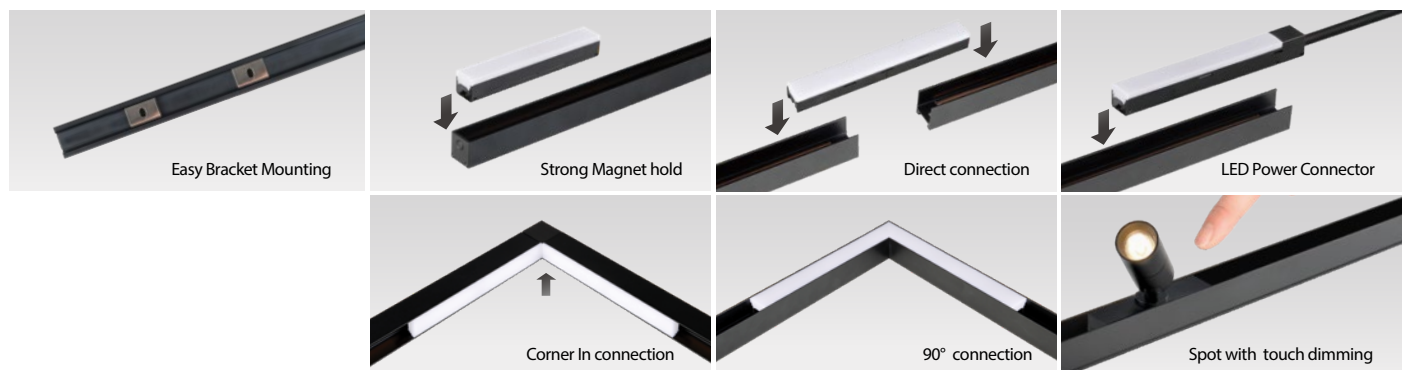
**RECESSED**

VNMP-EXR	VNMP-FIX-CAP	VNMP-END-CAP	VNMP-BRACKET	VNMP-JOINT BRACKET

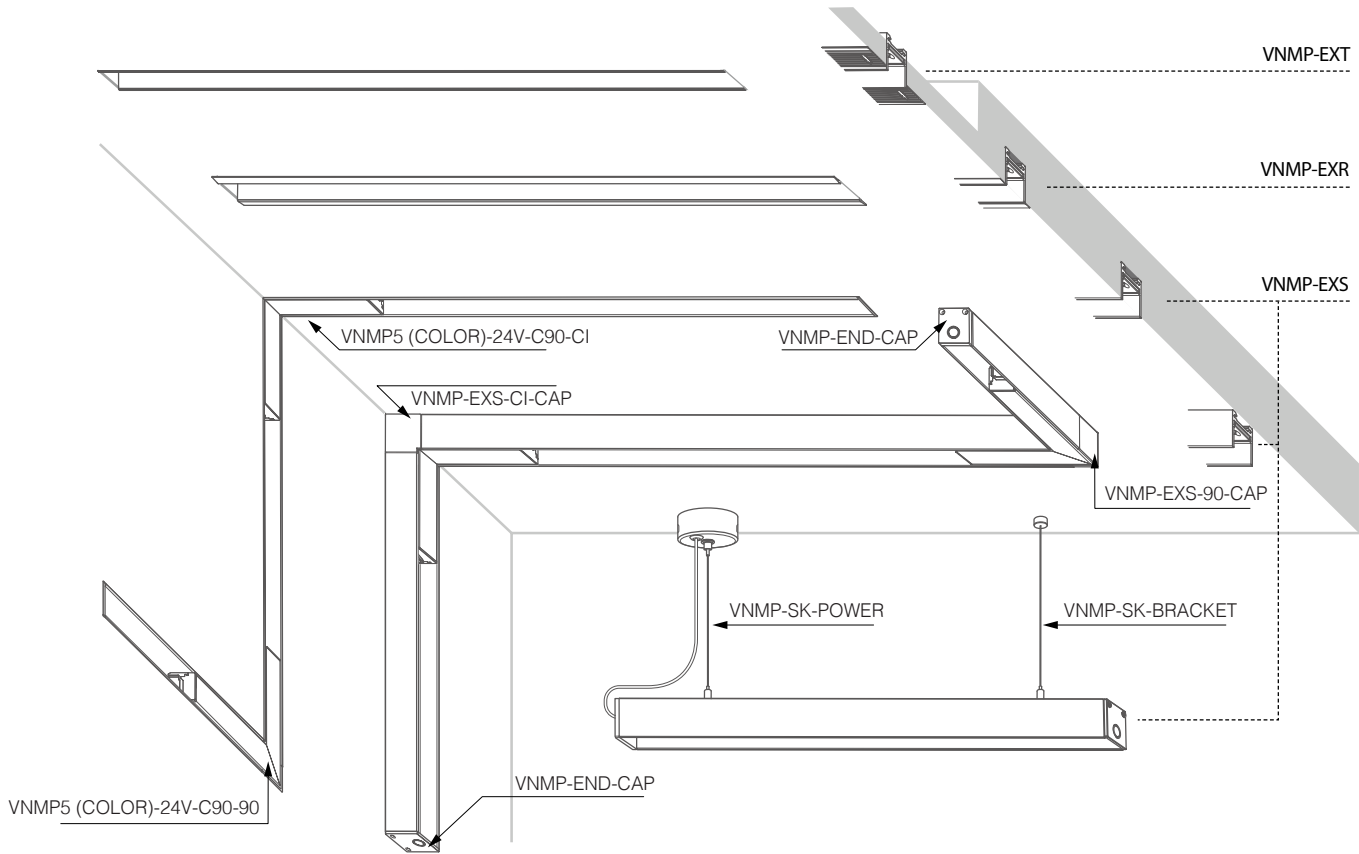
**TRIMLESS**

VNMP-EXT	VNMP-FIX-CAP	VNMP-END-CAP	VNMP-BRACKET	VNMP-JOINT BRACKET

## VARIOUS OPTIONS



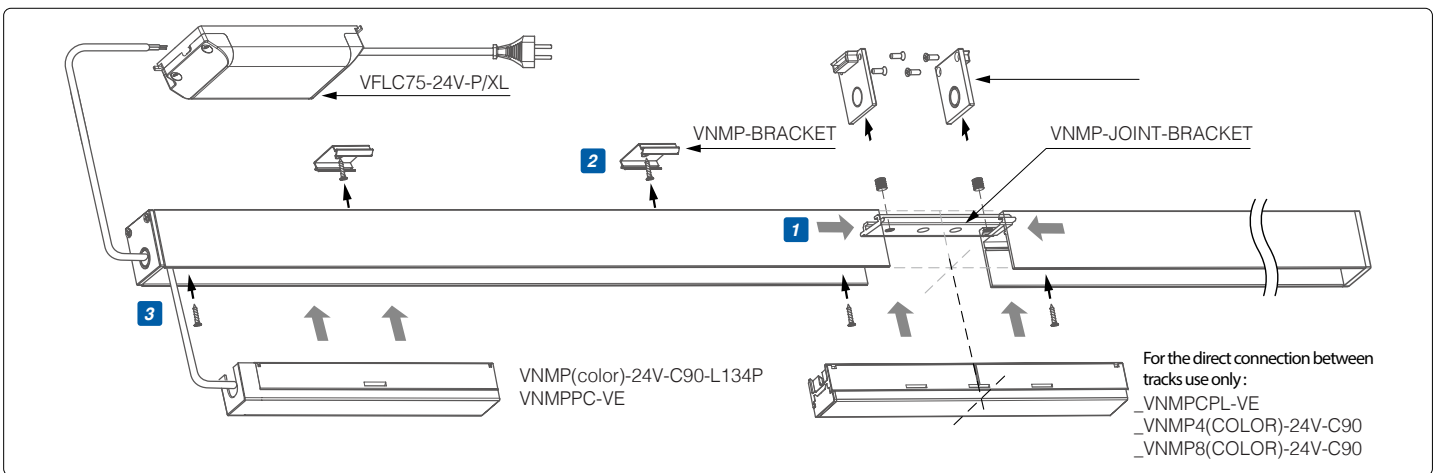
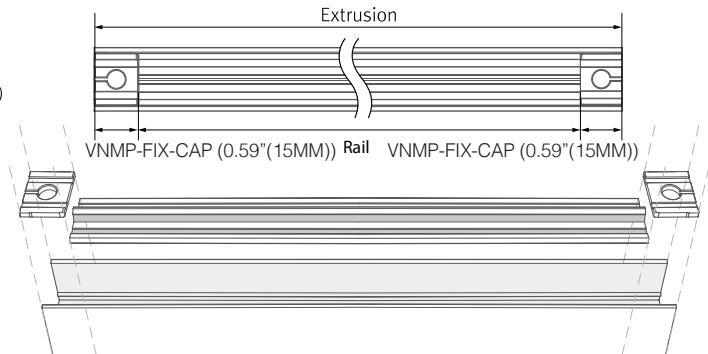
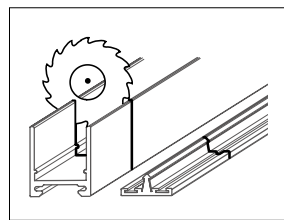
# INSTALLATION



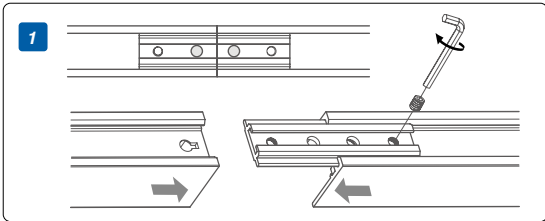
Extrusion length	Cutting extrusions
------------------	--------------------

1.97' (600mm),  
3.94' (1200mm),  
7.87' (2400mm)

**Keep this array:**  
VNMP-FIX-CAP / Rail/ NMP-FIX-CAP  
(Rail length+1.18" (30mm) = Track length)

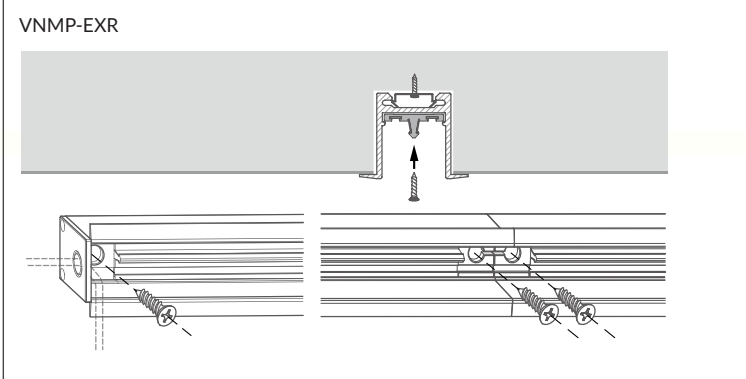
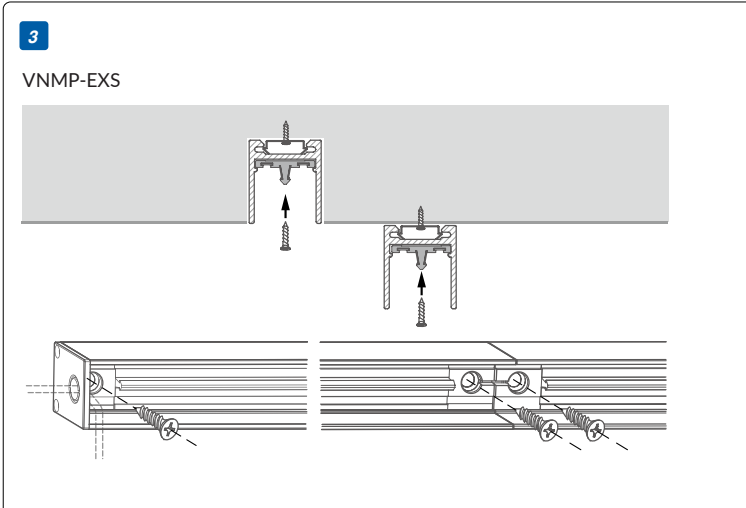


INSTALLATION (CONTINUED)



**2** VNMP-EXS,EXR-Bracket

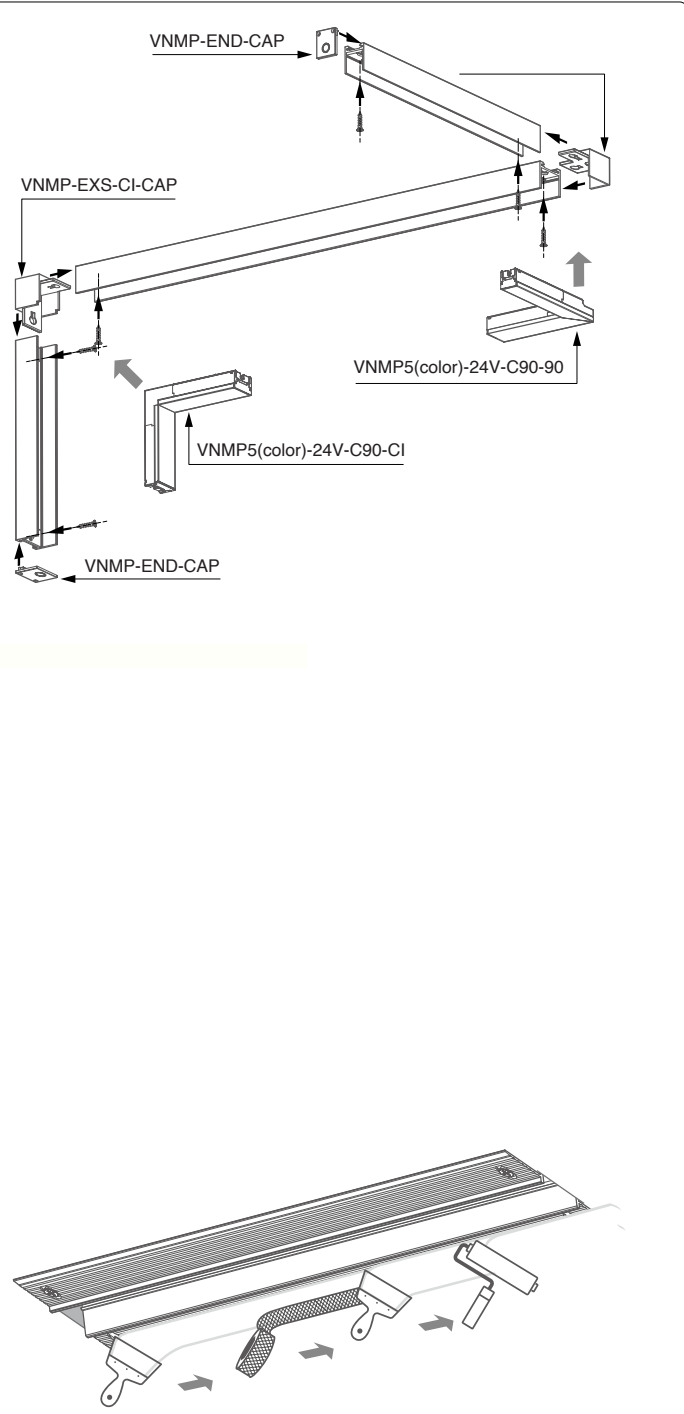
Extrusion	Bracket Quantity	Bracket Interval
1.97'(600mm)	0EA	-
3.94'(1200mm)	2EA	1.31'(400mm)
7.87'(2400mm)	5EA	1.31'(400mm)

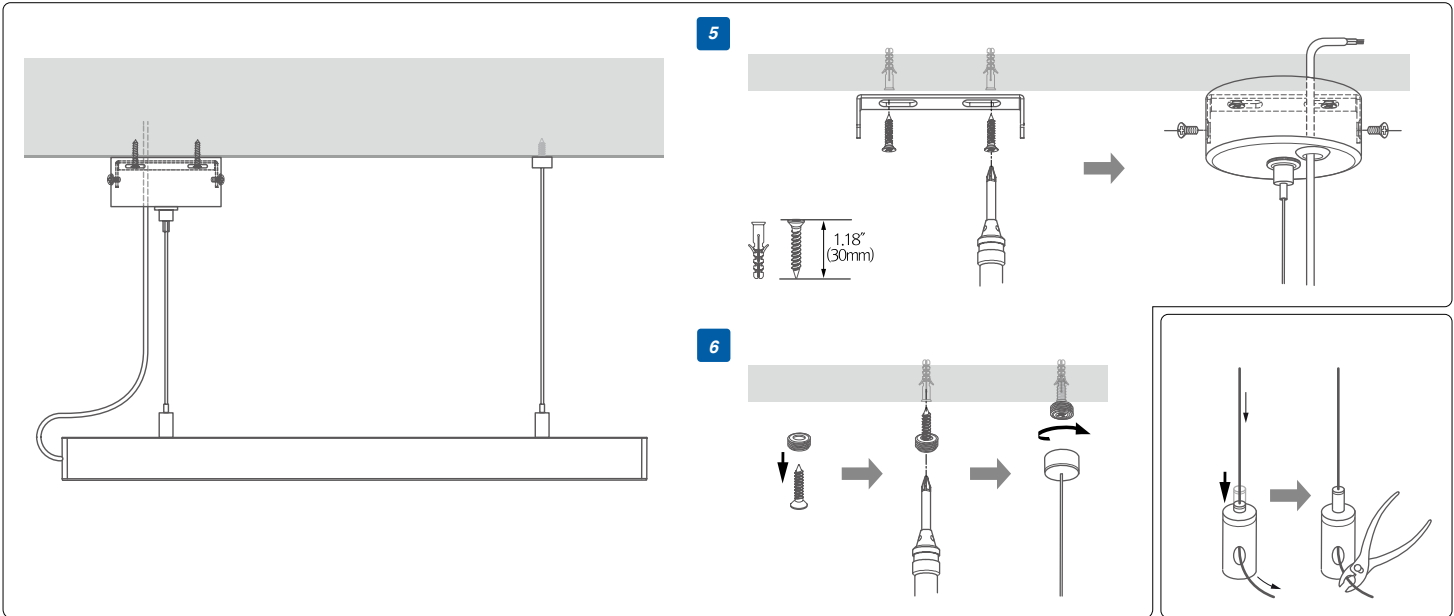
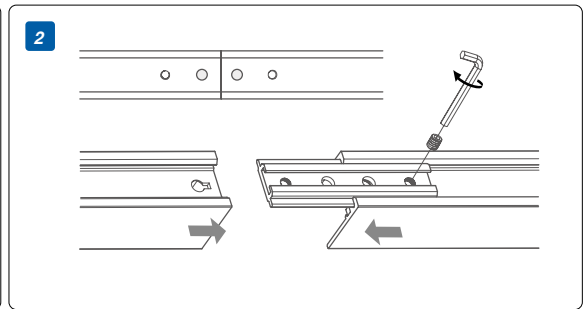
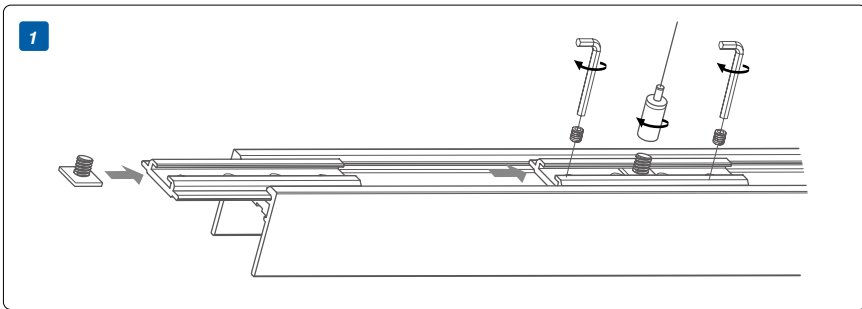
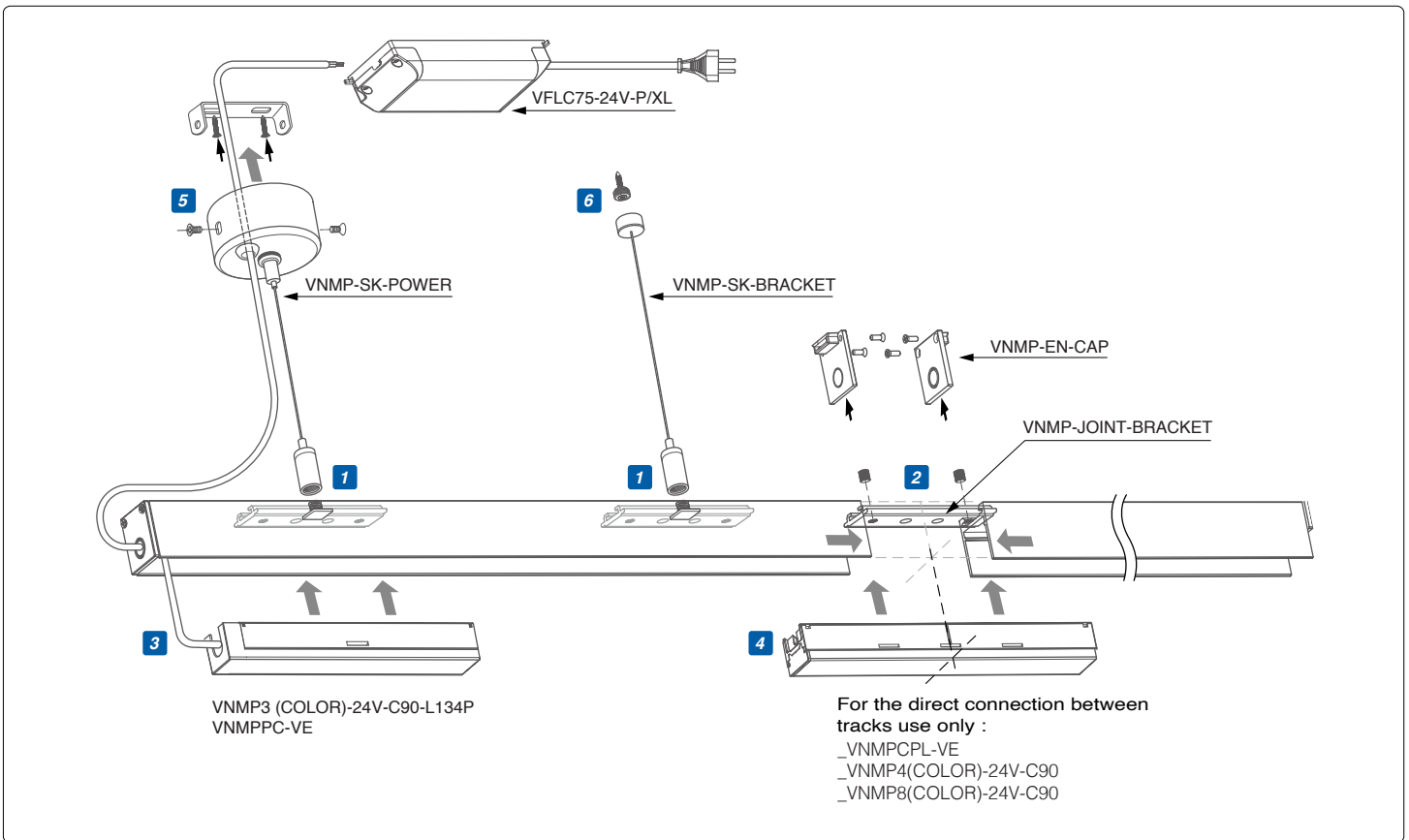


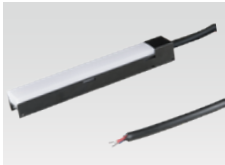
VNMP-EXT

\* Brackets are not required

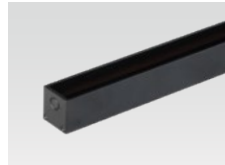
Extrusion(L)	1.97'(600mm)	3.94'(1200mm)	7.87'(2400mm)
Hole Point	2X2EA	3X2EA	5X2EA







**LED Power Connector**  
 \_VNMP3(color)-24V-C90-L134P-BK  
 \_VNMP3(color)-24V-C90-L134P-WT



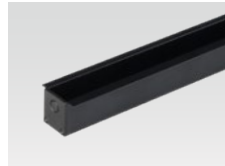
**Surface Track**  
 \_VNMP-EXS-BK  
 \_VNMP-EXS-WT



**LED Drivers**  
 With distributor and power cord 1800mm(6')  
 \_VFLC30-24V/XL  
 \_VFLC75-24V-P/XL



**Power Connector**  
 \_VNMPPC-VE-BK  
 \_VNMPPC-VE-WT



**Recessed Track**  
 \_VNMP-EXR-BK  
 \_VNMP-EXR-WT



**12 Port Hub**  
 \_VD12P-HUB  
 Included with Cord and Plug drivers. Order separately for Hard Wire or 3rd Party Drivers



**Direct Connector**  
 \_VNMPCL-VE-BK  
 \_VNMPCL-VE-WT



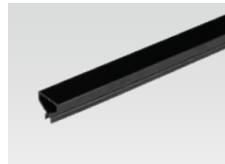
**Trimless Track**  
 \_VNMP-EXT-BK  
 \_VNMP-EXT-WT



**Hard Wire Driver**  
 (90V to 300V)  
 \_VXLAV80(L)-124V-SSB  
 \_VXLD200-224V-FCL-DIM  
 \_VXLD75-124V-FC



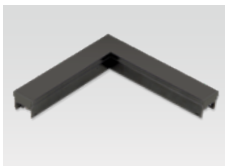
**Corner In Connector**  
 \_VNMPCL-CI-BK  
 \_VNMPCL-CI-WT



**Track Cover**  
 \_VNMP-TRACK-COVER-BK  
 \_VNMP-TRACK-COVER-WT



**Door and motion sensor**  
 \_VFLS-M24V



**90° Connector**  
 \_VNMPCL-90-BK  
 \_VNMPCL-90-WT



**Surface Track Corner In Cap**  
 \_VNMP-EXS-CI-CAP-BK  
 \_VNMP-EXS-CI-CAP-WT



**Occupancy Sensor**  
 \_VFLS-P24V



**Surface Track 90° Cap**  
 \_VNMP-EXS-90-CAP-BK  
 \_VNMP-EXS-90-CAP-WT



**Dimming Interface (0-10V)**  
 \_VFDC-L10  
 Max. 100W (100W/CH, 1 CH)



**Pendent Suspension Power Kit**  
 \_VNMP-SK-POWER



**Fixture Remover**  
 \_VNMP-REMOVER



**Pendent Suspension Bracket**  
 \_VNMP-SK-BRACKET



**Track End Cap**  
 \_VNMP-END-CAP  
 Included with Track



**Track Joint Bracket**  
 \_VNMP-JOINT-BRACKET



**Standard mounting bracket**  
 \_VNMP-BRACKET1  
 Included with track