

PROJECT:

TYPE:

CATALOG #:

DATE:

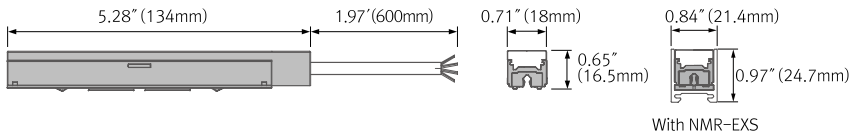
VNMP3-L134P



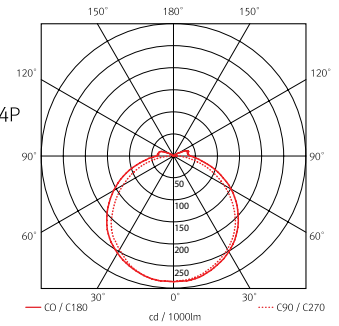
MonoRail 2 3W Length (134mm)

Model Name	Power Input	Lamp Power	Luminous Flux	Luminous Efficacy	Color Rendering Index	Color Temperature(CCT)	Beam Angle	Operating Temperature
VNMP3 (color)-24V-C90-L134P	DC 24V	2.9 W	211.4 lm	72.8 lm/W	CRI > 90	2700K/3000K/3500K/4000K	125°	32-113°F

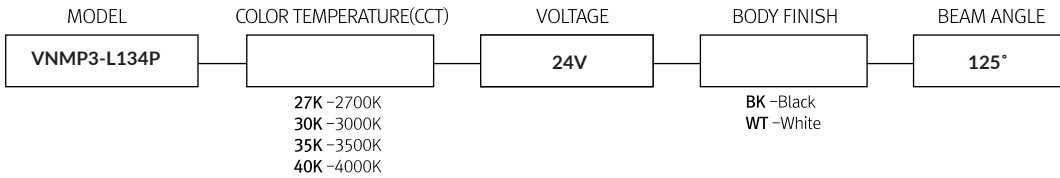
Performance data shown above for 4000K CCT. Refer to individual luminaire IES files for other CCT options.



VNMP3 40K-24V-C90-L134P
259.6lm, 100.2lm/W



ORDERING GUIDE



PRODUCT FEATURES

- High-end slim linear LED with Spot-free illumination
- Optional Mini Spotlight available with or without Dimming Touch Sensor
- Easy installation with Magnetic rail system
- Surface, Recessed and Pendant mount track options
- Optional illuminated power feed
- Dimmable

PRODUCT SPECIFICATIONS

- Voltage: DC 24V
- Operating Temperature: 32-113°(0-45°)
- Lamp Life: 50,000 hrs / 70%
- Available CCTs: 2700K, 3000K, 3500K, 4000K
- Color Rendering Index: CRI > 90
- Finishes: Black, White
- Dimming : Forward/Reverse Phase, 0-10V (with interface)
- 5 year Warranty

NOTES

RELATED PRODUCTS AVAILABLE:



EXTRUSION TYPE

SURFACE

VNMP-EXS	VNMP-FIX-CAP	VNMP-END-CAP	VNMP-EXS-CI-CAP	VNMP-EXS-90-CAP	VNMP-BRACKET	VNMP-JOINT BRACKET

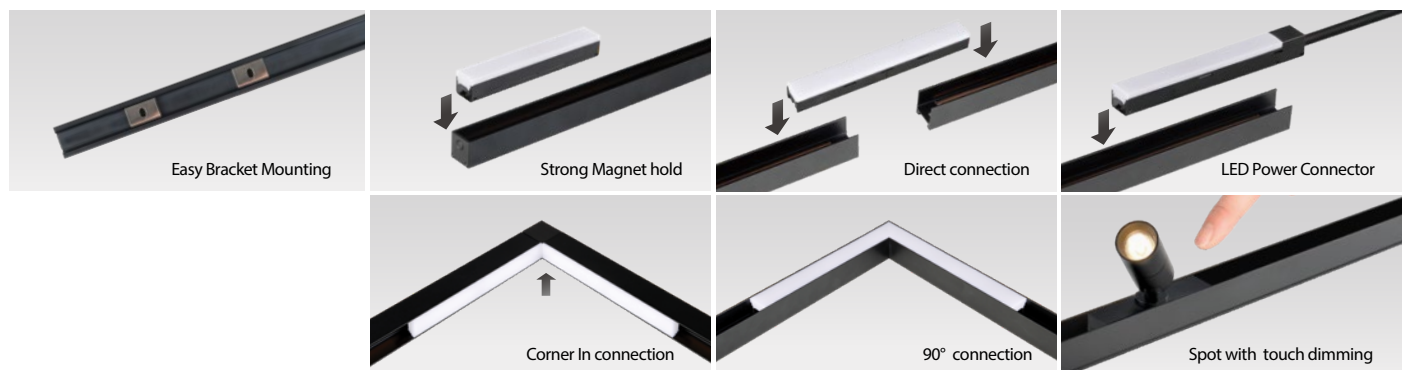
RECESSED

VNMP-EXR	VNMP-FIX-CAP	VNMP-END-CAP	VNMP-BRACKET	VNMP-JOINT BRACKET

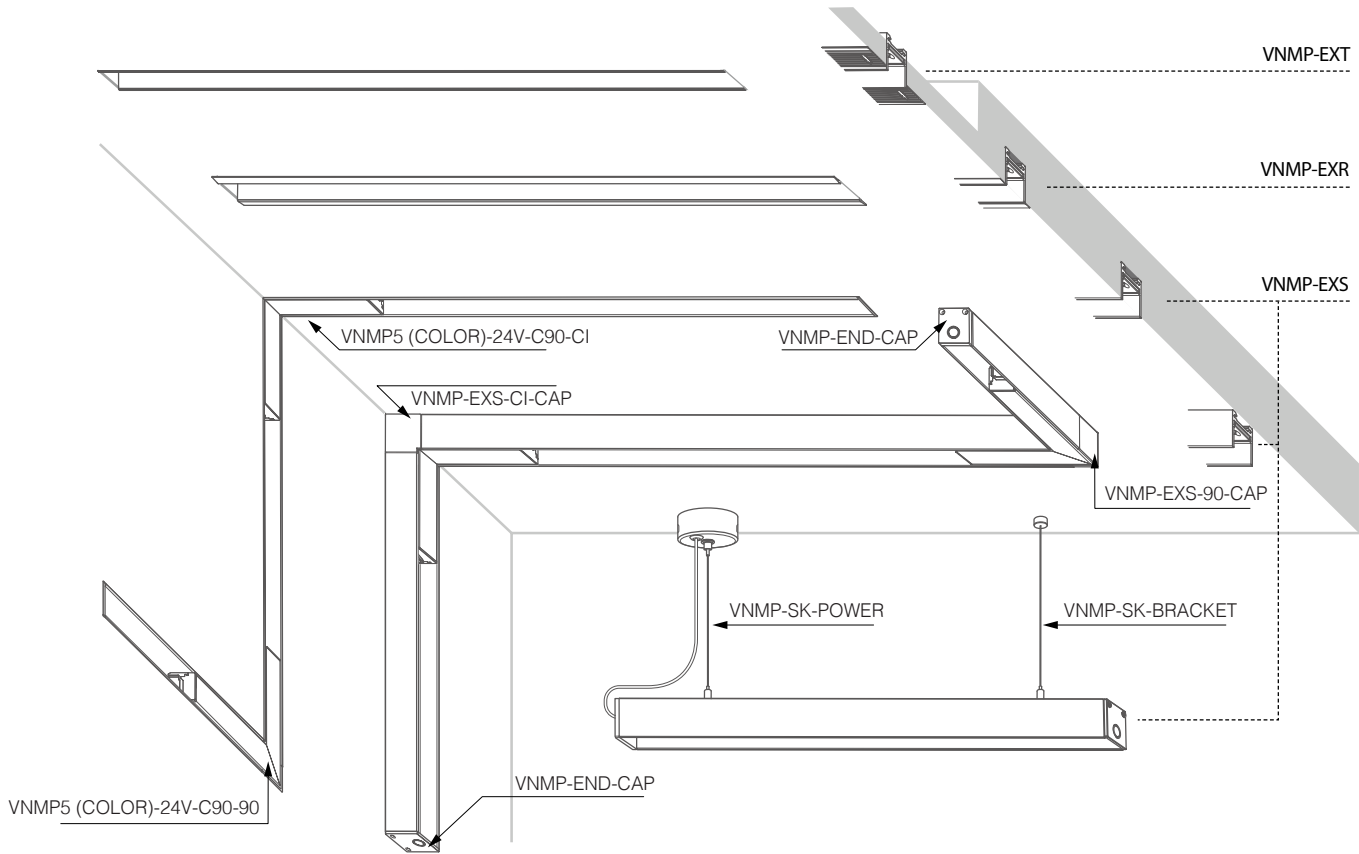
TRIMLESS

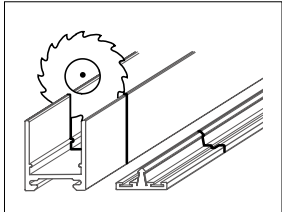
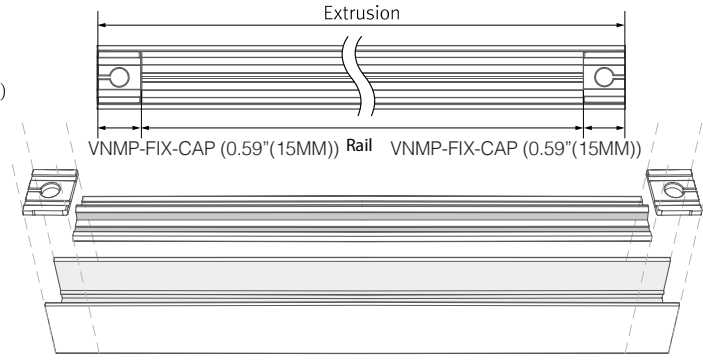
VNMP-EXT	VNMP-FIX-CAP	VNMP-END-CAP	VNMP-BRACKET	VNMP-JOINT BRACKET

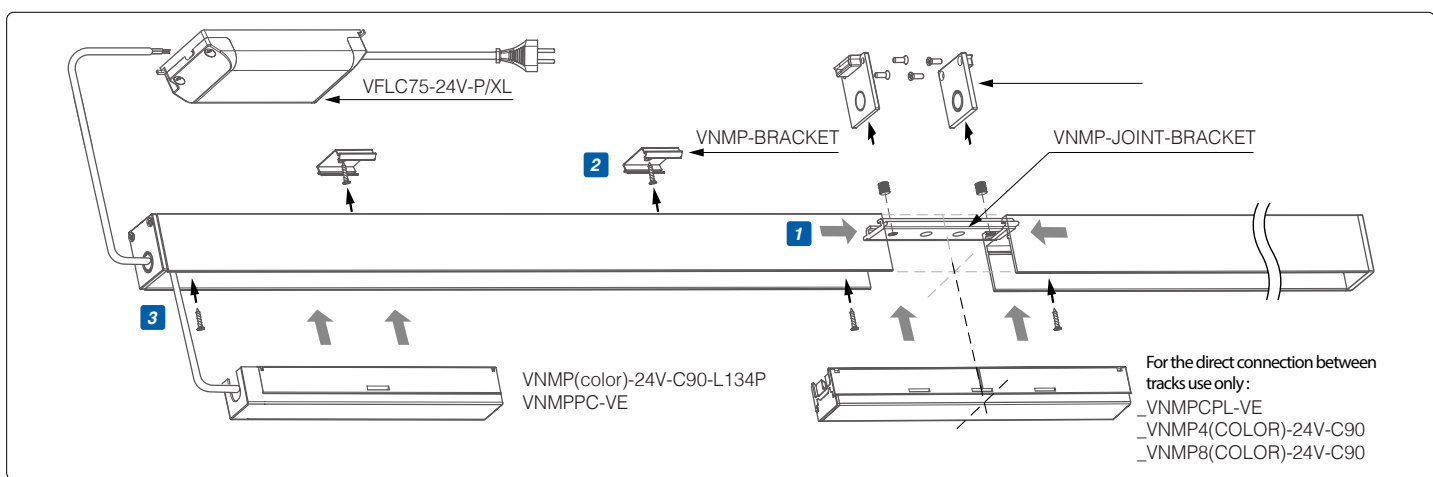
VARIOUS OPTIONS



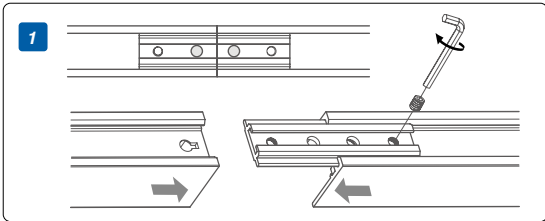
INSTALLATION



Extrusion length	Cutting extrusions
1.97' (600mm), 3.94' (1200mm), 7.87' (2400mm)	<p>Keep this array: VNMP-FIX-CAP / Rail/ NMP-FIX-CAP (Rail length+1.18" (30mm) = Track length)</p>  

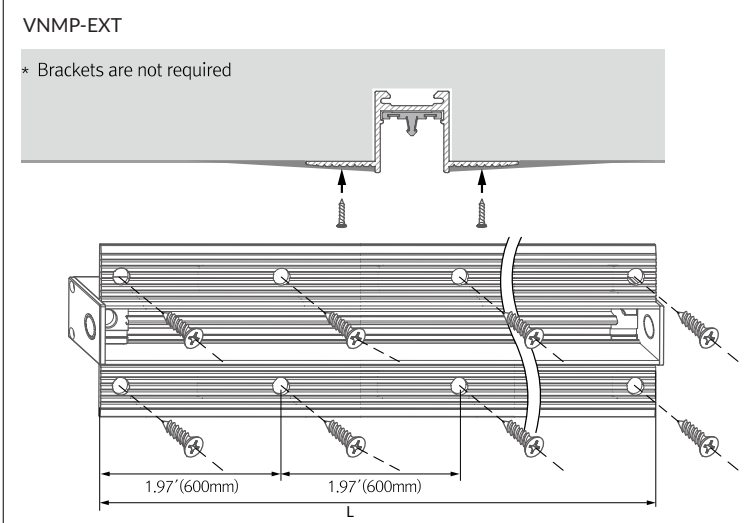
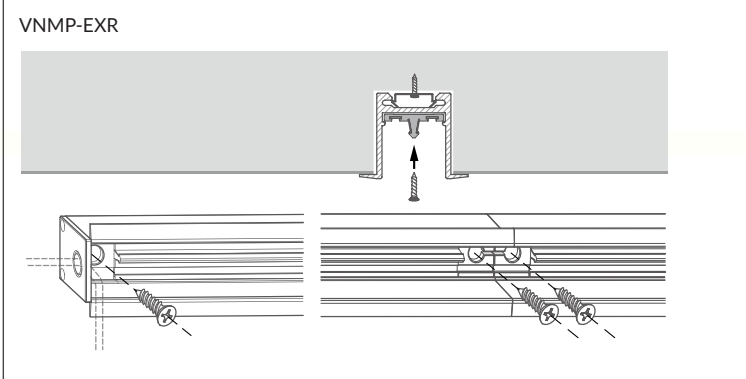
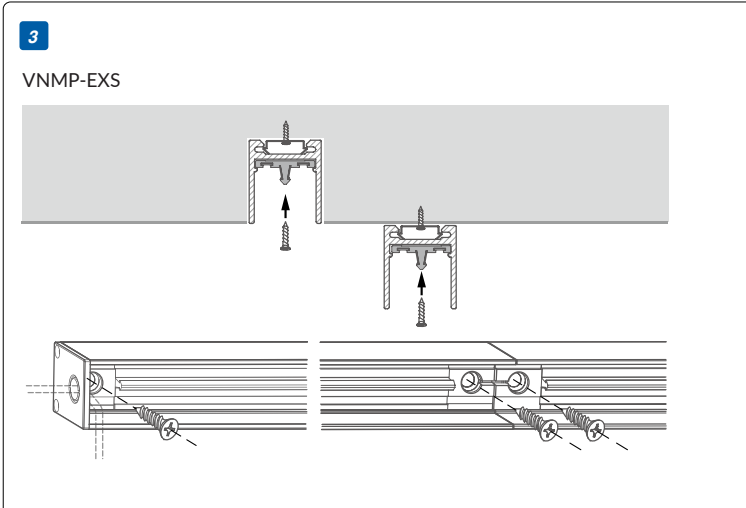


INSTALLATION (CONTINUED)

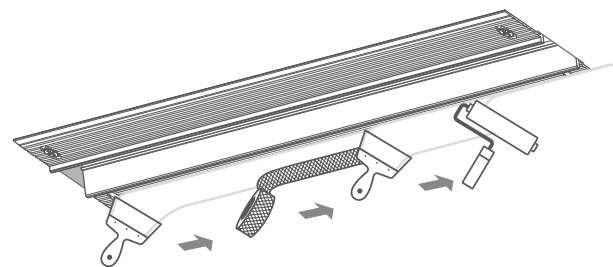
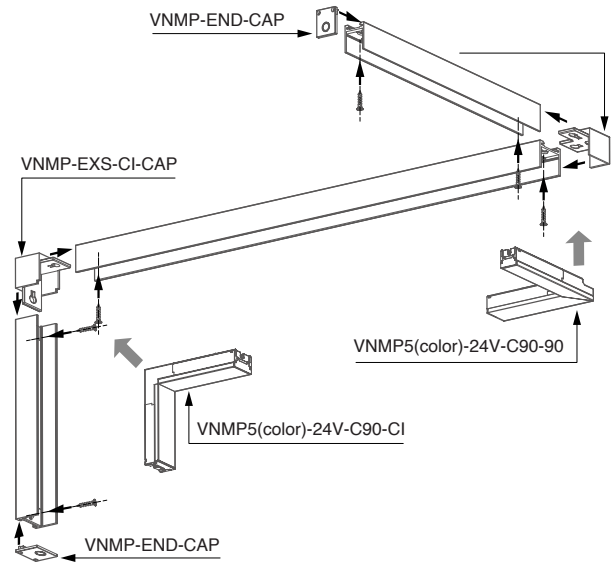


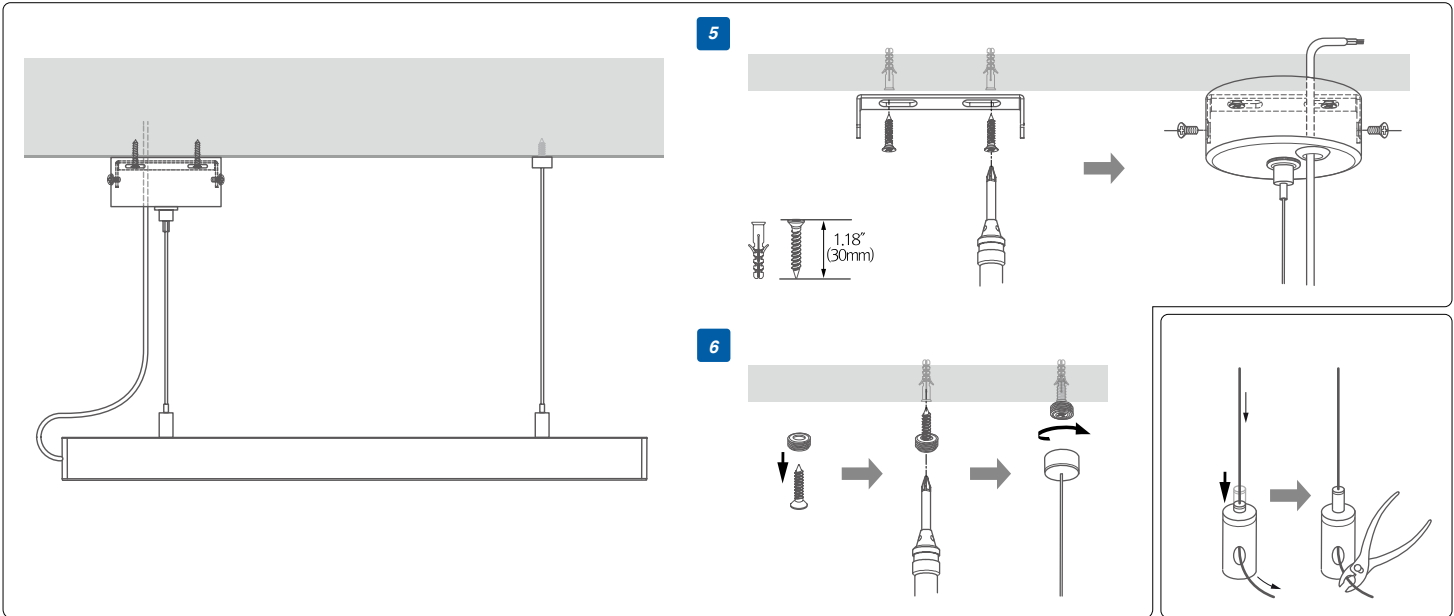
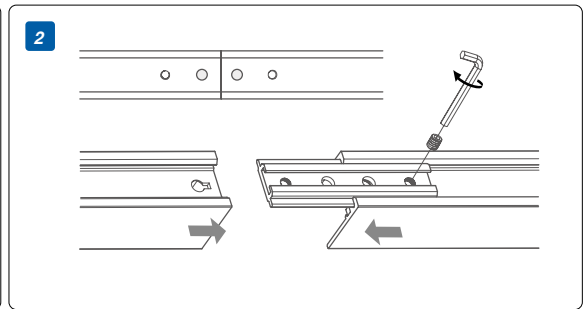
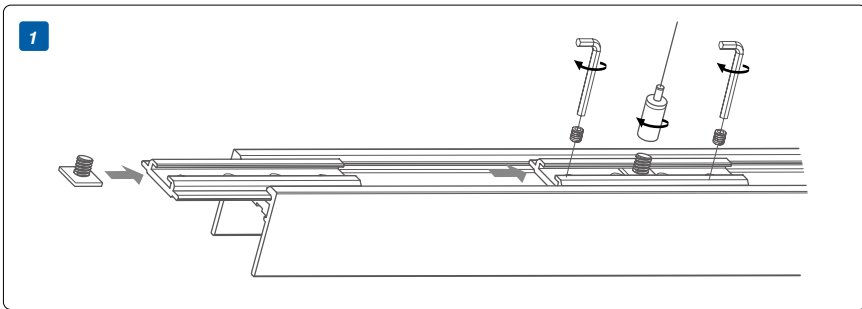
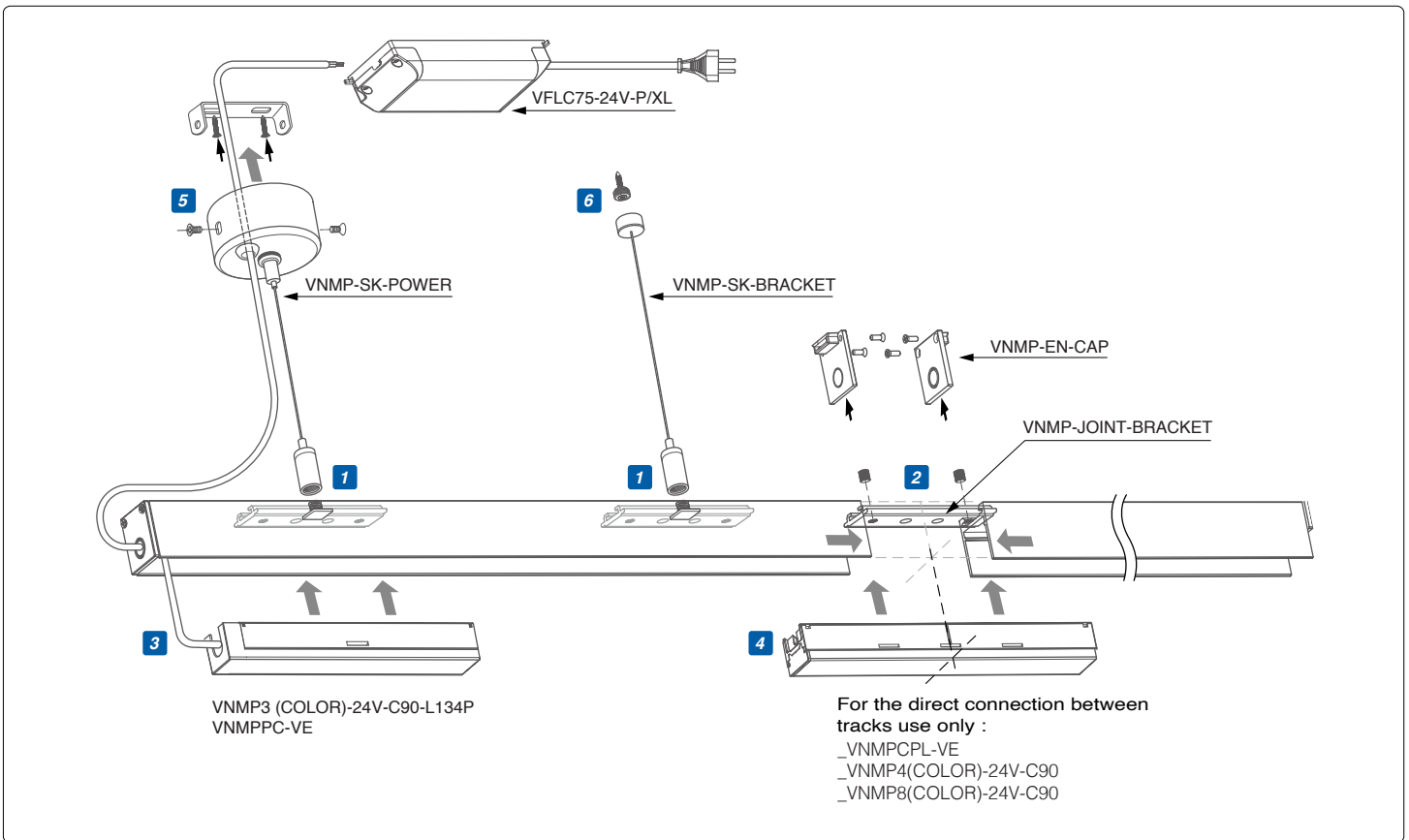
2 VNMP-EXS,EXR-Bracket

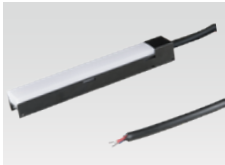
Extrusion	Bracket Quantity	Bracket Interval
1.97'(600mm)	0EA	-
3.94'(1200mm)	2EA	1.31'(400mm)
7.87'(2400mm)	5EA	1.31'(400mm)



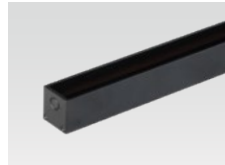
Extrusion(L)	1.97'(600mm)	3.94'(1200mm)	7.87'(2400mm)
Hole Point	2X2EA	3X2EA	5X2EA







LED Power Connector
 _VNMP3(color)-24V-C90-L134P-BK
 _VNMP3(color)-24V-C90-L134P-WT



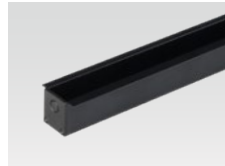
Surface Track
 _VNMP-EXS-BK
 _VNMP-EXS-WT



LED Drivers
 With distributor and power cord 1800mm(6')
 _VFLC30-24V/XL
 _VFLC75-24V-P/XL



Power Connector
 _VNMPPC-VE-BK
 _VNMPPC-VE-WT



Recessed Track
 _VNMP-EXR-BK
 _VNMP-EXR-WT



12 Port Hub
 _VD12P-HUB
 Included with Cord and Plug drivers. Order separately for Hard Wire or 3rd Party Drivers



Direct Connector
 _VNMPCL-VE-BK
 _VNMPCL-VE-WT



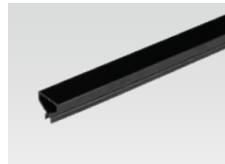
Trimless Track
 _VNMP-EXT-BK
 _VNMP-EXT-WT



Hard Wire Driver
 (90V to 300V)
 _VXLAV80(L)-124V-SSB
 _VXLD200-224V-FCL-DIM
 _VXLD75-124V-FC



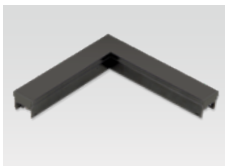
Corner In Connector
 _VNMPCL-CI-BK
 _VNMPCL-CI-WT



Track Cover
 _VNMP-TRACK-COVER-BK
 _VNMP-TRACK-COVER-WT



Door and motion sensor
 _VFLS-M24V



90° Connector
 _VNMPCL-90-BK
 _VNMPCL-90-WT



Surface Track Corner In Cap
 _VNMP-EXS-CI-CAP-BK
 _VNMP-EXS-CI-CAP-WT



Occupancy Sensor
 _VFLS-P24V



Surface Track 90° Cap
 _VNMP-EXS-90-CAP-BK
 _VNMP-EXS-90-CAP-WT



Dimming Interface (0-10V)
 _VFDC-L10
 Max. 100W (100W/CH, 1 CH)



Pendent Suspension Power Kit
 _VNMP-SK-POWER



Fixture Remover
 _VNMP-REMOVER



Pendent Suspension Bracket
 _VNMP-SK-BRACKET



Track End Cap
 _VNMP-END-CAP
 Included with Track



Track Joint Bracket
 _VNMP-JOINT-BRACKET



Standard mounting bracket
 _VNMP-BRACKET1
 Included with track