

Integrated LED Flat Recessed Panel By VONN Lighting

VFPR22CCTEM / VFPR24CCTEM CCT & Wattage Adjustable

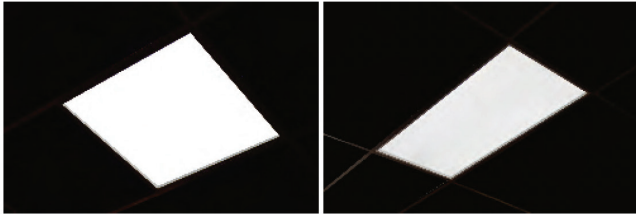


PROJECT:

TYPE:

CATALOG#:

DATE:



DESCRIPTION

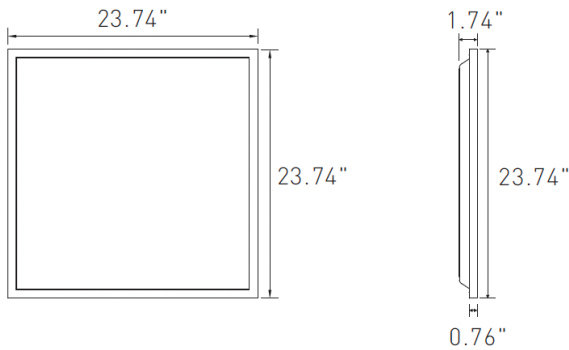
Designed to deliver an unprecedented uniformity and functionality, this back-lit panel features a compact yet sturdy aluminum construction designed to blend into modern architectural spaces. Featuring a low profile form factor, it is ideal for buildings with a low plenum space and is suitable for all standard 2x2, or 2x4 grid ceilings. This creates a soft and comfortable lighting experience for commercial and institutional spaces including open offices, classrooms, retail and healthcare facilities, goes beyond what was previously possible with traditional LED luminaires.

FEATURES

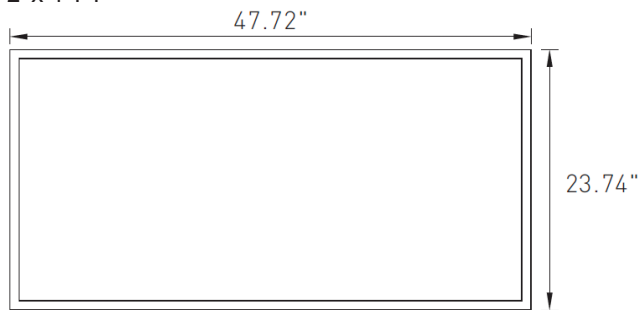
- Low profile design
- Uniform and soft illumination with back-lit technology
- CCT selectable from 3500k, 4000k and 5000k
- Wattage adjustable, up to 110lm/W
- **Emergency back up driver**

DIMENSIONS

2' x 2' FT

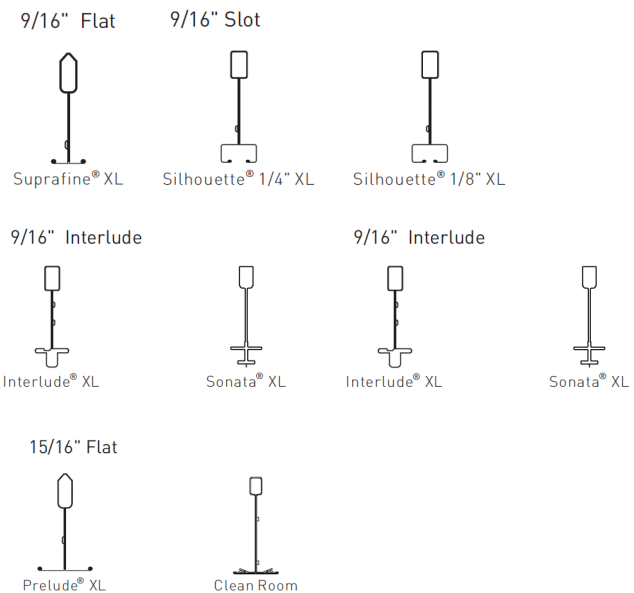


2' x 4' FT



T-GRIDS CEILING COMPATIBILITY

It is architectural recessed lighting solution that compatible with most 15/16" and 9/16" t-grid systems for commercial and institutional environment. The following are only as some common examples to show.



PERFORMANCE

MODEL	SIZE	WATTAGE ADJUSTABLE	LUMENS			EFFICACY	CCT ADJUSTABLE
			HIGH	MEDIUM	LOW		
VFPR22CCTEM	2' X 2' FT	35W/30W/25W	3850lm	3300lm	2750lm	Up to 110lm/w	3500K/4000K/5000K
VFPR24CCTEM	2' X 4' FT	50W/40W/30W	5500lm	4400lm	3300lm	Up to 110lm/w	3500K/4000K/5000K

Theoretical Lumens: XXX LM (subject to change)

Theoretical Wattage: XXX W (subject to change)

***Please note lumens and wattage are subject to change and will be determined post production of the first articles.

*Any custom modifications are subject to minimum order quantity. (M.O.Q.)

© VONN Lighting, 2024



Integrated LED Flat Recessed Panel By VONN Lighting



VFPR22CCTEM / VFPR24CCTEM CCT & Wattage Adjustable

PROJECT:

TYPE:

CATALOG#:

DATE:

STRUCTURE

• Finish

Extruded aluminum housing with powder coat white finish provides long term performance and superior aesthetic.

• Electrical

Driver: It is powered by Class 2 high efficiency LED driver, with a standard 1-10V dimming which continuous dims to 10% that works with many types of controls. Tested Dimmers: Lutron® Diva-Dvtv, Leviton ® IP-710-DL.

THD: <20%

Power Factor : >0.9

Input Voltage: Standard electronic driver is UL recognized and available for 110-277V or 110-347V* AC.

• LED System

CRI: Minimum 80 color rendering index

CCT: CCT selectable from 3500K, 4000K and 5000K with a great color consistency

LED: Life minimum 50,000h with 87.8% of lumen maintenance in 25°C ambient temperature, in compliance with IES LM-80 testing measurements.

Thermal : Aluminum housing acting as the heat sink to maximize life.
Management

Environment: Damp rated in operating ambient temperatures of -20~40°C.

• Mounting

Recessed

• Approvals

- cULus listed for damp locations
- Tested to IESNA LM-79 and LM-80
- DesignLights Consortium Qualified and classified for DLC standard/premium, refer to www.designlights.org for details
- 5 years limited warranty

• Optional Function

Emergency: Optional high voltage 8W emergency LED driver EM-H08170-LBF can be provided. When AC power fails, it immediately switches to the emergency mode, operating for lighting up to 120 minutes. When AC power is restored, it automatically returns to the charging mode which meets critical life-safety lighting requirements.



For more info or spec sheet, please visit our website or contact sales.

Emergency Lumen Output:

FIXTURE EFFICACY	OUTPUT POWER 8W
110Lm/w	800 Lumens

SAMPLE ORDERING SKU

1	2	3	4	5	6	7
VFPR	22	CCT	LUMENS	WATTAGE	DIMMING	VOLTAGE
1 - SKU	2 - SIZE	3 - CCT ADJUST	4 - LUMENS	5 - WATTAGE ADJUST	6 - DIMMING	7 - VOLTAGE
VFPR22CCTEM	22: 2' x 2' FT	3500K/4000K/5000K	3850lm / 3300lm / 2750lm	35W/30W/25W	1-10V	110-277V
VFPR24CCTEM	24: 2' x 4' FT	3500K/4000K/5000K	5500lm / 4400lm / 3300lm	50W/40W/30W	1-10V	110-277V

Theoretical Lumens: XXX LM (subject to change)

Theoretical Wattage: XXX W (subject to change)

***Please note lumens and wattage are subject to change and will be determined post production of the first articles.

*Any custom modifications are subject to minimum order quantity. (M.O.Q.)

© VONN Lighting, 2024



Integrated LED Flat Recessed Panel By VONN Lighting



VFPR22CCTEM / VFPR24CCTEM CCT & Wattage Adjustable

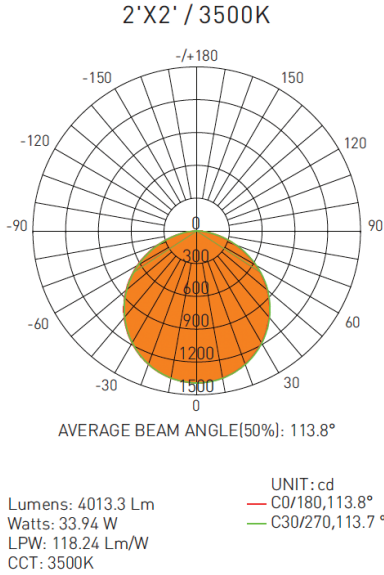
PROJECT:

TYPE:

CATALOG#:

DATE:

DISTRIBUTION DIAGRAM



Zonal Flux Diagram

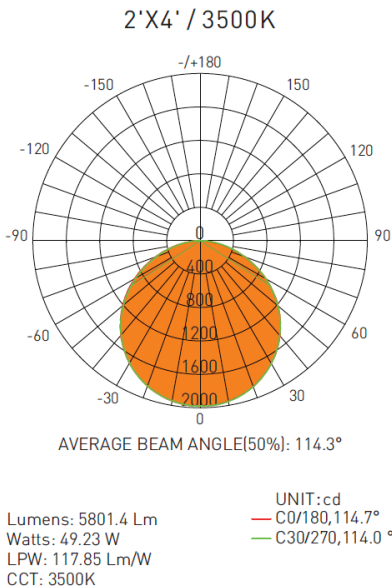
T	C0	C45	C90	C135	C180
10	1366	1367	1368	1368	1368
20	1297	1298	1300	1299	1299
30	1183	1186	1188	1187	1186
40	1030	1034	1036	1036	1033
50	841.1	847.6	848.8	850.5	846.0
60	621.6	629.5	628.2	633.3	627.7
70	379.4	387.7	388.3	391.6	387.0
80	142.9	150.2	156.7	154.6	149.9
90	0.0014	0.0844	0.0842	0.2041	0
100	0.1674	0.0878	0	0	0
110	0.5039	0.3689	0.0844	0.3705	0.1662
120	1.347	0.9283	0.4783	0.7703	0.6749
130	1.335	0.9984	1.255	0.7183	1.264
140	1.302	0.2535	1.201	0.4218	1.433
150	1.269	0	1.114	0	1.433
160	1.134	0	1.043	0	1.433
170	1.369	0	1.093	0	1.433
180	1.433	0.2531	1.266	0	1.433
DEG	LUMINOUS INTENSITY:cd				

Zonal Lumens

T	φ total
0-10	131.6
10-20	509.1
20-30	1083
30-40	1779
40-50	2506
50-60	3165
60-70	3666
70-80	3945
80-90	4010
90-100	4010
100-110	4010
110-120	4010
120-130	4011
130-140	4012
140-150	4013
150-160	4013
160-170	4013
170-180	4013
UNIT: lm	

Luminance cd/(m2)

G[DEG]	C0/180	C90/270
85	5710	6959
80	8237	9024
75	9886	10364
70	11104	11353
65	11904	12049
60	12443	12564
55	12825	12951
50	13097	13207
45	13302	13388



Zonal Flux Diagram

T	C0	C45	C90	C135	C180
10	1949	1959	1952	1946	1946
20	1856	1870	1857	1848	1849
30	1699	1713	1698	1688	1692
40	1483	1496	1481	1470	1477
50	1215	1226	1211	1204	1211
60	904.3	913.2	900.7	897.6	903.8
70	570.0	577.5	570.1	568.0	572.8
80	235.3	248.8	251.8	247.7	247.6
90	0.2569	0.6989	1.349	6.798	0
100	0	0.4724	1.151	2.045	0
110	0	0.4982	1.137	0.7072	0.2640
120	0.6089	0.6486	0	0.5700	0.6816
130	0.8588	0.6124	0	0.6712	0.8550
140	0.8223	0	0	0	0.9294
150	0.7007	0	0	0	1.004
160	0.4954	0	0.0904	0	1.162
170	0.6586	0.0877	0.1390	0	1.237
180	0.6998	0.0877	0.1730	0	1.225
DEG	LUMINOUS INTENSITY:cd				

Zonal Lumens

T	φ total
0-10	187.5
10-20	726.2
20-30	1547
30-40	2544
40-50	3585
50-60	4530
60-70	5257
70-80	5683
80-90	5798
90-100	5799
100-110	5800
110-120	5800
120-130	5801
130-140	5801
140-150	5801
150-160	5801
160-170	5801
170-180	5801
UNIT: lm	

Luminance cd/(m2)

G[DEG]	C0/180	C90/270
85	10468	12586
80	13573	14498
75	15495	15700
70	16691	16666
65	17496	17408
60	18115	18012
55	18587	18470
50	18938	18834
45	19204	19112

Theoretical Lumens: XXX LM (subject to change)

Theoretical Wattage: XXX W (subject to change)

***Please note lumens and wattage are subject to change and will be determined post production of the first articles.

*Any custom modifications are subject to minimum order quantity. (M.O.Q.)

© VONN Lighting, 2024

