

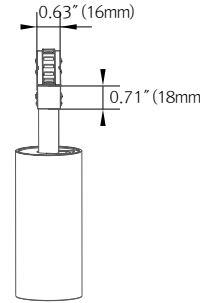
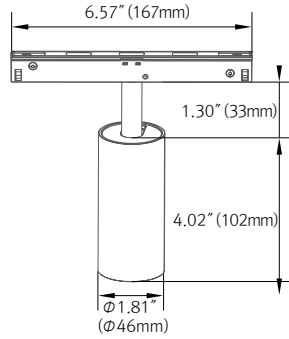
PROJECT:

TYPE:

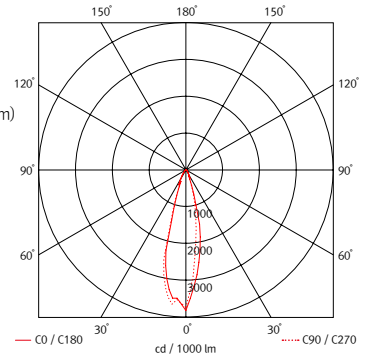
CATALOG #:

DATE:

### VFLT-SS09



VFLT-SS09-35K-24V

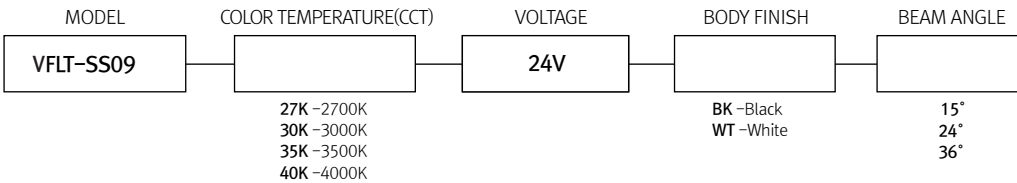


\* 3500K performance data given. Refer to individual luminaire IES files for other CCTs.

\*\* 2700K, 3500K pending factory availability.

Model Name	Power Input	Lamp Power	Luminous Flux	Luminous Efficacy	Color Rendering Index	Color Temperature (CCT)	Beam Angle	Weight of Luminaire	Operating Temperature
VFLT-SS09 (color)-24V	DC 24V	8.9 W	783 lm	88.5 lm/W	CRI > 90	**2700K/3000K/3500K/4000K	15° / 24° / 36°	0.5 lb	32-113°F

#### ORDERING GUIDE Please refer to Page 3 for Track Compatibility.



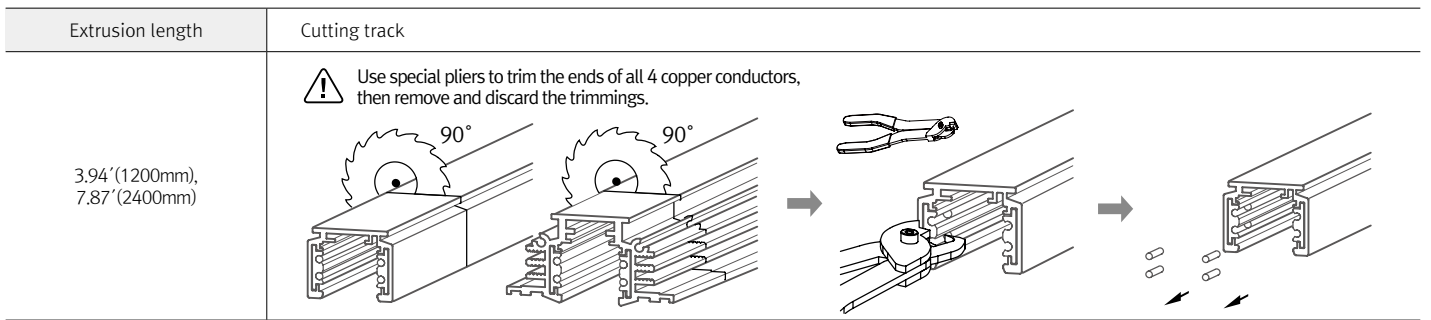
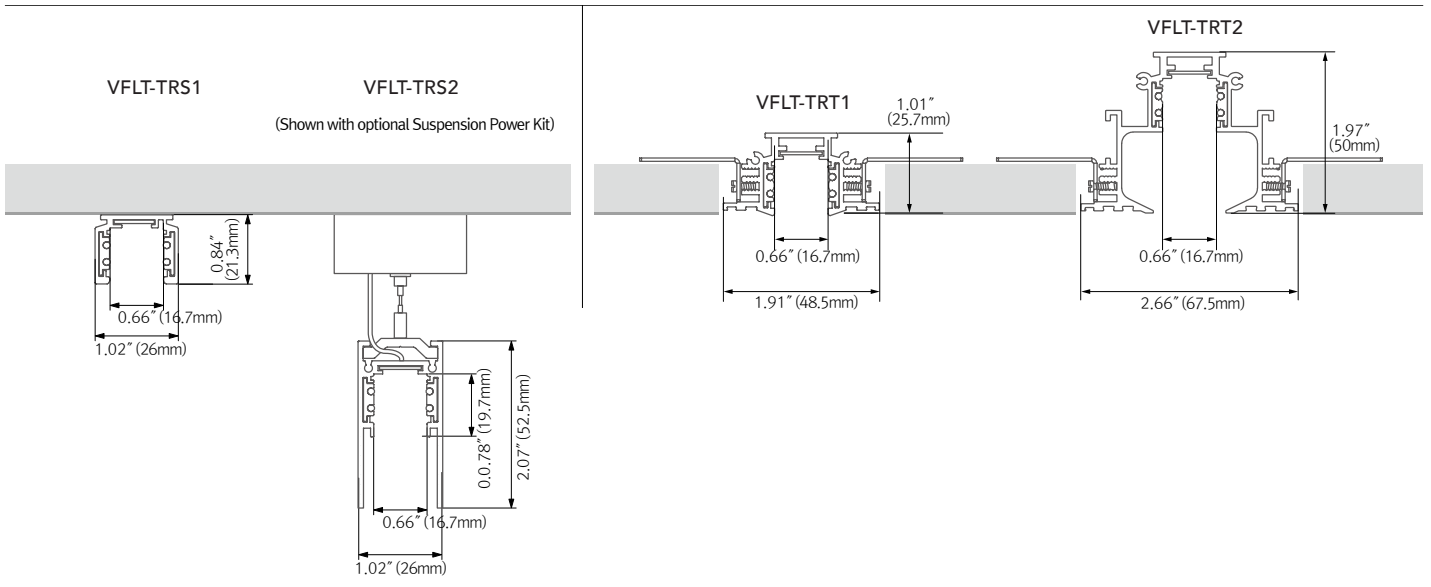
#### PRODUCT FEATURES

- Multiple luminaire options with various beams for maximum design flexibility
- Dual magnetic/mechanical system for secured luminaires
- Surface, Recessed and Pendant mount track available
- Easy installation
- Dimmable
- 96W per Power Feed

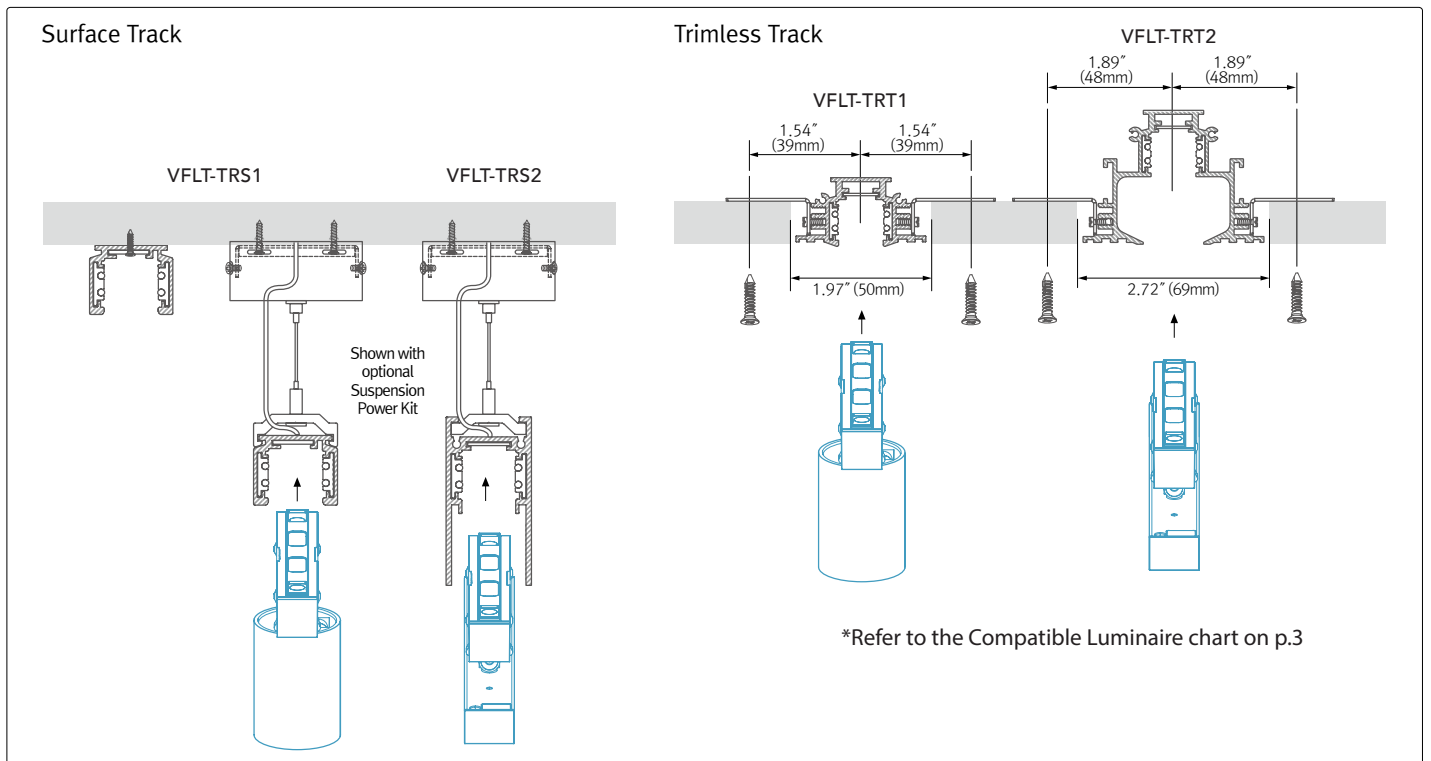
#### PRODUCT SPECIFICATIONS

- Voltage: DC 24V
- Operating Temperature: 32-113 (0-45 )
- Lamp Life: 50,000 hrs / 70%
- Finishes: Black, White
- Color Rendering : CRI > 90
- Dimming: 0-10V, DALI, Forward/Reverse (with interface)
- 5 year Warranty

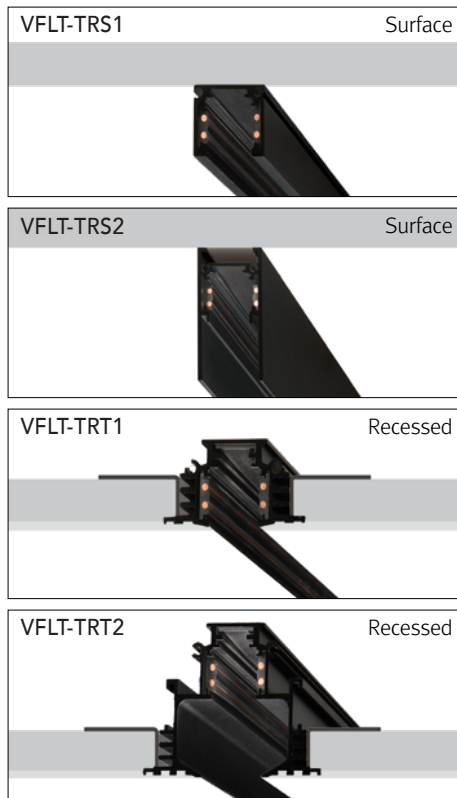
DIMENSION



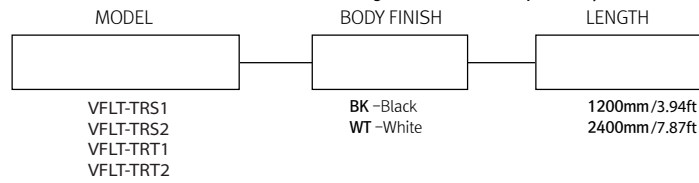
INSTALLATION \*



VFLT TRACK



ORDERING GUIDE Please refer to Page 8 for Track Compatibility.



Compatible Luminaires				
Luminaire	VFLT-TRS1	VFLT-TRS2	VFLT-TRT1	VFLT-TRT2
VFLT-SS06	○	○	○	○
VFLT-SS09 *	○	○	○	○
VFLT-SS15	○	○	○	○
VFLT-SS20	○	○	○	○
VFLT-SL06	○	○	○	○
VFLT-SM02	○	○	○	○
VFLT-SM12	○	○	○	○
VFLT-LS15 *	○	○	○	○
VFLT-LS30 *	○	○	○	○
VFLT-LM30 *	○	○	○	○
VFLT-SP20 *	○	○	○	○
VFLT-SP30 *	○	○	○	○

\*Specifications are subject to change upon complete production of fixture.

\*Installation into the VFLT=TRS2 track or the VFLT-TRT2 track disables the ability to tilt and rotate the luminaire.

COMPONENTS

BK : Black / WT : white

**Power Connector**  
\_VFLTOPC-BK  
\_VFLTOPC-WT

**Direct Connector**  
\_VFLTCPL-BK  
\_VFLTCPL-WT

**Suspension Power Kit for TRS1**  
\_VFLT-SK-POWER1-BK  
\_VFLT-SK-POWER1-WT

**Suspension Bracket for TRS1**  
\_VFLT-SK-BRACKET1-BK  
\_VFLT-SK-BRACKET1-WT

**Suspension Power Kit for TRS2**  
\_VFLT-SK-POWER2-BK  
\_VFLT-SK-POWER2-WT

**Suspension Bracket for TRS2**  
\_VFLT-SK-BRACKET2-BK  
\_VFLT-SK-BRACKET2-WT

**Joint Bracket for TRS1**  
\_VFLT-TRS1-JOINT-BK

**Joint Bracket for TRS2**  
\_VFLT-TRS2-JOINT-BK  
\_VFLT-TRS2-JOINT-WT

**Joint Bracket for TRT1,2**  
\_VFLT-TRT1-JOINT-BK

**Holder for TRT1 Track**  
\_VFLT-TRT1-HOLDER

Hold Track when installing

**Holder for TRT2 Track**  
\_VFLT-TRT2-HOLDER

Hold Track when installing

**TRT WING for Trimless Track**  
\_VFLT-TRT-WING

**Fixture Remover**  
\_VFLT-REMOVER

**Hard Wire Driver**  
(90V to 300V)  
\_VXLAV80(L)-124V-SSB  
\_VXLD200-224V-FCL-DIM  
\_VXLD75-124V-FC

**LED Drivers**  
With distributor and power cord 1800mm(6')  
\_VFLC30-24V/XL  
\_VFLC75-24V-P/XL

**Dimming Interface (0-10V)**  
\_VFDC-L10  
Max. 100W (100W/CH, 1CH)

**Dimming Interface (0-10V, DMX512)**  
\_VFDA-L2M0  
Max. 100W (100W/CH, 2CH)  
\_VFDA-L5M  
Max. 200W (50W/CH, 5CH)

**Dimming Interface (DALI)**  
\_VFDD-L1DA  
Max. 200W (100W/feed, 2feeds)