

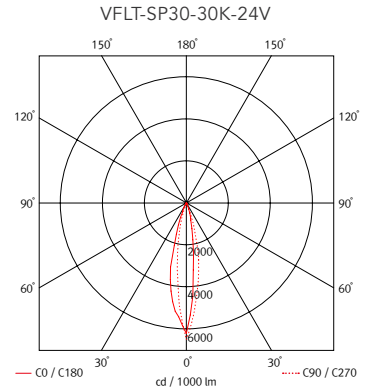
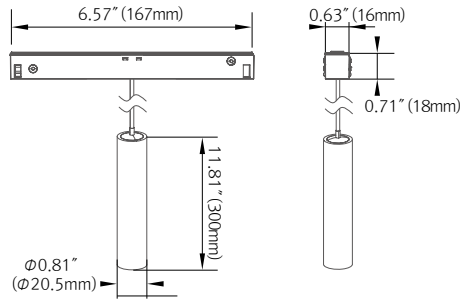
PROJECT:

TYPE:

CATALOG #:

DATE:

VFLT-SP30

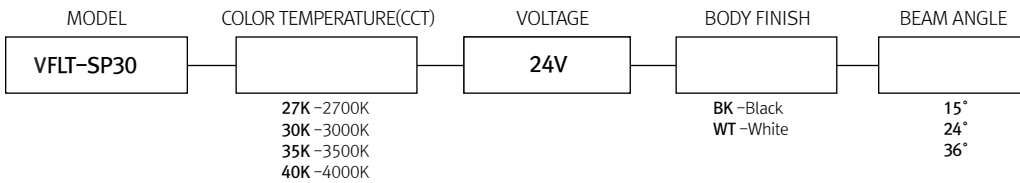


* 3000K performance data given. Refer to individual luminaire IES files for other CCTs.

** 2700K, 3500K pending factory availability.

Model Name	Power Input	Lamp Power	Luminous Flux	Luminous Efficacy	Color Rendering Index	Color Temperature (CCT)	Beam Angle	Weight of Luminaire	Operating Temperature
VFLT-SP30 (color)-24V	DC 24V	2.3 W	113.62 lm	50.44 lm/W	CRI > 90	**2700K/3000K/3500K/4000K	15°/24°/36°	0.65 lb	32-113°F

ORDERING GUIDE Please refer to Page 3 for Track Compatibility.



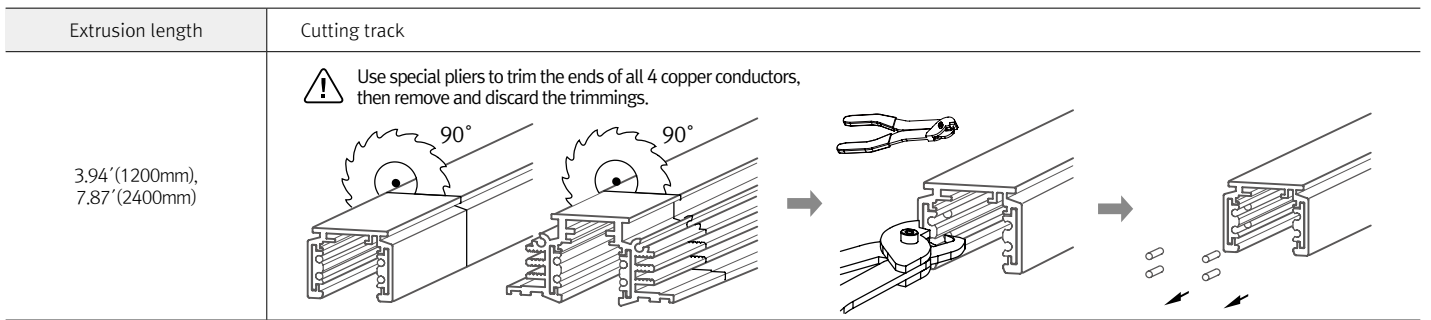
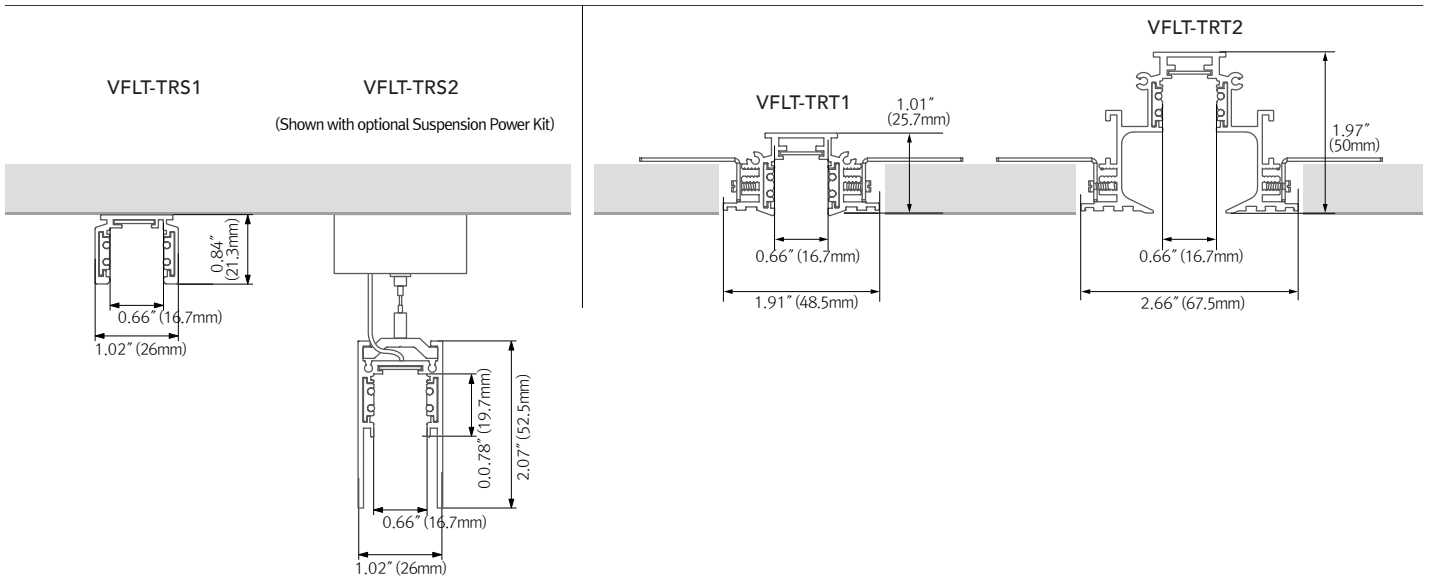
PRODUCT FEATURES

- Multiple luminaire options with various beams for maximum design flexibility
- Dual magnetic/mechanical system for secured luminaires
- Surface, Recessed and Pendant mount track available
- Easy installation
- Dimmable
- 96W per Power Feed

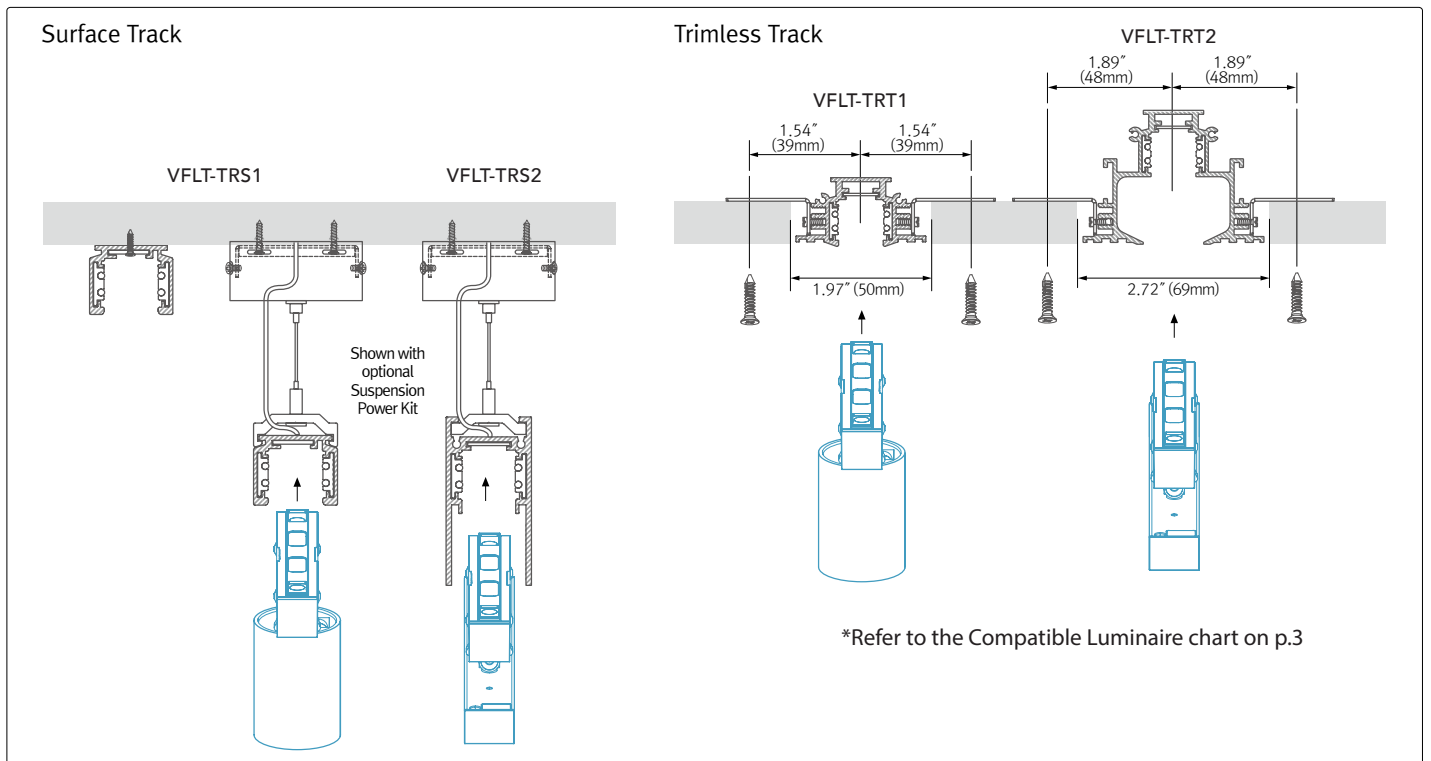
PRODUCT SPECIFICATIONS

- Voltage: DC 24V
- Operating Temperature: 32-113 (0-45)
- Lamp Life: 50,000 hrs / 70%
- Finishes: Black, White
- Color Rendering : CRI > 90
- Dimming: 0-10V, DALI, Forward/Reverse (with interface)
- 5 year Warranty

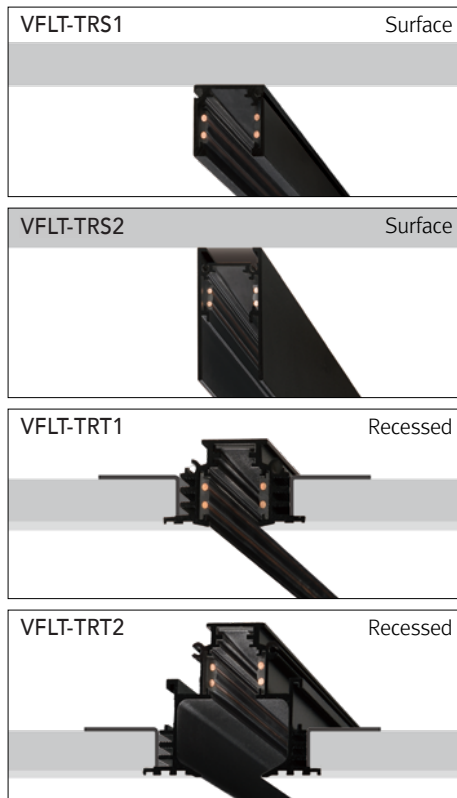
DIMENSION



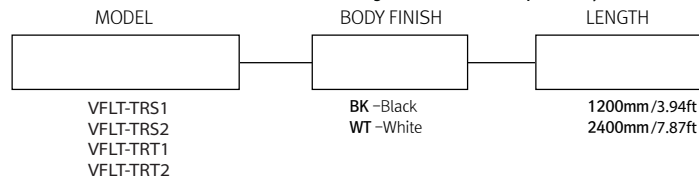
INSTALLATION *



VFLT TRACK



ORDERING GUIDE Please refer to Page 8 for Track Compatibility.



Compatible Luminaires				
Luminaire	VFLT-TRS1	VFLT-TRS2	VFLT-TRT1	VFLT-TRT2
VFLT-SS06	○	○	○	○
VFLT-SS09 *	○	○	○	○
VFLT-SS15	○	○	○	○
VFLT-SS20	○	○	○	○
VFLT-SL06	○	○	○	○
VFLT-SM02	○	○	○	○
VFLT-SM12	○	○	○	○
VFLT-LS15 *	○	○	○	○
VFLT-LS30 *	○	○	○	○
VFLT-LM30 *	○	○	○	○
VFLT-SP20 *	○	○	○	○
VFLT-SP30 *	○	○	○	○

*Specifications are subject to change upon complete production of fixture.

*Installation into the VFLT=TRS2 track or the VFLT-TRT2 track disables the ability to tilt and rotate the luminaire.

COMPONENTS

BK : Black / WT : white

Power Connector
_VFLTOPC-BK
_VFLTOPC-WT

Direct Connector
_VFLTCPL-BK
_VFLTCPL-WT

Suspension Power Kit for TRS1
_VFLT-SK-POWER1-BK
_VFLT-SK-POWER1-WT

Suspension Bracket for TRS1
_VFLT-SK-BRACKET1-BK
_VFLT-SK-BRACKET1-WT

Suspension Power Kit for TRS2
_VFLT-SK-POWER2-BK
_VFLT-SK-POWER2-WT

Suspension Bracket for TRS2
_VFLT-SK-BRACKET2-BK
_VFLT-SK-BRACKET2-WT

Joint Bracket for TRS1
_VFLT-TRS1-JOINT-BK

Joint Bracket for TRS2
_VFLT-TRS2-JOINT-BK
_VFLT-TRS2-JOINT-WT

Joint Bracket for TRT1,2
_VFLT-TRT1-JOINT-BK

Holder for TRT1 Track
_VFLT-TRT1-HOLDER

Hold Track when installing

Holder for TRT2 Track
_VFLT-TRT2-HOLDER

Hold Track when installing

TRT WING for Trimless Track
_VFLT-TRT-WING

Fixture Remover
_VFLT-REMOVER

Hard Wire Driver
(90V to 300V)
_VXLAV80(L)-124V-SSB
_VXLD200-224V-FCL-DIM
_VXLD75-124V-FC

LED Drivers
With distributor and power cord 1800mm(6')
_VFLC30-24V/XL
_VFLC75-24V-P/XL

Dimming Interface (0-10V)
_VFDC-L10
Max. 100W (100W/CH, 1CH)

Dimming Interface (0-10V, DMX512)
_VFDA-L2M0
Max. 100W (100W/CH, 2CH)
_VFDA-L5M
Max. 200W (50W/CH, 5CH)

Dimming Interface (DALI)
_VFDD-L1DA
Max. 200W (100W/feed, 2feeds)