

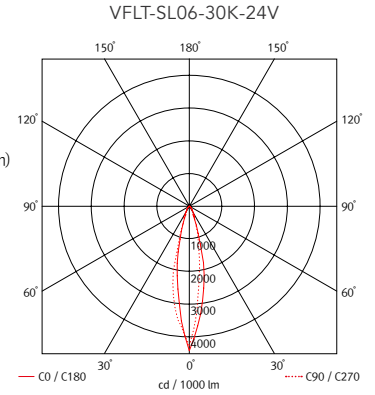
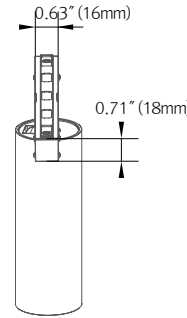
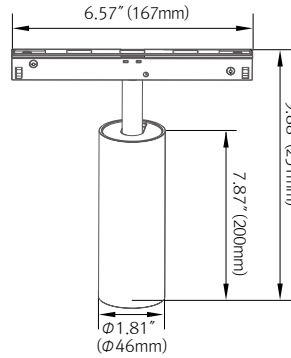
PROJECT:

TYPE:

CATALOG #:

DATE:

### VFLT-SL06

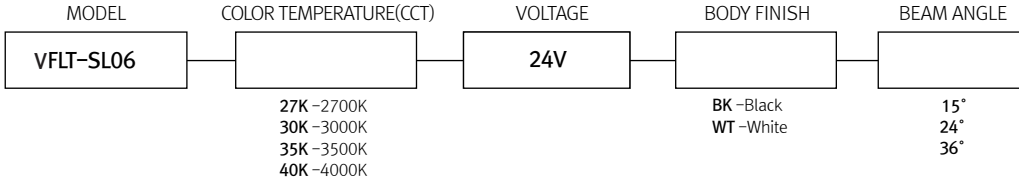


\* 3000K performance data given. Refer to individual luminaire IES files for other CCTs.

\*\* 2700K, 3500K pending factory availability.

| Model Name            | Power Input | Lamp Power | Luminous Flux | Luminous Efficacy | Color Rendering Index | Color Temperature (CCT)   | Beam Angle      | Weight of Luminaire | Operating Temperature |
|-----------------------|-------------|------------|---------------|-------------------|-----------------------|---------------------------|-----------------|---------------------|-----------------------|
| VFLT-SL06 (color)-24V | DC 24V      | 5.2 W      | 361 lm        | 69.5 lm/W         | CRI > 90              | **2700K/3000K/3500K/4000K | 15° / 24° / 36° | 0.74 lb             | 32-113°F              |

### ORDERING GUIDE Please refer to Page 3 for Track Compatibility.



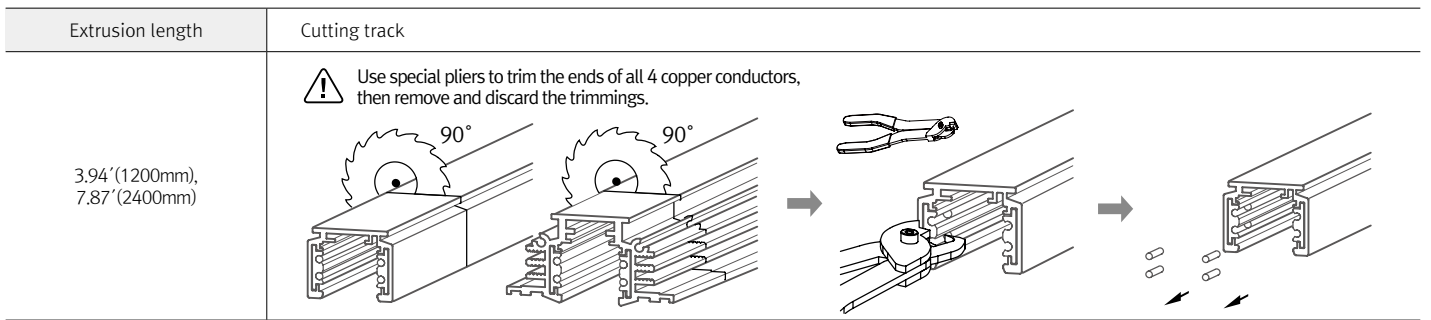
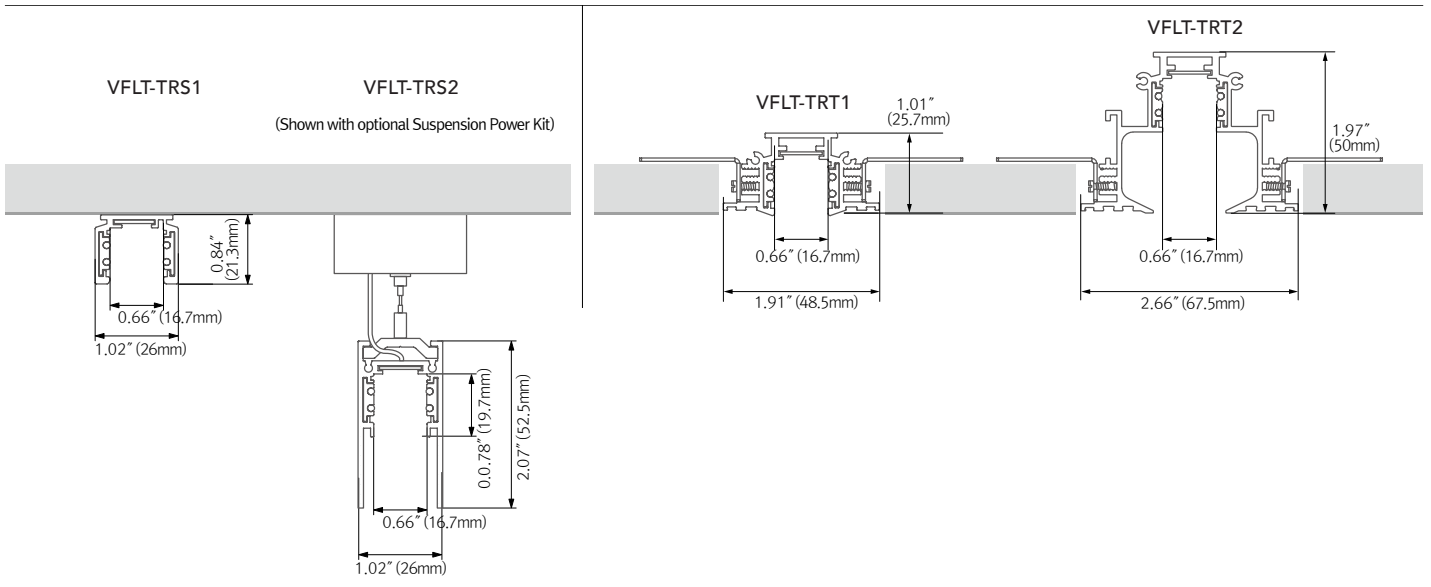
### PRODUCT FEATURES

- Multiple luminaire options with various beams for maximum design flexibility
- Dual magnetic/mechanical system for secured luminaires
- Surface, Recessed and Pendant mount track available
- Easy installation
- Dimmable
- 96W per Power Feed

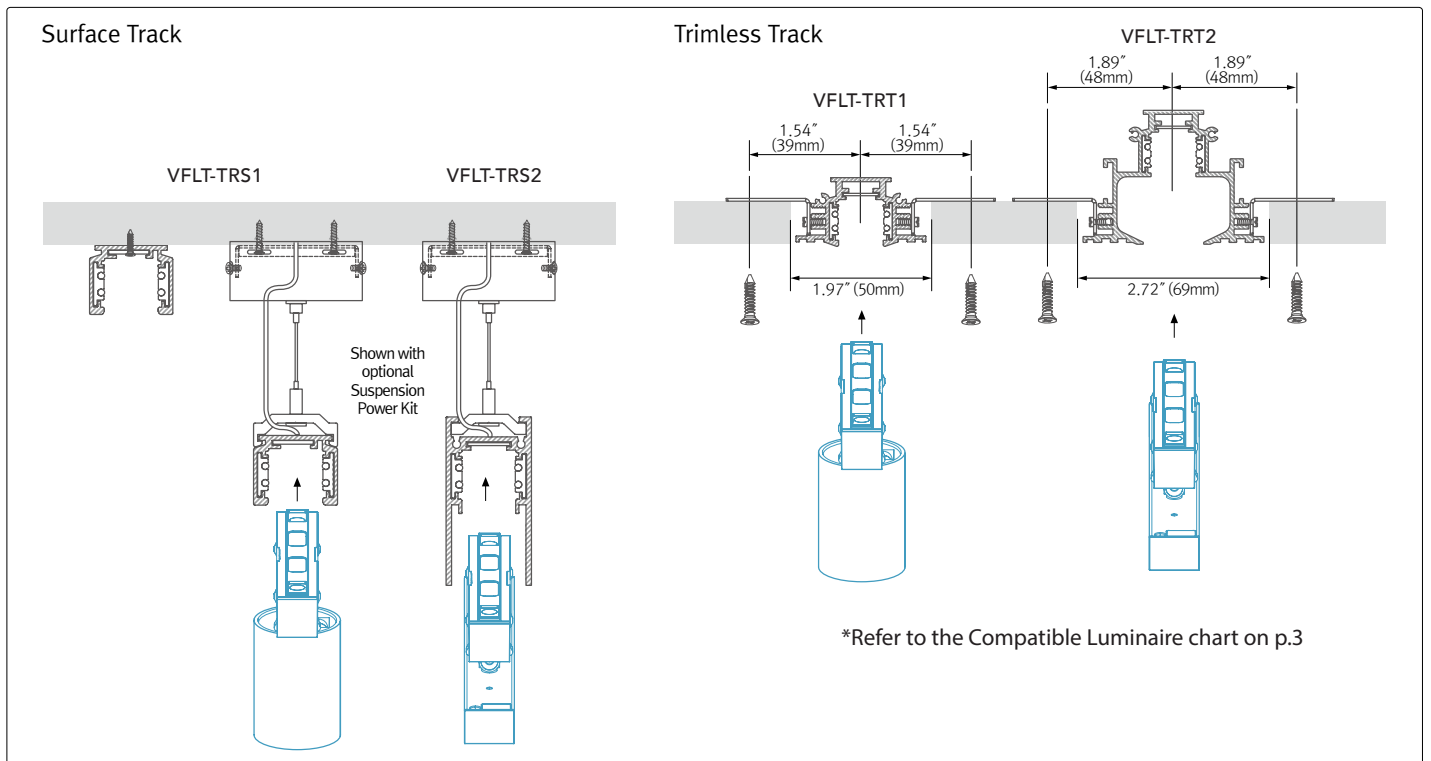
### PRODUCT SPECIFICATIONS

- Voltage: DC 24V
- Operating Temperature: 32-113 (0-45 )
- Lamp Life: 50,000 hrs / 70%
- Finishes: Black, White
- Color Rendering : CRI > 90
- Dimming: 0-10V, DALI, Forward/Reverse (with interface)
- 5 year Warranty

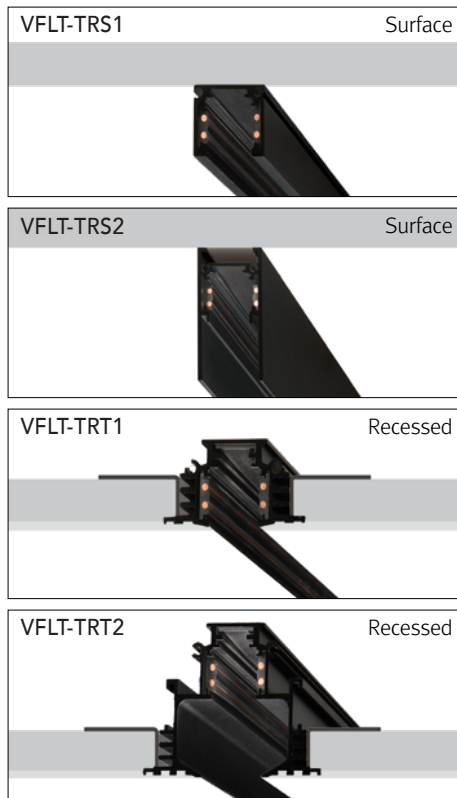
DIMENSION



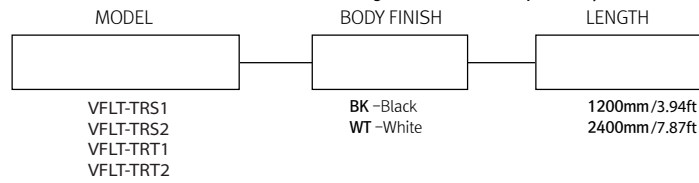
INSTALLATION \*



VFLT TRACK



ORDERING GUIDE Please refer to Page 8 for Track Compatibility.



| Compatible Luminaires |           |           |           |           |
|-----------------------|-----------|-----------|-----------|-----------|
| Luminaire             | VFLT-TRS1 | VFLT-TRS2 | VFLT-TRT1 | VFLT-TRT2 |
| VFLT-SS06             | ○         | ○         | ○         | ○         |
| VFLT-SS09 *           | ○         | ○         | ○         | ○         |
| VFLT-SS15             | ○         | ○         | ○         | ○         |
| VFLT-SS20             | ○         | ○         | ○         | ○         |
| VFLT-SL06             | ○         | ○         | ○         | ○         |
| VFLT-SM02             | ○         | ○         | ○         | ○         |
| VFLT-SM12             | ○         | ○         | ○         | ○         |
| VFLT-LS15 *           | ○         | ○         | ○         | ○         |
| VFLT-LS30 *           | ○         | ○         | ○         | ○         |
| VFLT-LM30 *           | ○         | ○         | ○         | ○         |
| VFLT-SP20 *           | ○         | ○         | ○         | ○         |
| VFLT-SP30 *           | ○         | ○         | ○         | ○         |

\*Specifications are subject to change upon complete production of fixture.

\*Installation into the VFLT=TRS2 track or the VFLT-TRT2 track disables the ability to tilt and rotate the luminaire.

COMPONENTS

BK : Black / WT : white

**Power Connector**  
\_VFLTOPC-BK  
\_VFLTOPC-WT

**Direct Connector**  
\_VFLTCPL-BK  
\_VFLTCPL-WT

**Suspension Power Kit for TRS1**  
\_VFLT-SK-POWER1-BK  
\_VFLT-SK-POWER1-WT

**Suspension Bracket for TRS1**  
\_VFLT-SK-BRACKET1-BK  
\_VFLT-SK-BRACKET1-WT

**Suspension Power Kit for TRS2**  
\_VFLT-SK-POWER2-BK  
\_VFLT-SK-POWER2-WT

**Suspension Bracket for TRS2**  
\_VFLT-SK-BRACKET2-BK  
\_VFLT-SK-BRACKET2-WT

**Joint Bracket for TRS1**  
\_VFLT-TRS1-JOINT-BK

**Joint Bracket for TRS2**  
\_VFLT-TRS2-JOINT-BK  
\_VFLT-TRS2-JOINT-WT

**Joint Bracket for TRT1,2**  
\_VFLT-TRT1-JOINT-BK

**Holder for TRT1 Track**  
\_VFLT-TRT1-HOLDER

Hold Track when installing

**Holder for TRT2 Track**  
\_VFLT-TRT2-HOLDER

Hold Track when installing

**TRT WING for Trimless Track**  
\_VFLT-TRT-WING

**Fixture Remover**  
\_VFLT-REMOVER

**Hard Wire Driver**  
(90V to 300V)  
\_VXLAV80(L)-124V-SSB  
\_VXLD200-224V-FCL-DIM  
\_VXLD75-124V-FC

**LED Drivers**  
With distributor and power cord 1800mm(6')  
\_VFLC30-24V/XL  
\_VFLC75-24V-P/XL

**Dimming Interface (0-10V)**  
\_VFDC-L10  
Max. 100W (100W/CH, 1CH)

**Dimming Interface (0-10V, DMX512)**  
\_VFDA-L2M0  
Max. 100W (100W/CH, 2CH)  
\_VFDA-L5M  
Max. 200W (50W/CH, 5CH)

**Dimming Interface (DALI)**  
\_VFDD-L1DA  
Max. 200W (100W/feed, 2feeds)