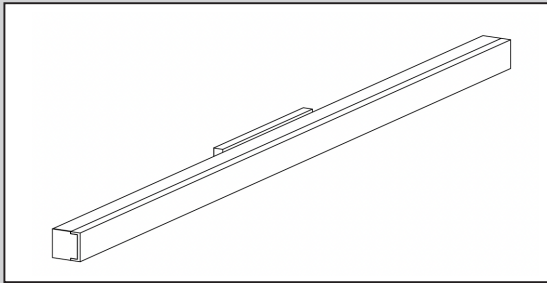


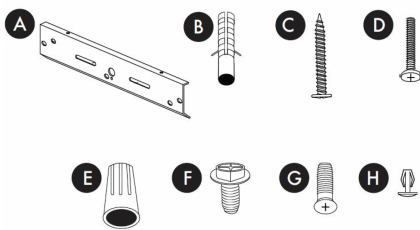
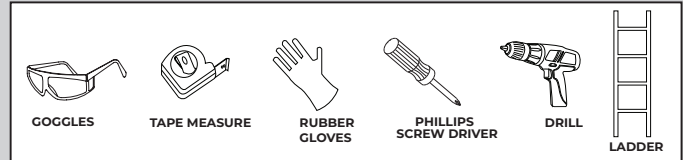
PROCYON BATHROOM LIGHT VMW11248PC



INSTALLATION GUIDE

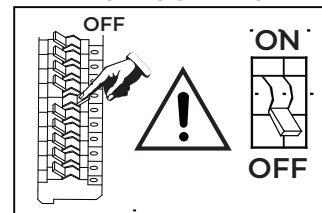


TOOLS YOU MAY NEED



- A. Mounting Plate x 1
- B. Plastic Anchors x 3
- C. Anchor Screws x 3
- D. Outlet Screws x 3
- E. Wire Connectors x 3
- F. Ground Screw x 1
- G. Canopy Screws x 2
- H. Decorative Caps x 4

CIRCUIT BOX



LED INFO & WARNINGS ⚠️

<p>Please read and understand the entire manual before attempting to assemble, operate, or install the product.</p>	<p>Make sure that you have all necessary parts by checking the parts list. If any part is missing or Damaged please contact VONN LIGHTING CUSTOMER SERVICE at 888-604-8666 for a replacement.</p>
<p>All parts must be used as indicated in these Instructions. Do not substitute any parts, leave parts out, or use any parts that are worn or broken.</p>	<p>Inspect the LED fixture prior to installation to make sure that it has not been damaged during shipping.</p>
<p>Please handle the LED light fixture with care when unpacking. Do not apply pressure to the LEDs, do not open any factory sealed compartments, and do not touch the LEDs with your hands.</p>	<p>VONN highly recommends to use a qualified, licensed electrician to install the fixture. ⚠️</p>
<p>VONN recommends to install the fixture on its own independent circuit. Do not install the fixture on the same circuit with the other appliances, or HVAC systems. ⚠️</p>	<p>Do not remove or replace VONN manufactured parts that are provided with the fixture.</p>
<p>Place the wall switch in the "OFF" position of the room you are installing the fixture.</p>	<p>Shut "OFF" the electricity at main fuse box.</p>

INSTALLATION

VONN

IMPORTANT SAFETY INFORMATION



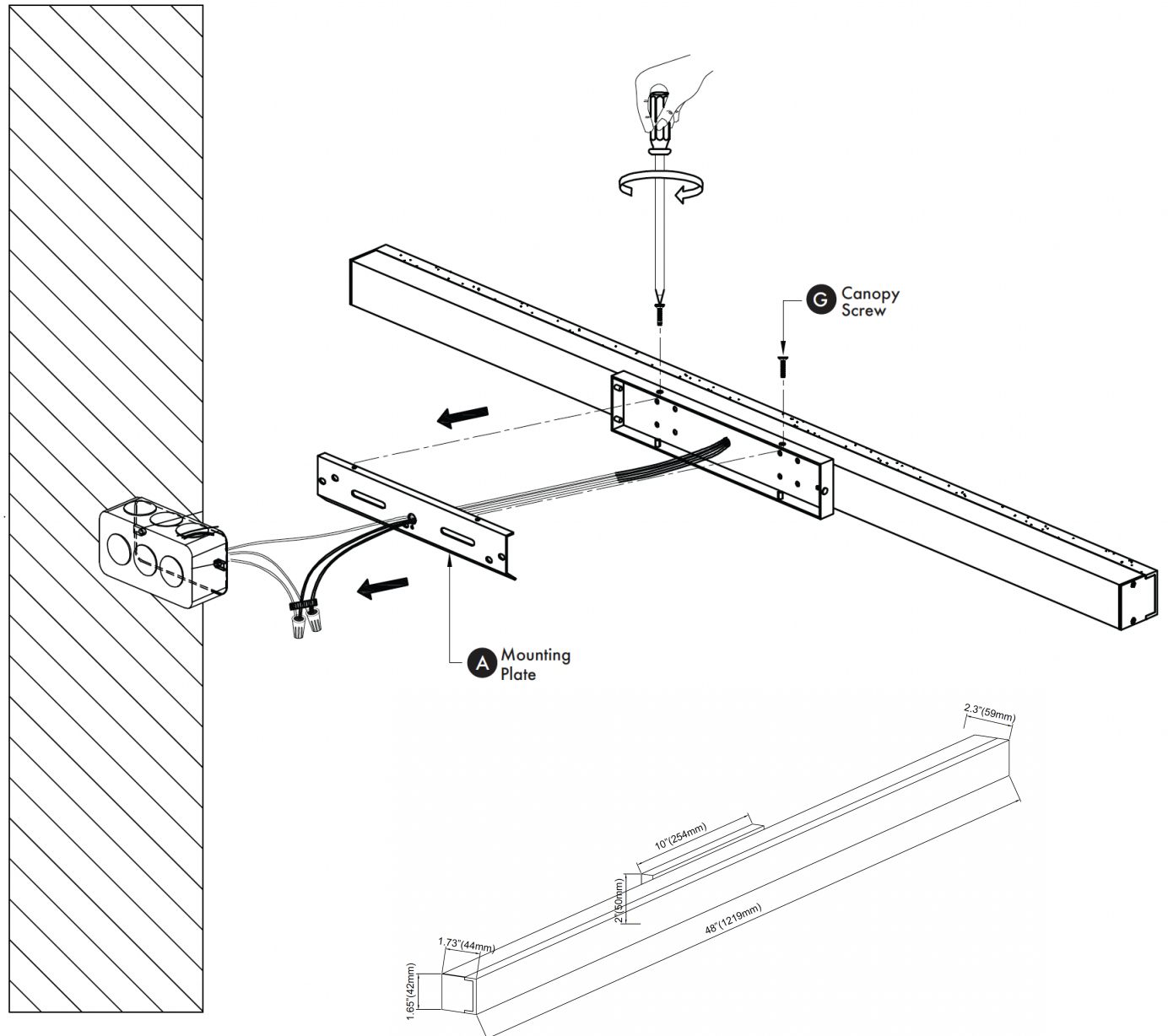
RISK OF FIRE AND ELECTRICAL SHOCK. FIXTURE MUST BE INSTALLED BY A QUALIFIED ELECTRICIAN ONLY IN ACCORDANCE WITH NATIONAL, LOCAL BUILDING AND ELECTRICAL CODES. DISCONNECT POWER AT ELECTRICAL PANEL BEFORE SERVICING.

READ ALL INSTRUCTIONS BEFORE INSTALLATION

NOTE

1. The installation must be performed in strict accordance with the instructions.
2. Avoid installing the light fixture on surfaces that are damaged, warped, or structurally unsound.
3. Ensure the power supply is turned off before installing, replacing, or cleaning the lamp.
4. Verify that all parts are tightly fastened before operating.

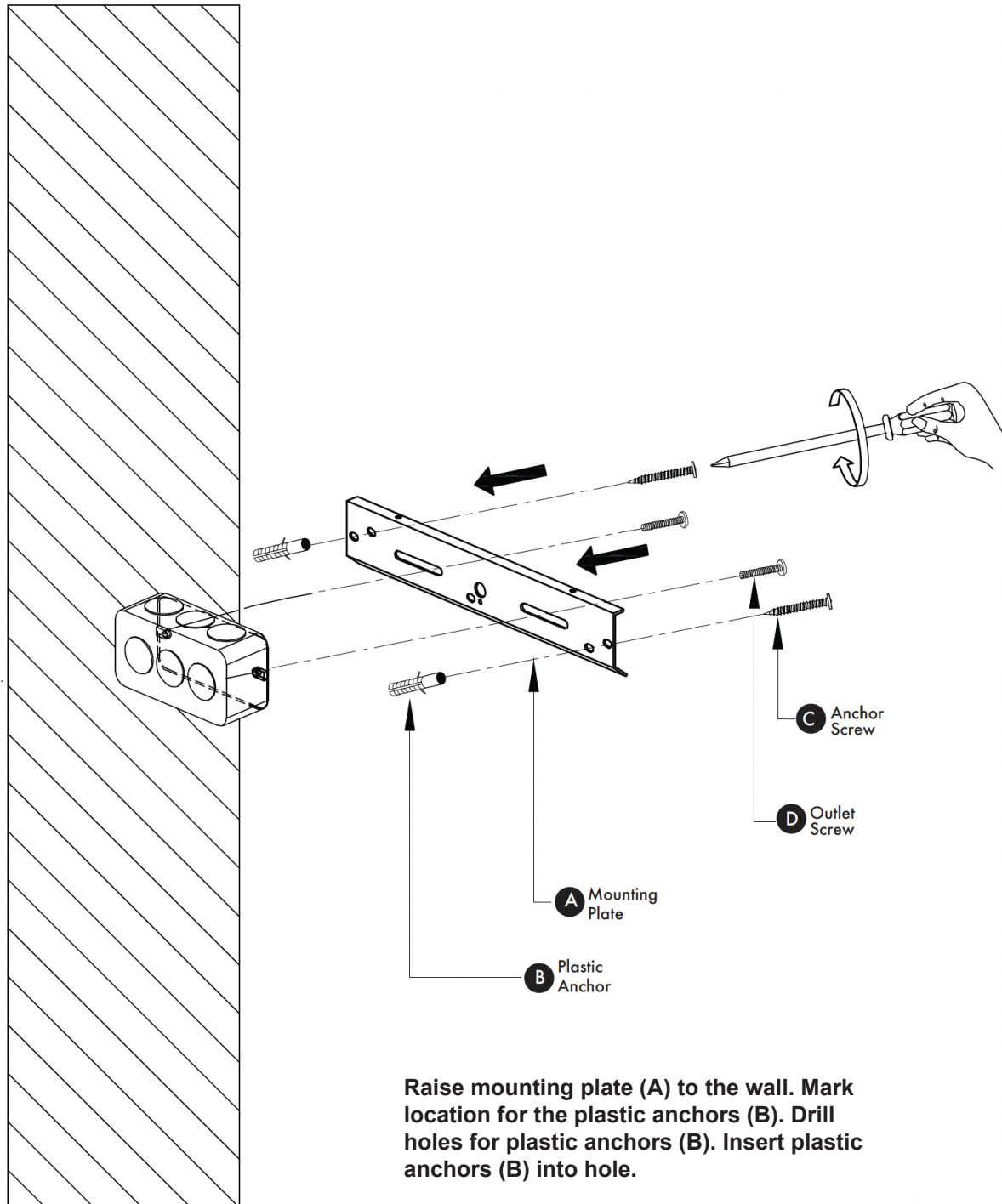
FIXTURE DIAGRAM



INSTALLATION

VONN

Step 1. Install Plastic Anchors



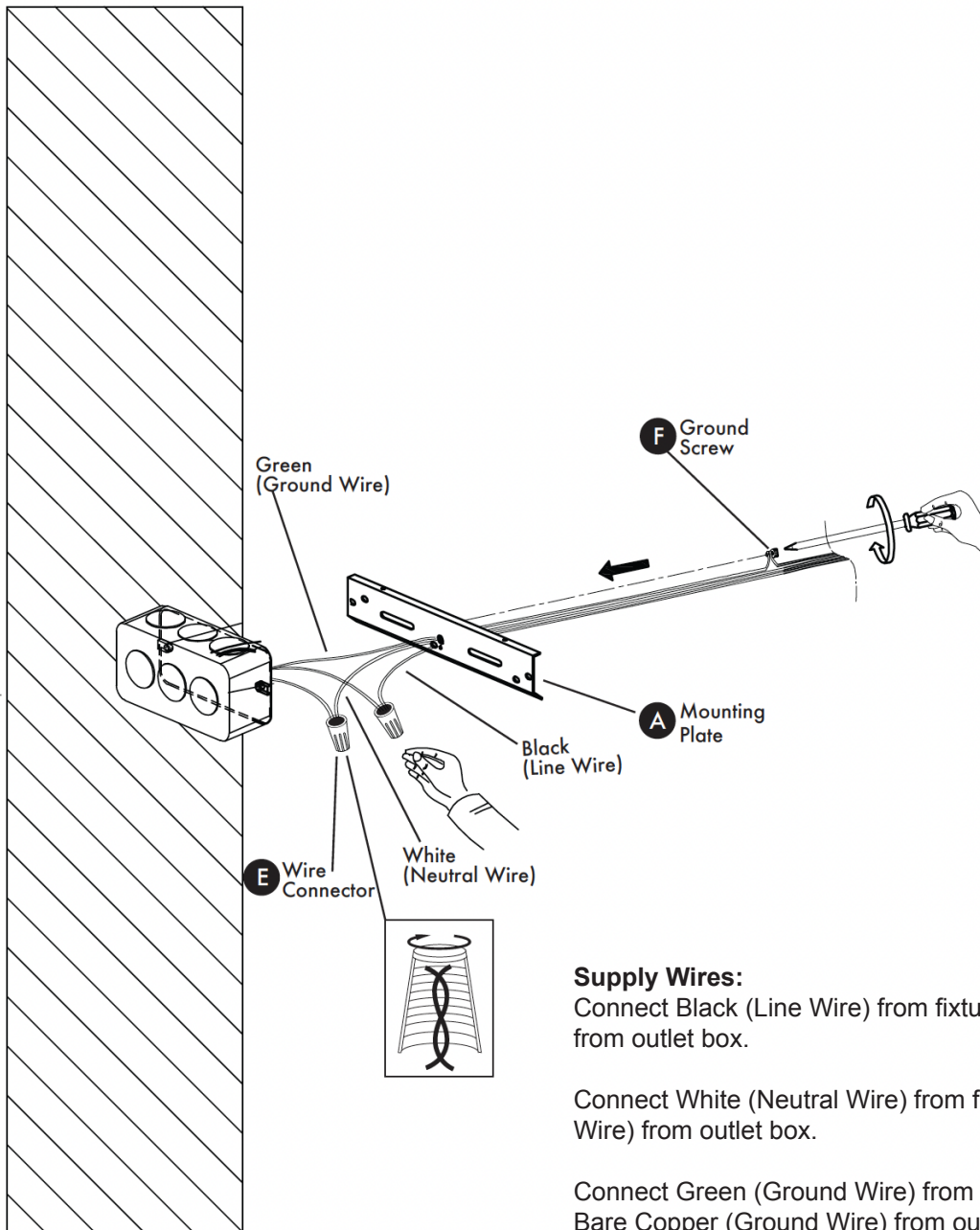
Raise mounting plate (A) to the wall. Mark location for the plastic anchors (B). Drill holes for plastic anchors (B). Insert plastic anchors (B) into hole.

Attach mounting plate (A) to outlet box with outlet screws (D). Screw anchor screws (C) into plastic anchors (B) to secure mounting plate (A).

INSTALLATION



Step 2. Connect Wires



Supply Wires:

Connect Black (Line Wire) from fixture to Black (Hot Wire) from outlet box.

Connect White (Neutral Wire) from fixture to White (Neutral Wire) from outlet box.

Connect Green (Ground Wire) from fixture to Green or Bare Copper (Ground Wire) from outlet box.

Twist wires together clockwise and secure with wire connector (E).

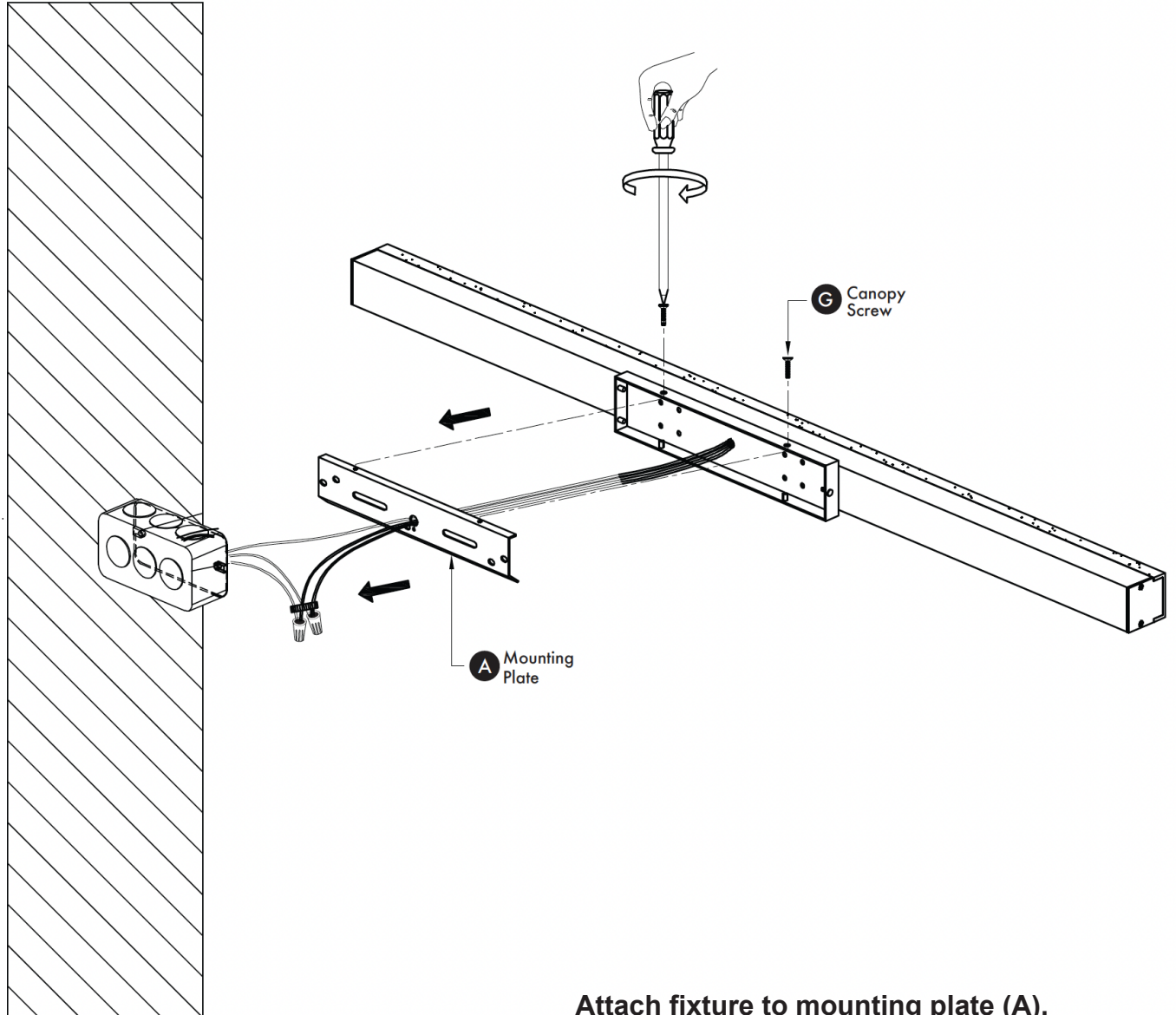
Installer Tip (1): If ground wire is not available in outlet box, then secure Bare Copper (Ground Wire) from fixture to ground screw (F) on mounting plate (A).

Installer Tip (2): Supply wires can be either tucked into outlet box or fixture canopy.

INSTALLATION

VONN

Step 3. Secure Plate & Fixture



Attach fixture to mounting plate (A).
Secure fixture with canopy screws (G).

INSTALLATION



Step 4. Turn power on

Turn electricity “ON” at main fuse box.
Place the recommended ELV type dimmer switch
in the “ON” position to test the fixture.

Circuit Box

