



VERTILUX

IDEAS FOR YOUR SPACE

ZIP CASSETTE SYSTEM

DROP SHADE



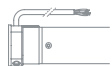
FEATURES

Zip Cassette Guided System is a versatile roller shade solution for both interior and exterior applications. Its components are made of stainless steel and aluminum for maximum durability and thanks to the self-supporting side channels there is no need for additional installation brackets.

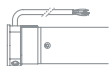
The combination of the new Zip Guide Technology and our XL bottomrail guarantees maximum fabric hold even with winds gusting up to 56 mph | 90 km/h.

Zip Cassette Guided System is the ideal solar management system designed to achieve maximum privacy when used indoor with a blackout fabric and savings up to 55% in air conditioning when installed outdoors, while guaranteeing optimal visual and thermal comfort.

OPERATION OPTION



VTi[®] Celtic Motors



VTi[®] RE-LION Celtic Motors

APPLICATIONS



Drop Shades



Indoor & Outdoor Use

ATTRIBUTES

- For interior and exterior applications.
- The best solution for rain and wind protection.
- The only 100% Blackout system when used with blackout fabrics.
- Maximum safety keeping the fabric between the side guides.
- Elegant flat design.
- Rust proof components.
- Durable & high quality finishing.



ZIP CASSETTE SYSTEM

TECHNICAL SHEET | FICHA TÉCNICA

TECHNICAL SPECS

Maximum Width	2 1/2" (63 mm) TUBE: 9' (2.7m) 3 1/4" (83 mm) TUBE: 14' (4.2m)	Mounting Options	Inside or Outside
Maximum Height	2 1/2" (63 mm) TUBE: 8' (2.4m) 3 1/4" (83 mm) TUBE: 13' (3.9m)	Surface Coverage	Up to 182 ft ² 16.9m ²
Maximum Weight	70-110 lb 32-50 kg	Operation Option	Motor
		Minimum Torque for Motorization	6 Nm

COLORS*



Satin Black White Bronze
Anodized

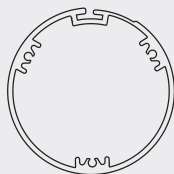
*OTHER COLORS ARE AVAILABLE UPON REQUEST. MINIMUM ORDER QUANTITIES MIGHT APPLY.

WIND RESISTANCE

CLASS 5 56 Miles/h

*Wind resistance and safety values (according to standard EN 13659:2004 + A1:2008).

RECOMMENDED TUBES



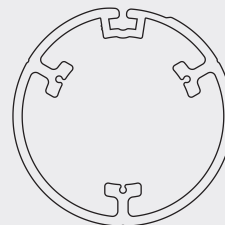
Up to 9' | 2.7 m of Width

2 1/2" | 63 mm

Structured
Aluminum Tube

0-154-TU-630XX

Length: 19'



Up to 14' | 4.2 m of Width

3 1/4" | 83 mm

Structured
Aluminum Tube

0-154-TU-83021

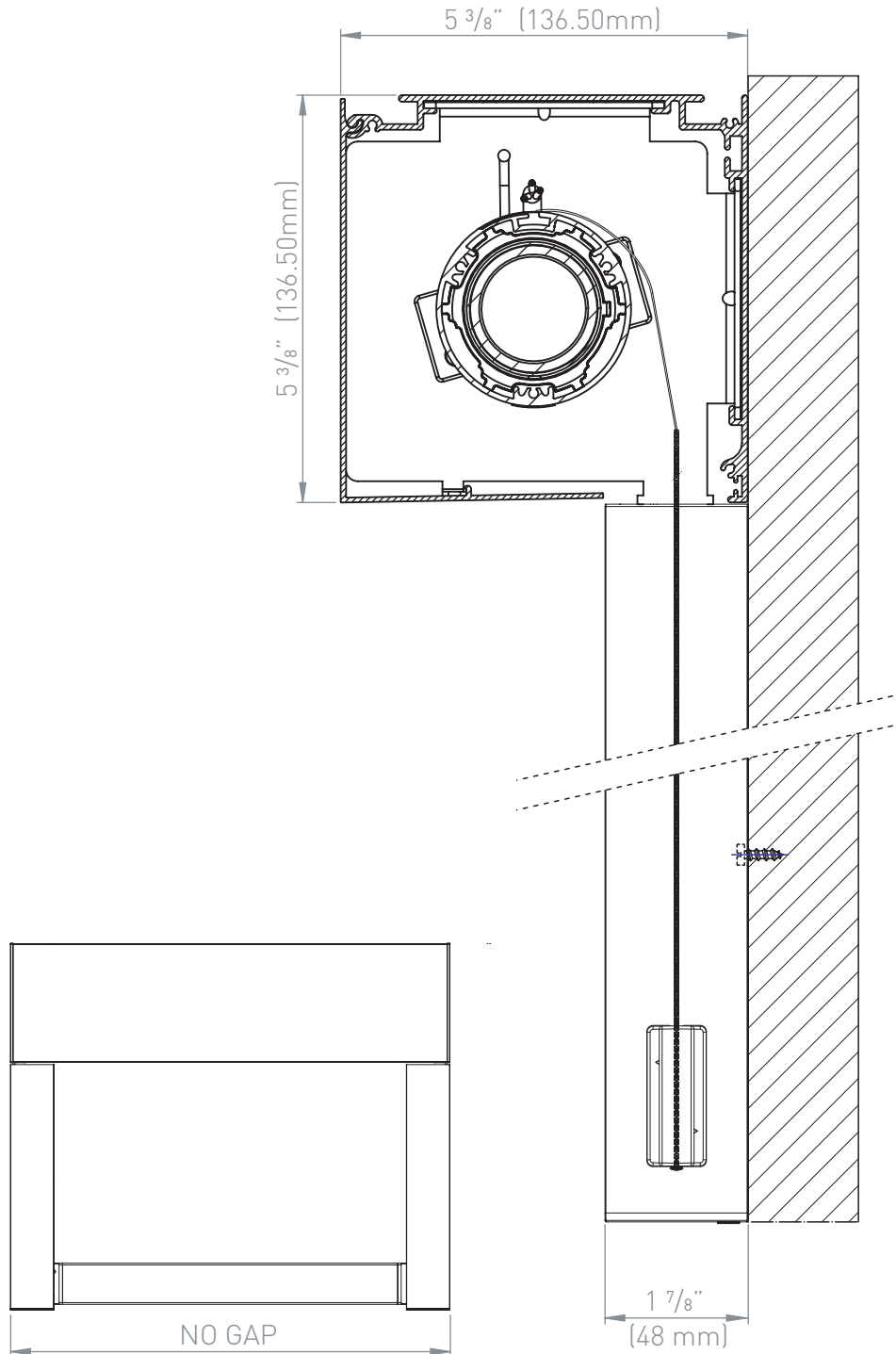
Length: 19'



ZIP CASSETTE SYSTEM

DIMENSIONS | DIMENSIONES

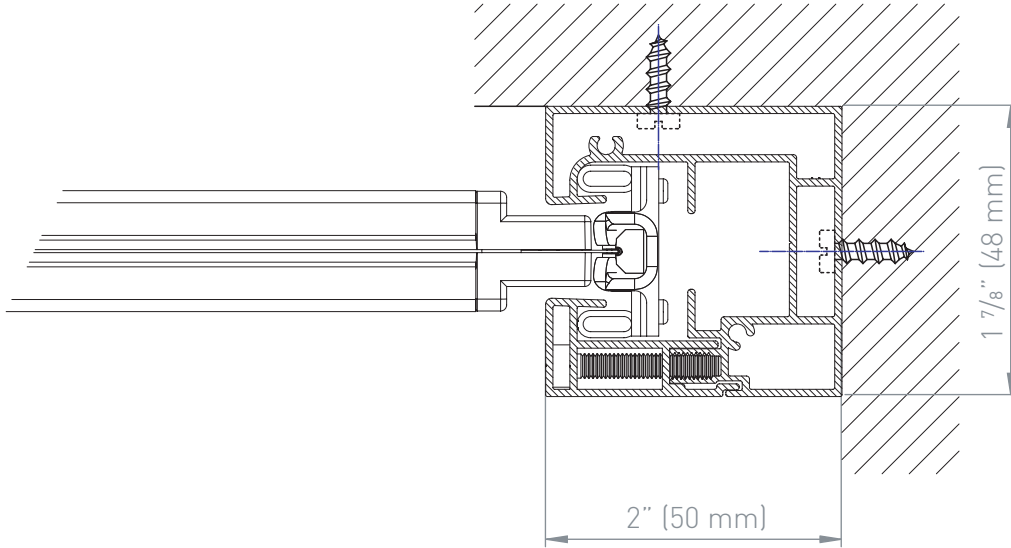
SYSTEM MEASUREMENTS



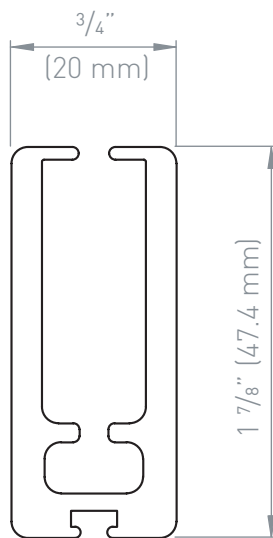


ZIP CASSETTE SYSTEM
 DIMENSIONS | DIMENSIONES

ZIP CHANNEL: 0-140-05-ZG50X + 0-140-05-EZGXX



XL BOTTOMRAIL: 0-140-05-ALBXX

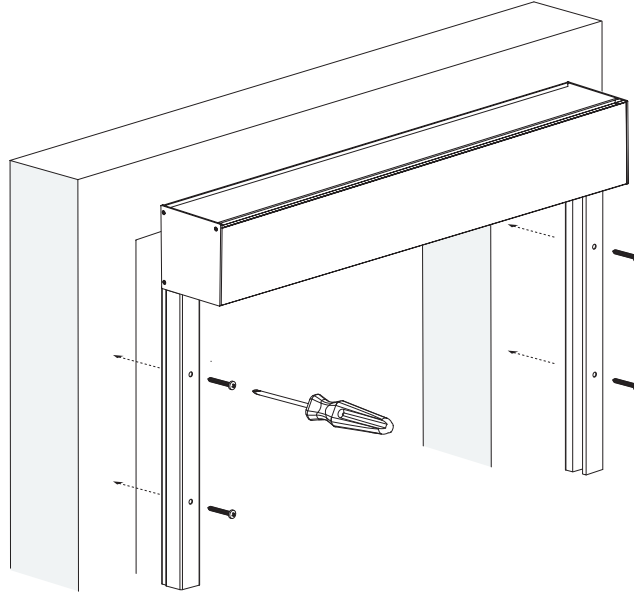




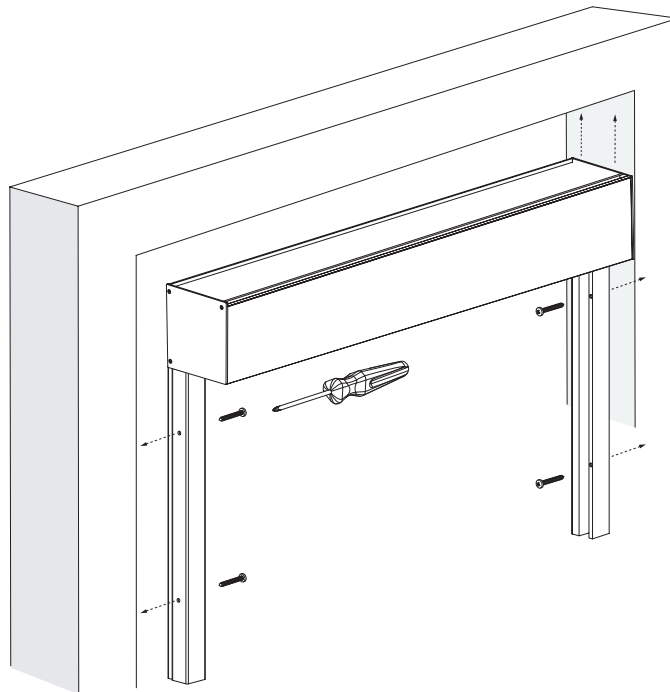
ZIP CASSETTE SYSTEM

INSTALLATION OPTIONS | OPCIONES DE INSTALACIÓN

OUTSIDE MOUNT



INSIDE MOUNT

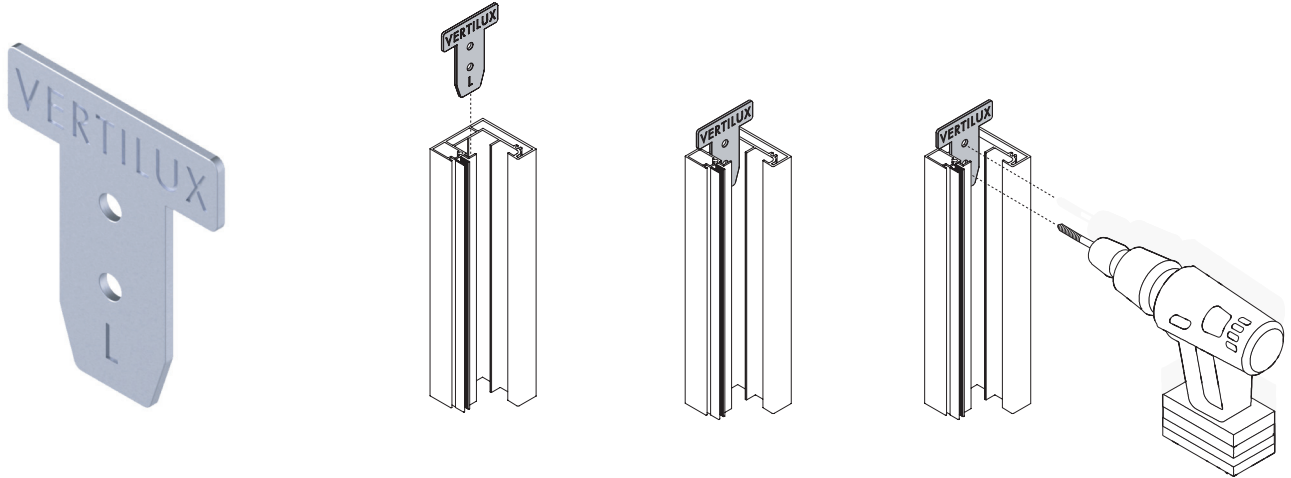




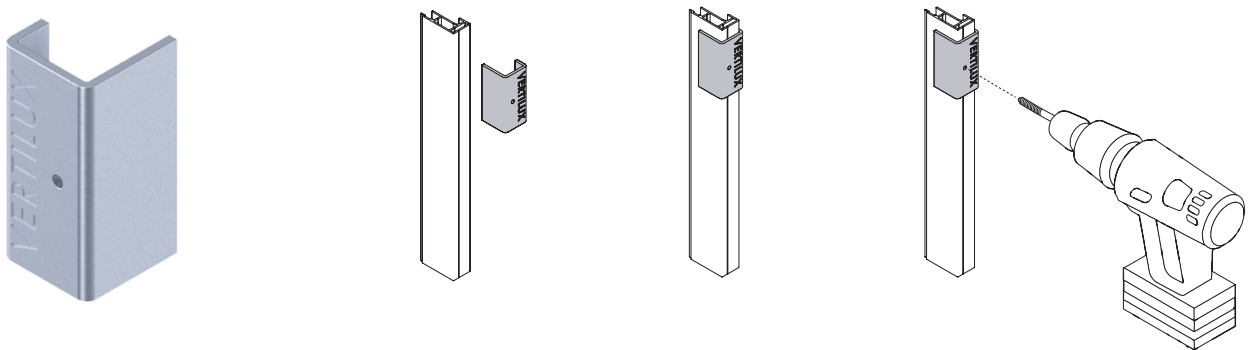
ZIP CASSETTE SYSTEM

TEMPLATES FOR MANUFACTURING | PLANTILLAS PARA FABRICACIÓN: 2-140-05-00000

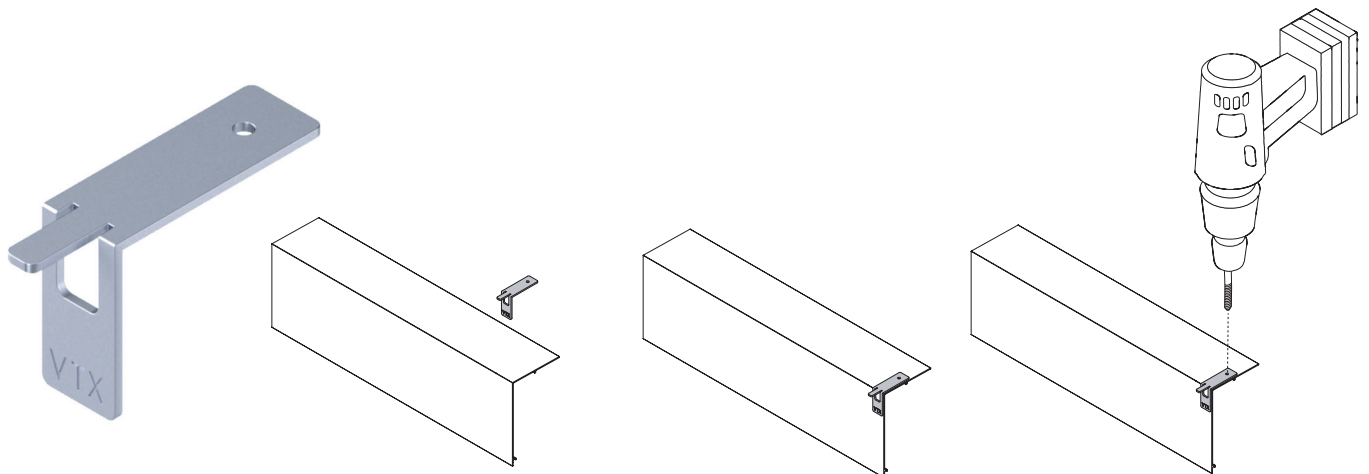
Template for 2" (50 mm) Aluminum ZIP Guide: 0-140-05-ZG50X



Template for Aluminum End ZIP Guide: 0-140-05-EZGXX



Template for Aluminum Frontal Profiles: 0-140-05-FPX19 & 0-149-13-CFX19





ZIP CASSETTE SYSTEM

INSTALLATION OPTIONS

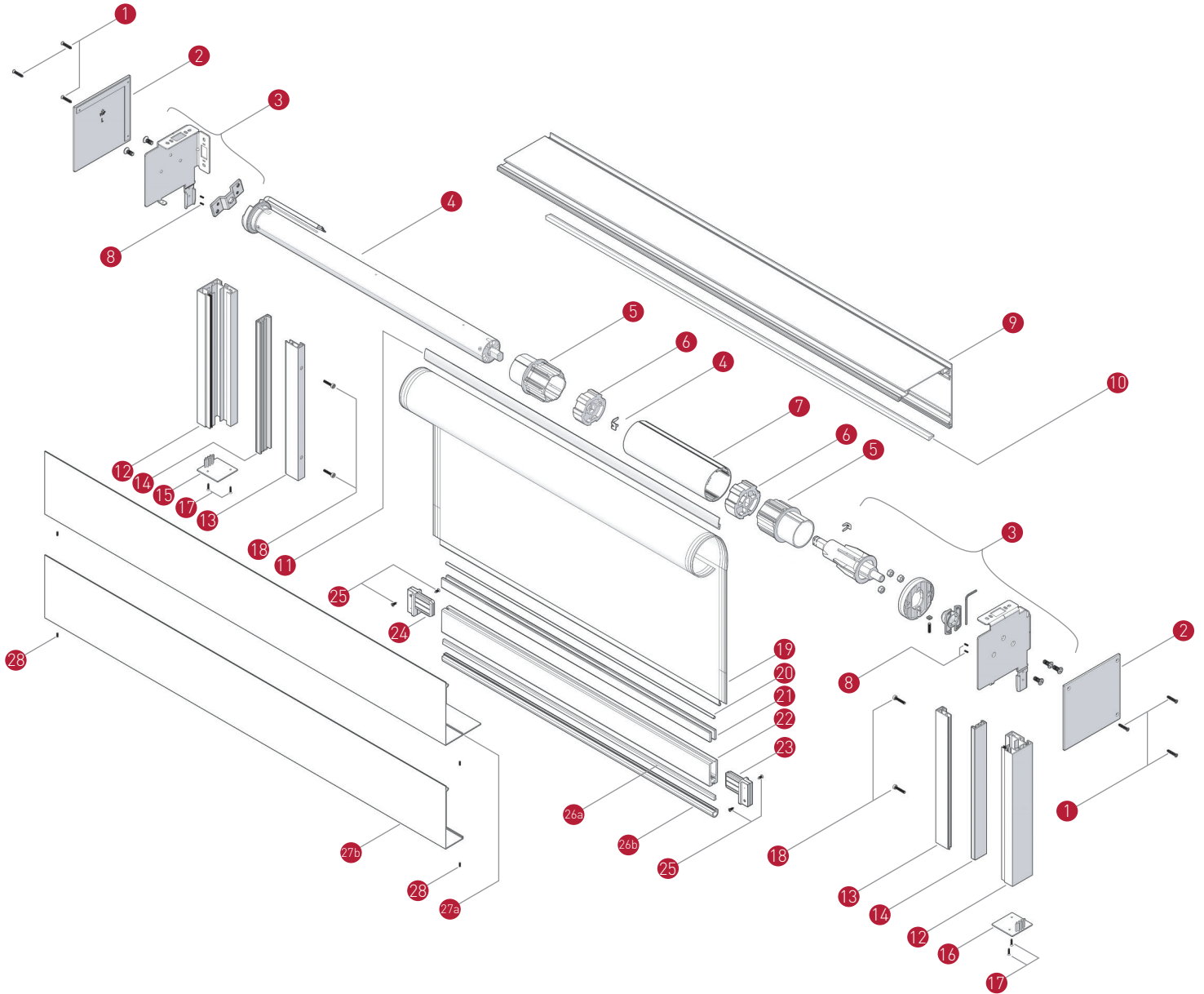
OPCIONES DE INSTALACIÓN





ZIP CASSETTE SYSTEM WITH 2 1/2" (63 mm) TUBE

SCHEMATIC DIAGRAM | DESPIECE DEL SISTEMA





ZIP CASSETTE SYSTEM WITH 2 1/2" (63 mm) TUBE

SCHEMATIC DIAGRAM | DESPIECE DEL SISTEMA

LEGEND | LEYENDA

NO.	DESCRIPTION	CODE	QTY
1	Stainless Steel Screw 3.5 x 32mm (1 1/4")	0-140-05-03532	6
2	Plastic End Cap Set (L & R) for ZIP Cassette System	0-140-05-ZCECX	1
3	Stainless Steel Bracket Set (L & R) for ZIP Cassette System	0-140-05-ZCBRS	1
4	VTI® RE-LION Celtic Motor	6-800-ME-45B20*	1
5	Tube Adapter for 2 1/2" (63mm) Tubes	0-140-05-TA065	2
6	Drive for 35mm & 45mm "A" Shaft Motors and 2 1/2" (63 mm) & 3 1/4" (83 mm) Tubes (Optional)	6-700-AD-45063	2
7	2 1/2" (63mm) Structured Aluminum Tube	0-154-TU-630XX	-**
8	Stainless Steel Allen Socket Set Screw M4x6	0-140-05-SM406	4
9	Aluminum Back Profile for ZIP Cassette & Cassette 130 19'	0-140-05-HRX19	-**
10	Weather Stripping Black 5.1mm x 13mm	0-151-CM-00400	-**
11	2 1/2" (63mm) Tube Channel Flat Insert	0-151-R1-00230	-**
12	2" (50mm) Aluminum ZIP Guide 19'	0-140-05-ZG50X	-**
13	Aluminum End ZIP Guide	0-140-05-EZGX	-**
14	PVC ZIP Guide 19.68'	0-140-05-PVCZG	-**
15	Bottom End Cap for 2" (50mm) ZIP Guide - Left Side	0-140-05-C50LX	1
16	Bottom End Cap for 2" (50mm) ZIP Guide - Right Side	0-140-05-C50RX	1
17	Stainless Steel Screw 3.5 x 19mm (3/4")	0-140-05-03519	4
18	Stainless Steel Screw M4 x 25mm (1")	0-140-05-0M425	-**
19	Zipper for Zip Cassette System	0-140-05-ZIPBK	-**
20	Fiberglass Insert Rod 3mm	0-160-CA-00700	-**
21	Iron Flat Weight 20mm X 4mm Mill Finish 9.84'	0-140-05-000BW	-**
22	XL Aluminum Bottomrail 19'	0-140-05-ALBXX	-**
23	Bottomrail End Caps - Right Side (2 are required to make 1 End Cap)	0-140-05-RERXX	2
24	Bottomrail End Caps - Left Side (2 are required to make 1 End Cap)	0-140-05-RELXX	2
25	Stainless Steel Screw 3.5 x 9.5mm	0-140-05-03595	4
26a	Weather Stripping Black 7mm x 5mm	0-151-CM-00410	-**
26b	Zip-System Rubber Weatherstrip	0-140-07-24860	-**
27a	Front Profile for ZIP Cassette 19'	0-140-05-FPX19	-**
27b	Front Profile for Cassette 130 19'	0-149-13-CFX19	-**
28	Stainless Steel Allen Socket Set Screw	0-140-05-SM406/10	2

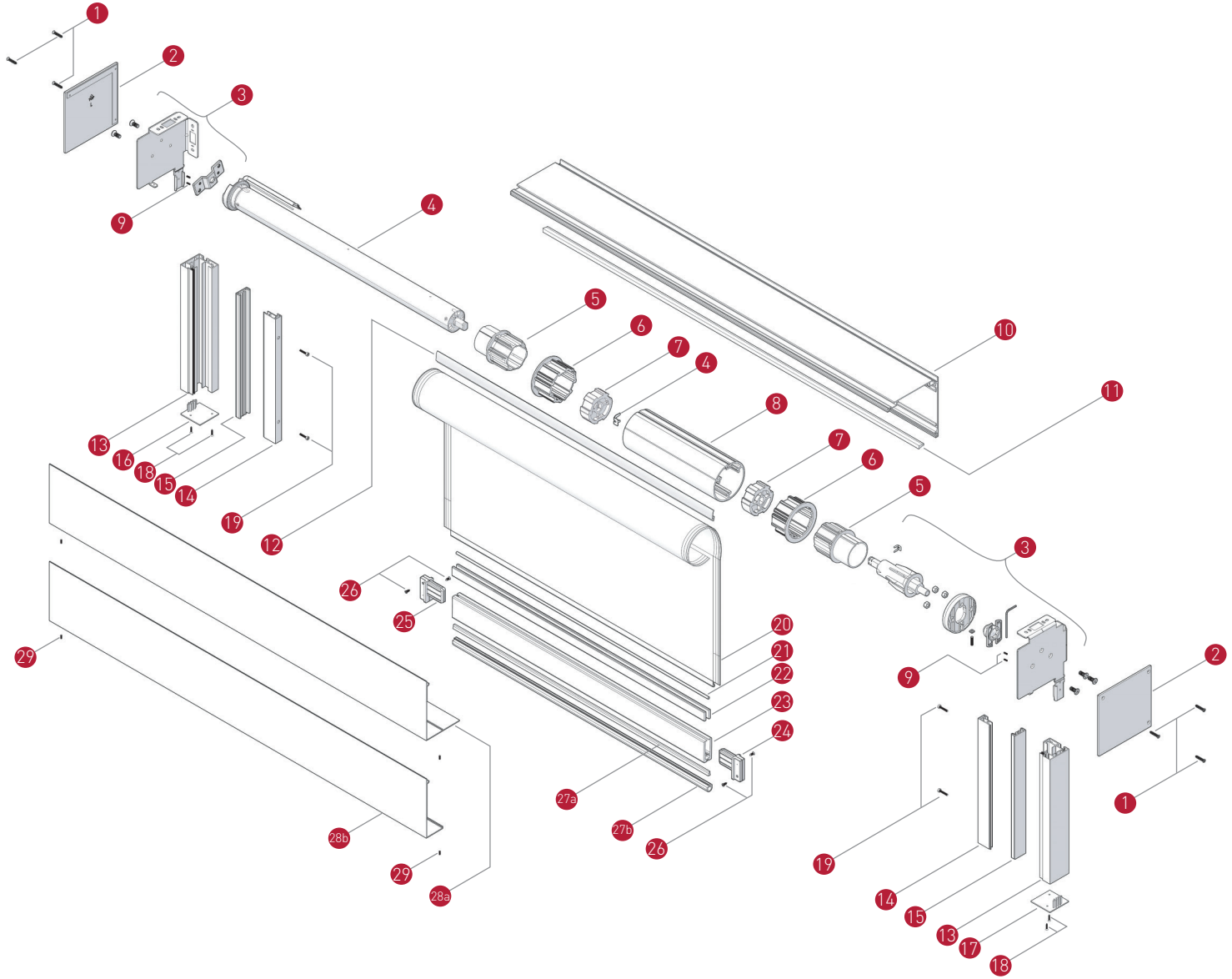
*Other options also available

**The quantity varies depending on the size of the shade



ZIP CASSETTE SYSTEM WITH 3 1/4" (83 mm) TUBE

SCHEMATIC DIAGRAM | DESPIECE DEL SISTEMA





ZIP CASSETTE SYSTEM WITH 3 1/4" (83 mm) TUBE

SCHEMATIC DIAGRAM | DESPIECE DEL SISTEMA

LEGEND | LEYENDA

NO.	DESCRIPTION	CODE	QTY
1	Stainless Steel Screw 3.5 x 32mm (1 1/4")	0-140-05-03532	6
2	Plastic End Cap Set (L & R) for ZIP Cassette System	0-140-05-ZCECX	1
3	Stainless Steel Bracket Set (L & R) for ZIP Cassette System	0-140-05-ZCBRS	1
4	VTi® RE-LION Celtic Motor	6-800-ME-45B20*	1
5	Tube Adapter for 2 1/2" (63mm) Tubes	0-140-05-TA065	2
6	Adapter to change from 2 1/2" (63mm) to 3 1/4" (83mm) Tube	6-700-AZ-63083	2
7	Drive for 35mm & 45mm "A" Shaft Motors and 2 1/2" (63mm) & 3 1/4" (83mm) Tubes (Optional)	6-700-AD-45063	2
8	3 1/4" (83mm) Structural Aluminum Tube	0-154-TU-8302X	-**
9	Stainless Steel Allen Socket Set Screw M4x6	0-140-05-SM406	4
10	Aluminum Back Profile for ZIP Cassette & Cassette130 19'	0-140-05-HRX19	-**
11	Weather Stripping Black 5.1mm x 13mm	0-151-CM-00400	-**
12	3 1/4" (83mm) Tube Channel Flat Insert	0-151-R1-00220	-**
13	2" (50mm) Aluminum ZIP Guide 19'	0-140-05-ZG50X	-**
14	Aluminum End ZIP Guide	0-140-05-EZGXX	-**
15	PVC ZIP Guide 19.68'	0-140-05-PVCZG	-**
16	Bottom End Cap for 2" (50mm) ZIP Guide - Left Side	0-140-05-C50LX	1
17	Bottom End Cap for 2" (50mm) ZIP Guide - Right Side	0-140-05-C50RX	1
18	Stainless Steel Screw 3.5 x 19mm	0-140-05-03519	4
19	Stainless Steel Screw M4 x 25mm (1")	0-140-05-0M425	-**
20	Zipper for Zip Cassette System	0-140-05-ZIPBK	-**
21	Fiberglass Insert Rod 3mm	0-160-CA-00700	-**
22	Iron Flat Weight 20mm X 4mm Mill Finish 9.84'	0-140-05-000BW	-**
23	XL Aluminum Bottomrail 19'	0-140-05-ALBXX	-**
24	Bottomrail End Caps - Right Side (2 are required to make 1 End Cap)	0-140-05-RERXX	2
25	Bottomrail End Caps - Left Side (2 are required to make 1 End Cap)	0-140-05-RELXX	2
26	Stainless Steel Screw 3.5 x 9.5mm	0-140-05-03595	4
27a	Weather Stripping Black 7mm x 5mm	0-151-CM-00410	-**
27b	Zip-System Rubber Weatherstrip	0-140-07-24860	-**
28a	Front Profile for ZIP Cassette 19'	0-140-05-FPX19	-**
28b	Front Profile for Cassette 130 19'	0-149-13-CFX19	-**
29	Stainless Steel Allen Socket Set Screw	0-140-05-SM406/10	2

*Other options also available

**The quantity varies depending on the size of the shade



ZIP CASSETTE SYSTEM

COMPATIBLE MOTORS | MOTORES COMPATIBLES

SERIE Ø35

Requires Accessory Motor Square Instalation Block + Clip 6-700-BR-SQ005



VTi RE-LION Celtic AC Electronic Limits Motor | Unidirectional | 6 Nm
6-800-ME-35B06 (110V)



VTi RE-LION Celtic AC Mechanical Limits Motor | Bidirectional | 6 Nm
6-800-MM-35B06 (110V)



VTi RE-LION Celtic AC Electronic Limits Motor | Bidirectional | 6 Nm
6-800-ME-35BC6 (110V)



VTi RE-LION Celtic AC Mechanical Limits Motor | Bidirectional | 6 Nm
6-800-MM-35BC06 (110V)



VTi RE-LION Celtic AC Electronic Limits Motor | Bidirectional | Wi-Fi | 6 Nm
6-800-ME-35BW6 (110V)



VTi RE-LION Celtic AC Standard Motor | 6 Nm
6-800-MM-35S06 (110V)



VTi RE-LION Celtic AC Electronic Limits Motor | Unidirectional | 6 Nm
6-800-ME-35U06 (110V)



VTi RE-LION Celtic AC Mechanical Limits Motor | Unidirectional | 6 Nm
6-800-MM-35U06 (110V)

NOTE: The maximum shade size of Zip Cassette System varies depending on the weight capacity of each motor. For more information refer to the technical sheet of the motor.



ZIP CASSETTE SYSTEM

COMPATIBLE MOTORS | MOTORES COMPATIBLES

SERIE Ø45



VTi RE-LION Celtic AC Electronic Limits Motor | Bidirectional | 20 Nm
6-800-ME-45B20 (110V)



VTi RE-LION Celtic AC Standard Motor | 20 Nm
6-800-MM-45S20 (110V)



VTi RE-LION Celtic AC Electronic Limits Motor | Bidirectional | Wi-Fi | 20 Nm
6-800-ME-45BW2 (110V)



VTi RE-LION Celtic AC Mechanical Limits Motor | Unidirectional | 20 Nm
6-800-MM-45U20 (110V)



VTi RE-LION Celtic AC Electronic Limits Motor | Unidirectional | 20 Nm
6-800-ME-45U20 (110V)

NOTE: The maximum shade size of Zip Cassette System varies depending on the weight capacity of each motor. For more information refer to the technical sheet of the motor.



ZIP CASSETTE SYSTEM

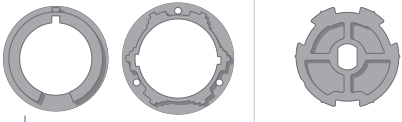


COMPATIBLE TUBES & ADAPTERS FOR MOTORIZATION

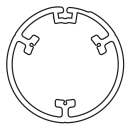
TUBOS COMPATIBLES Y ADAPTADORES PARA MOTORIZACIÓN

SERIE Ø35

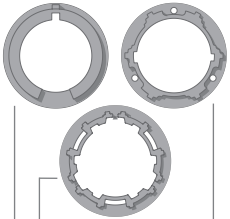

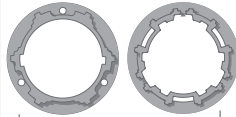


2 1/2" (63mm) ALUMINUM TUBE

CODE	DESCRIPTION	CROWN	DRIVE	PIN END ADAPTER
0-154-TU-63011	2 1/2" (63 mm) Structured Aluminum Tube w/Recessed & Flat Channel with Tape MF 19'	 <p>6-700-AC-35K50 & 0-140-05-TA065</p>	 <p>6-700-AD-45063</p>	 <p>0-140-05-TA065</p>
0-154-TU-63021	2 1/2" (63 mm) Structured Aluminum Tube w/Recessed & Flat Channel & no Tape MF 19'			



3 1/4" (83mm) STRUCTURED ALUMINUM TUBE

CODE	DESCRIPTION	CROWN	DRIVE	PIN END ADAPTER
0-154-TU-83021	3 1/4" (83 mm) Structured Aluminum Tube w/Recessed & Flat Channel Mill Finish 19'	 <p>6-700-AC-35K50 0-140-05-TA065 & 6-700-AZ-63083</p>	 <p>6-700-AD-45063</p>	 <p>0-140-05-TA065 & 6-700-AZ-63083</p>





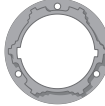
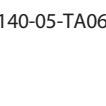
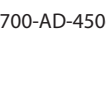
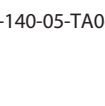
ZIP CASSETTE SYSTEM

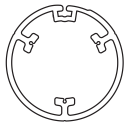
COMPATIBLE TUBES & ADAPTERS FOR MOTORIZATION
 TUBOS COMPATIBLES Y ADAPTADORES PARA MOTORIZACIÓN

SERIE Ø45








2 1/2" (63mm) ALUMINUM TUBE

CODE	DESCRIPTION	CROWN	DRIVE	PIN END ADAPTER
0-154-TU-63011	2 1/2" (63 mm) Structured Aluminum Tube w/Recessed & Flat Channel with Tape MF 19'			
0-154-TU-63021	2 1/2" (63 mm) Structured Aluminum Tube w/Recessed & Flat Channel & no Tape MF 19'			
		0-140-05-TA065	6-700-AD-45063	0-140-05-TA065



3 1/4" (83mm) STRUCTURED ALUMINUM TUBE

CODE	DESCRIPTION	CROWN	DRIVE	PIN END ADAPTER
0-154-TU-83021	3 1/4" (83 mm) Structured Aluminum Tube w/Recessed & Flat Channel Mill Finish 19'	 		 
		0-140-05-TA065 & 6-700-AZ-63083	6-700-AD-45063	0-140-05-TA065 & 6-700-AZ-63083



VERTILUX

IDEAS FOR YOUR SPACE

1.800.356.8837

sales@vertilux.com

vertilux.com