



**VERTILUX**  
IDEAS FOR YOUR SPACE

# AXIO SYSTEM

DROP SHADE



## FEATURES

AXIO SYSTEM is the best solution for oversized roller shades that provides the resistance of an exterior shade with the aesthetically pleasing look of an interior shade. This highly durable system can be used both outdoors and indoors given that all of its components are made of stainless steel, which eliminates the risk of oxidation.

When it comes to installation and configuration, AXIO SYSTEM is a highly versatile system. It can be used with cable or rod guidance options and with crank or motor operation systems.

## APPLICATIONS



Drop Shades

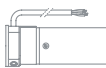


Indoor & Outdoor Use

## OPERATION OPTIONS



Crank



VTi<sup>®</sup> Celtic Motor

## GUIDED OPTIONS



Cable



Rod

\*Both options are available for wall or floor installation.



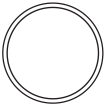
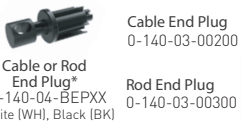


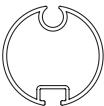








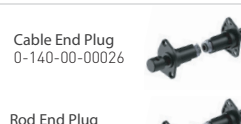
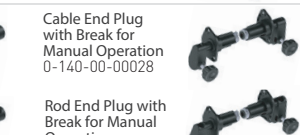

# AXIO SYSTEM

## TECHNICAL SHEET | FICHA TÉCNICA

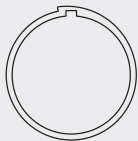
### TECHNICAL SPECS

Maximum Width	19.6'   6 m	Mounting Options	Wall or Ceiling
Maximum Height	Guideless: 29.5'   9 m Cable: 16.4'   5 m Rod: 11.8'   3.6 m	Guided Options	Stainless Steel Cable or Rod
Maximum Weight	70-110 lb   32-50 kg	Operation Option	Crank or Motor
Tube Diameter $\varnothing$	2"   50 mm up to 9.8'   3 m of width 2 1/2"   63 mm up to 14.7'   4.48 m of width 3 1/4"   83 mm up to 19.6'   6 m of width	Minimum Torque for Motorization	6 Nm

### BOTTOMRAIL TUBES OPTIONS

	PROFILES	GUIDED	GUIDELESS	OPTIONAL
Hidden	 <p>1 1/8"   40 mm Galvanized Steel Internal Bottomrail 0-154-TU-G4022 Length: 19.6'</p>	 <p>Cable End Plug 0-140-03-00200 Cable or Rod End Plug* 0-140-04-BEPXX White (WH), Black (BK)</p> <p>Rod End Plug 0-140-03-00300</p>	 <p>Cable End Plug for Manual Operation 0-140-03-00401</p> <p>Rod End Plug for Manual Operation 0-140-03-00400</p>	 <p>End Caps 0-140-04-EC04X White (W), Black (B)</p> <p>Clear Protector Clip 0-140-04-CPC40</p>
Visible	 <p>1 1/8"   40 mm* Aluminum Bottomrail with Round &amp; Flat Channels 0-151-AL-ARXXY Length: 19'</p>	 <p>Cable End Plug 0-140-03-00200</p> <p>Rod End Plug 0-140-03-00300</p>	 <p>Cable End Plug for Manual Operation 0-140-03-00401</p> <p>Rod End Plug for Manual Operation 0-140-03-00400</p>	 <p>End Caps 0-140-04-EC04X White (W), Black (B)</p> <p>Clear Protector Clip 0-140-04-CPC40</p> <p>Anchor Set for Manual Operation 0-140-07-10271</p>
	 <p>1 1/8"   40 mm* Aluminum Bottomrail with 2 Round Channels - White 0-151-AL-AAW19 Length: 19.5'</p>	 <p>Cable End Plug 0-140-03-00200</p> <p>Rod End Plug 0-140-03-00300</p>	 <p>Cable End Plug for Manual Operation 0-140-03-00401</p> <p>Rod End Plug for Manual Operation 0-140-03-00400</p>	 <p>End Caps 0-140-04-EC04X White (W), Black (B)</p> <p>Clear Protector Clip 0-140-04-CPC40</p>
	 <p>Straight Profile PU5* 0-140-00-00020 - White 0-140-00-00025 - Black Length: 19.5'</p> <p>*6mm Insert required: 0-140-07-79010</p>	 <p>Cable End Plug 0-140-00-00026</p> <p>Rod End Plug 0-140-00-00027</p>	 <p>Cable End Plug with Break for Manual Operation 0-140-00-00028</p> <p>Rod End Plug with Break for Manual Operation 0-140-00-00029</p>	 <p>End Caps 0-140-00-00023</p> <p>Anchor Set for Manual Operation 0-140-07-10272</p>

### RECOMMENDED TUBES



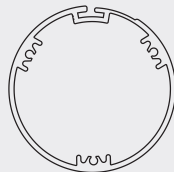
Up to 14.7' | 4.5 m of Width

2" | 50 mm

Keyed  
Aluminum Tube

0-154-TU-5021X

Length: 19'



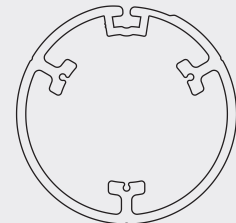
Up to 14.7' | 4.5 m of Width

2 1/2" | 63 mm

Structured  
Aluminum Tube

0-154-TU-630XX

Length: 19'



Up to 19.6' | 6 m of Width

3 1/4" | 83 mm

Structured  
Aluminum Tube

0-154-TU-83021

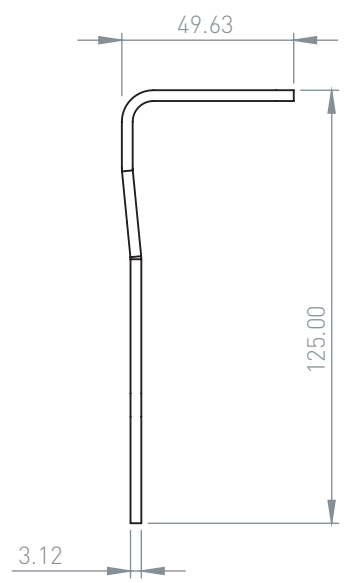
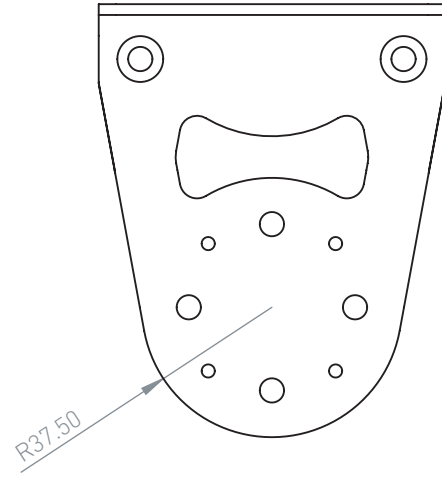
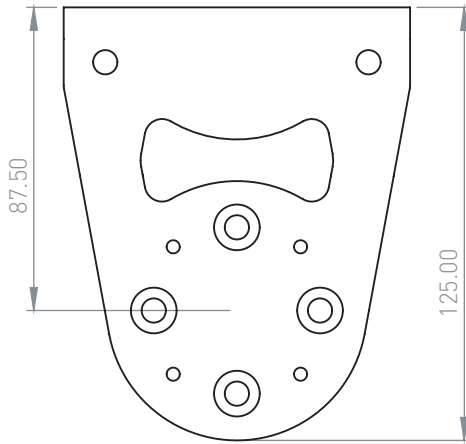
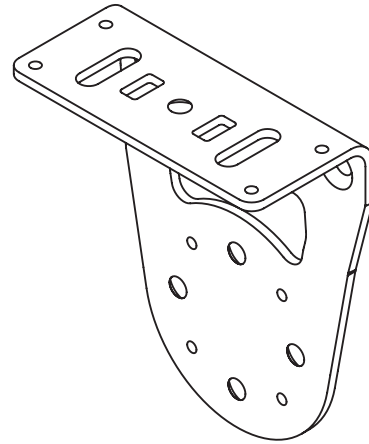
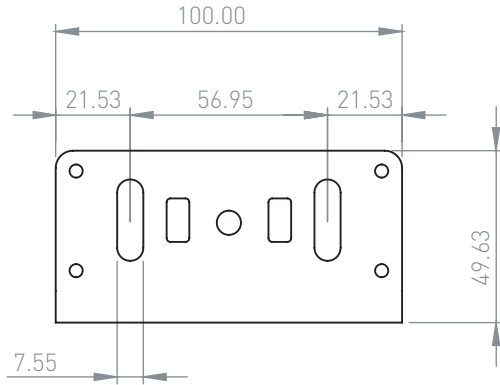
Length: 19'



# AXIO SYSTEM

DIMENSIONS | DIMENSIONES

## AXIO SYSTEM BRACKETS



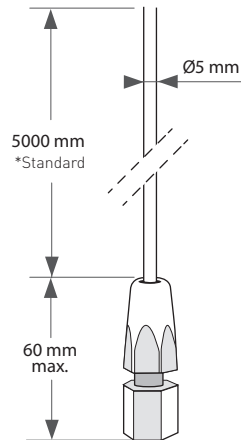
\*All measurements are reflected in millimeters.



# AXIO SYSTEM

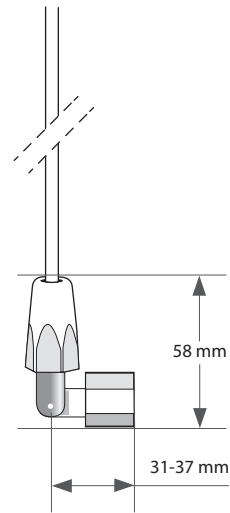
DIMENSIONS | DIMENSIONES

## CABLE INSTALLATION



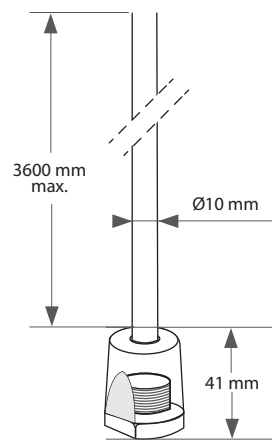
Floor Installation

\*Longer measurement under request.

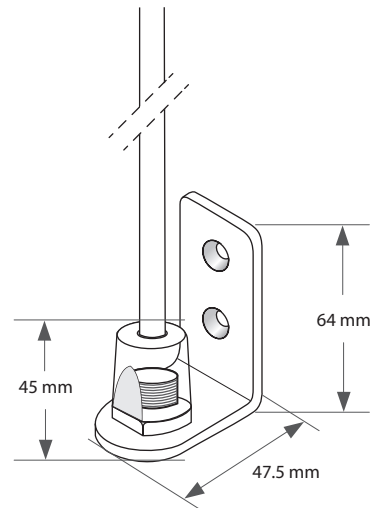


Wall Installation

## ROD INSTALLATION



Floor Installation



Wall Installation

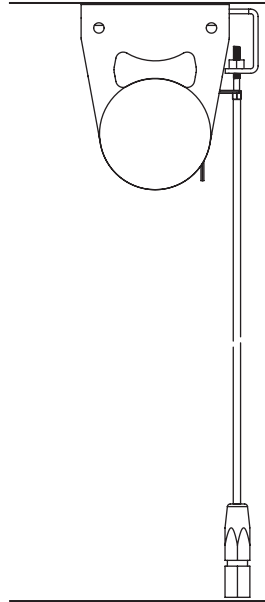


# AXIO SYSTEM

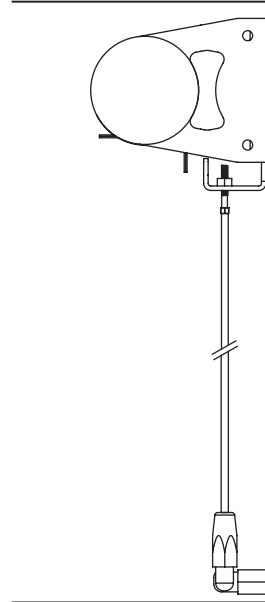
MOUNTING OPTIONS | OPCIONES DE MONTAJE

## CABLE INSTALLATION

---



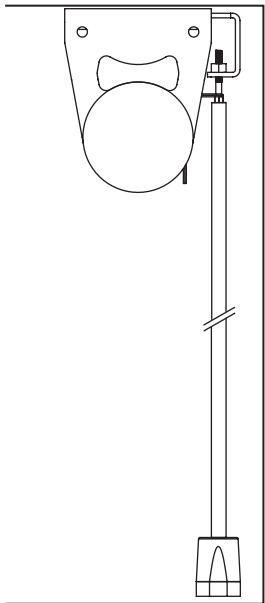
Ceiling support  
and floor bracket



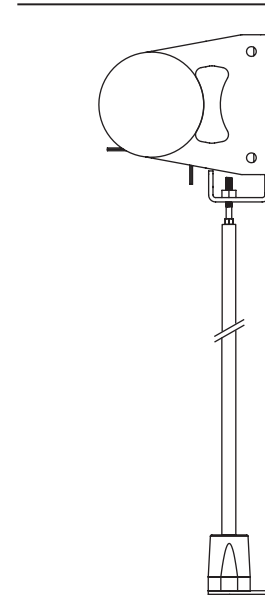
Wall support  
and wall bracket

## ROD INSTALLATION

---



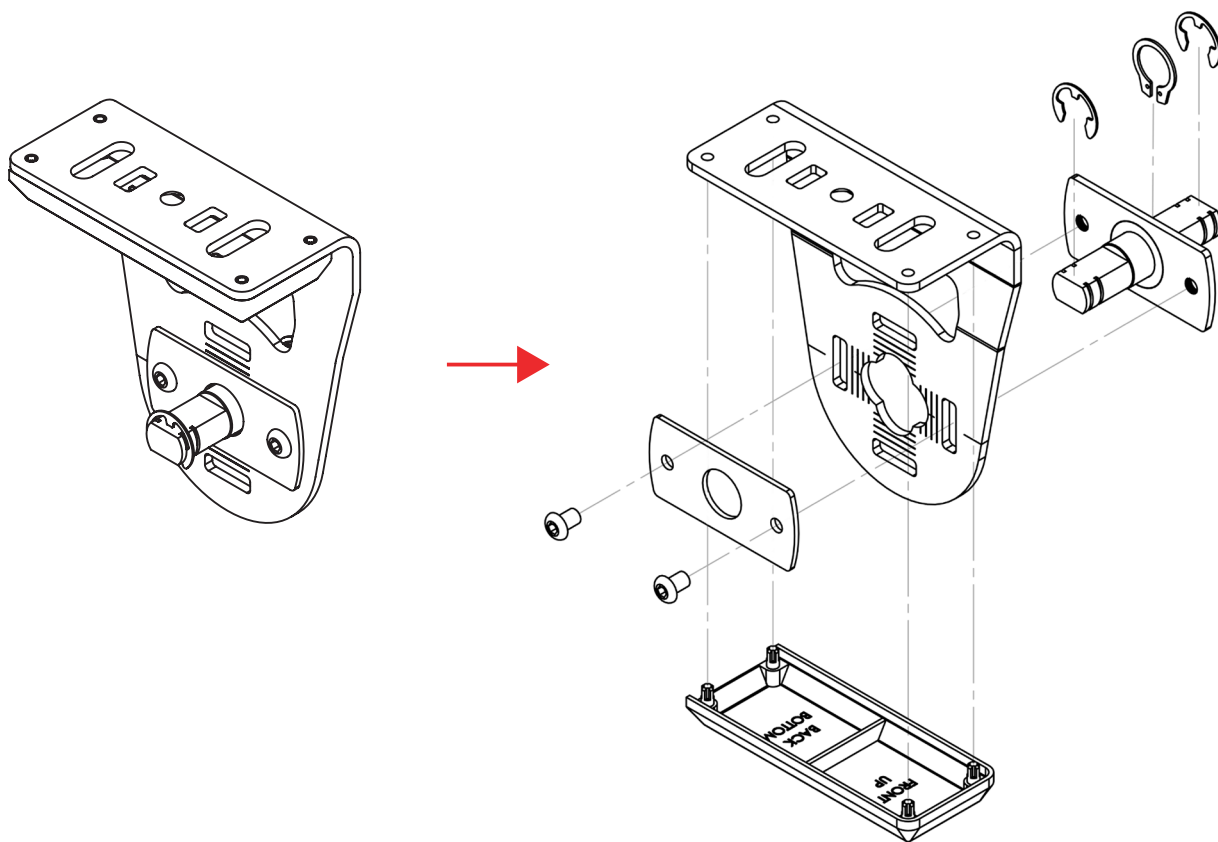
Ceiling support  
and floor bracket



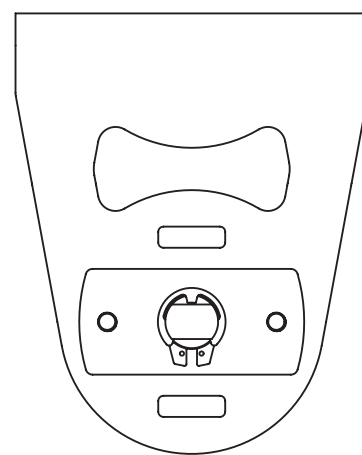
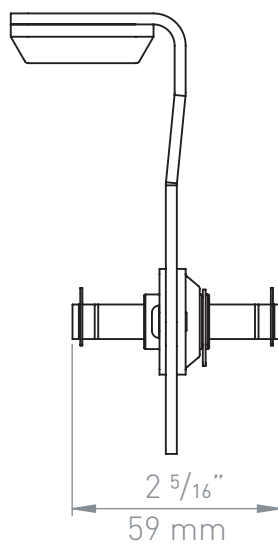
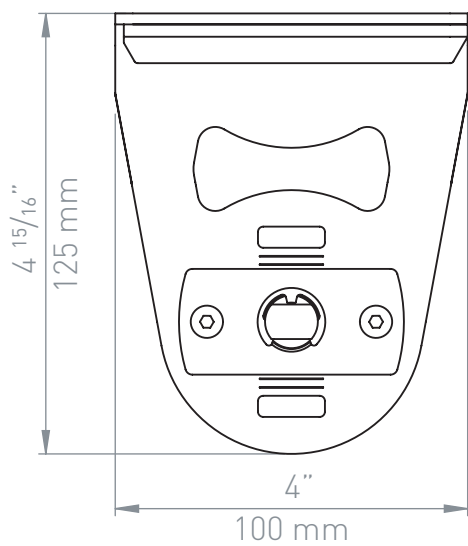
Wall support  
and wall bracket



**AXIO SYSTEM**  
**DIRECT DRIVE BRACKET SET**  
 0-140-04-P04XX



**GENERAL DIMENSIONS**

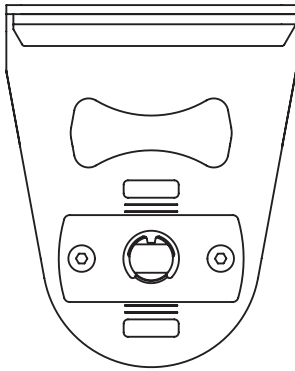




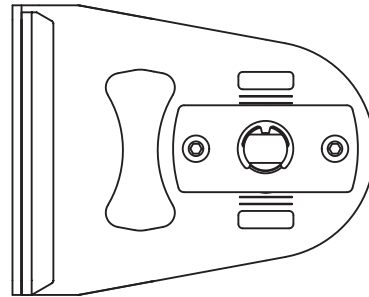
**AXIO SYSTEM**  
DIRECT DRIVE BRACKET SET  
0-140-04-P04XX

INSTALLATION OPTIONS

Ceiling

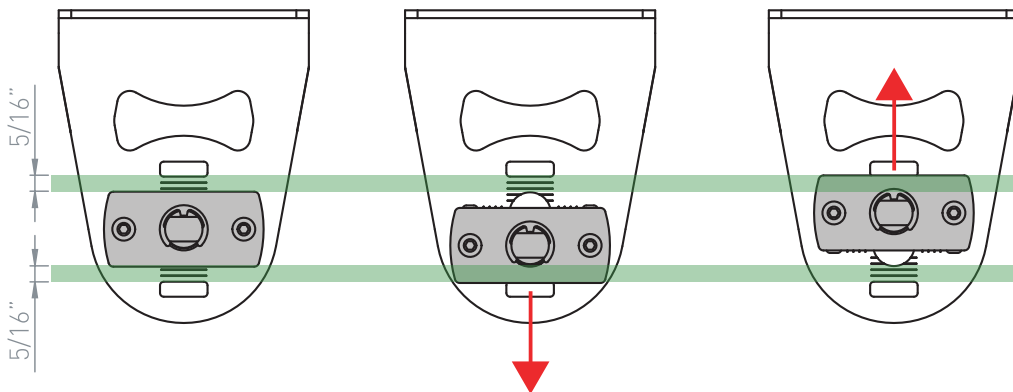


Wall



LEVELING

Axis displacement:  $\frac{5}{16}$ " up and down.



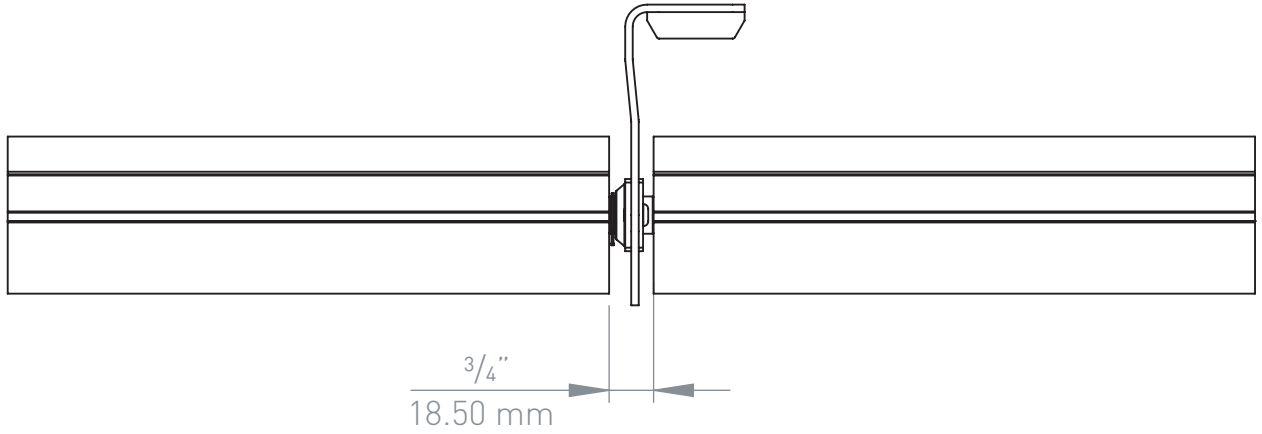
Allows to adjust the height of the shaft for leveling. Total displacement capacity  $\frac{5}{8}$ "





**AXIO SYSTEM**  
DIRECT DRIVE BRACKET SET  
0-140-04-P04XX

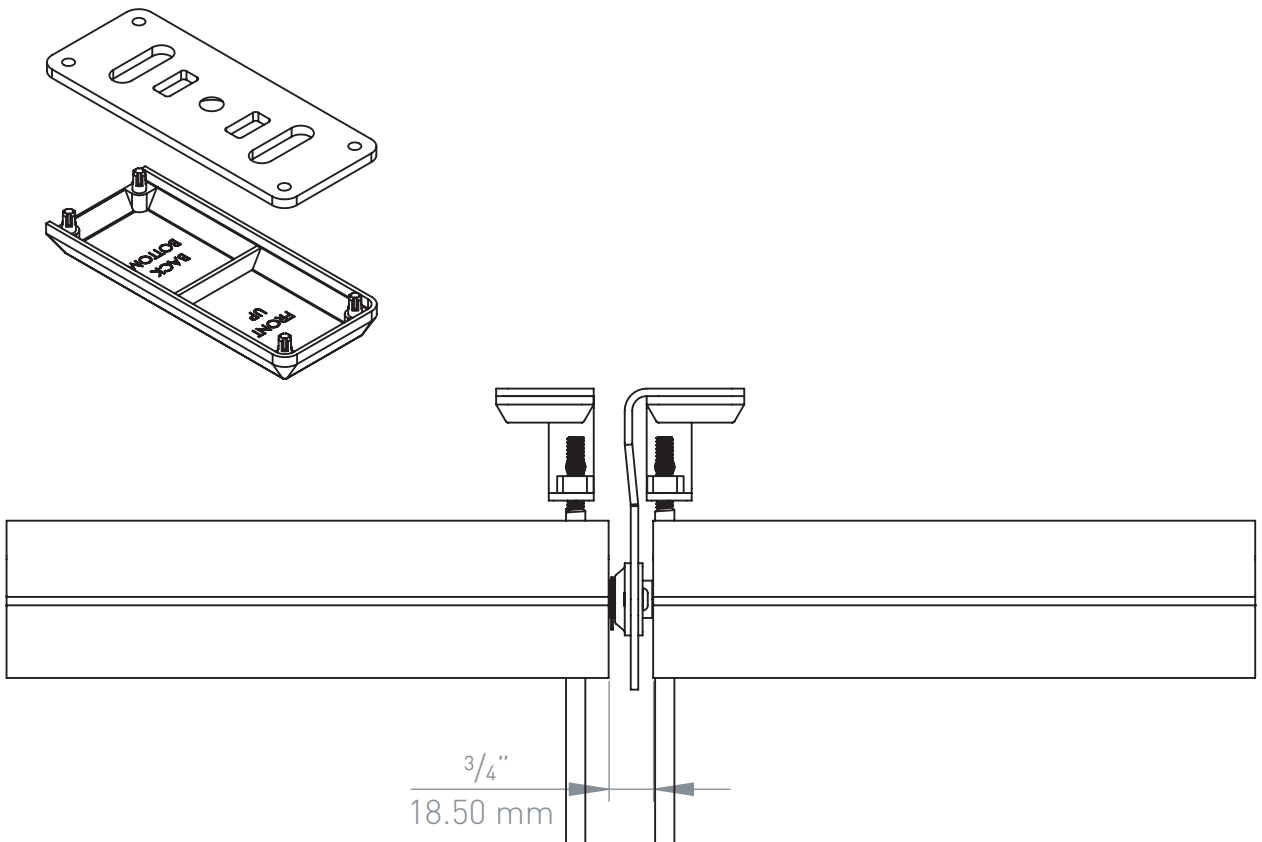
**GAP FOR GUIDED & FREE HANGING INSTALLATION**



**GUIDED INSTALLATION**

Cable or Rod

Accessory 0-140-04-P05XX





AXIO SYSTEM DROP SHADES

# INSTALLATION OPTIONS

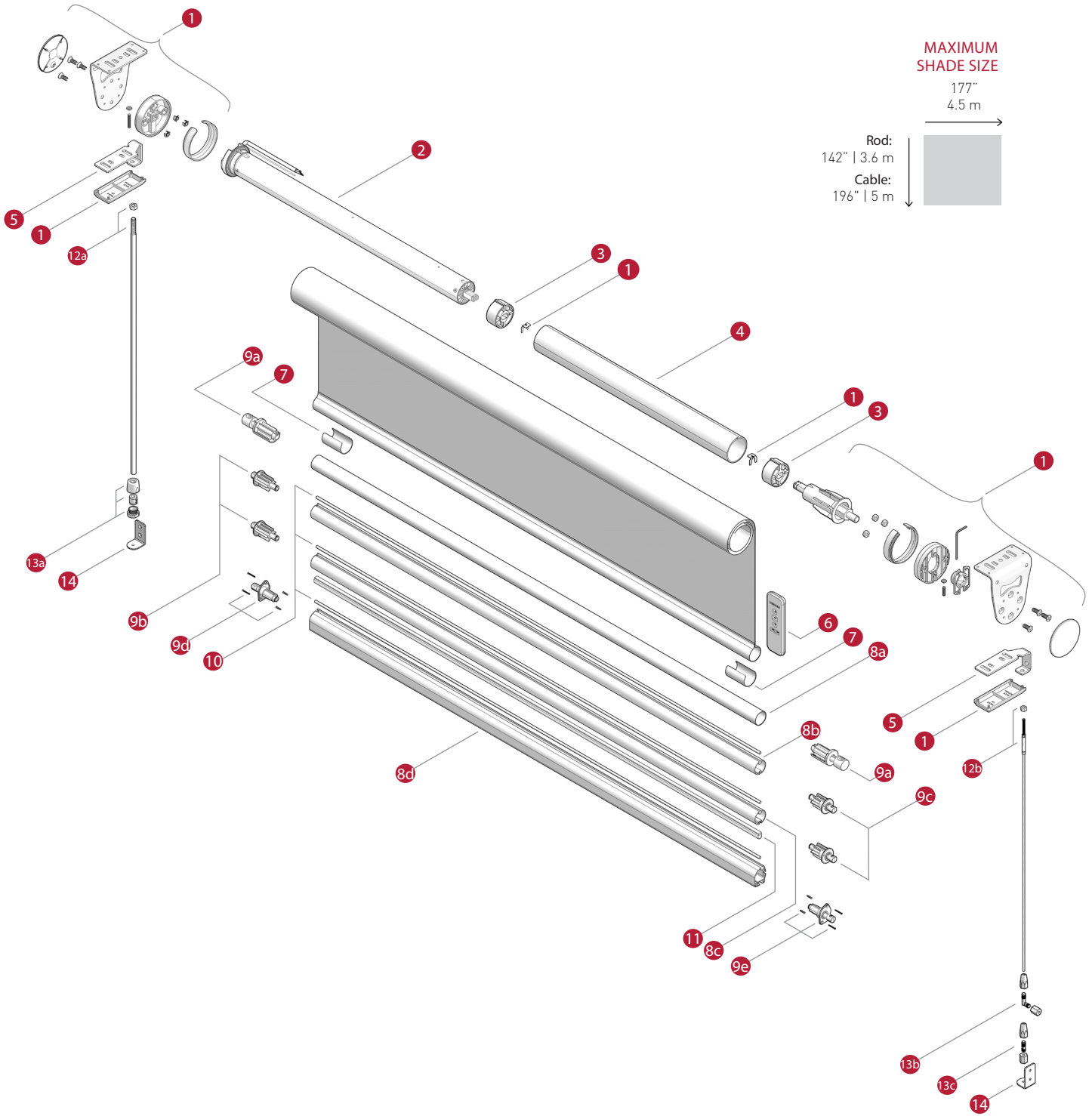
OPCIONES DE INSTALACIÓN





# MOTORIZED AXIO SYSTEM ROD | CABLE SYSTEM WITH 50 mm TUBE

SCHEMATIC DIAGRAM | DESPIECE DEL SISTEMA





# MOTORIZED AXIO SYSTEM ROD | CABLE SYSTEM WITH 50 mm TUBE

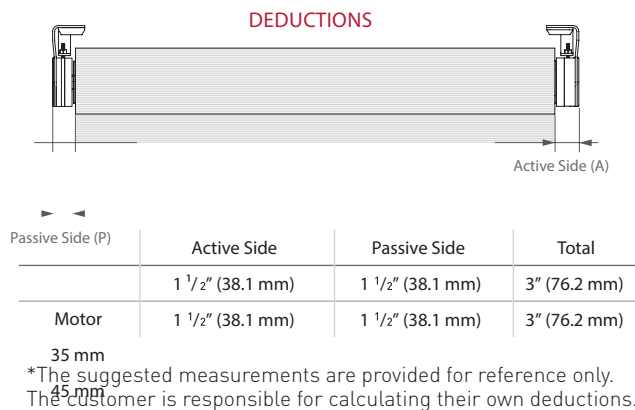
## SCHEMATIC DIAGRAM | DESPIECE DEL SISTEMA

### LEGEND | LEYENDA

NO.	DESCRIPTION	CODE	QTY
1	AXIO System - Set for Motorized Shade	0-140-04-P01XX	1
2	VTi® RE-LION Celtic Motor	6-800-ME-45B20*	1
3	Drive for 1 3/8" (35mm) "A" Shaft Motors & 2" (50mm) Keyed Tube	6-700-AD-35K50	2
4	2" (50 mm) Aluminum Keyed Tube	0-154-TU-5021X	-**
5	Guiding Plates for Cable or Rod, Left & Right	0-140-04-P03XX	1
6	Remote Control (Multiple options available. See Vertilux Control Solutions Catalog)	6-700-AT-XXXXX	1
7	Clear Plastic Protector Clip for 1 1/16" (40 mm) Bottomrail Tube	0-140-04-CPC40	2
8a	1 1/16" (40mm) Galvanized Bottomrail Tube	0-154-TU-G4022	-**
8b	1 1/16" (40mm) Atos&AXIO Aluminum Bottomrail Tube With 2 Round Channels	0-151-AL-AAW19	-**
8c	1 1/16" (40mm) Atos&AXIO Aluminum Bottomrail Tube With Round & Rect. Channels	0-151-AL-ARX19	-**
8d	Straight Profile PU5	0-140-00-00020/5	-**
9a	Cable/Rod Guided Endplug for 1 1/16" (40mm) Bottomrail	0-140-04-BEPXX	2
9b	Guided End Plug For Rod	0-140-03-00300	2
9c	Guided End Plug For Cable	0-140-03-00200	2
9d	Rod Guided End Plug for PU5	0-140-00-00027	1
9e	Cable Guided End Plug for PU5	0-140-00-00026	1
10	6mm Hard Plastic Insert	0-140-07-79010	-**
11	Rubber Weatherrip For 1 1/16" (40mm) Al. Bottomrail With Round & Rect. Channels	0-140-07-24225	-**
12a	Stainless Steel Rod 12' x 3/8" With Outside Thread	0-153-01-00TOT	2
12b	3/16" (5 mm) Cable Set (2) with Threaded Stud	0-140-04-01700	1
13a	3/8" (10 mm) Stainless Steel Rod Fastener	0-140-04-01500	2
13b	Stainless Steel 5mm Cable Fastener - Wall	0-140-04-01520	2
13c	Stainless Steel 5mm Cable Fastener - Floor	0-140-04-01515	2
14	Stainless Steel Angle Bracket for Cable/Rod Fastener	0-140-04-01600	2

\*Other options also available

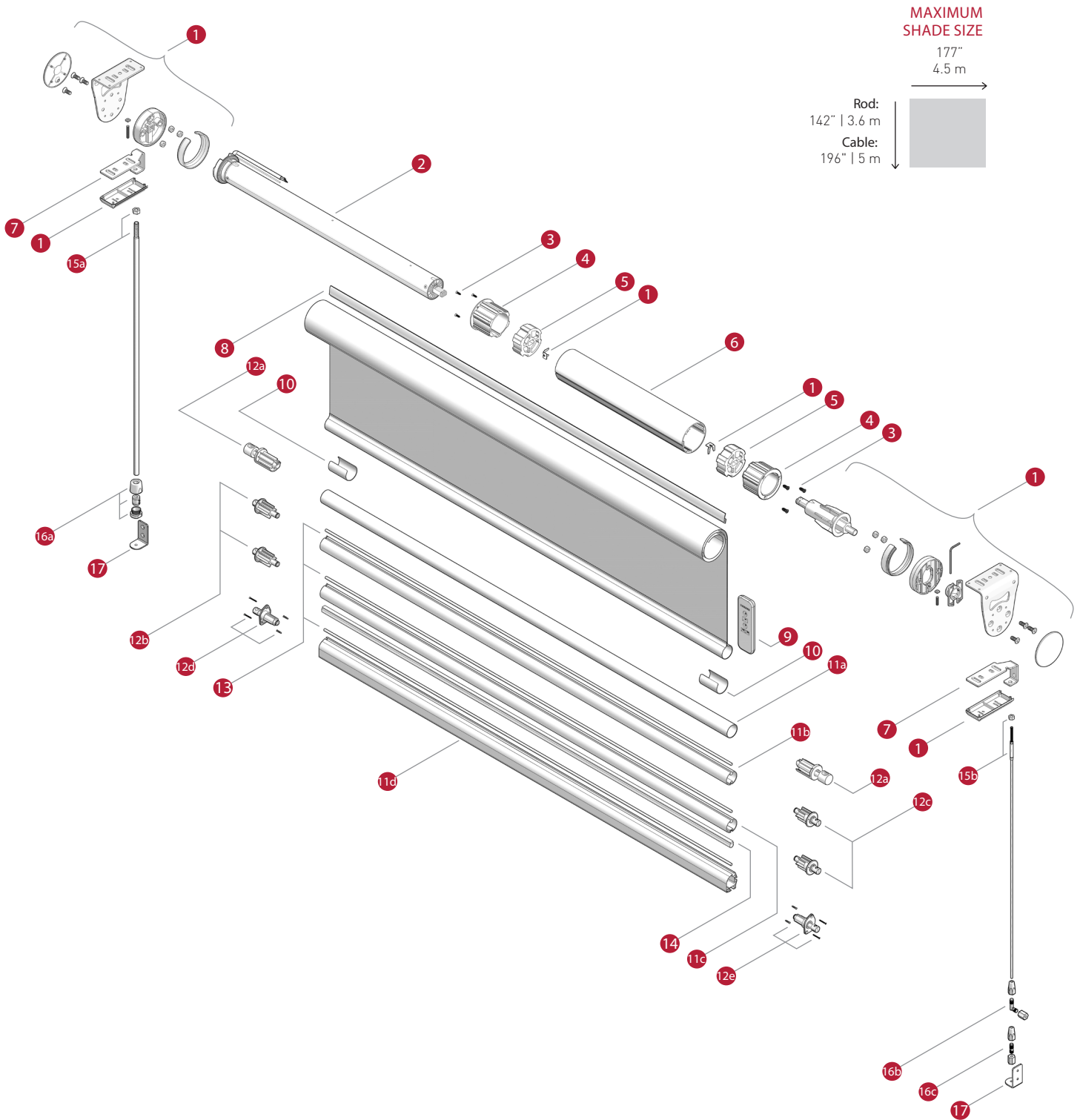
\*\*The quantity per shade varies depending on the width of the shade





# MOTORIZED AXIO SYSTEM ROD | CABLE SYSTEM WITH 63 mm TUBE

SCHEMATIC DIAGRAM | DESPIECE DEL SISTEMA





# MOTORIZED AXIO SYSTEM ROD | CABLE SYSTEM WITH 63 mm TUBE

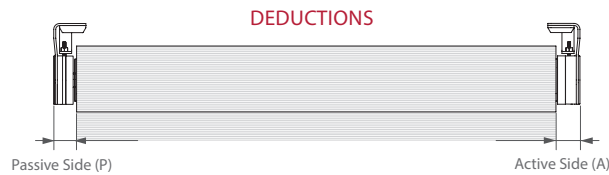
## SCHEMATIC DIAGRAM | DESPIECE DEL SISTEMA

### LEGEND | LEYENDA

NO.	DESCRIPTION	CODE	QTY
1	AXIO System - Set for Motorized Shade	0-140-04-P01XX	1
2	VTi® RE-LION Celtic Motor	6-800-ME-45B20*	1
3	Stainless Steel Screw 3.5x19 mm	0-140-05-03519	6
4	Crown Adapter for 1 3/4" (45 mm) Motor & 2 1/2" (63 mm) Tube	6-700-AC-45063	2
5	Drive adapter for 1 3/4" (45 mm) Motor & 2 1/2" (63 mm) Tube	6-700-AD-45063	2
6	2 1/2" (63 mm) Aluminum Tube	0-154-TU-630XX	-**
7	Guiding Plates for Cable or Rod, Left & Right	0-140-04-P03XX	1
8	2 1/2" (63 mm) Tube Channel Flat Insert	0-151-R1-00230	-**
9	Remote Control (Multiple options available. See Vertilux Control Solutions Catalog)	6-700-AT-XXXXX	1
10	Clear Plastic Protector Clip for 1 1/16" (40 mm) Bottomrail Tube	0-140-04-CPC40	2
11a	1 1/16" (40mm) Galvanized Bottomrail Tube	0-154-TU-G4022	-**
11b	1 1/16" (40mm) Atos&AXIO Aluminum Bottomrail Tube With 2 Round Channels	0-151-AL-AAW19	-**
11c	1 1/16" (40mm) Atos&AXIO Aluminum Bottomrail Tube With Round & Rect. Channels	0-151-AL-ARX19	-**
11d	Straight Profile PU5	0-140-00-00020/5	-**
12a	Cable/Rod Guided Endplug for 1 1/16" (40mm) Bottomrail	0-140-04-BEPXX	2
12b	Guided End Plug For Rod	0-140-03-00300	2
12c	Guided End Plug For Cable	0-140-03-00200	2
12d	Rod Guided End Plug for PU5	0-140-00-00027	1
12e	Cable Guided End Plug for PU5	0-140-00-00026	1
13	6mm Hard Plastic Insert	0-140-07-79010	-**
14	Rubber Weathertrip For 1 1/16" (40mm) AL. Bottomrail With Round & Rect. Channels	0-140-07-24225	-**
15a	Stainless Steel Rod 12' x 3/8" With Outside Thread	0-153-01-00TOT	2
15b	3/16" (5 mm) Cable Set (2) with Threaded Stud	0-140-04-01700	1
16a	3/8" (10 mm) Stainless Steel Rod Fastener	0-140-04-01500	2
16b	Stainless Steel 5mm Cable Fastener - Wall	0-140-04-01520	2
16c	Stainless Steel 5mm Cable Fastener - Floor	0-140-04-01515	2
17	Stainless Steel Angle Bracket for Cable/Rod Fastener	0-140-04-01600	2

\*Other options also available

\*\*The quantity per shade varies depending on the width of the shade



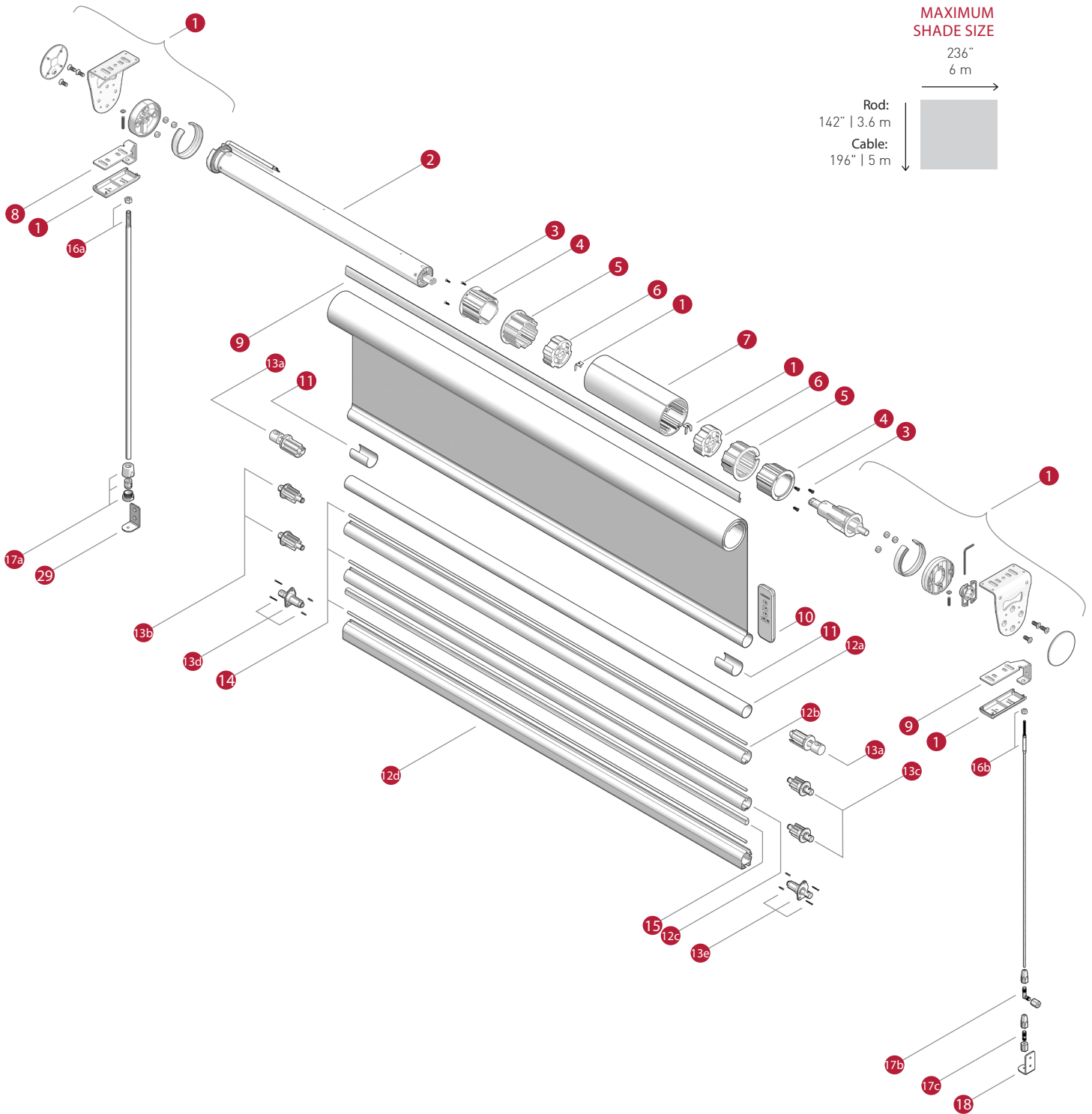
Motor	Active Side	Passive Side	Total
35 mm	1 5/8" (41.3 mm)	1 1/2" (38.1 mm)	3 1/8" (79.4 mm)
45mm	1 5/8" (41.3 mm)	1 1/2" (38.1 mm)	3 1/8" (79.4 mm)
45mm w/MO	2 1/8" (54 mm)	1 1/2" (38.1 mm)	3 5/8" (92.1 mm)

\*The suggested measurements are provided for reference only.  
The customer is responsible for calculating their own deductions.



# MOTORIZED AXIO SYSTEM ROD | CABLE SYSTEM WITH 83 mm

SCHEMATIC DIAGRAM | DESPIECE DEL SISTEMA





# MOTORIZED AXIO SYSTEM ROD | CABLE SYSTEM WITH 83 mm TUBE

## SCHEMATIC DIAGRAM | DESPIECE DEL SISTEMA

### LEGEND | LEYENDA

NO.	DESCRIPTION	CODE	QTY
1	AXIO System - Set for Motorized Shade	0-140-04-P01XX	1
2	VTi® RE-LION Celtic Motor	6-800-ME-45B20*	1
3	Stainless Steel Screw 3.5x19 mm	0-140-05-03519	6
4	Crown Adapter for 1 3/4" [45 mm] Motor & 2 1/2" [63 mm] Tube	6-700-AC-45063	2
5	Adapter for change from 2 1/2" [63 mm] to 3 1/4" [83 mm] Tube	6-700-AZ-63083	2
6	Drive adapter for 1 3/4" [45 mm] Motor & 2 1/2" [63 mm] Tube	6-700-AD-45063	2
7	3 1/4" [83mm] Structural Aluminum Tube	0-154-TU-8302X	-**
8	Guiding Plates for Cable or Rod, Left & Right	0-140-04-P03XX	1
9	3 1/4" [83mm] Tube Channel Flat Insert	0-151-R1-00220	-**
10	Remote Control (Multiple options available. See Vertilux Control Solutions Catalog)	6-700-AT-XXXXX	1
11	Clear Plastic Protector Clip for 1 1/16" [40 mm] Bottomrail Tube	0-140-04-CPC40	2
12a	1 1/16" [40mm] Galvanized Bottomrail Tube	0-154-TU-G4022	-**
12b	1 1/16" [40mm] Atos&AXIO Aluminum Bottomrail Tube With 2 Round Channels	0-151-AL-AAW19	-**
12c	1 1/16" [40mm] Atos&AXIO Aluminum Bottomrail Tube With Round & Rect. Channels	0-151-AL-ARX19	-**
12d	Straight Profile PU5	0-140-00-00020/5	-**
13a	Cable/Rod Guided Endplug for 1 1/16" [40mm] Bottomrail	0-140-04-BEPXX	2
13b	Guided End Plug For Rod	0-140-03-00300	2
13c	Guided End Plug For Cable	0-140-03-00200	2
13d	Rod Guided End Plug for PU5	0-140-00-00027	1
13e	Cable Guided End Plug for PU5	0-140-00-00026	1
14	6mm Hard Plastic Insert	0-140-07-79010	-**
15	Rubber Weatherrip For 1 1/16" [40mm] Al. Bottomrail With Round & Rect. Channels	0-140-07-24225	-**
16a	Stainless Steel Rod 12' x 3/8" With Outside Thread	0-153-01-00TOT	2
16b	3/16" (5 mm) Cable Set (2) with Threaded Stud	0-140-04-01700	1
17a	3/8" (10 mm) Stainless Steel Rod Fastener	0-140-04-01500	2
17b	Stainless Steel 5mm Cable Fastener - Wall	0-140-04-01520	2
17c	Stainless Steel 5mm Cable Fastener - Floor	0-140-04-01515	2
18	Stainless Steel Angle Bracket for Cable/Rod Fastener	0-140-04-01600	2

\*Other options also available

\*\*The quantity per shade varies depending on the width of the shade

**DEDUCTIONS**

Motor	Active Side	Passive Side	Total
35 mm	1 5/8" (41.3 mm)	1 1/2" (38.1 mm)	3 1/8" (79.4 mm)
45mm	1 5/8" (41.3 mm)	1 1/2" (38.1 mm)	3 1/8" (79.4 mm)
45mm w/MO	2 1/8" (54 mm)	1 1/2" (38.1 mm)	3 5/8" (92.1 mm)

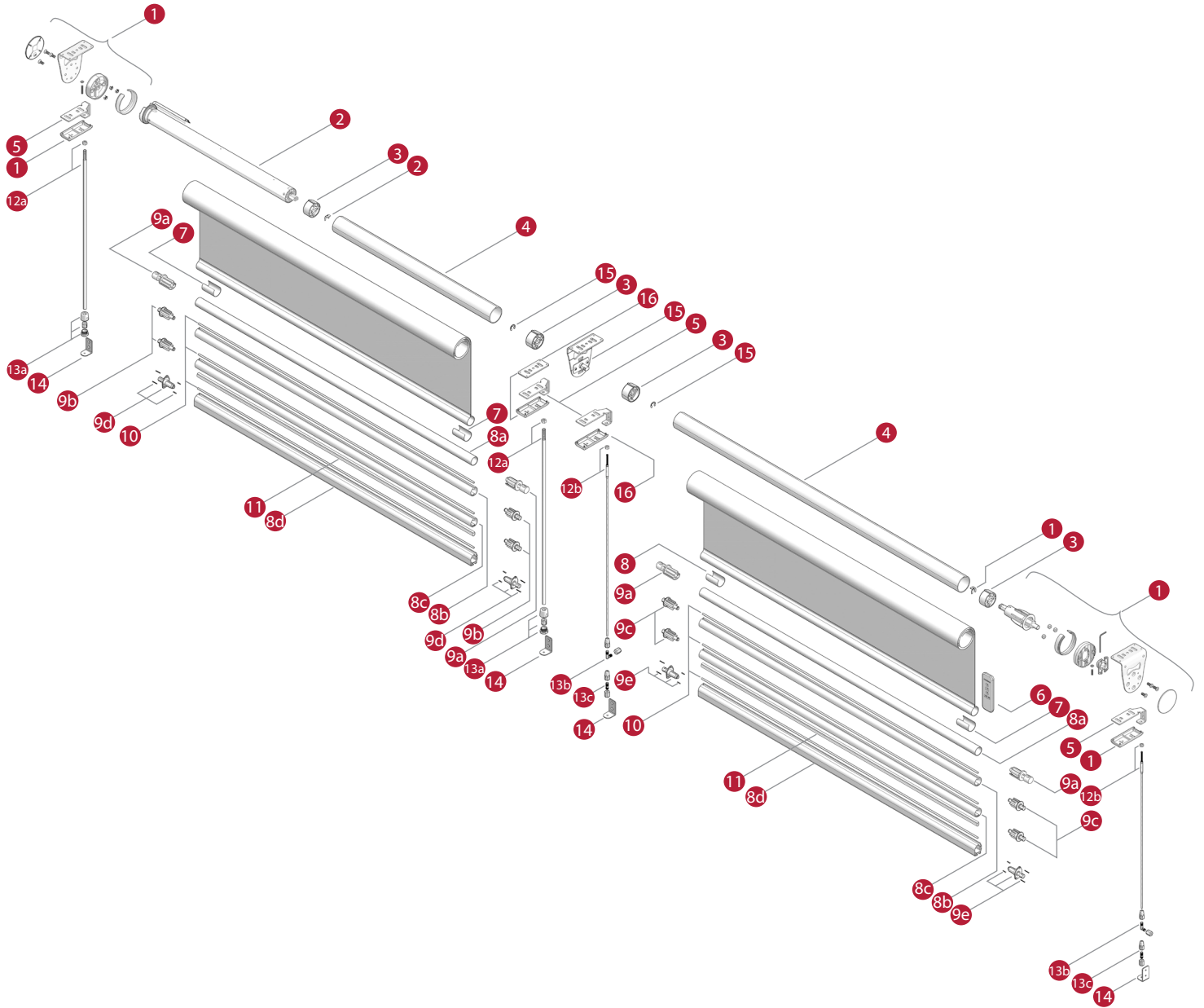
\*The suggested measurements are provided for reference only.  
The customer is responsible for calculating their own deductions.





# MOTORIZED DIRECT DRIVE AXIO SYSTEM ROD | CABLE SYSTEM WITH 50 mm, 63 mm or 83 mm TUBE

SCHEMATIC DIAGRAM | DESPIECE DEL SISTEMA





# MOTORIZED AXIO SYSTEM ROD | CABLE SYSTEM WITH 83 mm TUBE WITH 50 mm, 63 mm or 83 mm TUBE

SCHEMATIC DIAGRAM | DESPIECE DEL SISTEMA

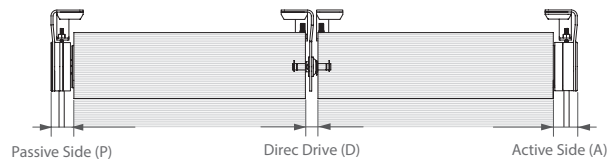
## LEGEND | LEYENDA

NO.	DESCRIPTION	CODE	QTY
1	AXIO System - Set for Motorized Shade	0-140-04-P01XX	1
2	VTi® RE-LION Celtic Motor	6-800-ME-45B20*	1
3	Drive for 1 3/8" (35mm) "A" Shaft Motors & Aluminum Tube	6-700-AD-XXXX	4
4	Aluminum Tube (Multiple options available. See Vertilux Control Solutions Catalog)	0-154-TU-XXXX	-**
5	Guiding Plates for Cable or Rod, Left & Right	0-140-04-P03XX	2
6	Remote Control (Multiple options available. See Vertilux Control Solutions Catalog)	6-700-AT-XXXX	1
7	Clear Plastic Protector Clip for 1 1/16" (40 mm) Bottomrail Tube (optional)	0-140-04-CPC40	4
8a	1 1/16" (40mm) Galvanized Bottomrail Tube	0-154-TU-G4022	-**
8b	1 1/16" (40mm) Atos&AXIO Aluminum Bottomrail Tube With 2 Round Channels	0-151-AL-AAW19	-**
8c	1 1/16" (40mm) Patio Aluminum Bottomrail Tube	0-151-AL-ARX19	-**
8d	Straight Profile PU5	0-140-00-00020/5	-**
9a	Cable/Rod Guided Endplug for 1 1/16" (40mm) Bottomrail	0-140-04-BEPXX	4
9b	Guided End Plug For Rod	0-140-03-00300	4
9c	Guided End Plug For Cable	0-140-03-00200	4
9d	Rod Guided End Plug for PU5	0-140-00-00027	2
9e	Cable Guided End Plug for PU5	0-140-00-00026	2
10	6mm Hard Plastic Insert	0-140-07-79010	-**
11	Rubber Weatherstrip For 1 1/16" (40mm) Al. Patio Bottomrail	0-140-07-24225	-**
12a	Stainless Steel Rod 12' x 3/8" With Outside Thread	0-153-01-00TOT	4
12b	3/16" (5 mm) Cable Set (2) with Threaded Stud	0-140-04-01700	2
13a	3/8" (10 mm) Stainless Steel Rod Fastener	0-140-04-01500	4
13b	Stainless Steel 5mm Cable Fastener - Wall	0-140-04-01520	4
13c	Stainless Steel 5mm Cable Fastener - Floor	0-140-04-01515	4
14	Stainless Steel Angle Bracket for Cable/Rod Fastener	0-140-04-01600	4
15	Direct Drive Support Set	0-140-04-P04XX	1
16	AXIO Accessory Set for Guided Direct Drive Bracket	0-140-04-P05XX	1

\*Other options also available

\*\*The quantity varies depending on the width of the shade

### DEDUCTIONS



Motor	Active Side	Direct Drive	Passive Side	Total
35 mm	1 5/8" (41.3 mm)	3/4" (18.5 mm)	1 1/2" (38.1 mm)	3 7/8" (97.9 mm)
45mm	1 5/8" (41.3 mm)	3/4" (18.5 mm)	1 1/2" (38.1 mm)	3 7/8" (97.9 mm)
45mm w/MO	2 1/8" (54 mm)	3/4" (18.5 mm)	1 1/2" (38.1 mm)	4 3/8" (110.6 mm)

\*The suggested measurements are provided for reference only.  
The customer is responsible for calculating their own deductions.





# MANUAL AXIO SYSTEM ROD | CABLE SYSTEM WITH 50 mm TUBE

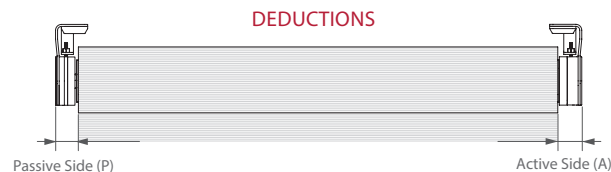
## SCHEMATIC DIAGRAM | DESPIECE DEL SISTEMA

### LEGEND | LEYENDA

NO.	DESCRIPTION	CODE	QTY
1	AXIO System - Set for Manual Shade	0-140-04-P02XX	1
2	Awning Gear Box	0-140-07-711XX*	1
3	Hand Crank Model Roma	0-140-07-730XX	1
4	Drive for 35mm (1 3/8") "A" Shaft Motors & 50mm (2") Keyed Tube	6-700-AD-35K50	2
5	2" (50 mm) Aluminum Keyed Tube	0-154-TU-5021X	-**
6	Guiding Plates for Cable or Rod, Left & Right	0-140-04-P03XX	1
7	Clear Plastic Protector Clip for 1 1/16" (40 mm) Bottomrail Tube	0-140-04-CPC40	2
8a	1 1/16" (40mm) Galvanized Bottomrail Tube	0-154-TU-G4022	-**
8b	1 1/16" (40mm) Atos&AXIO Aluminum Bottomrail Tube With 2 Round Channels	0-151-AL-AAW19	-**
8c	1 1/16" (40mm) Atos&AXIO Aluminum Bottomrail Tube With Round & Rect. Channels	0-151-AL-ARX19	-**
8d	Straight Profile PU5	0-140-00-00020/5	-**
9a	Cable/Rod Guided Endplug for 1 1/16" (40mm) Bottomrail	0-140-04-BEPXX	2
9b	Guided End Plug For Rod	0-140-03-00300	2
9c	Guided End Plug With Locking Screw For Rod	0-140-03-00400	2
9d	Guided End Plug For Cable	0-140-03-00200	2
9e	Guided End Plug With Locking Screw For Cable	0-140-03-00401	2
9f	Rod Guided End Plug for PU5	0-140-00-00027	1
9g	Rod Guided End Plug With Locking Screw for PU5	0-140-00-00029	1
9h	Cable Guided End Plug for PU5	0-140-00-00026	1
9i	Cable Guided End Plug With Locking Screw for PU5	0-140-00-00028	1
10	Rubber Weathertrip For 1 1/16" (40mm) Al. Bottomrail With Round & Rect. Channels	0-140-07-24225	-**
11	6mm Hard Plastic Insert	0-140-07-79010	-**
12a	Anchor Set for Vertical Awning   Narrow Slider (Optional)	0-140-07-10271	1
12b	Anchor Set for Vertical Awning   Wide Slider (Optional)	0-140-07-10272	1
13a	Stainless Steel Rod 12' x 3/8" With Outside Thread	0-153-01-00TOT	2
13b	3/16" (5 mm) Cable Set (2) with Threaded Stud	0-140-04-01700	1
14a	3/8" (10 mm) Stainless Steel Rod Fastener	0-140-04-01500	2
14b	Stainless Steel 5mm Cable Fastener - Wall	0-140-04-01520	2
14c	Stainless Steel 5mm Cable Fastener - Floor	0-140-04-01515	2
15	Stainless Steel Angle Bracket for Cable/Rod Fastener	0-140-04-01600	2

\*Other options also available

\*\*The quantity per shade varies depending on the width of the shade



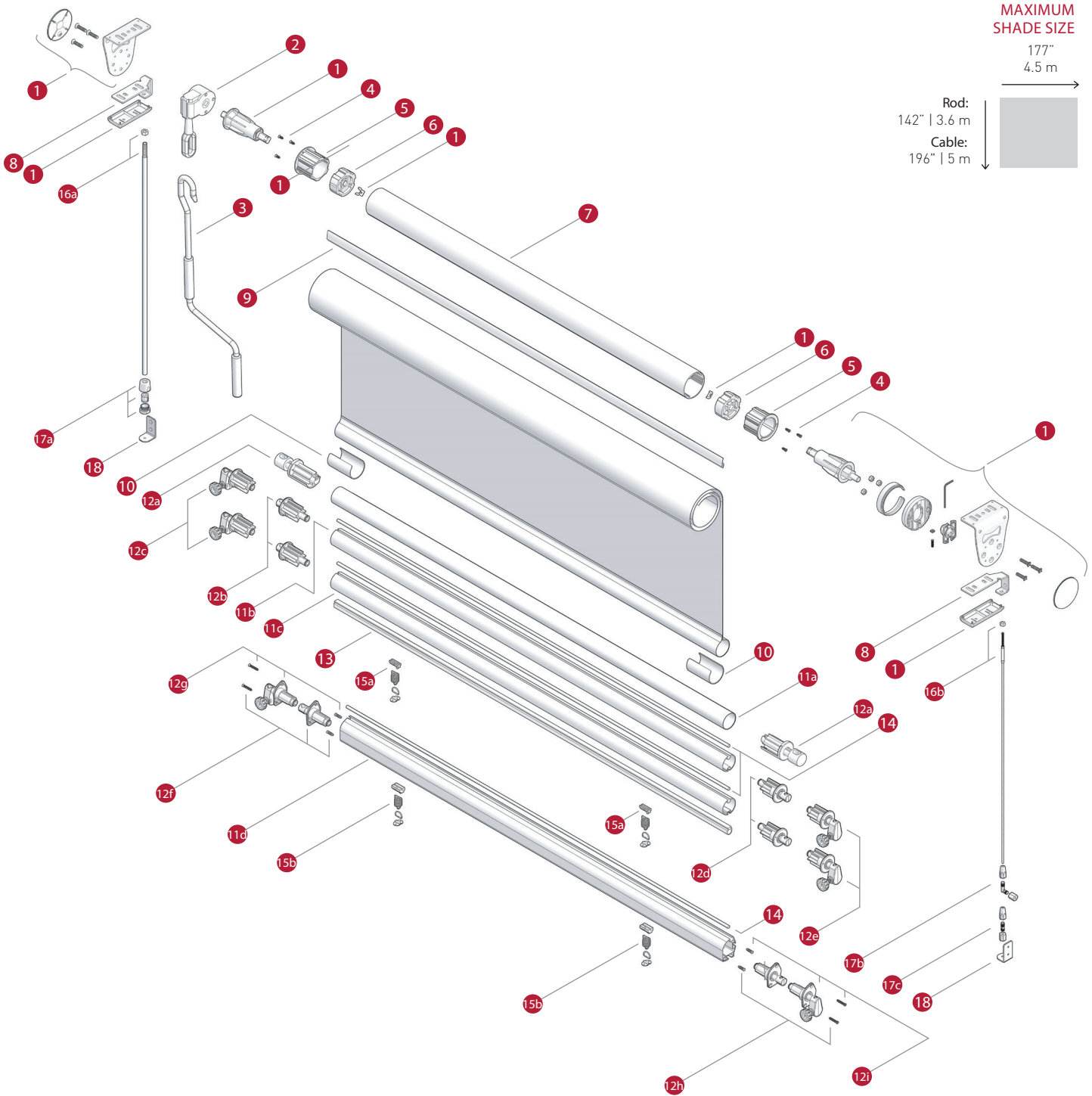
Gearbox	Active Side	Passive Side	Total
3:1	1 7/8" (47.6 mm)	1 1/2" (38.1 mm)	3 3/8" (85.7 mm)
7:1	2" (50.8 mm)	1 1/2" (38.1 mm)	3 1/2" (88.9 mm)
9:1	2" (50.8 mm)	1 1/2" (38.1 mm)	3 1/2" (88.9 mm)

\*The suggested measurements are provided for reference only.  
The customer is responsible for calculating their own deductions.



# MANUAL AXIO SYSTEM ROD | CABLE SYSTEM WITH 63 mm TUBE

SCHEMATIC DIAGRAM | DESPIECE DEL SISTEMA





# MANUAL AXIO SYSTEM ROD | CABLE SYSTEM WITH 63 mm TUBE

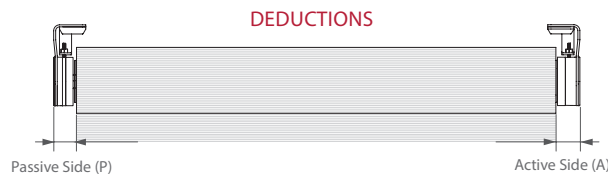
## SCHEMATIC DIAGRAM | DESPIECE DEL SISTEMA

### LEGEND | LEYENDA

NO.	DESCRIPTION	CODE	QTY
1	AXIO System - Set for Manual Shade	0-140-04-P02XX	1
2	Awning Gear Box	0-140-07-711XX*	1
3	Hand Crank Model Roma	0-140-07-730XX	1
4	Stainless Steel Screw 3.5x19 mm	0-140-05-03519	6
5	Crown Adapter for 1 3/4" (45 mm) Motor & 2 1/2" (63 mm) Tube	6-700-AC-45063	2
6	Drive Adapter for 1 3/4" (45 mm) Motor & 2 1/2" (63 mm) Tube	6-700-AD-45063	2
7	2 1/2" (63 mm) Aluminum Tube	0-154-TU-630XX	-**
8	Guiding Plates for Cable or Rod, Left & Right	0-140-04-P03XX	1
9	2 1/2" (63 mm) Tube Channel Flat Insert	0-151-R1-00230	-**
10	Clear Plastic Protector Clip for 1 1/16" (40 mm) Bottomrail Tube	0-140-04-CPC40	2
11a	1 1/16" (40mm) Galvanized Bottomrail Tube	0-154-TU-G4022	-**
11b	1 1/16" (40mm) Atos&AXIO Aluminum Bottomrail Tube With 2 Round Channels	0-151-AL-AAW19	-**
11c	1 1/16" (40mm) Atos&AXIO Aluminum Bottomrail Tube With Round & Rect. Channels	0-151-AL-ARX19	-**
11d	Straight Profile PU5	0-140-00-00020/5	-**
12a	Cable/Rod Guided Endplug for 1 1/16" (40mm) Bottomrail	0-140-04-BEPXX	2
12b	Guided End Plug For Rod	0-140-03-00300	2
12c	Guided End Plug With Locking Screw For Rod	0-140-03-00400	2
12d	Guided End Plug For Cable	0-140-03-00200	2
12e	Guided End Plug With Locking Screw For Cable	0-140-03-00401	2
12f	Rod Guided End Plug for PU5	0-140-00-00027	1
12g	Rod Guided End Plug With Locking Screw for PU5	0-140-00-00029	1
12h	Cable Guided End Plug for PU5	0-140-00-00026	1
12i	Cable Guided End Plug With Locking Screw for PU5	0-140-00-00028	1
13	Rubber Weathertrip For 1 1/16" (40mm) Al. Bottomrail With Round & Rect. Channels	0-140-07-24225	-**
14	6mm Hard Plastic Insert	0-140-07-79010	-**
15a	Anchor Set for Vertical Awning   Narrow Slider (Optional)	0-140-07-10271	1
15b	Anchor Set for Vertical Awning   Wide Slider (Optional)	0-140-07-10272	1
16a	Stainless Steel Rod 12' x 3/8 With Outside Thread	0-153-01-00TOT	2
16b	3/16" (5 mm) Cable Set (2) with Threaded Stud	0-140-04-01700	1
17a	3/8" (10 mm) Stainless Steel Rod Fastener	0-140-04-01500	2
17b	Stainless Steel 5mm Cable Fastener - Wall	0-140-04-01520	2
17c	Stainless Steel 5mm Cable Fastener - Floor	0-140-04-01515	2
18	Stainless Steel Angle Bracket for Cable/Rod Fastener	0-140-04-01600	2

\*Other options also available

\*\*The quantity per shade varies depending on the width of the shade



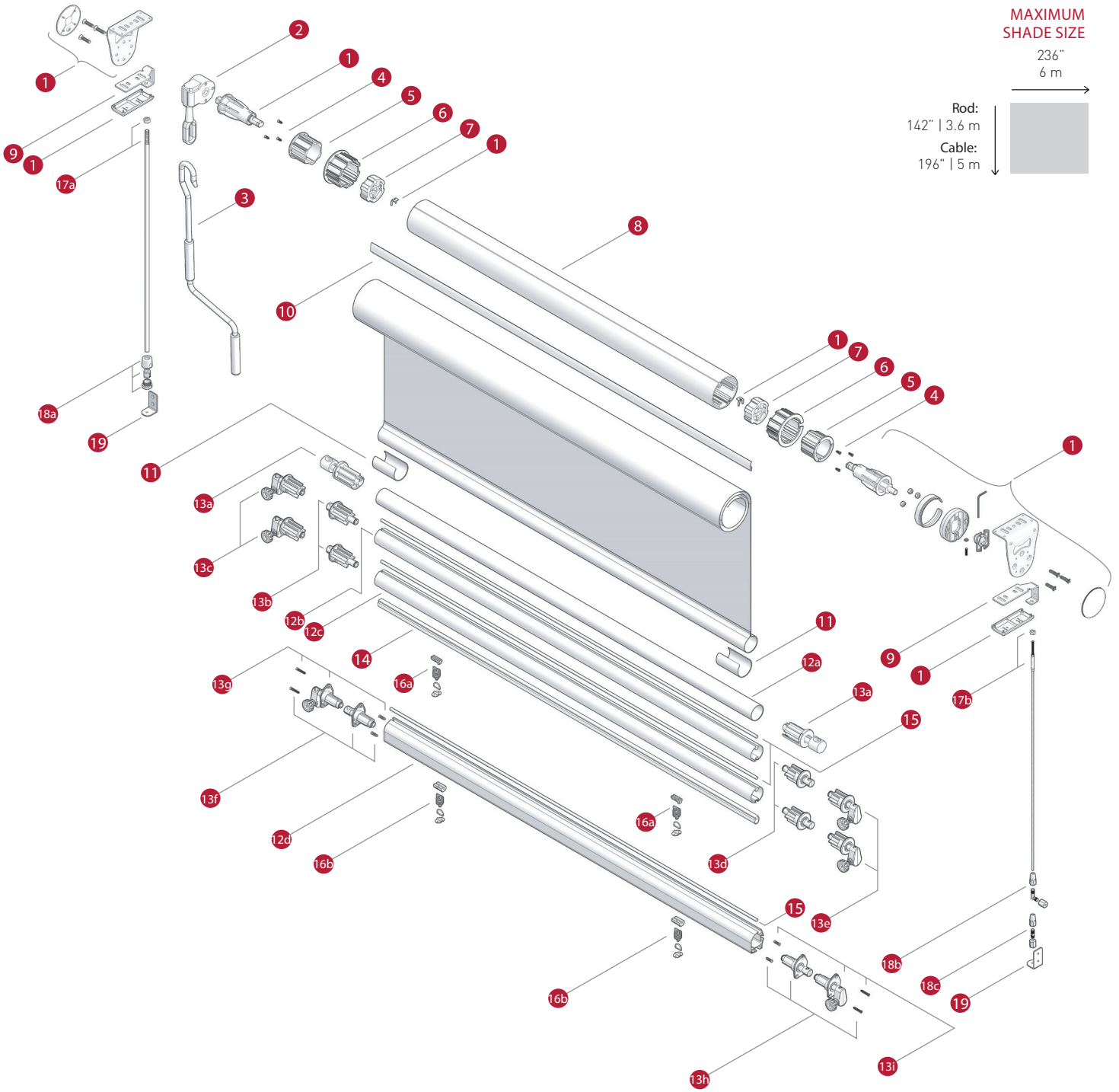
Gearbox	Active Side	Passive Side	Total
3:1	2 1/8" (54 mm)	1 1/2" (38.1 mm)	3 5/8" (92.1 mm)
7:1	2 1/8" (54 mm)	1 1/2" (38.1 mm)	3 5/8" (92.1 mm)
9:1	2 1/8" (54 mm)	1 1/2" (38.1 mm)	3 5/8" (92.1 mm)

\*The suggested measurements are provided for reference only.  
The customer is responsible for calculating their own deductions.



# MANUAL AXIO SYSTEM ROD | CABLE SYSTEM WITH 83 mm TUBE

SCHEMATIC DIAGRAM | DESPIECE DEL SISTEMA



MAXIMUM  
SHADE SIZE

236"  
6 m

Rod:  
142" | 3.6 m  
Cable:  
196" | 5 m



# MANUAL AXIO SYSTEM ROD | CABLE SYSTEM WITH 83 mm TUBE

## SCHEMATIC DIAGRAM | DESPIECE DEL SISTEMA

### LEGEND | LEYENDA

NO.	DESCRIPTION	CODE	QTY
1	AXIO System - Set for Manual Shade	0-140-04-P02XX	1
2	Awning Gear Box	0-140-07-711XX*	1
3	Hand Crank Model Roma	0-140-07-730XX	1
4	Stainless Steel Screw 3.5x19 mm	0-140-05-03519	6
5	Crown Adapter for 1 3/4" [45 mm] Motor & 2 1/2" [63 mm] Tube	6-700-AC-45063	2
6	Adapter for change from 2 1/2" [63 mm] to 3 1/4" [83 mm] Tube	6-700-AZ-63083	2
7	Drive Adapter for 1 3/4" [45 mm] Motor & 2 1/2" [63 mm] Tube	6-700-AD-45063	2
8	3 1/4" [83mm] Structural Aluminum Tube	0-154-TU-8302X	-**
9	Guiding Plates for Cable or Rod, Left & Right	0-140-04-P03XX	1
10	3 1/4" [83mm] Tube Channel Flat Insert	0-151-R1-00220	-**
11	Clear Plastic Protector Clip for 1 1/16" [40 mm] Bottomrail Tube	0-140-04-CPC40	2
12a	1 1/16" [40mm] Galvanized Bottomrail Tube	0-154-TU-G4022	-**
12b	1 1/16" [40mm] Atos&AXIO Aluminum Bottomrail Tube With 2 Round Channels	0-151-AL-AAW19	-**
12c	1 1/16" [40mm] Atos&AXIO Aluminum Bottomrail Tube With Round & Rect. Channels	0-151-AL-ARX19	-**
12d	Straight Profile PU5	0-140-00-00020/5	-**
13a	Cable/Rod Guided Endplug for 1 1/16" [40mm] Bottomrail	0-140-04-BEPXX	2
13b	Guided End Plug For Rod	0-140-03-00300	2
13c	Guided End Plug With Locking Screw For Rod	0-140-03-00400	2
13d	Guided End Plug For Cable	0-140-03-00200	2
13e	Guided End Plug With Locking Screw For Cable	0-140-03-00401	2
13f	Rod Guided End Plug for PU5	0-140-00-00027	1
13g	Rod Guided End Plug With Locking Screw for PU5	0-140-00-00029	1
13h	Cable Guided End Plug for PU5	0-140-00-00026	1
13i	Cable Guided End Plug With Locking Screw for PU5	0-140-00-00028	1
14	Rubber Weathertrip For 1 1/16" [40mm] Al. Bottomrail With Round & Rect. Channels	0-140-07-24225	-**
15	6mm Hard Plastic Insert	0-140-07-79010	-**
16a	Anchor Set for Vertical Awning   Narrow Slider (Optional)	0-140-07-10271	1
16b	Anchor Set for Vertical Awning   Wide Slider (Optional)	0-140-07-10272	1
17a	Stainless Steel Rod 12' x 3/8 With Outside Thread	0-153-01-00TOT	2
17b	3/16" (5 mm) Cable Set (2) with Threaded Stud	0-140-04-01700	1
18a	3/8" (10 mm) Stainless Steel Rod Fastener	0-140-04-01500	2
18b	Stainless Steel 5mm Cable Fastener - Wall	0-140-04-01520	2
18c	Stainless Steel 5mm Cable Fastener - Floor	0-140-04-01515	2
19	Stainless Steel Angle Bracket for Cable/Rod Fastener	0-140-04-01600	2

\*Other options also available

\*\*The quantity per shade varies depending on the width of the shade

**DEDUCTIONS**

Gearbox	Active Side	Passive Side	Total
3:1	2 1/8" (54 mm)	1 1/2" (38.1 mm)	3 5/8" (92.1 mm)
7:1	2 1/8" (54 mm)	1 1/2" (38.1 mm)	3 5/8" (92.1 mm)
9:1	2 1/8" (54 mm)	1 1/2" (38.1 mm)	3 5/8" (92.1 mm)

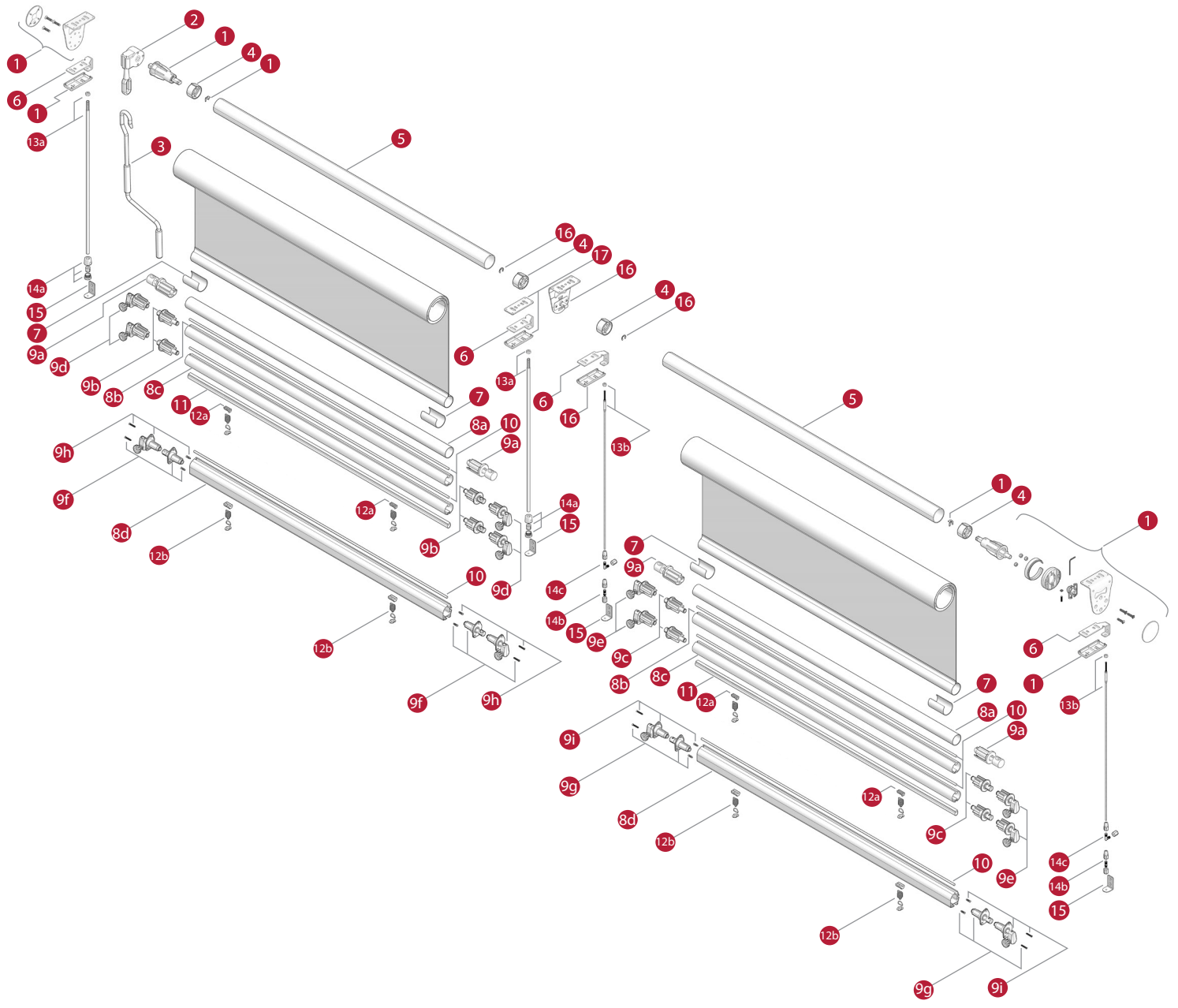
\*The suggested measurements are provided for reference only.  
The customer is responsible for calculating their own deductions.





# MANUAL DIRECT DRIVE AXIO SYSTEM ROD | CABLE SYSTEM WITH 50 mm, 63 mm or 83 mm TUBE

SCHEMATIC DIAGRAM | DESPIECE DEL SISTEMA





# MANUAL DIRECT DRIVE AXIO SYSTEM ROD | CABLE SYSTEM WITH 50 mm, 63 mm or 83 mm TUBE

SCHEMATIC DIAGRAM | DESPIECE DEL SISTEMA

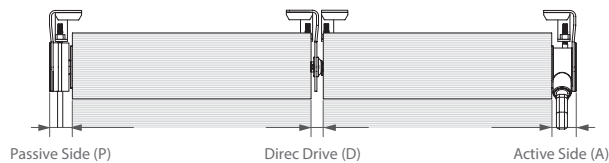
## LEGEND | LEYENDA

NO.	DESCRIPTION	CODE	QTY
1	AXIO System - Set for Manual Shade	0-140-04-P02XX	1
2	Awning Gear Box	0-140-07-711XX*	1
3	Hand Crank Model Roma	0-140-07-730XX	1
4	Drive Adapter	6-700-AD-35XXX	4
5	Aluminum Tube	0-154-TU-5021X	-**
6	Guiding Plates for Cable or Rod, Left & Right	0-140-04-P03XX	2
7	Clear Plastic Protector Clip for 1 1/16" (40 mm) Bottomrail Tube (Optional)	0-140-04-CPC40	4
8a	1 1/16" (40mm) Galvanized Bottomrail Tube	0-154-TU-G4022	-**
8b	1 1/16" (40mm) Atos&AXIO Aluminum Bottomrail Tube With 2 Round Channels	0-151-AL-AAW19	-**
8c	1 1/16" (40mm) Patio Aluminum Bottomrail Tube	0-151-AL-ARX19	-**
8d	Straight Profile PU5	0-140-00-00020/5	-**
9a	Cable/Rod Guided Endplug for 1 1/16" (40mm) Bottomrail	0-140-04-BEPXX	4
9b	Guided End Plug For Rod	0-140-03-00300	4
9c	Guided End Plug For Cable	0-140-03-00200	4
9d	Guided End Plug With Locking Screw For Rod	0-140-03-00400	4
9e	Guided End Plug With Locking Screw For Cable	0-140-03-00401	4
9f	Rod Guided End Plug for PU5	0-140-00-00027	2
9g	Cable Guided End Plug for PU5	0-140-00-00026	2
9h	Rod Guided End Plug With Locking Screw for PU5	0-140-00-00029	2
9i	Cable Guided End Plug With Locking Screw for PU5	0-140-00-00028	2
10	6mm Hard Plastic Insert	0-140-07-79010	-**
11	Rubber Weatherstrip For 1 1/16" (40mm) Al. Patio Bottomrail	0-140-07-24225	-**
12a	Anchor Set for Vertical Awning   Narrow Slider (Optional)	0-140-07-10271	4
12b	Anchor Set for Vertical Awning   Wide Slider (Optional)	0-140-07-10272	4
13a	Stainless Steel Rod 12' x 3/8" With Outside Thread	0-153-01-00TOT	4
13b	3/16" (5 mm) Cable Set (2) with Threaded Stud	0-140-04-01700	2
14a	3/8" (10 mm) Stainless Steel Rod Fastener	0-140-04-01500	4
14b	Stainless Steel 5mm Cable Fastener - Floor	0-140-04-01515	4
14c	Stainless Steel 5mm Cable Fastener - Wall	0-140-04-01520	4
15	Stainless Steel Angle Bracket for Cable/Rod Fastener	0-140-04-01600	4
16	Direct Drive Support Set	0-140-04-P04XX	1
17	AXIO Accessory Set for Guided Direct Drive Bracket	0-140-04-P05XX	1

\*Other options also available

\*\*The quantity varies depending on the width of the shade

### DEDUCTIONS



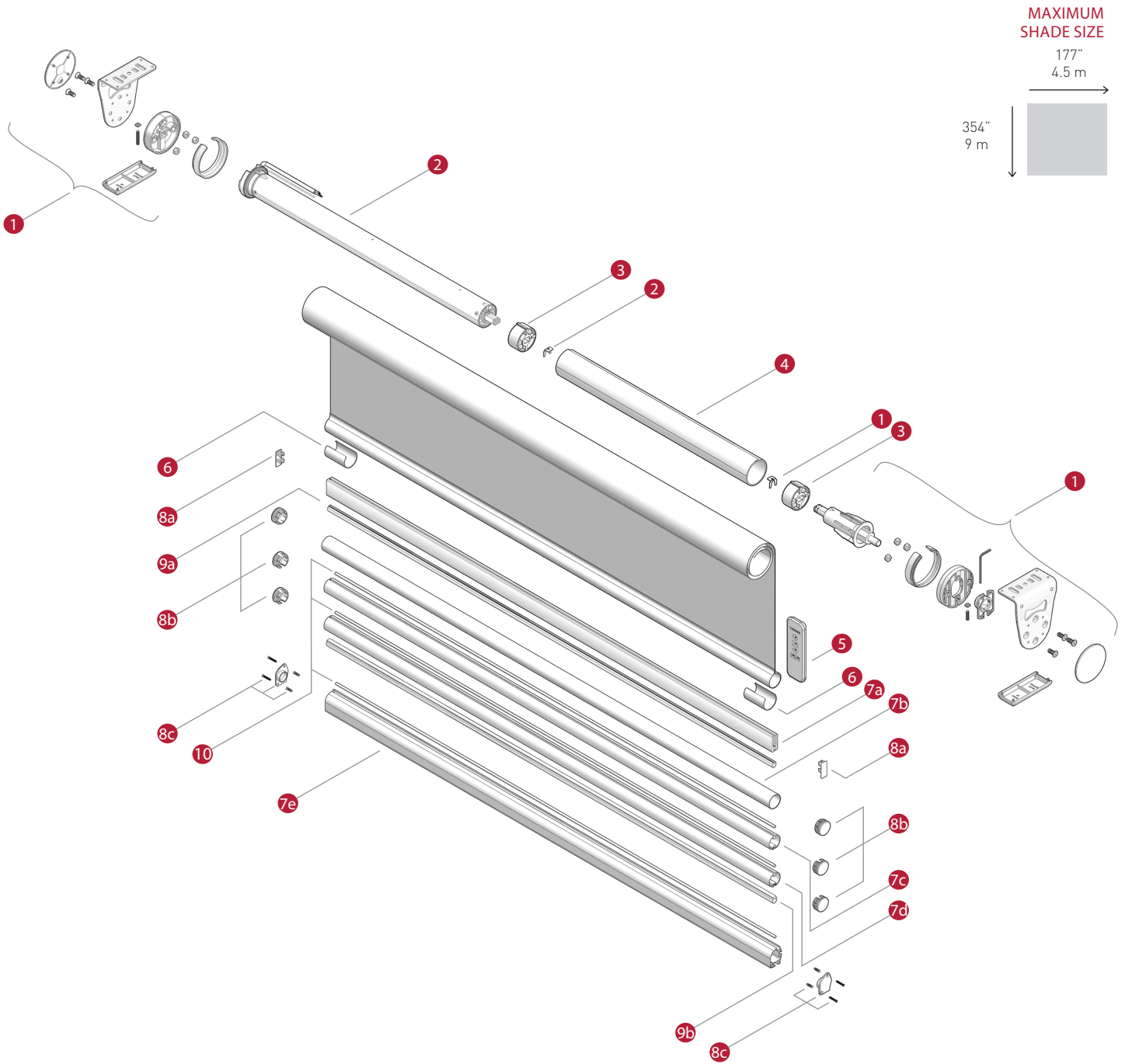
Gearbox	Active Side	Direct Drive	Passive Side	Total*
3:1	1 7/8" (47.6 mm)	3/4" (18.5 mm)	1 1/2" (38.1 mm)	4 1/8" (104.2 mm)
7:1	2" (50.8 mm)	3/4" (18.5 mm)	1 1/2" (38.1 mm)	4 1/4" (107.4 mm)
9:1	2" (50.8 mm)	3/4" (18.5 mm)	1 1/2" (38.1 mm)	4 1/4" (107.4 mm)

\*The suggested measurements are provided for reference only.  
The customer is responsible for calculating their own deductions.



# MOTORIZED AXIO SYSTEM GUIDELESS SYSTEM WITH 50 mm TUBE

SCHEMATIC DIAGRAM | DESPIECE DEL SISTEMA





# MOTORIZED AXIO SYSTEM GUIDELESS SYSTEM WITH 50 mm TUBE

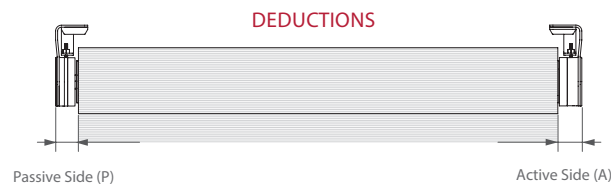
## SCHEMATIC DIAGRAM | DESPIECE DEL SISTEMA

### LEGEND | LEYENDA

NO.	DESCRIPTION	CODE	QTY
1	AXIO System - Set for Motorized Shade	0-140-04-P01XX	1
2	VTi® RE-LION Celtic Motor	6-800-ME-45B20*	1
3	Drive for 1 3/8" (35mm) "A" Shaft Motors & 2" (50mm) Keyed Tube	6-700-AD-35K50	2
4	2" (50 mm) Aluminum Keyed Tube	0-154-TU-5021X	-**
5	Remote Control (Multiple options available. See Vertilux Control Solutions Catalog)	6-700-AT-XXXXX	1
6	Clear Plastic Protector Clip for 1 1/16" (40 mm) Bottomrail Tube	0-140-04-CPC40	2
7a	XL Aluminum Bottomrail	0-140-05-ALBXX	-**
7b	1 1/16" (40mm) Galvanized Bottomrail Tube	0-154-TU-G4022	-**
7c	1 1/16" (40mm) Atos&AXIO Aluminum Bottomrail Tube With 2 Round Channels	0-151-AL-AAW19	-**
7d	1 1/16" (40mm) Atos&AXIO Aluminum Bottomrail Tube With Round & Rect. Channels	0-151-AL-ARX19	-**
7e	Straight Profile PU5	0-140-00-00020/5	-**
8a	Plastic End Cap for XL Bottomrail	0-140-05-RE0XX	2
8b	Plastic End Cap for 1 1/16" (40 mm) Bottomrail	0-140-04-EC04X	2
8c	Plastic End Cap Left & Right for Profile PU5	0-140-00-00023/4	1
9a	Rubber Weathertrip For XL Bottomrail	0-140-07-24860	-**
9b	Rubber Weathertrip For 1/16" (40mm) Al. Bottomrail With Round & Rect. Channels	0-140-07-24225	-**
10	6mm Hard Plastic Insert	0-140-07-79010	-**

\*Other options also available

\*\*The quantity per shade varies depending on the width of the shade



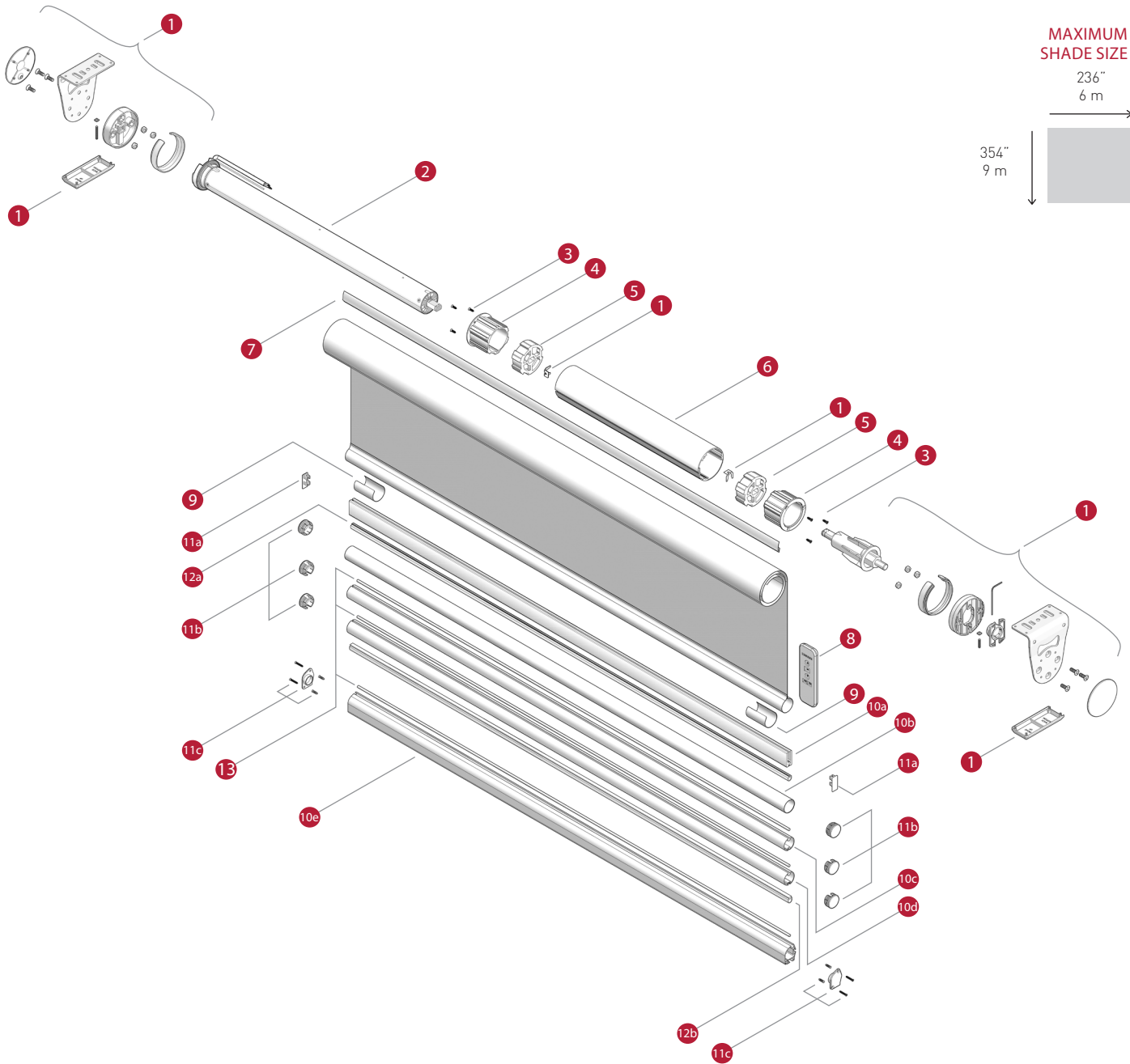
Motor	Active Side	Passive Side	Total
35 mm	1 1/2" (38.1 mm)	1 1/2" (38.1 mm)	3" (76.2 mm)
45 mm	1 1/2" (38.1 mm)	1 1/2" (38.1 mm)	3" (76.2 mm)

\*The suggested measurements are provided for reference only.  
The customer is responsible for calculating their own deductions.



# MOTORIZED AXIO SYSTEM GUIDELESS SYSTEM WITH 63 mm TUBE

SCHEMATIC DIAGRAM | DESPIECE DEL SISTEMA





# MOTORIZED AXIO SYSTEM GUIDELESS SYSTEM WITH 63 mm TUBE

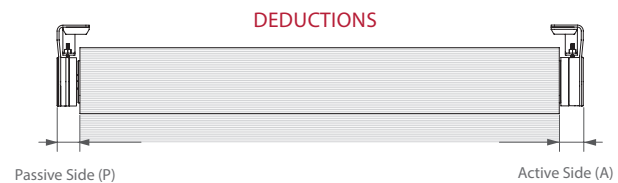
## SCHEMATIC DIAGRAM | DESPIECE DEL SISTEMA

### LEGEND | LEYENDA

NO.	DESCRIPTION	CODE	QTY
1	AXIO System - Set for Motorized Shade	0-140-04-P01XX	1
2	VTi® RE-LION Celtic Motor	6-800-ME-45B20*	1
3	Stainless Steel Screw 3.5x19 mm	0-140-05-03519	6
4	Crown Adapter for 1 3/4" (45 mm) Motor & 2 1/2" (63 mm) Tube	6-700-AC-45063	2
5	Drive adapter for 1 3/4" (45 mm) Motor & 2 1/2" (63 mm) Tube	6-700-AD-45063	2
6	2 1/2" (63 mm) Aluminum Tube	0-154-TU-630XX	-**
7	2 1/2" (63 mm) Tube Channel Flat Insert	0-151-R1-00230	-**
8	Remote Control (Multiple options available. See Vertilux Control Solutions Catalog)	6-700-AT-XXXXX	1
9	Clear Plastic Protector Clip for 1 1/16" (40 mm) Bottomrail Tube	0-140-04-CPC40	2
10a	XL Aluminum Bottomrail	0-140-05-ALBXX	-**
10b	1 1/16" (40mm) Galvanized Bottomrail Tube	0-154-TU-G4022	-**
10c	1 1/16" (40mm) Atos&AXIO Aluminum Bottomrail Tube With 2 Round Channels	0-151-AL-AAW19	-**
10d	1 1/16" (40mm) Atos&AXIO Aluminum Bottomrail Tube With Round & Rect. Channels	0-151-AL-ARX19	-**
10e	Straight Profile PU5	0-140-00-00020/5	-**
11a	Plastic End Cap for XL Bottomrail	0-140-05-RE0XX	2
11b	Plastic End Cap for 1 1/16" (40 mm) Bottomrail	0-140-04-EC04X	2
11c	Plastic End Cap Left & Right for Profile PU5	0-140-00-00023/4	1
12a	Rubber Weathertrip For XL Bottomrail	0-140-07-24860	-**
12b	Rubber Weathertrip For 1/16" (40mm) Al. Bottomrail With Round & Rect. Channels	0-140-07-24225	-**
13	6mm Hard Plastic Insert	0-140-07-79010	-**

\*Other options also available

\*\*The quantity per shade varies depending on the width of the shade



Motor	Active Side	Passive Side	Total
35 mm	1 5/8" (41.3 mm)	1 1/2" (38.1 mm)	3 1/8" (79.4 mm)
45mm	1 5/8" (41.3 mm)	1 1/2" (38.1 mm)	3 1/8" (79.4 mm)
45mm w/MO	2 1/8" (54 mm)	1 1/2" (38.1 mm)	3 5/8" (92.1 mm)

\*The suggested measurements are provided for reference only.  
The customer is responsible for calculating their own deductions.

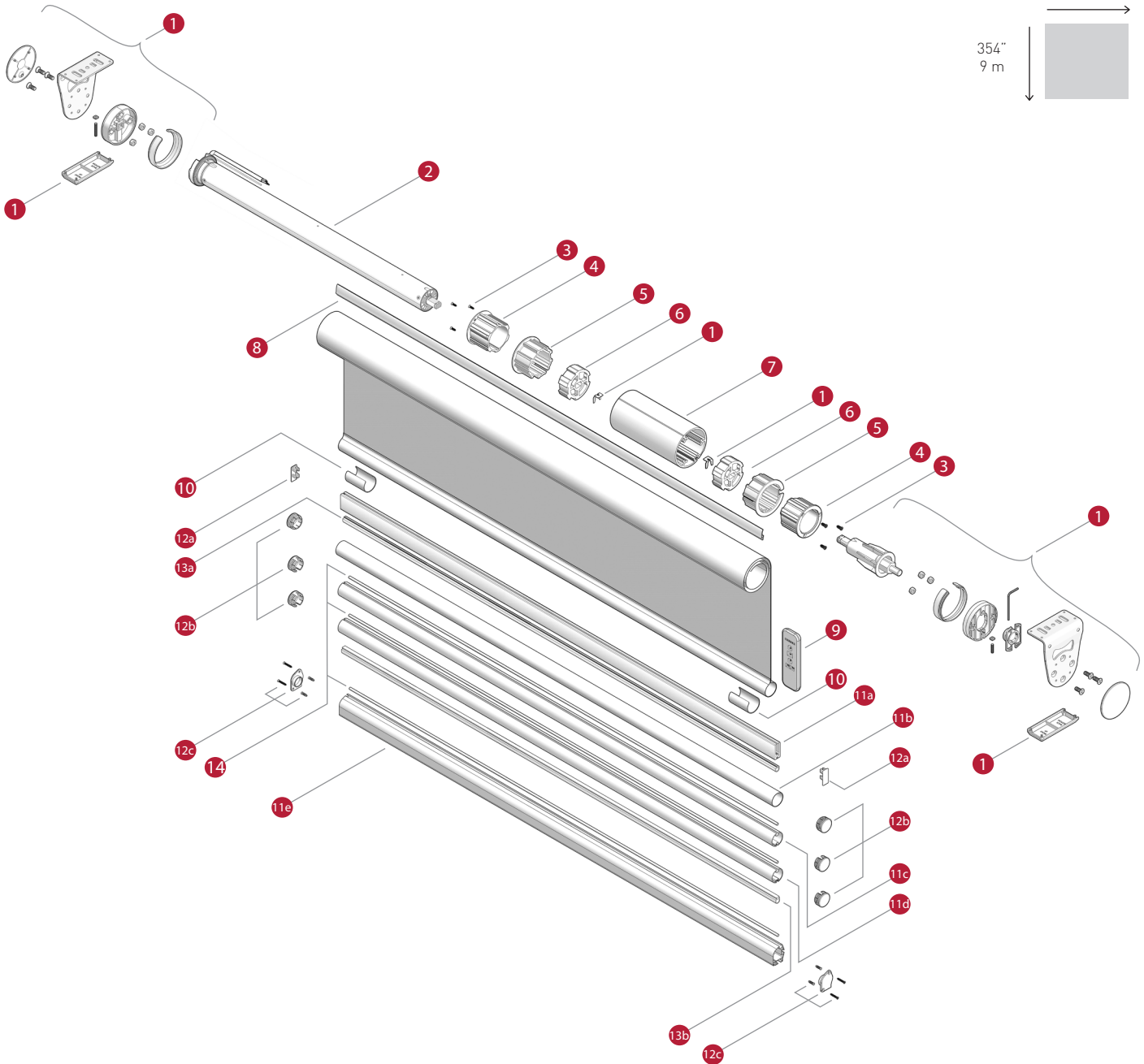


# MOTORIZED AXIO SYSTEM GUIDELESS SYSTEM WITH 83 mm TUBE

SCHEMATIC DIAGRAM | DESPIECE DEL SISTEMA

MAXIMUM  
SHADE SIZE  
236"  
6 m

354"  
9 m





# MOTORIZED AXIO SYSTEM GUIDELESS SYSTEM WITH 83 mm TUBE

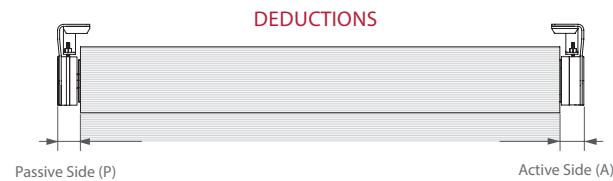
## SCHEMATIC DIAGRAM | DESPIECE DEL SISTEMA

### LEGEND | LEYENDA

NO.	DESCRIPTION	CODE	QTY
1	AXIO System - Set for Motorized Shade	0-140-04-P01XX	1
2	VTi® RE-LION Celtic Motor	6-800-ME-45B20*	1
3	Stainless Steel Screw 3.5x19 mm	0-140-05-03519	6
4	Crown Adapter for 1 3/4" (45 mm) Motor & 2 1/2" (63 mm) Tube	6-700-AC-45063	2
5	Adapter for change from 2 1/2" (63 mm) to 3 1/4" (83 mm) Tube	6-700-AZ-63083	2
6	Drive adapter for 1 3/4" (45 mm) Motor & 2 1/2" (63 mm) Tube	6-700-AD-45063	2
7	3 1/4" (83mm) Structural Aluminum Tube	0-154-TU-8302X	-**
8	2 1/2" (63 mm) Tube Channel Flat Insert	0-151-R1-00230	-**
9	Remote Control (Multiple options available. See Vertilux Control Solutions Catalog)	6-700-AT-XXXXX	1
10	Clear Plastic Protector Clip for 1 1/16" (40 mm) Bottomrail Tube	0-140-04-CPC40	2
11a	XL Aluminum Bottomrail	0-140-05-ALBXX	-**
11b	1 1/16" (40mm) Galvanized Bottomrail Tube	0-154-TU-G4022	-**
11c	1 1/16" (40mm) Atos&AXIO Aluminum Bottomrail Tube With 2 Round Channels	0-151-AL-AAW19	-**
11d	1 1/16" (40mm) Atos&AXIO Aluminum Bottomrail Tube With Round & Rect. Channels	0-151-AL-ARX19	-**
11e	Straight Profile PU5	0-140-00-00020/5	-**
12a	Plastic End Cap for XL Bottomrail	0-140-05-RE0XX	2
12b	Plastic End Cap for 1 1/16" (40 mm) Bottomrail	0-140-04-EC04X	2
12c	Plastic End Cap Left & Right for Profile PU5	0-140-00-00023/4	1
13a	Rubber Weathertrip For XL Bottomrail	0-140-07-24860	-**
13b	Rubber Weathertrip For 1/16" (40mm) Al. Bottomrail With Round & Rect. Channels	0-140-07-24225	-**
14	6mm Hard Plastic Insert	0-140-07-79010	-**

\*Other options also available

\*\*The quantity per shade varies depending on the width of the shade



Motor	Active Side	Passive Side	Total
35 mm	1 5/8" (41.3 mm)	1 1/2" (38.1 mm)	3 1/8" (79.4 mm)
45mm	1 5/8" (41.3 mm)	1 1/2" (38.1 mm)	3 1/8" (79.4 mm)
45mm w/MO	2 1/8" (54 mm)	1 1/2" (38.1 mm)	3 5/8" (92.1 mm)

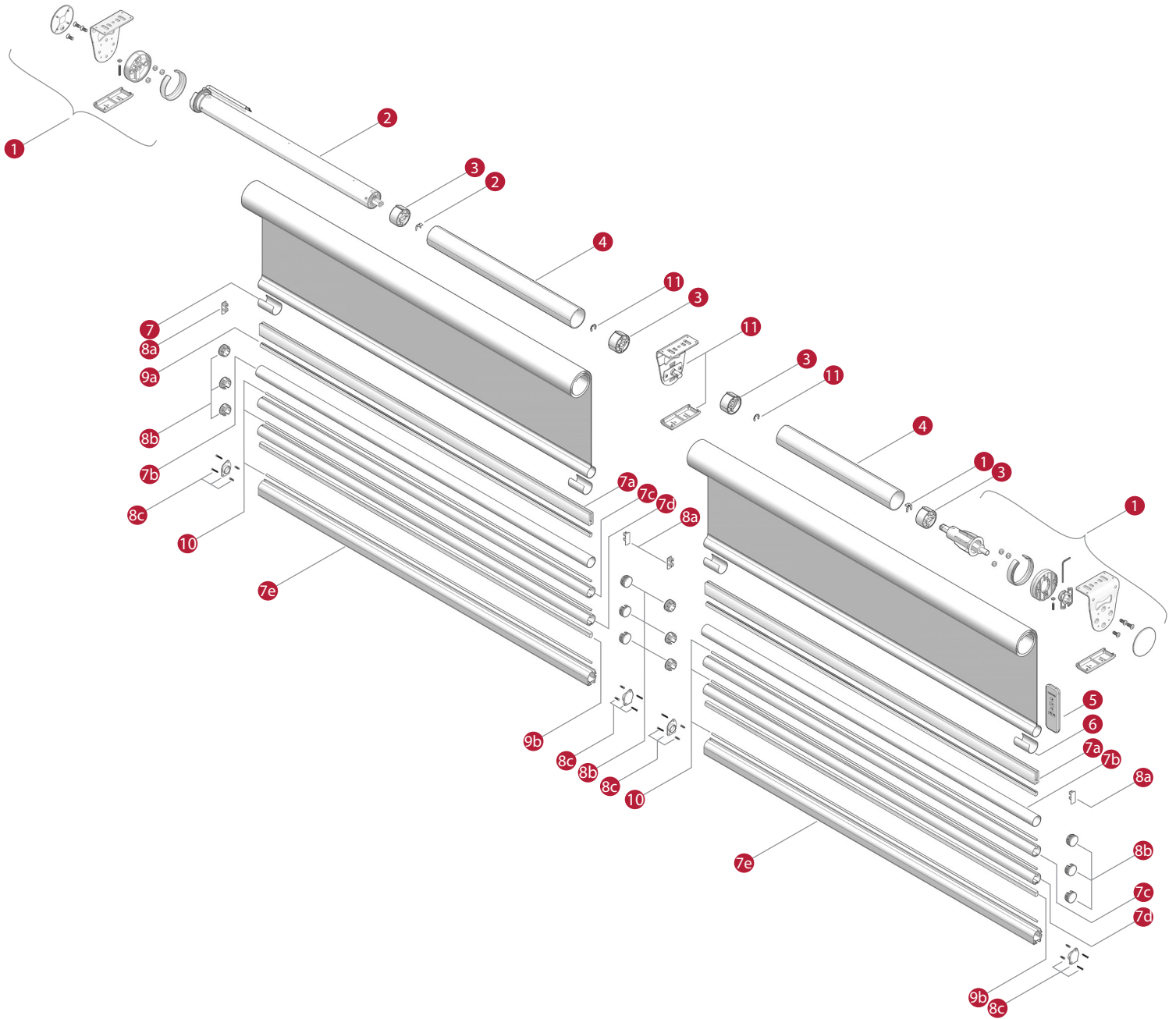
\*The suggested measurements are provided for reference only.  
The customer is responsible for calculating their own deductions.





# MOTORIZED DIRECT DRIVE AXIO SYSTEM FREE HANGING SYSTEM WITH 50 mm, 63 mm or 83 mm TUBE

SCHEMATIC DIAGRAM | DESPIECE DEL SISTEMA





# MOTORIZED DIRECT DRIVE AXIO SYSTEM FREE HANGING SYSTEM WITH 50 mm, 63 mm or 83 mm TUBE

SCHEMATIC DIAGRAM | DESPIECE DEL SISTEMA

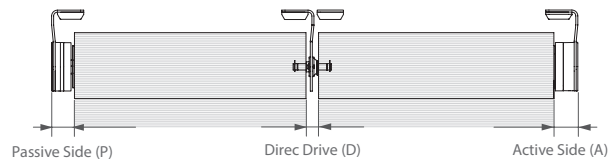
## LEGEND | LEYENDA

NO.	DESCRIPTION	CODE	QTY
1	AXIO System - Set for Motorized Shade	0-140-04-P01XX	1
2	VTi® RE-LION Celtic Motor	6-800-ME-45B20*	1
3	Drive for 1 3/8" (35mm) "A" Shaft Motors & Aluminum Tube	6-700-AD-XXXXX	4
4	Aluminum Tube (Multiple options available. See Vertilux Control Solutions Catalog)	0-154-TU-XXXXX	-**
5	Remote Control (Multiple options available. See Vertilux Control Solutions Catalog)	6-700-AT-XXXXX	1
6	Clear Plastic Protector Clip for 1 1/16" (40 mm) Bottomrail Tube (optional)	0-140-04-CPC40	4
7a	XL Aluminum Bottomrail	0-140-05-ALBXX	-**
7b	1 1/16" (40mm) Galvanized Bottomrail Tube	0-154-TU-G4022	-**
7c	1 1/16" (40mm) Atos&AXIO Aluminum Bottomrail Tube With 2 Round Channels	0-151-AL-AAW19	-**
7d	1 1/16" (40mm) Patio Aluminum Bottomrail Tube	0-151-AL-ARX19	-**
7e	Straight Profile PU5	0-140-00-00020/5	-**
8a	Plastic End Cap for XL Bottomrail	0-140-05-RE0XX	4
8b	Plastic End Cap for 1 1/16" (40 mm) Bottomrail	0-140-04-EC04X	4
8c	Plastic End Cap Left & Right for Profile PU5	0-140-00-00023/4	2
9a	Rubber Weatherstrip For XL Bottomrail	0-140-07-24860	-**
9b	Rubber Weatherstrip For 1/16" (40mm) AL. Patio Bottomrail	0-140-07-24225	-**
10	6mm Hard Plastic Insert	0-140-07-79010	-**
11	Direct Drive Support Set	0-140-04-P04XX	1

\*Other options also available

\*\*The quantity varies depending on the width of the shade

### DEDUCTIONS



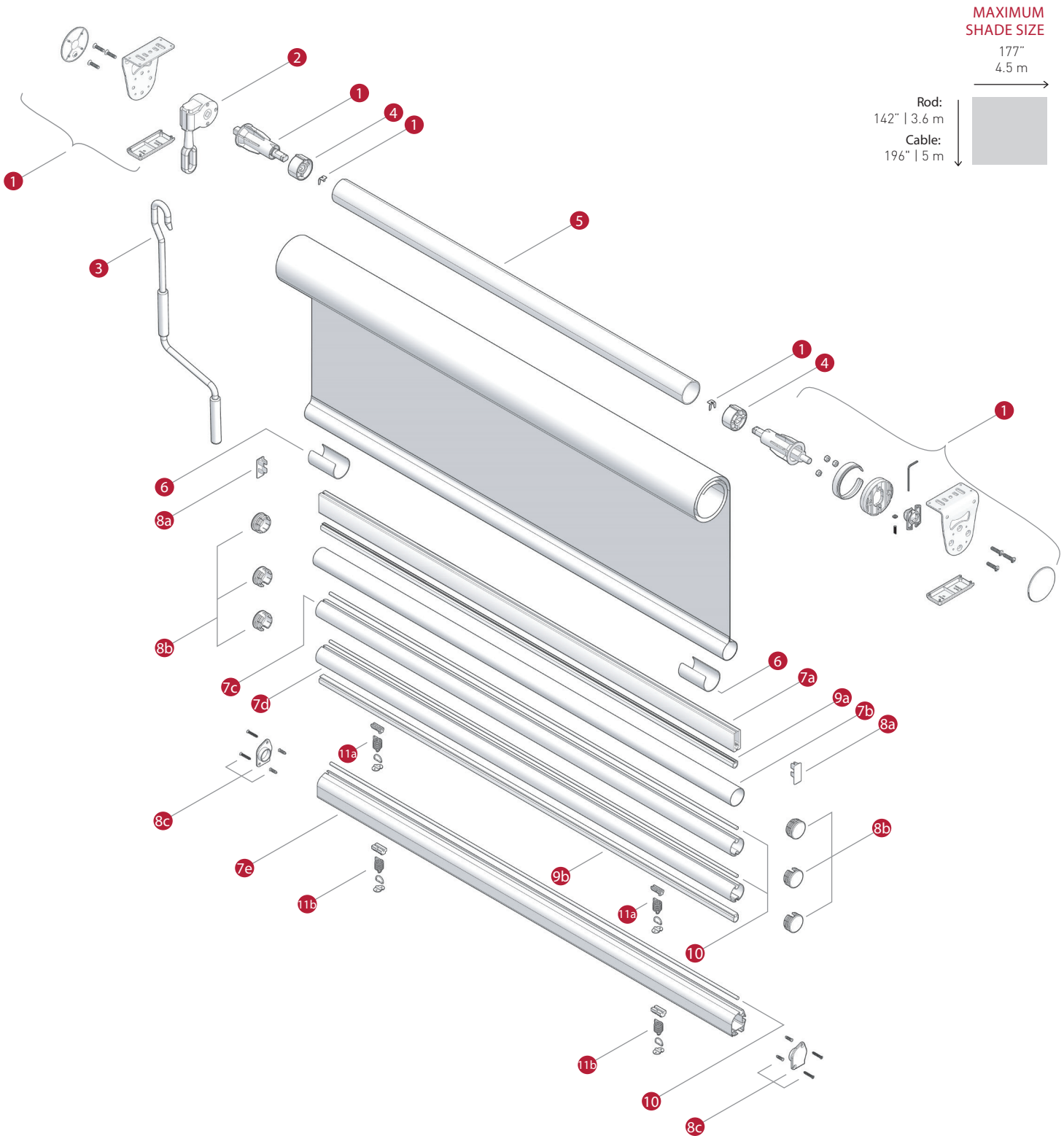
Motor	Active Side	Direct Drive	Passive Side	Total
35 mm	1 5/8" (41.3 mm)	3/4" (18.5 mm)	1 1/2" (38.1 mm)	3 7/8" (97.9 mm)
45mm	1 5/8" (41.3 mm)	3/4" (18.5 mm)	1 1/2" (38.1 mm)	3 7/8" (97.9 mm)
45mm w/MO	2 1/8" (54 mm)	3/4" (18.5 mm)	1 1/2" (38.1 mm)	4 3/8" (110.6 mm)

\*The suggested measurements are provided for reference only.  
The customer is responsible for calculating their own deductions.



# MANUAL AXIO SYSTEM GUIDELESS SYSTEM WITH 50 mm TUBE

SCHEMATIC DIAGRAM | DESPIECE DEL SISTEMA





# MANUAL AXIO SYSTEM GUIDELESS SYSTEM WITH 50 mm TUBE

## SCHEMATIC DIAGRAM | DESPIECE DEL SISTEMA

### LEGEND | LEYENDA

NO.	DESCRIPTION	CODE	QTY
1	AXIO System- Set for Manual Shade	0-140-04-P02XX	1
2	Awning Gear Box	0-140-07-711XX*	1
3	Hand Crank Model Roma	0-140-07-730XX	1
4	Drive Adapter for 1 3/8" (35mm) "A" Shaft Motors & 2" (50mm) Keyed Tube	6-700-AD-35K50	2
5	2" (50 mm) Aluminum Keyed Tube	0-154-TU-5021X	-**
6	Clear Plastic Protector Clip for 1 1/16" (40 mm) Bottomrail Tube	0-140-04-CPC40	2
7a	XL Aluminum Bottomrail	0-140-05-ALBXX	-**
7b	1 1/16" (40mm) Galvanized Bottomrail Tube	0-154-TU-G4022	-**
7c	1 1/16" (40mm) Atos&AXIO Aluminum Bottomrail Tube With 2 Round Channels	0-151-AL-AAW19	-**
7d	1 1/16" (40mm) Atos&AXIO Aluminum Bottomrail Tube With Round & Rect. Channels	0-151-AL-ARX19	-**
7e	Straight Profile PU5	0-140-00-00020/5	-**
8a	Plastic End Cap for XL Bottomrail	0-140-05-RE0XX	2
8b	Plastic End Cap for 1 1/16" (40 mm) Bottomrail	0-140-04-EC04X	2
8c	Plastic End Cap Left & Right for Profile PU5	0-140-00-00023/4	1
9a	Rubber Weathertrip For XL Bottomrail	0-140-07-24860	-**
9b	Rubber Weathertrip For 1 1/16" (40mm) AL. Bottomrail With Round & Rect. Channels	0-140-07-24225	-**
10	6mm Hard Plastic Insert	0-140-07-79010	-**
11a	Anchor Set for Vertical Awning   Narrow Slider (Optional)	0-140-07-10271	1
11b	Anchor Set for Vertical Awning   Wide Slider (Optional)	0-140-07-10272	1

\*Other options also available

\*\*The quantity per shade varies depending on the width of the shade

**DEDUCTIONS**

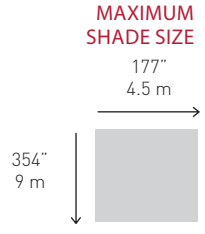
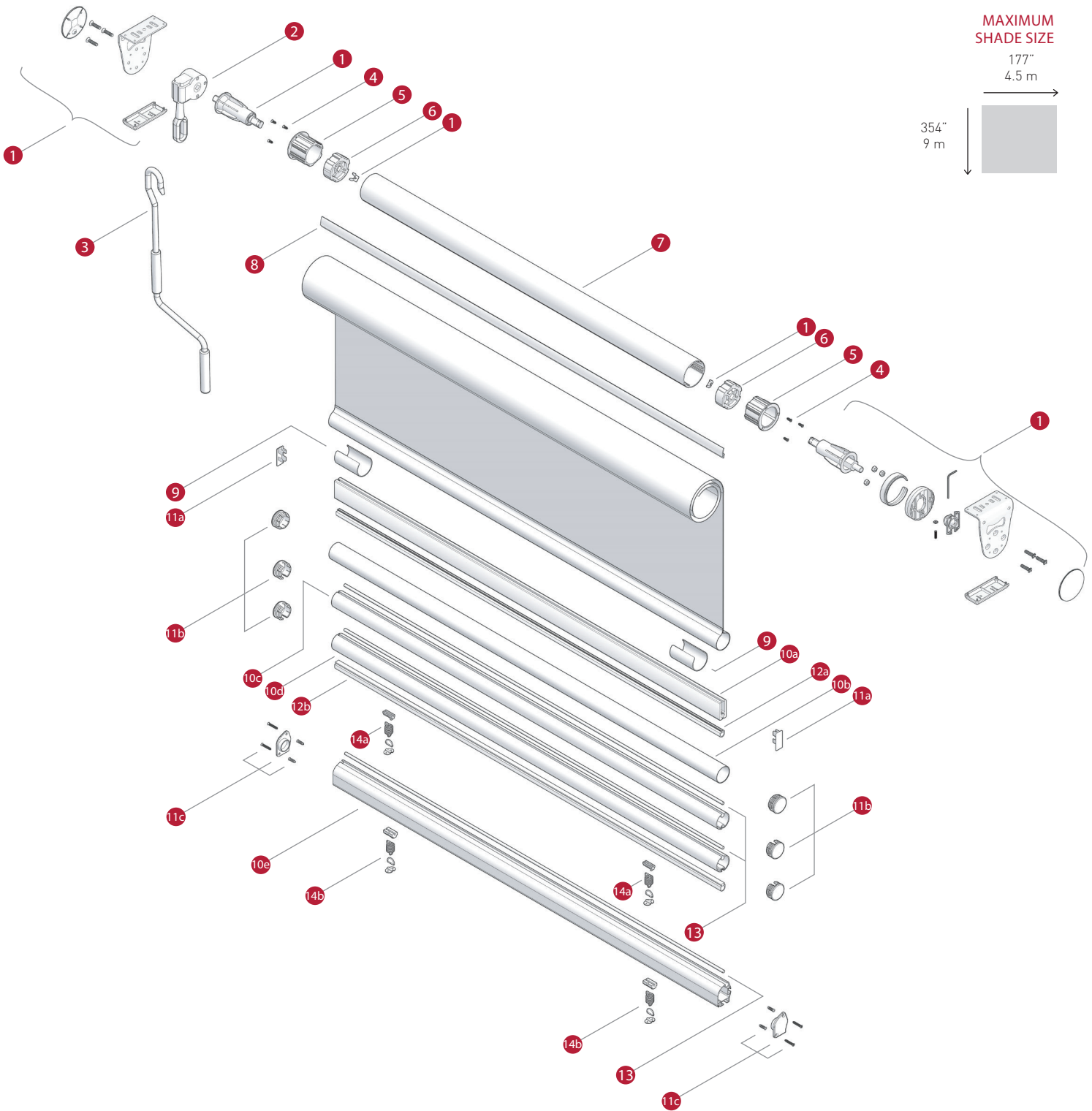
Gearbox	Active Side	Passive Side	Total
3:1	1 7/8" (47.6 mm)	1 1/2" (38.1 mm)	3 3/8" (85.7 mm)
7:1	2" (50.8 mm)	1 1/2" (38.1 mm)	3 1/2" (88.9 mm)
9:1	2" (50.8 mm)	1 1/2" (38.1 mm)	3 1/2" (88.9 mm)

\*The suggested measurements are provided for reference only.  
The customer is responsible for calculating their own deductions.



# MANUAL AXIO SYSTEM GUIDELESS SYSTEM WITH 63 mm TUBE

SCHEMATIC DIAGRAM | DESPIECE DEL SISTEMA





# MANUAL AXIO SYSTEM GUIDELESS SYSTEM WITH 63 mm TUBE

## SCHEMATIC DIAGRAM | DESPIECE DEL SISTEMA

### LEGEND | LEYENDA

NO.	DESCRIPTION	CODE	QTY
1	AXIO System - Set for Manual Shade	0-140-04-P02XX	1
2	Awning Gear Box	0-140-07-711XX*	1
3	Hand Crank Model Roma	0-140-07-730XX	1
4	Stainless Steel Screw 3.5x19 mm	0-140-05-03519	6
5	Crown Adapter for 1 3/4" (45 mm) Motor & 2 1/2" (63 mm) Tube	6-700-AC-45063	2
6	Drive Adapter for 1 3/4" (45 mm) Motor & 2 1/2" (63 mm) Tube	6-700-AD-45063	2
7	2 1/2" (63 mm) Aluminum Tube	0-154-TU-630XX	-**
8	2 1/2" (63 mm) Tube Channel Flat Insert	0-151-R1-00230	-**
9	Clear Plastic Protector Clip for 1 1/16" (40 mm) Bottomrail Tube	0-140-04-CPC40	2
10a	XL Aluminum Bottomrail	0-140-05-ALBXX	-**
10b	1 1/16" (40mm) Galvanized Bottomrail Tube	0-154-TU-G4022	-**
10c	1 1/16" (40mm) Atos&AXIO Aluminum Bottomrail Tube With 2 Round Channels	0-151-AL-AAW19	-**
10d	1 1/16" (40mm) Atos&AXIO Aluminum Bottomrail Tube With Round & Rect. Channels	0-151-AL-ARX19	-**
10e	Straight Profile PU5	0-140-00-00020/5	-**
11a	Plastic End Cap for XL Bottomrail	0-140-05-RE0XX	2
11b	Plastic End Cap for 1 1/16" (40 mm) Bottomrail	0-140-04-EC04X	2
11c	Plastic End Cap Left & Right for Profile PU5	0-140-00-00023/4	1
12a	Rubber Weathertrip For XL Bottomrail	0-140-07-24860	-**
12b	Rubber Weathertrip For 1 1/16" (40mm) Al. Bottomrail With Round & Rect. Channels	0-140-07-24225	-**
13	6mm Hard Plastic Insert	0-140-07-79010	-**
14a	Anchor Set for Vertical Awning   Narrow Slider (Optional)	0-140-07-10271	1
14b	Anchor Set for Vertical Awning   Wide Slider (Optional)	0-140-07-10272	1

\*Other options also available

\*\*The quantity per shade varies depending on the width of the shade

**DEDUCTIONS**

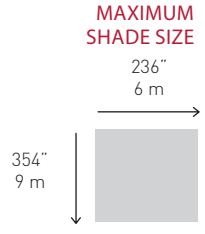
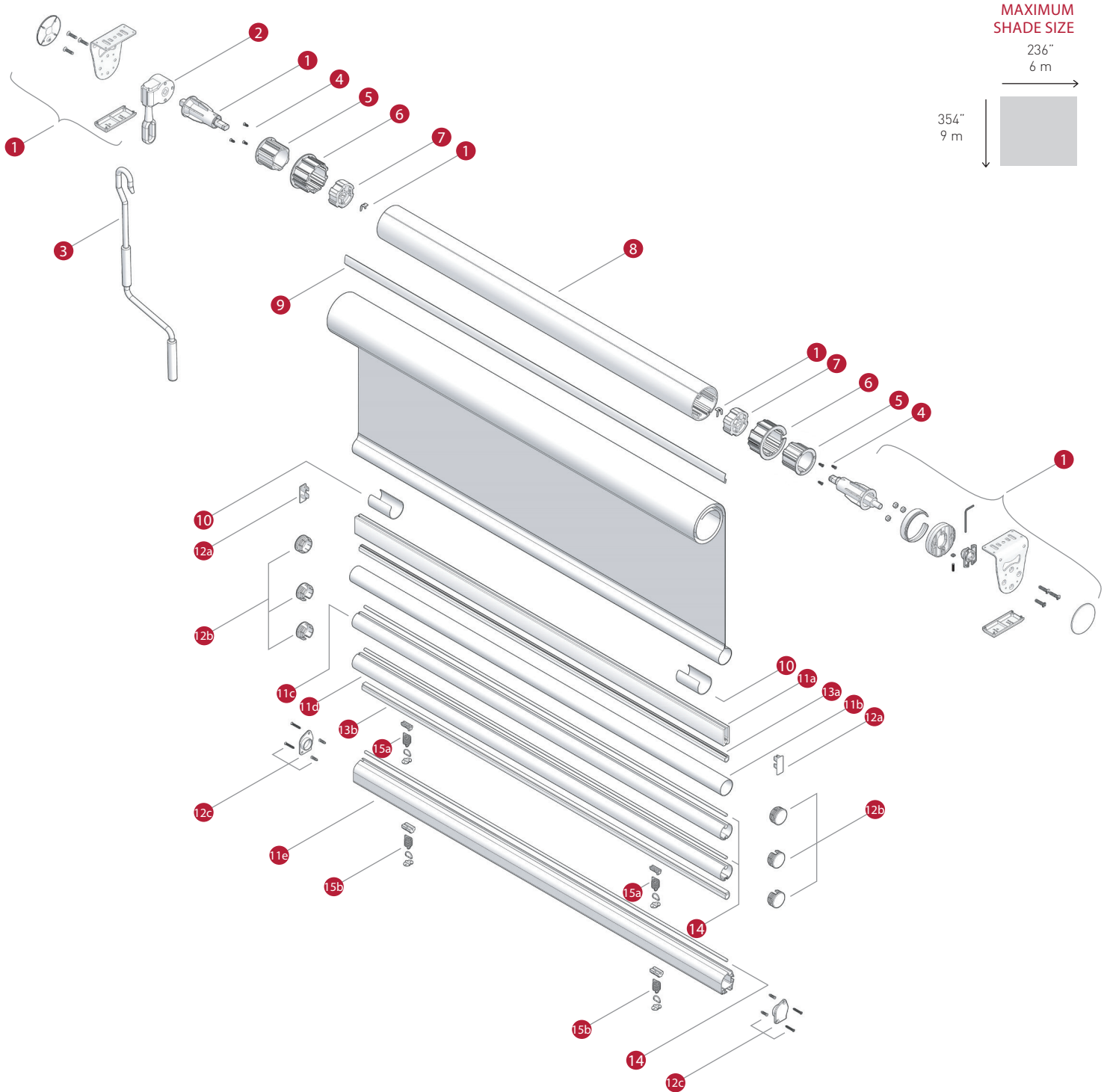
Gearbox	Active Side	Passive Side	Total
3:1	2 1/8" (54 mm)	1 1/2" (38.1 mm)	3 5/8" (92.1 mm)
7:1	2 1/8" (54 mm)	1 1/2" (38.1 mm)	3 5/8" (92.1 mm)
9:1	2 1/8" (54 mm)	1 1/2" (38.1 mm)	3 5/8" (92.1 mm)

\*The suggested measurements are provided for reference only.  
The customer is responsible for calculating their own deductions.



# MANUAL AXIO SYSTEM GUIDELESS SYSTEM WITH 83 mm TUBE

SCHEMATIC DIAGRAM | DESPIECE DEL SISTEMA





# MANUAL AXIO SYSTEM GUIDELESS SYSTEM WITH 83 mm TUBE

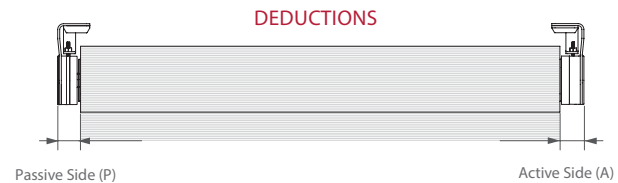
## SCHEMATIC DIAGRAM | DESPIECE DEL SISTEMA

### LEGEND | LEYENDA

NO.	DESCRIPTION	CODE	QTY
1	AXIO System - Set for Manual Shade	0-140-04-P02XX	1
2	Awning Gear Box	0-140-07-711XX*	1
3	Hand Crank Model Roma	0-140-07-730XX	1
4	Stainless Steel Screw 3.5x19 mm	0-140-05-03519	6
5	Crown Adapter for 1 3/4" (45 mm) Motor & 2 1/2" (63 mm) Tube	6-700-AC-45063	2
6	Adapter for change from 2 1/2" (63 mm) to 3 1/4" (83 mm) Tube	6-700-AZ-63083	2
7	Drive Adapter for 1 3/4" (45 mm) Motor & 2 1/2" (63 mm) Tube	6-700-AD-45063	2
8	3 1/4" (83mm) Structural Aluminum Tube	0-154-TU-8302X	-**
9	3 1/4" (83mm) Tube Channel Flat Insert	0-151-R1-00220	-**
10	Clear Plastic Protector Clip for 1 1/16" (40 mm) Bottomrail Tube	0-140-04-CPC40	2
11a	XL Aluminum Bottomrail	0-140-05-ALBXX	-**
11b	1 1/16" (40mm) Galvanized Bottomrail Tube	0-154-TU-G4022	-**
11c	1 1/16" (40mm) Atos&AXIO Aluminum Bottomrail Tube With 2 Round Channels	0-151-AL-AAW19	-**
11d	1 1/16" (40mm) Atos&AXIO Aluminum Bottomrail Tube With Round & Rect. Channels	0-151-AL-ARX19	-**
11e	Straight Profile PU5	0-140-00-00020/5	-**
12a	Plastic End Cap for XL Bottomrail	0-140-05-RE0XX	2
12b	Plastic End Cap for 1 1/16" (40 mm) Bottomrail	0-140-04-EC04X	2
12c	Plastic End Cap Left & Right for Profile PU5	0-140-00-00023/4	1
13a	Rubber Weathertrip For XL Bottomrail	0-140-07-24860	-**
13b	Rubber Weathertrip For 1 1/16" (40mm) Al. Bottomrail With Round & Rect. Channels	0-140-07-24225	-**
14	6mm Hard Plastic Insert	0-140-07-79010	-**
15a	Anchor Set for Vertical Awning   Narrow Slider (Optional)	0-140-07-10271	1
15b	Anchor Set for Vertical Awning   Wide Slider (Optional)	0-140-07-10272	1

\*Other options also available

\*\*The quantity per shade varies depending on the width of the shade



Gearbox	Active Side	Passive Side	Total
3:1	2 1/8" (54 mm)	1 1/2" (38.1 mm)	3 5/8" (92.1 mm)
7:1	2 1/8" (54 mm)	1 1/2" (38.1 mm)	3 5/8" (92.1 mm)
9:1	2 1/8" (54 mm)	1 1/2" (38.1 mm)	3 5/8" (92.1 mm)

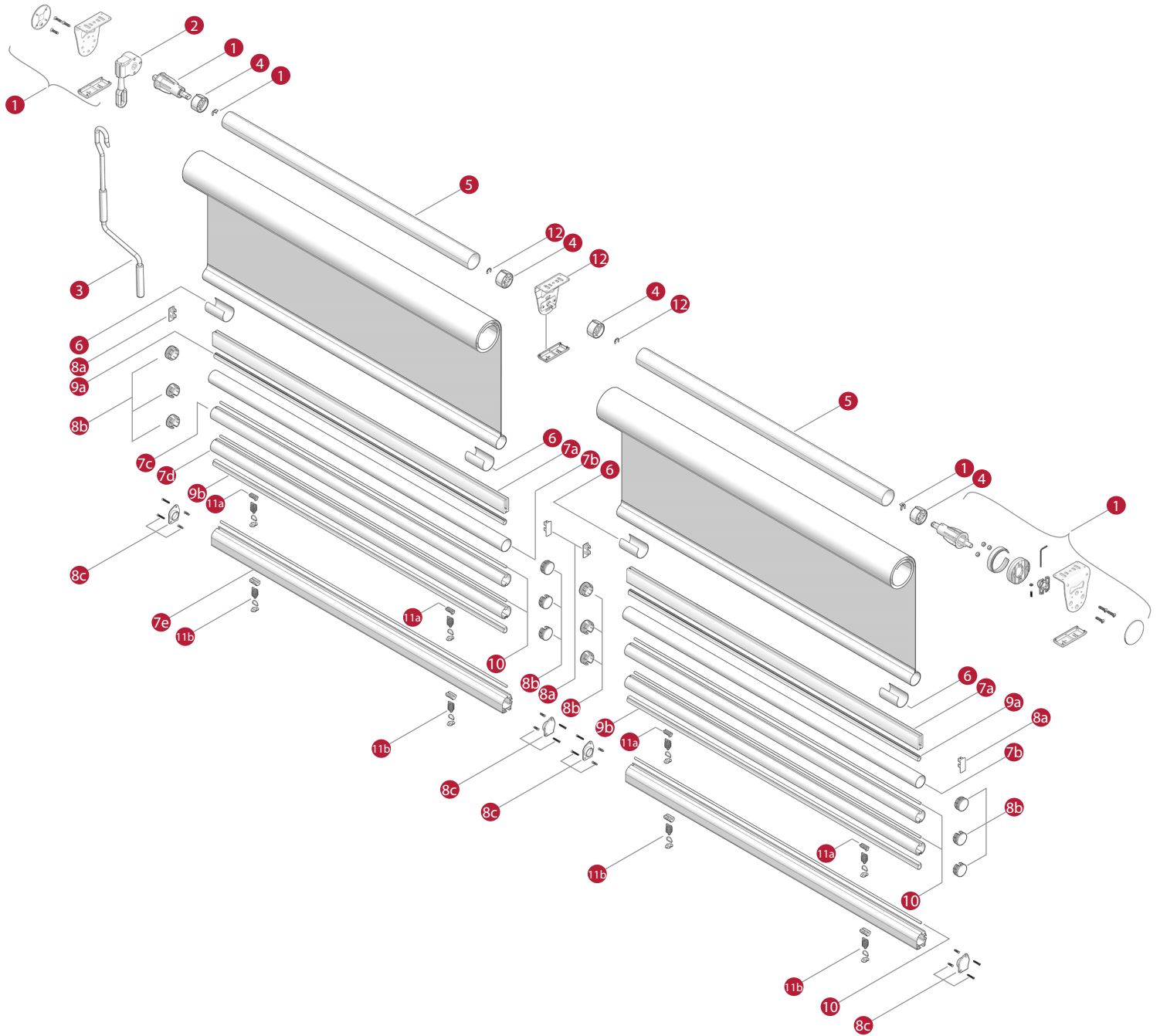
\*The suggested measurements are provided for reference only.  
The customer is responsible for calculating their own deductions.





# MANUAL DIRECT DRIVE AXIO SYSTEM FREE HANGING SYSTEM WITH 50 mm, 63 mm or 83 mm TUBE

SCHEMATIC DIAGRAM | DESPIECE DEL SISTEMA





# MANUAL DIRECT DRIVE AXIO SYSTEM FREE HANGING SYSTEM WITH 50 mm, 63 mm or 83 mm TUBE

SCHEMATIC DIAGRAM | DESPIECE DEL SISTEMA

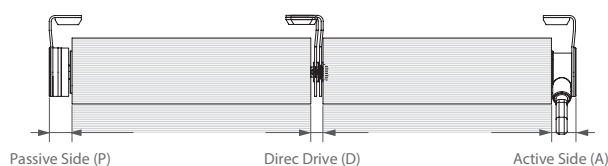
## LEGEND | LEYENDA

NO.	DESCRIPTION	CODE	QTY
1	AXIO System- Set for Manual Shade	0-140-04-P02XX	1
2	Awning Gear Box	0-140-07-711XX*	1
3	Hand Crank Model Roma	0-140-07-730XX	1
4	Drive Adapter	6-700-AD-XXXXX	4
5	Aluminum Tube	0-154-TU-XXXXX	-**
6	Clear Plastic Protector Clip for 1 1/16" (40 mm) Bottomrail Tube (optional)	0-140-04-CPC40	4
7a	XL Aluminum Bottomrail	0-140-05-ALBXX	-**
7b	1 1/16" (40mm) Galvanized Bottomrail Tube	0-154-TU-G4022	-**
7c	1 1/16" (40mm) Atos&AXIO Aluminum Bottomrail Tube With 2 Round Channels	0-151-AL-AAW19	-**
7d	1 1/16" (40mm) Patio Aluminum Bottomrail Tube	0-151-AL-ARX19	-**
7e	Straight Profile PU5	0-140-00-00020/5	-**
8a	Plastic End Cap for XL Bottomrail	0-140-05-RE0XX	4
8b	Plastic End Cap for 1 1/16" (40 mm) Bottomrail	0-140-04-EC04X	4
8c	Plastic End Cap Left & Right for Profile PU5	0-140-00-00023/4	2
9a	Rubber Weatherstrip For XL Bottomrail	0-140-07-24860	-**
9b	Rubber Weatherstrip For 1 1/16" (40mm) AL. Patio Bottomrail	0-140-07-24225	-**
10	6mm Hard Plastic Insert	0-140-07-79010	-**
11a	Anchor Set for Vertical Awning   Narrow Slider (Optional)	0-140-07-10271	4
11b	Anchor Set for Vertical Awning   Wide Slider (Optional)	0-140-07-10272	4
12	Direct Drive Support Set	0-140-04-P04XX	1

\*Other options also available

\*\*The quantity varies depending on the width of the shade

### DEDUCTIONS



Gearbox	Active Side	Direct Drive	Passive Side	Total*
3:1	1 7/8" (47.6 mm)	3/4" (18.5 mm)	1 1/2" (38.1 mm)	4 1/8" (104.2 mm)
7:1	2" (50.8 mm)	3/4" (18.5 mm)	1 1/2" (38.1 mm)	4 1/4" (107.4 mm)
9:1	2" (50.8 mm)	3/4" (18.5 mm)	1 1/2" (38.1 mm)	4 1/4" (107.4 mm)

\*The suggested measurements are provided for reference only.  
The customer is responsible for calculating their own deductions.



# AXIO SYSTEM

COMPATIBLE GEAR BOXES | MÁQUINAS COMPATIBLES

PICTURE	DESCRIPTION	RATIO	MAX. WEIGHT CAPACITY	GEAR BOX WEIGHT
	<p>AXIO SYSTEM - Atos Manual System Control - White 0-153-01-01502</p> <p>AXIO SYSTEM - Atos Manual System Control - Black 0-153-01-015B2</p>	3:1	40 kg	460 g
	<p>Awning Gear Box 1:7 Threaded - White 0-140-07-71120</p>	7:1	91 kg	718 g
	<p>AXIO SYSTEM - Atos Manual System Control - White 0-153-01-01501</p>	9:1	110 kg	710 g
	<p>Awning Gear Box 1:11 Long Crank - White 0-140-07-71110</p>	11:1	121 kg	781 g



# AXIO SYSTEM

COMPATIBLE MOTORS | MOTORES COMPATIBLES

## SERIE Ø35

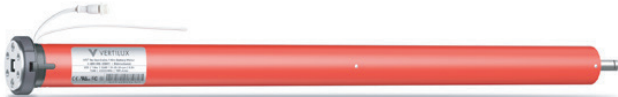
Requires Accessory Motor Square Instalation Block + Clip 6-700-BR-SQ005



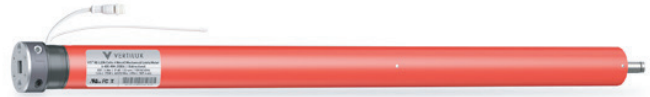
VTi RE-LION Celtic AC Electronic Limits Motor | Unidirectional | 6 Nm  
6-800-ME-35B06 (110V)



VTi RE-LION Celtic AC Mechanical Limits Motor | Bidirectional | 6 Nm  
6-800-MM-35B06 (110V)



VTi RE-LION Celtic AC Electronic Limits Motor | Bidirectional | 6 Nm  
6-800-ME-35BC6 (110V)



VTi RE-LION Celtic AC Mechanical Limits Motor | Bidirectional | 6 Nm  
6-800-MM-35BC06 (110V)



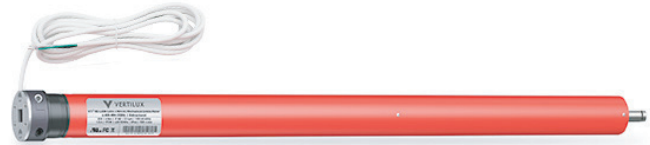
VTi RE-LION Celtic AC Electronic Limits Motor | Bidirectional | Wi-Fi | 6 Nm  
6-800-ME-35BW6 (110V)



VTi RE-LION Celtic AC Standard Motor | 6 Nm  
6-800-MM-35S06 (110V)



VTi RE-LION Celtic AC Electronic Limits Motor | Unidirectional | 6 Nm  
6-800-ME-35U06 (110V)



VTi RE-LION Celtic AC Mechanical Limits Motor | Unidirectional | 6 Nm  
6-800-MM-35U06 (110V)

NOTE: The maximum shade size of AXIO System varies depending on the weight capacity of each motor. For more information refer to the technical sheet of the motor.



## AXIO SYSTEM

COMPATIBLE TUBES & ADAPTERS FOR MOTORIZATION

TUBOS COMPATIBLES Y ADAPTADORES PARA MOTORIZACIÓN

### SERIE Ø45

---



VTi RE-LION Celtic AC Electronic Limits Motor | Bidirectional | 20 Nm  
6-800-ME-45B20 (110V)



VTi RE-LION Celtic AC Standard Motor | 20 Nm  
6-800-MM-45S20 (110V)



VTi RE-LION Celtic AC Electronic Limits Motor | Bidirectional | Wi-Fi | 20 Nm  
6-800-ME-45BW2 (110V)



VTi RE-LION Celtic AC Mechanical Limits Motor | Unidirectional | 20 Nm  
6-800-MM-45U20 (110V)



VTi RE-LION Celtic AC Electronic Limits Motor | Unidirectional | 20 Nm  
6-800-ME-45U20 (110V)

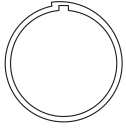
NOTE: The maximum shade size of AXIO System varies depending on the weight capacity of each motor. For more information refer to the technical sheet of the motor.






## AXIO SYSTEM

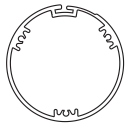
COMPATIBLE TUBES & ADAPTERS FOR MOTORIZATION  
TUBOS COMPATIBLES Y ADAPTADORES PARA MOTORIZACIÓN

SERIE Ø35\*

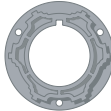



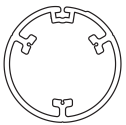
### 2" (50 mm) KEYED ALUMINUM TUBE

CODE	DESCRIPTION	CROWN	DRIVE	END PLUG ADAPTER
0-154-TU-50210	2" (50 mm) Aluminum Recessed & Keyed Tube with tape   16'			
0-154-TU-50211	2" (50 mm) Aluminum Recessed & Keyed Tube with tape   19'	6-700-AC-35K50	6-700-AD-35K50	0-154-AD-38K50

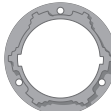

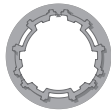


### 2 1/2" (63 mm) STRUCTURED ALUMINUM TUBE

CODE	DESCRIPTION	CROWN	DRIVE
0-154-TU-63011	2 1/2" (63 mm) Structured Aluminum Tube w/Recessed & Flat Channel with Tape   MF 19'		
0-154-TU-63021	2 1/2" (63 mm) Structured Aluminum Tube w/Recessed & Flat Channel & no Tape   MF 19'	6-700-AC-35063	6-700-AD-45063



### 3 1/4" (83 mm) STRUCTURED ALUMINUM TUBE

CODE	DESCRIPTION	CROWN	DRIVE	END PLUG ADAPTER
0-154-TU-83021	3 1/4" (83 mm) Structured Aluminum Tube w/Recessed & Flat Channel   Mill Finish 19'			
		6-700-AC-45063	6-700-AD-45063	6-700-AZ-63083 **

\*Required accessory for AXIO system with 35mm motors: 6-700-BR-SQ001

\*\*2 pcs required, one on each side.

vertilux.com

© 2024, Vertilux, Ltd. All Rights Reserved. Last revised: April 2024



# AXIO SYSTEM





COMPATIBLE TUBES & ADAPTERS FOR MOTORIZATION

TUBOS COMPATIBLES Y ADAPTADORES PARA MOTORIZACIÓN

## SERIE Ø45 | 20 Nm MOTORS

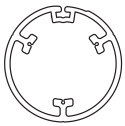


2 1/2" (63mm) STRUCTURED ALUMINUM TUBE



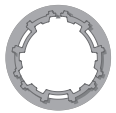
CODE	DESCRIPTION	CROWN	DRIVE
0-154-TU-63011	2 1/2" (63 mm) Structured Aluminum Tube w/Recessed & Flat Channel with Tape   MF 19'		
0-154-TU-63021	2 1/2" (63 mm) Structured Aluminum Tube w/Recessed & Flat Channel & no Tape   MF 19'		

6-700-AC-45063

6-700-AD-45063



3 1/4" (83 mm) STRUCTURED ALUMINUM TUBE

CODE	DESCRIPTION	CROWN	DRIVE	END PLUG ADAPTER
0-154-TU-83021	3 1/4" (83 mm) Structured Aluminum Tube w/Recessed & Flat Channel   Mill Finish 19'			

6-700-AC-45063

6-700-AD-45063

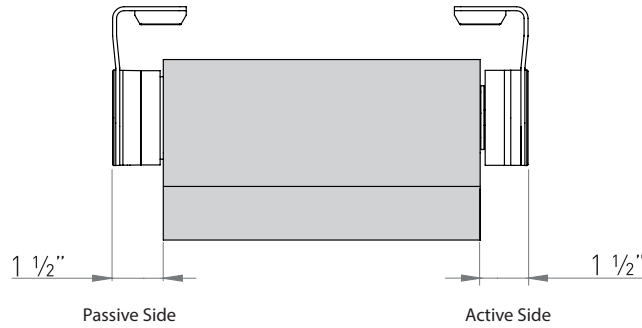
6-700-AZ-63083 \*

\*2 pcs required, one on each side.



# AXIO SYSTEM

## DEDUCTIONS | DEDUCCIONES



MOTORS	GUIDED		GUIDELESS	
	Active Side	Passive Side	Active Side	Passive Side
VTi® Celtic Motors Series Ø35 6-700-CX-35XXX	1 5/8" (41.3 mm)	1 1/2" (38.1 mm)	1 5/8" (41.3 mm)	1 1/2" (38.1 mm)
VTi® Celtic Motors Series Ø45 6-700-CX-45XXX	1 5/8" (41.3 mm)	1 1/2" (38.1 mm)	1 5/8" (41.3 mm)	1 1/2" (38.1 mm)
VTi® Celtic Motors Series Ø45 Manual Override 6-700-CX-45M20	2 1/8" (54 mm)	1 1/2" (38.1 mm)	2 1/8" (54 mm)	1 1/2" (38.1 mm)

GEAR BOX	GUIDED		GUIDELESS	
	Active Side	Passive Side	Active Side	Passive Side
AXIO SYSTEM - Atos Manual System Control - White   Ratio 3:1 0-153-01-015X2	1 7/8" (47.6 mm)	1 1/2" (38.1 mm)	1 7/8" (47.6 mm)	1 1/2" (38.1 mm)
Awning Gear Box Threaded White   Ratio 7:1 0-140-07-71120	2" (50.8 mm)	1 1/2" (38.1 mm)	2" (50.8 mm)	1 1/2" (38.1 mm)
AXIO SYSTEM - Atos Manual System Control - White   Ratio 9:1 0-153-01-01501	2" (50.8 mm)	1 1/2" (38.1 mm)	2" (50.8 mm)	1 1/2" (38.1 mm)

\* This chart is provided as a reference for deduction calculation purposes. However, some variations are possible. Vertilux strongly recommends the validation of the specific deductions for every particular project.





**VERTILUX**

IDEAS FOR YOUR SPACE

1.800.356.8837

[sales@vertilux.com](mailto:sales@vertilux.com)

[vertilux.com](http://vertilux.com)