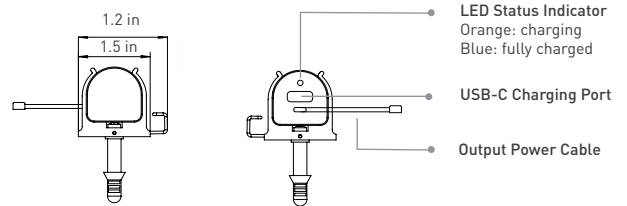
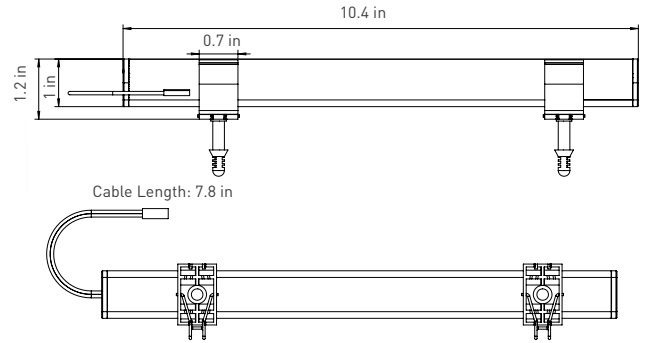




VTi® RE-LION EXTERNAL RECHARGEABLE BATTERY PACK 5 V DC 6-800-MA-MLBP5



TECHNICAL DRAWING



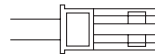
FEATURES

- Compatible with VTi® Low Voltage Motors: 6-800-ML-25B12.
- Slim design allows for placement in smaller window openings.
- Can be used with pre-existing and new installations.
- Offer up to 450 UP/Down cycles per charge. Actual number vary based on the size of the shade.
- Convenient 5V DC (USB-C) charging port provide a quick charging experience. Battery fully charged in 8 hours (actual number vary based on the size of the shade).

TECHNICAL SPECS

Model	6-800-MA-MLBP5
Color	White
Input Voltage	5 V DC (USB-C)
Typical Voltage	10.8 V DC
Nominal Voltage	12.2 V
Rated Energy	27.75 Wh
Discharging Current	3 A Max.
Input Current	2A
Battery Size	2500 mAh
Battery Type	Rechargeable Li-ion battery
Working Temperature	32 ~ 122°F 0 ~ 50°C
Charging Time	8 hours
Price	--

WIRING



Output Power Cable:
7 in | 177 mm 22 AWG Flat Cable, white
Cable Polarity:
Solid White (+), Grey dashes (-)
Connector:
2 PIN JST female connector

IN THE BOX



Wall | Ceiling Holders

COMPATIBLE ACCESORIES



Battery Charger
6-800-MA-BUSBT