



VERTILUX

IDEAS FOR YOUR SPACE

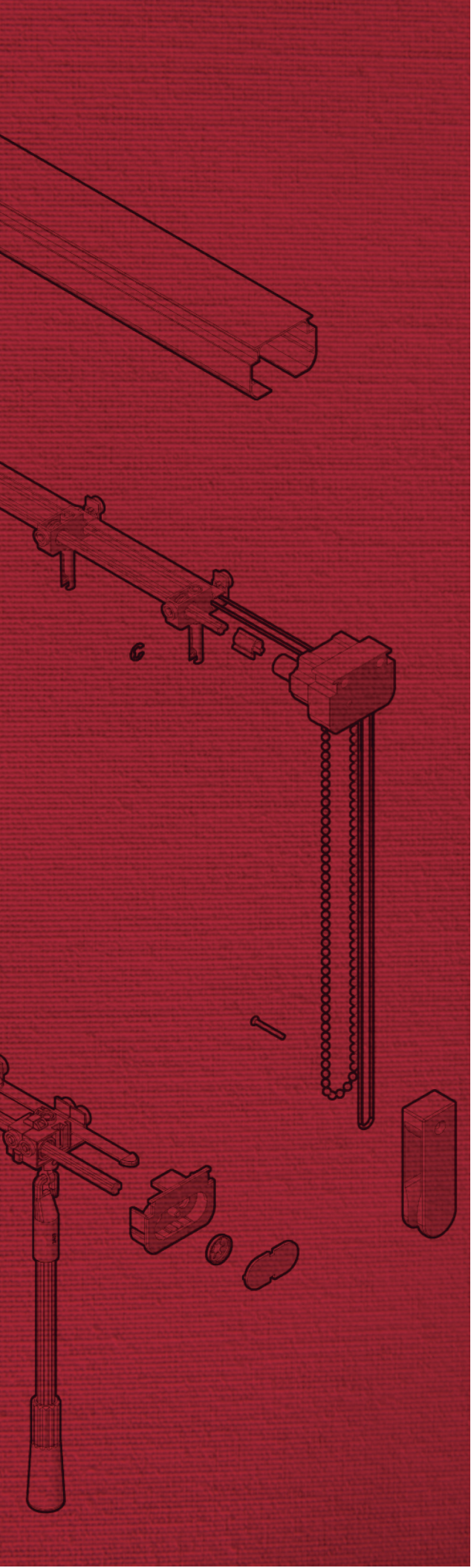


DUNES SYSTEM





Dunes
SYSTEM



Installation Options

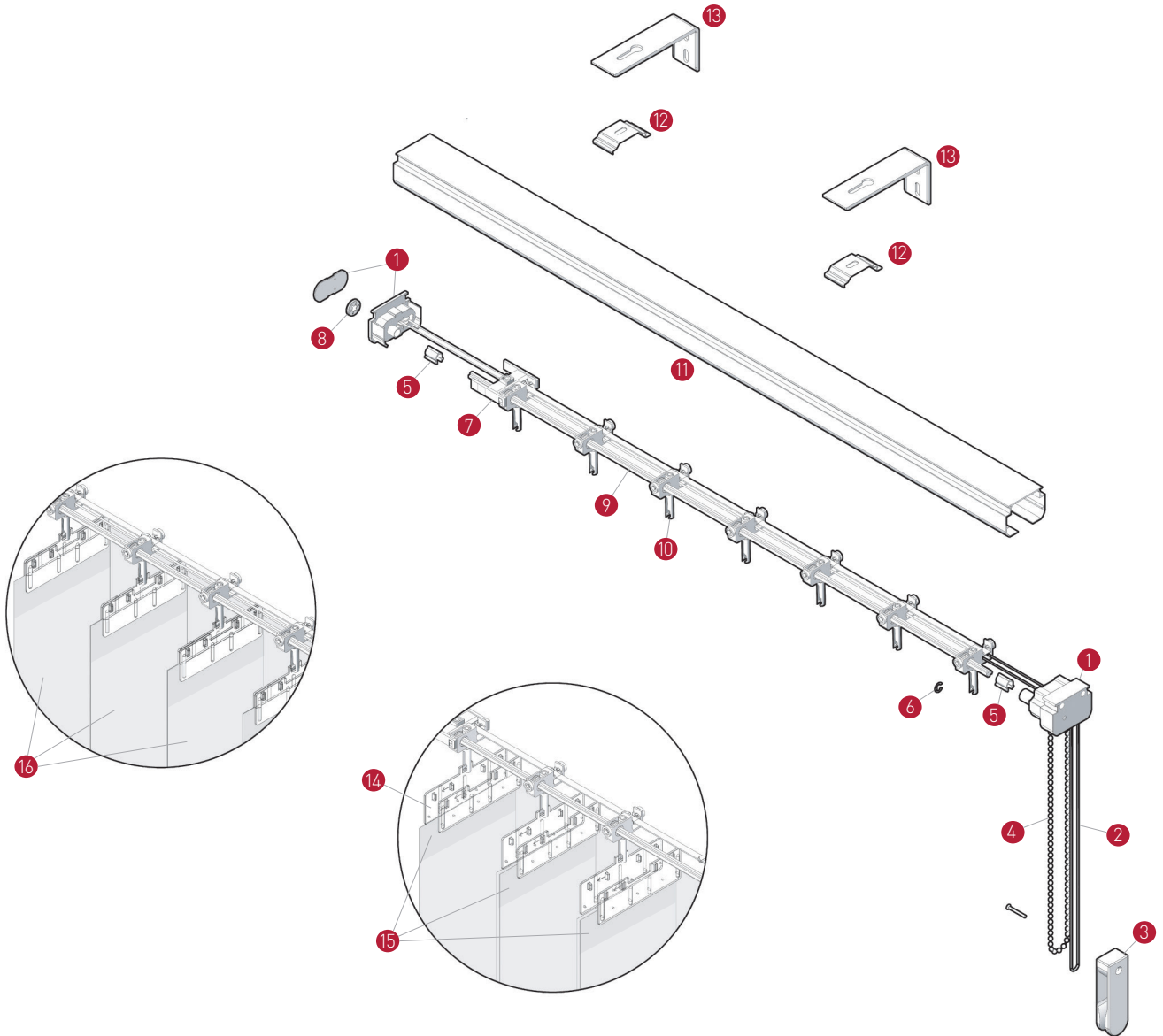
MANUAL OPERATION





DUNES SHADES SYSTEM | CORD-CHAIN OPERATION WITH MATRIX ELLIPSE TRACK

SCHEMATIC DIAGRAM | DESPIECE DEL SISTEMA





DUNES SHADES SYSTEM CORD-CHAIN OPERATION WITH MATRIX ELLIPSE TRACK

SCHEMATIC DIAGRAM | DESPIECE DEL SISTEMA

LEGEND | LEYENDA

NO.	DESCRIPTION	CODE	QTY	UNIT
1	MATRIX Control for Ellipse Round Track - White (50), Ivory (51), Grey (52)	0-031-P1-002XX	1	SET
2	Nylon Cord - Medium (1), Hard (3)	0-030-CA-05X00	-*	RL
3	"P" Tension Device - Clear OR Tension Device - Clear	0-154-TD-01001 0-154-TD-01002	2	EA
4	Chain - #10 Nickel Plated Brass, #10 Nickel Plated Steel, #10 Stainless Steel, #10 Plastic High Density, #10 Plastic Standard (see available chains in the table bellow)	0-151-CH-0XXXX	-*	FT
5	½" Spacers (9) ¾" Spacers (6) 1" Spacers (7)	0-030-CA-10X00	-*	EA
6	Open "C" Clip for 3 & 4 Prong Pinion	0-030-CA-09000	1	EA
7	MATRIX Cord Drive Master Carrier for Strap Carriers OR MATRIX Cord Drive Runner for Strap Carriers	0-031-P1-00300 0-031-P1-00310	1 1	SET EA
8	MATRIX 4 Prong Pinion Pushnut for Strap Carrier ¹³ / ₆₄ OR MATRIX 4 Prong Pinion Pushnut for Strap Carrier ⁷ / ₃₂	0-031-P1-00500 0-030-CA-08500	1	EA
9	4P Pinion Gear Mill Finish - 19'	0-040-AL-P0210	-*	FT
10	MX93/MATRIX 4P Link Carrier 4 ¾" Right Side (5), Left Side (6)	0-031-CA-026LX	-*	BX
11	MATRIX Aluminum Ellipse Track (Strap/Scissor Carrier) 16' : White (00), Silver Grey (10), Anodized (20), Ivory (30) 19' : White (01), Silver Grey (11), Anodized (21), Ivory (31)	0-040-AL-002XX	-*	FT
12	MATRIX Ceiling Mount Snap in Bracket	0-031-CA-07100	3+	EA
13	Adjustable "L" Bracket 3 ⅜" to 5 ¼"	0-030-CA-06600	3*	EA
14	DUNES Luminux - Hanger Clear	0-159-CA-00300	-*	EA
15	None Woven 4 3/4" w/Heat Adhesive (Strip cut)	0-159-CA-00100	-*	EA
16	DUNES Fabric	0-000-98-XXXXX	-*	YD
-	MATRIX Magnetic Tiltrod Support for Scissor Carrier (Not shown in the diagram)	0-031-P1-00410	-*	EA

*The quantity per blind varies depending on the length or height of the blind.

AVAILABLE CHAINS | CADENAS DISPONIBLES

NO.	DESCRIPTION	CODE	QTY	UNIT
4	#10 Nickel Plated Brass Chain #10 Nickel Plated Steel Chain Qualified 50/51 #10 Stainless Steel, High Density Chain Qualified 50/51 #10 Plastic Chain HiDensity - Ivory (03), Gray (06), White (07), Bronze (12), Black (18) #10 Plastic Chain Standard - Ivory (3), White (7)	0-151-CH-00200 0-151-CH-004Q0 0-151-CH-004SS 0-151-CH-0XXH0 0-151-CH-00X00	-*	FT

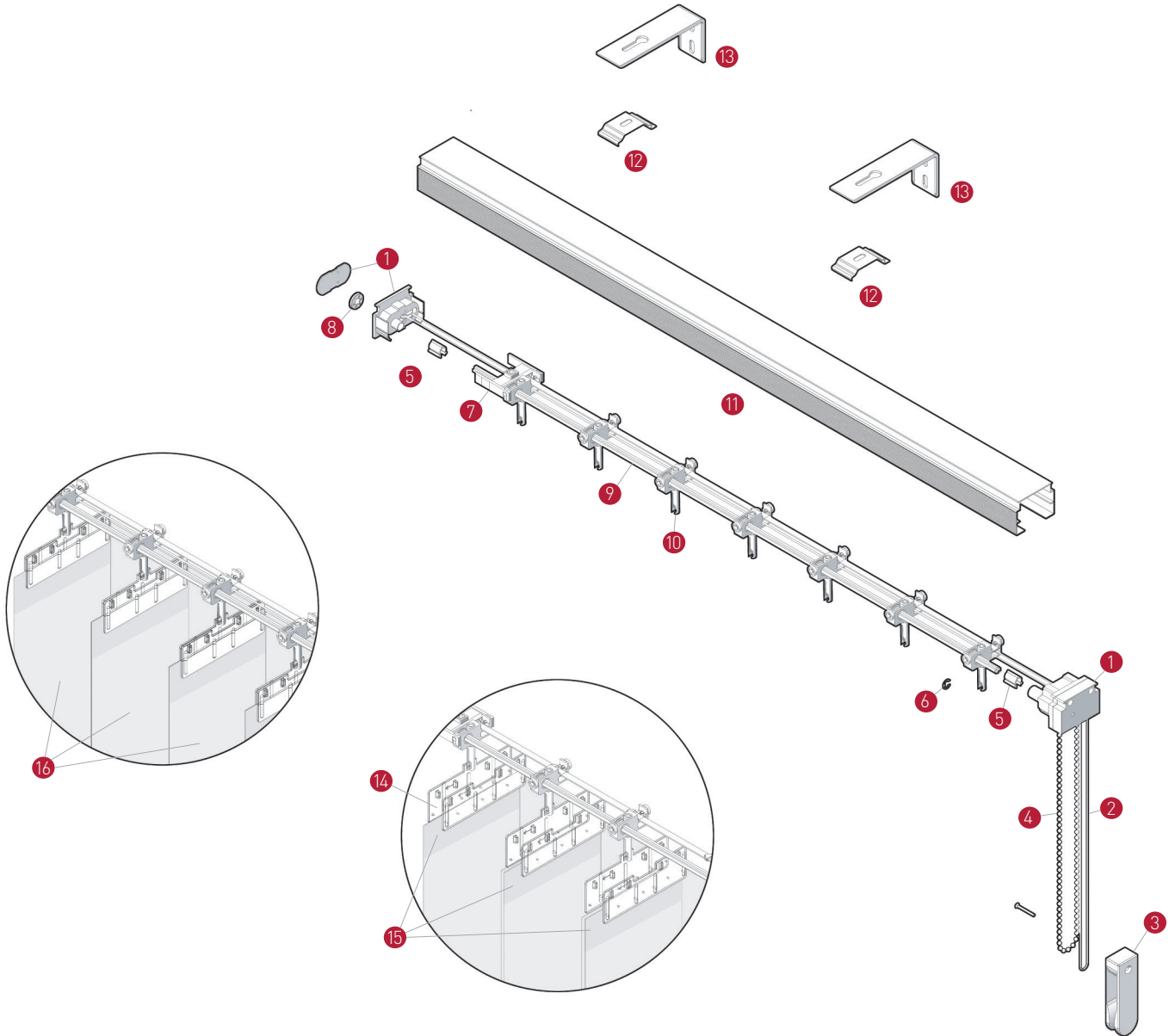
MACHINERY | MAQUINARIA

NO.	DESCRIPTION	CODE	QTY	UNIT
-	Heat Press Machine for DUNES Shades Hot Wire Cutting Station for DUNES Shades Flat Pliers for DUNES/Luminux Hanger Assembly	2-159-01-00100 2-159-01-00200 2-159-01-00300	1 1 1	EA EA EA



DUNES SHADES SYSTEM | CORD-CHAIN OPERATION WITH MATRIX FLAT TRACK

SCHEMATIC DIAGRAM | DESPIECE DEL SISTEMA





DUNES SHADES SYSTEM | CORD-CHAIN OPERATION WITH MATRIX FLAT TRACK

SCHEMATIC DIAGRAM | DESPIECE DEL SISTEMA

LEGEND | LEYENDA

NO.	DESCRIPTION	CODE	QTY	UNIT
1	MATRIX Control for Square Track - White (0), Ivory (1), Grey (2)	0-031-P1-002X0	1	SET
2	Nylon Cord - Medium (1), Hard (3)	0-030-CA-05X00	-*	RL
3	Cord/Chain "P" Tension Device - Clear OR Cord/Chain Tension Device - Clear	0-154-TD-01001 0-154-TD-01002	2	EA
4	Chain - #10 Nickel Plated Brass, #10 Nickel Plated Steel, #10 Stainless Steel, #10 Plastic High Density, #10 Plastic Standard (see available chains in the table below)	0-151-CH-0XXXX	-*	FT
5	1/2" Spacers (9) 3/4" Spacers (6) 1" Spacers (7)	0-030-CA-10X00	-*	EA
6	Open "C" Clip for 3 & 4 Prong Pinion	0-030-CA-09000	1	EA
7	MATRIX Cord Drive Master Carrier for Strap Carriers OR MATRIX Cord Drive Runner for Strap Carriers	0-031-P1-00300 0-031-P1-00310	1 1	SET EA
8	MATRIX 4 Prong Pinion Pushnut for Strap Carrier 13/64 OR MATRIX 4 Prong Pinion Pushnut for Strap Carrier 7/32	0-031-P1-00500 0-030-CA-08500	1	EA
9	4P Pinion Gear Mill Finish - 19'	0-040-AL-P0210	-*	FT
10	MX93/MATRIX 4P Link Carrier 4 3/16" Right Side (5), Left Side (6)	0-031-CA-026LX	-*	BX
11	MATRIX Aluminum Flat Track (Strap/Scissor Carrier) 16' : White (00), Silver Grey (10), Anodized (20), Ivory (30) 19' : White (01), Silver Grey (11), Anodized (21), Ivory (31)	0-040-AL-001XX	-*	FT
12	MATRIX Ceiling Mount Snap in Bracket	0-031-CA-07100	3+	EA
13	Adjustable "L" Bracket 3 3/8" to 5 3/4"	0-030-CA-06600	3+	EA
14	DUNES Luminux - Hanger Clear	0-159-CA-00300	-*	EA
15	None Woven 4 3/4" w/Heat Adhesive (Strip cut)	0-159-CA-00100	-*	EA
16	DUNES Fabric	0-000-98-XXXXX	-*	YD
-	MATRIX Magnetic Tiltrod Support for Scissor Carrier (Not shown in the diagram)	0-031-P1-00410	-*	EA

*The quantity per blind varies depending on the length or height of the blind.

AVAILABLE CHAINS | CADENAS DISPONIBLES

NO.	DESCRIPTION	CODE	QTY	UNIT
4	#10 Nickel Plated Brass Chain #10 Nickel Plated Steel Chain Qualified 50/51 #10 Stainless Steel, High Density Chain Qualified 50/51 #10 Plastic Chain HiDensity - Ivory (03), Gray (06), White (07), Bronze (12), Black (18) #10 Plastic Chain Standard - Ivory (3), White (7)	0-151-CH-00200 0-151-CH-004Q0 0-151-CH-004SS 0-151-CH-0XXH0 0-151-CH-00X00	-*	FT

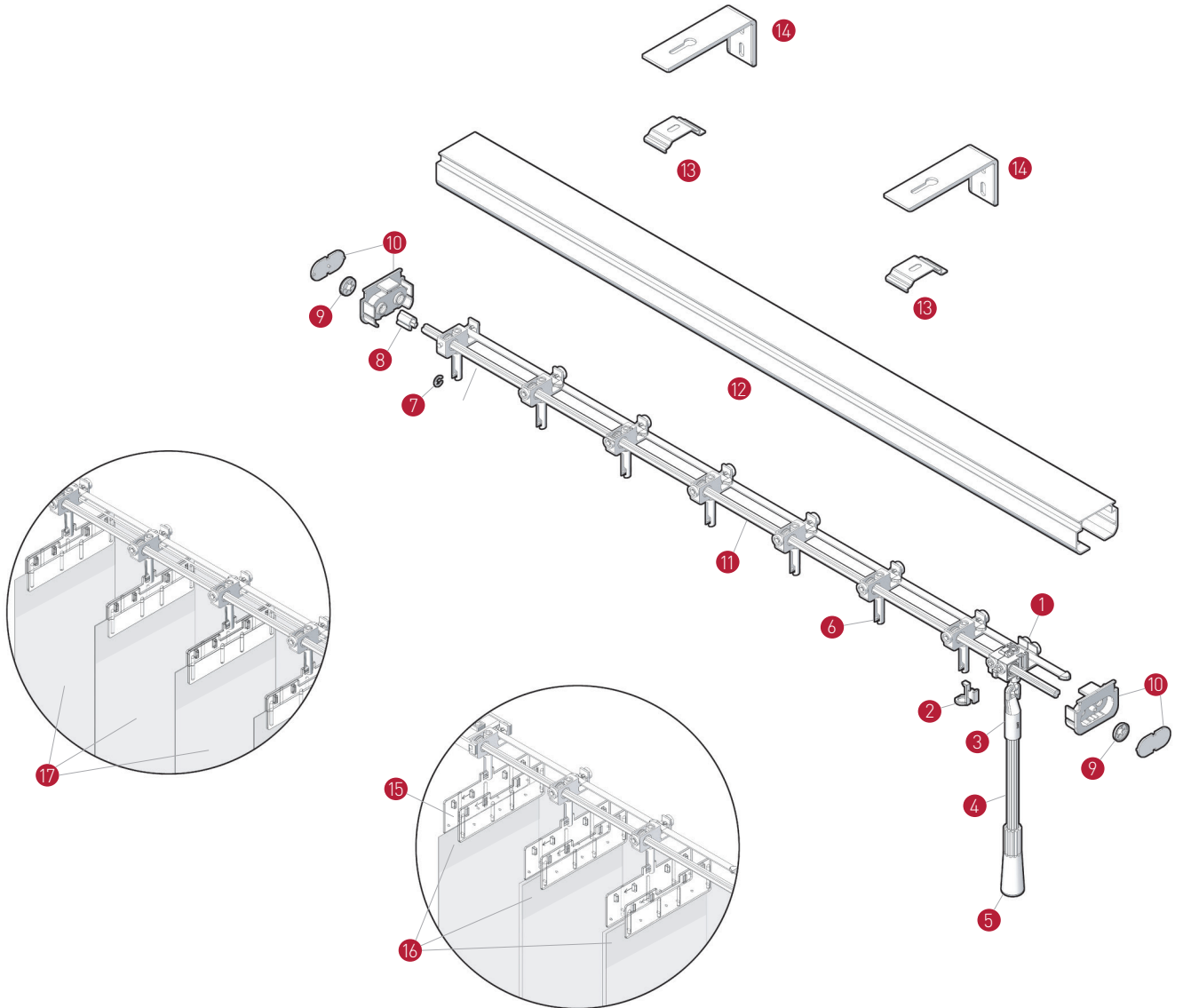
MACHINERY | MAQUINARIA

NO.	DESCRIPTION	CODE	QTY	UNIT
-	Heat Press Machine for DUNES Shades	2-159-01-00100	1	EA
-	Hot Wire Cutting Station for DUNES Shades	2-159-01-00200	1	EA
-	Flat Pliers for DUNES/Luminux Hanger Assembly	2-159-01-00300	1	EA



DUNES SHADES SYSTEM | WAND OPERATION WITH MATRIX ELLIPSE TRACK

SCHEMATIC DIAGRAM | DESPIECE DEL SISTEMA





DUNES SHADES SYSTEM | WAND OPERATION WITH MATRIX ELLIPSE TRACK

SCHEMATIC DIAGRAM | DESPIECE DEL SISTEMA

LEGEND | LEYENDA

NO.	DESCRIPTION	CODE	QTY	UNIT
1	MATRIX Control for Wand Operation	0-031-P1-00800	1	SET
2	MATRIX Connector for Strap Carriers	0-031-CA-00900	1	EA
3	Hook for Vertical Wand Control Carrier - White	0-181-CA-0260V	1	EA
4	Aluminum Wand 16' - White	0-181-CA-03000	-*	FT
5	Wand Knob - White	0-181-CA-02700	1	EA
6	MX93/MATRIX 4P Link Carrier 4 3/16" Right Side (5), Left Side (6)	0-031-CA-026LX	-*	BOX
7	Open "C" Clip for 3 & 4 Prong Pinion	0-030-CA-09000	1	EA
8	1/2" Spacers (9) 3/4" Spacers (6) 1" Spacers (7)	0-030-CA-10X00	-*	EA
9	MATRIX 4 Prong Pinion Pushnut for Strap Carrier 13/64 OR MATRIX 4 Prong Pinion Pushnut for Strap Carrier 7/32	0-031-P1-00500 0-030-CA-08500	2 2	EA EA
10	MATRIX Round End Cap Set for Wand Operation - White	0-031-P1-01500	2	SET
11	4P Pinion Gear Mill Finish - 19'	0-040-AL-P0210	-*	FT
12	MATRIX Aluminum Ellipse Track (Strap or Scissor Carriers) 16' : White (00), Silver Grey (10), Anodized (20), Ivory (30) 19' : White (01), Silver Grey (11), Anodized (21), Ivory (31)	0-040-AL-002XX	-*	FT
13	MATRIX Ceiling Mount Snap in Bracket	0-031-CA-07100	3+	EA
14	Adjustable "L" Bracket 3 3/8" to 5 3/4"	0-030-CA-06600	3+	EA
15	DUNES Luminux - Hanger Clear	0-159-CA-00300	-*	EA
16	None Woven 4 3/4" w/Heat Adhesive (Strip cut)	0-159-CA-00100	-*	EA
17	DUNES Fabric	0-000-98-XXXXX	-*	YD
-	MATRIX Magnetic Tiltrod Support for Scissor Carrier (Not shown in the diagram)	0-031-P1-00410	-*	EA

*The quantity per blind varies depending on the length or height of the blind.

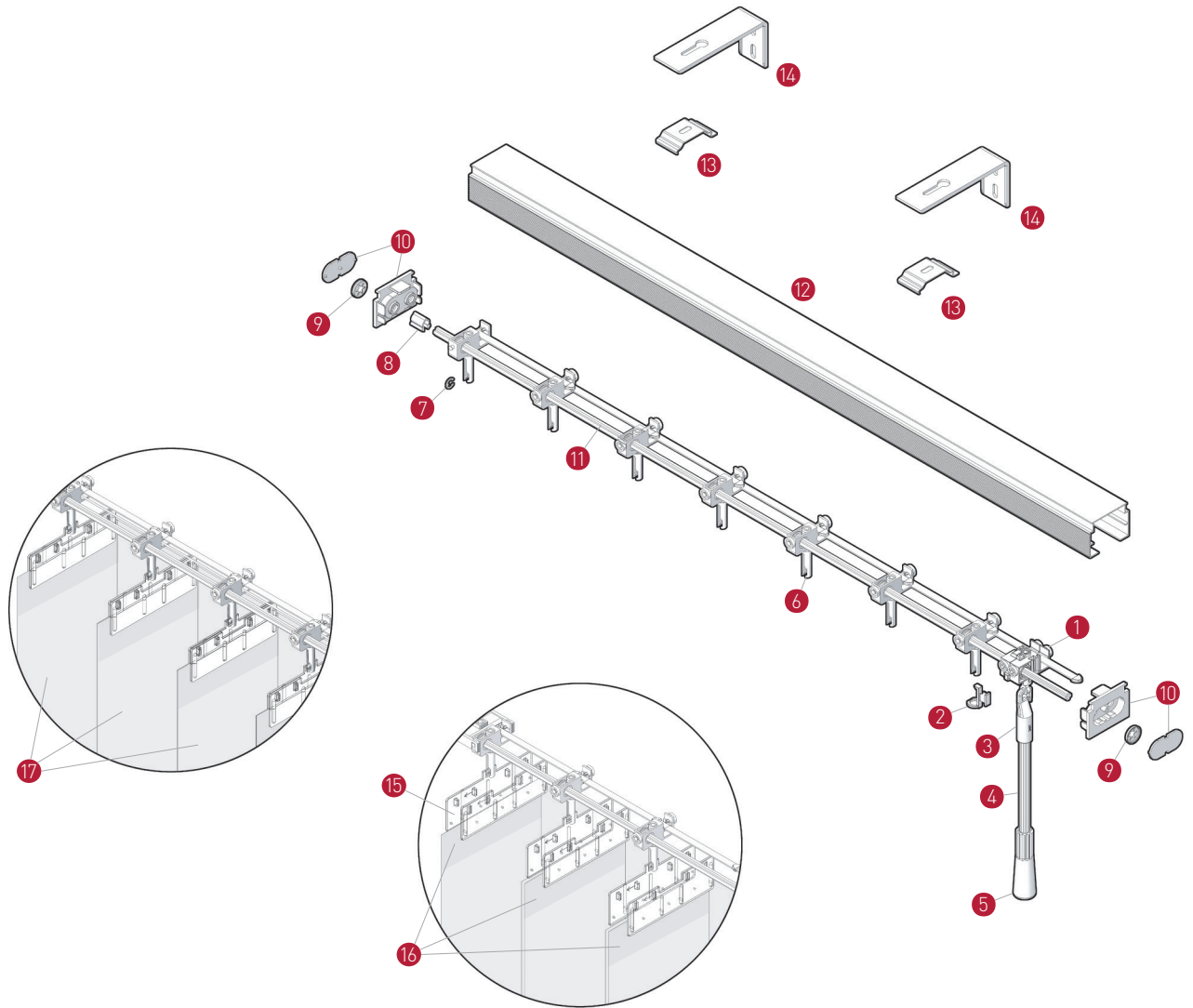
MACHINERY | MAQUINARIA

NO.	DESCRIPTION	CODE	QTY	UNIT
-	Heat Press Machine for DUNES Shades	2-159-01-00100	1	EA
-	Hot Wire Cutting Station for DUNES Shades	2-159-01-00200	1	EA
-	Flat Pliers for DUNES/Luminux Hanger Assembly	2-159-01-00300	1	EA



DUNES SHADES SYSTEM | WAND OPERATION WITH MATRIX FLAT TRACK

SCHEMATIC DIAGRAM | DESPIECE DEL SISTEMA





DUNES SHADES SYSTEM | WAND OPERATION WITH MATRIX FLAT TRACK

SCHEMATIC DIAGRAM | DESPIECE DEL SISTEMA

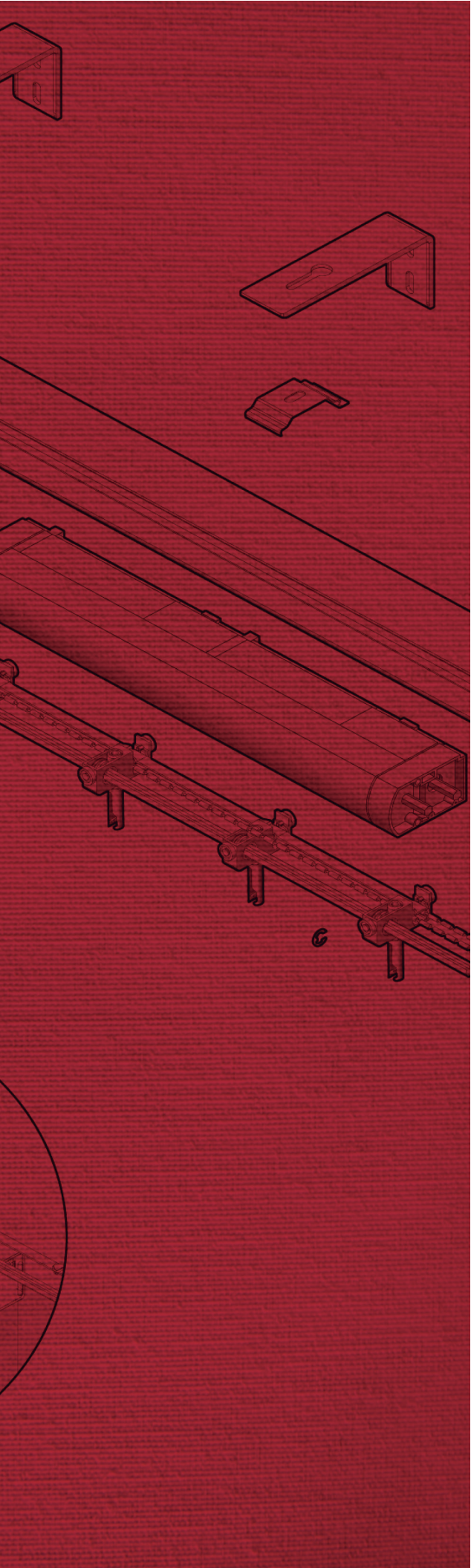
LEGEND | LEYENDA

NO.	DESCRIPTION	CODE	QTY	UNIT
1	MATRIX Control for Wand Operation	0-031-P1-00800	1	SET
2	MATRIX Connector for Strap	0-031-CA-00900	1	EA
3	Hook for Vertical Wand Control Carrier - White	0-181-CA-0260V	1	EA
4	Aluminum Wand 16' - White	0-181-CA-03000	-*	FT
5	Wand Knob - White	0-181-CA-02700	1	EA
6	MX93/MATRIX 4P Link Carrier 4 3/16" Right Side (5), Left Side (6)	0-031-CA-026LX	-*	BX
7	Open "C" Clip for 3 & 4 Prong Pinion	0-030-CA-09000	1	EA
8	1/2" Spacers (9) 3/4" Spacers (6) 1" Spacers (7)	0-030-CA-10X00	-*	EA
9	MATRIX 4 Prong Pinion Pushnut for Strap Carrier 13/64 OR MATRIX 4 Prong Pinion Pushnut for Strap Carrier 7/32	0-031-P1-00500 0-030-CA-08500	2	EA EA
10	MATRIX Flat End Cap Set for Wand Operation - White	0-031-P1-01000	2	SET
11	4P Pinion Gear Mill Finish - 19'	0-040-AL-P0210	-*	FT
12	MATRIX Aluminum Flat Track (Strap/Scissor Carrier) 16' : White (00), Silver Grey (10), Anodized (20), Ivory (30) 19' : White (01), Silver Grey (11), Anodized (21), Ivory (31)	0-040-AL-001XX	-*	FT
13	MATRIX Ceiling Mount Snap in Bracket	0-031-CA-07100	3+	EA
14	Adjustable "L" Bracket 3 3/8" to 5 3/4"	0-030-CA-06600	3+	EA
15	DUNES Luminux - Hanger Clear	0-159-CA-00300	-*	EA
16	None Woven 4 3/4" w/Heat Adhesive (Strip cut)	0-159-CA-00100	-*	EA
17	DUNES Fabric	0-000-98-XXXXX	-*	YD
-	MATRIX Magnetic Tiltrod Support for Scissor Carrier (Not shown in the diagram)	0-031-P1-00410	-*	EA

*The quantity per blind varies depending on the length or height of the blind.

MACHINERY | MAQUINARIA

NO.	DESCRIPTION	CODE	QTY	UNIT
-	Heat Press Machine for DUNES Shades	2-159-01-00100	1	EA
-	Hot Wire Cutting Station for DUNES Shades	2-159-01-00200	1	EA
-	Flat Pliers for DUNES/Luminux Hanger Assembly	2-159-01-00300	1	EA



Installation Options

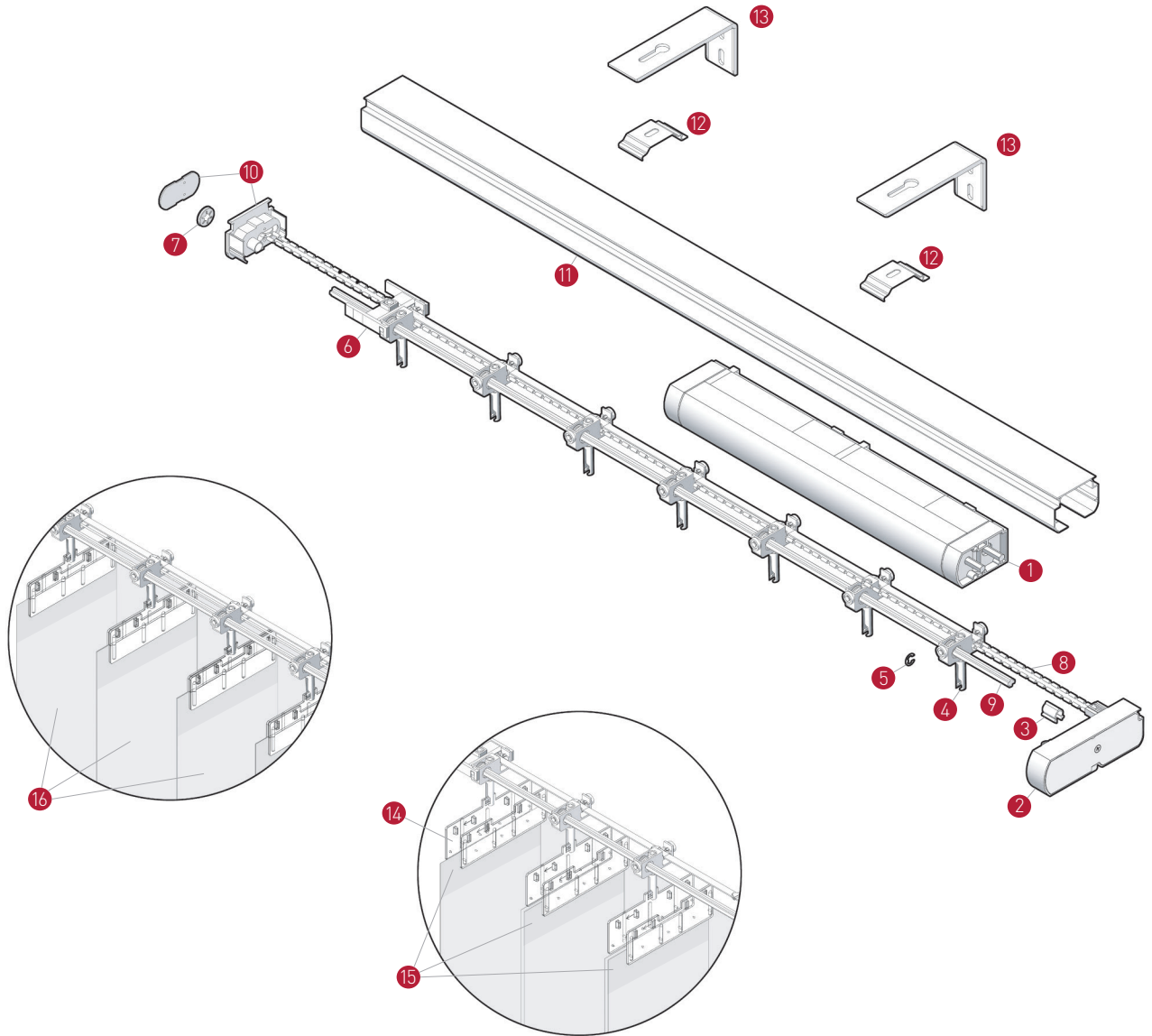
MOTORIZED OPERATION





DUNES SHADES SYSTEM | MOTOR OPERATION WITH MATRIX ELLIPSE TRACK

SCHEMATIC DIAGRAM | DESPIECE DEL SISTEMA





DUNES SHADES SYSTEM | MOTOR OPERATION WITH MATRIX ELLIPSE TRACK

SCHEMATIC DIAGRAM | DESPIECE DEL SISTEMA

LEGEND | LEYENDA

NO.	DESCRIPTION	CODE	QTY	UNIT
1	VTi® Celtic Vertical Blinds Motor - Left Side **	6-710-VB-00110	1	SET
2	Adapter Set for Vertical Blinds Motor, Left Side ***	6-710-VB-00310	1	SET
3	½" Spacers (9) ¾" Spacers (6) 1" Spacers (7)	0-030-CA-10X00	-*	EA
4	MX93/MATRIX 4P Link Carrier 4 ¾" Right Side (5), Left Side (6)	0-031-CA-026LX	-*	BOX
5	Open "C" Clip for 3 & 4 Prong Pinion	0-030-CA-09000	1	EA
6	MATRIX Cord Drive Master Carrier for Scissor Carriers OR MATRIX Cord Drive Runner for Scissor Carriers	0-031-P1-00300 0-031-P1-00310	1 1	SET EA
7	MATRIX 4 Prong Pinion Pushnut for Strap Carrier 1 5/16" OR MATRIX 4 Prong Pinion Pushnut for Strap Carrier 7/32"	0-031-P1-00500 0-030-CA-08500	1 1	EA EA
8	Internal Transportation Chain - White	6-710-CH-00000	-*	FT
9	4P Pinion Gear Mill Finish - 19'	0-040-AL-P0210	-*	FT
10	MATRIX End Cap for Rounded Track, Right Side - White ****	0-031-P1-00260	1	SET
11	MATRIX Aluminum Ellipse Track (Strap or Scissor Carriers) 16' : White (00), Silver Grey (10), Anodized (20), Ivory (30) 19' : White (01), Silver Grey (11), Anodized (21), Ivory (31)	0-040-AL-002XX	-*	FT
12	MATRIX Ceiling Mount Snap in Bracket	0-031-CA-07100	3+	EA
13	Adjustable "L" Bracket 3 3/8" to 5 3/4"	0-030-CA-06600	3+	EA
14	DUNES Luminux - Hanger Clear	0-159-CA-00300	-*	EA
15	None Woven 4 3/4" w/Heat Adhesive (Strip cut)	0-159-CA-00100	-*	EA
16	DUNES Fabric	0-000-98-XXXXX	-*	YD
-	MATRIX Magnetic Tiltrod Support for Scissor Carrier (Not shown in the diagram)	0-031-P1-00410	-*	EA

*The quantity per blind varies depending on the length or height of the blind | **For right side 6-710-VB-00120 | ***For right side 6-710-VB-00320 | ****For left side 0-031-P1-00270

MACHINERY | MAQUINARIA

NO.	DESCRIPTION	CODE	QTY	UNIT
-	Heat Press Machine for DUNES Shades	2-159-01-00100	1	EA
-	Hot Wire Cutting Station for DUNES Shades	2-159-01-00200	1	EA
-	Flat Pliers for DUNES/Luminux Hanger Assembly	2-159-01-00300	1	EA



VERTILUX

IDEAS FOR YOUR SPACE

1.800.356.8837

sales@vertilux.com

vertilux.com