



VERTILUX

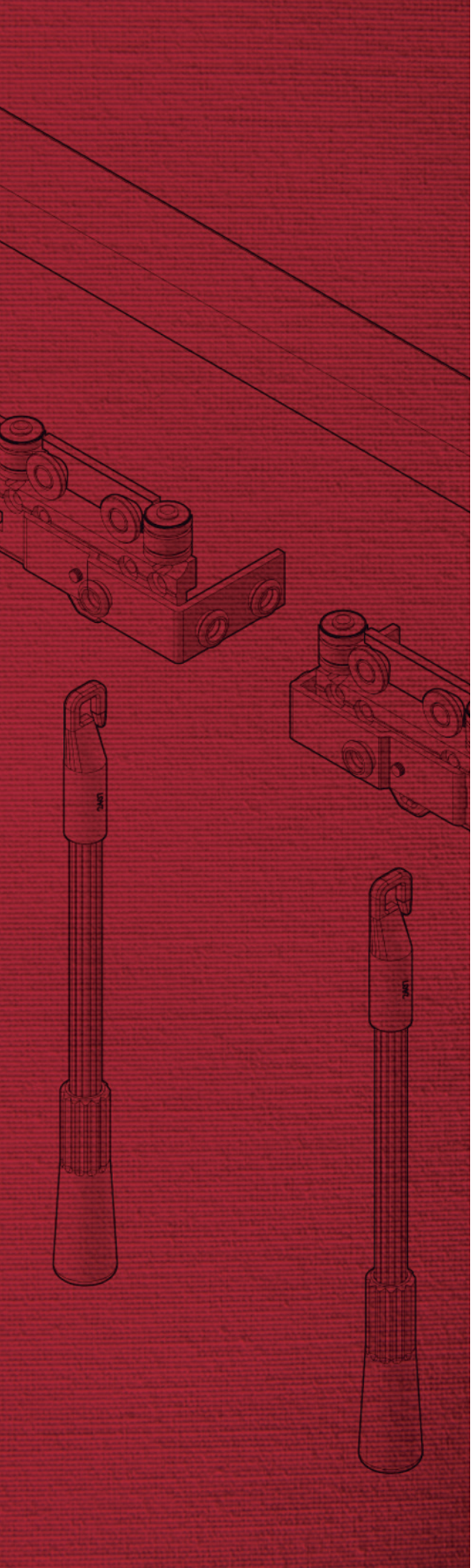
IDEAS FOR YOUR SPACE

DRAPES SYSTEM





Drapes
SYSTEM



Installation Options

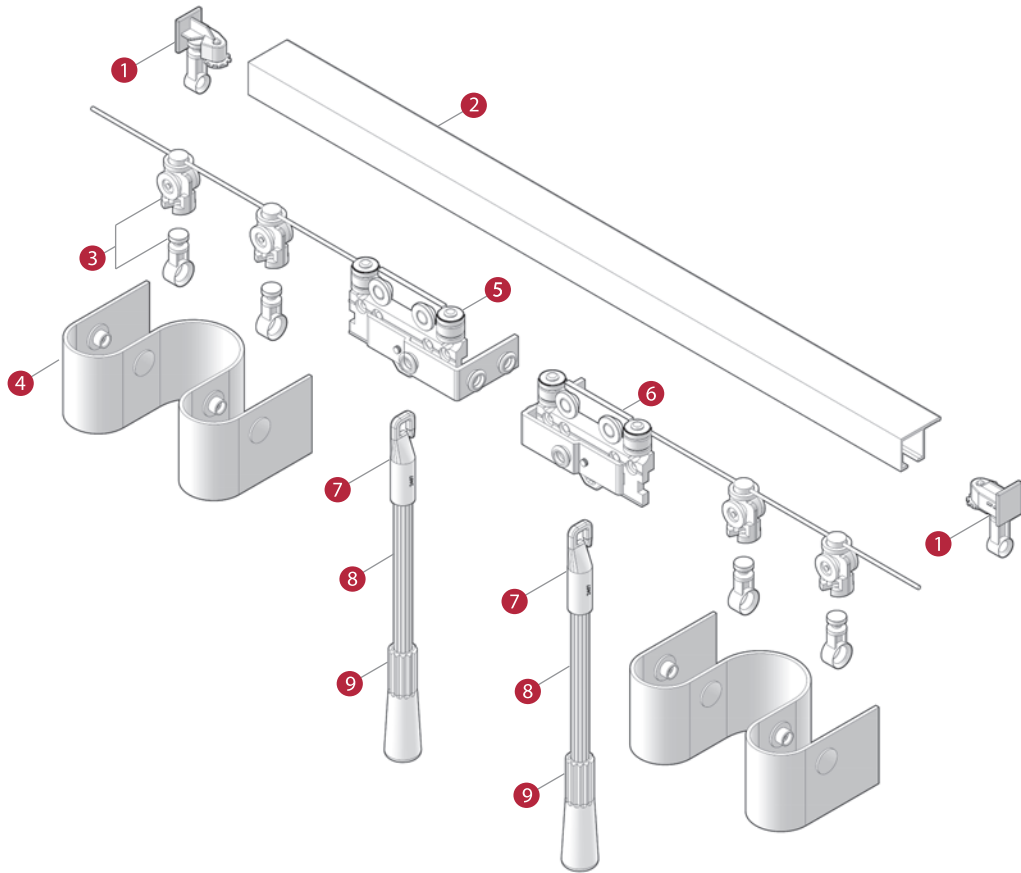
CORDLESS OPERATION





CORDLESS FULL WAVE DRAPERY RIPPLE FOLD | CENTER OPEN WAND OPERATION | FLANGED TRACK

SCHEMATIC DIAGRAM | DESPIECE DEL SISTEMA



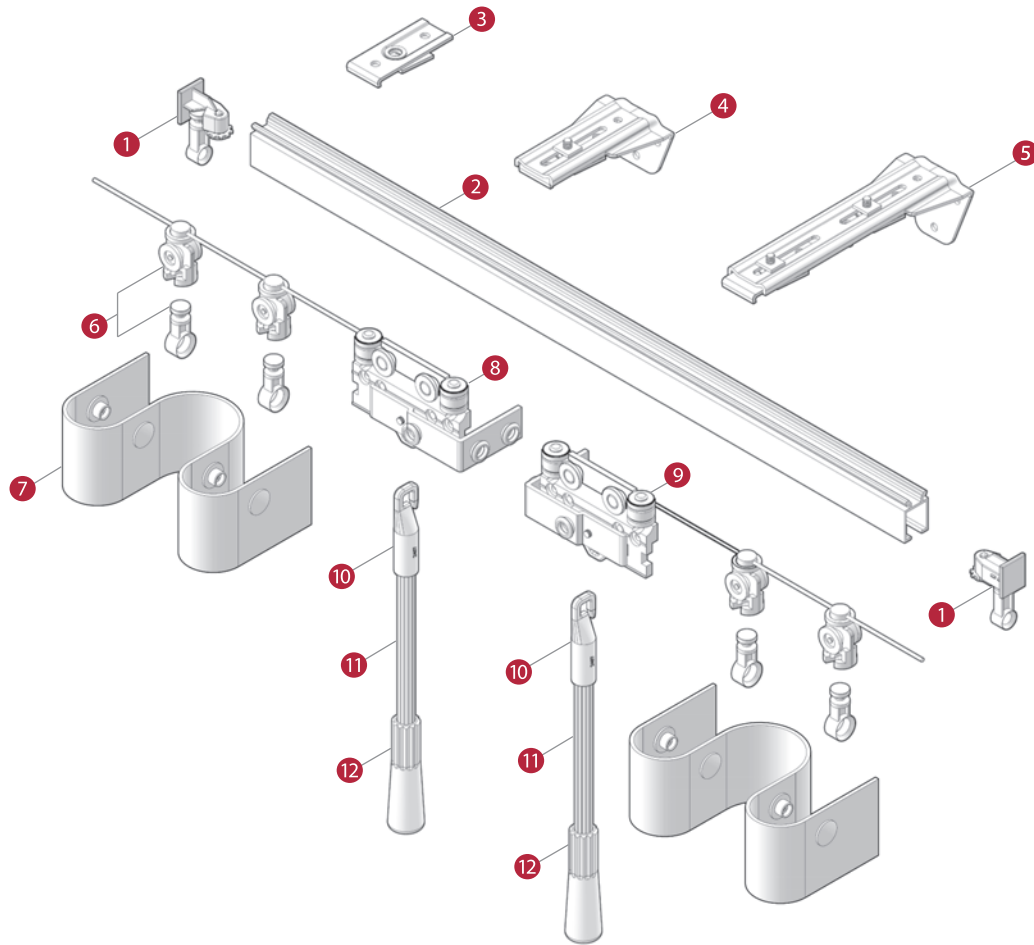
NO.	DESCRIPTION	CODE	QTY
1	Plastic End Cap for Ripple Fold	0-163-CA-0514F	2
2	Aluminum Flanged Track	0-163-CA-0513F	-*
3	Ripple Fold Carriers	6-700-DM-0001X	-*
4	Snap Tape For Ripple Fold	6-700-DM-00017	-*
5	Master Carrier for Full Wave Ripple Fold - Left	0-163-CA-0509F	1
6	Master Carrier for Full Wave Ripple Fold - Right	0-163-CA-0508F	1
7	Wand Hook	0-181-CA-0260V	2
8	Aluminum Wand	0-181-CA-03000	2
9	Wand Knob	0-181-CA-02700	2

*The quantity per shade varies depending on the width of the shade



CORDLESS FULL WAVE DRAPERY RIPPLE FOLD | CENTER OPEN WAND OPERATION | STANDARD TRACK

SCHEMATIC DIAGRAM | DESPIECE DEL SISTEMA



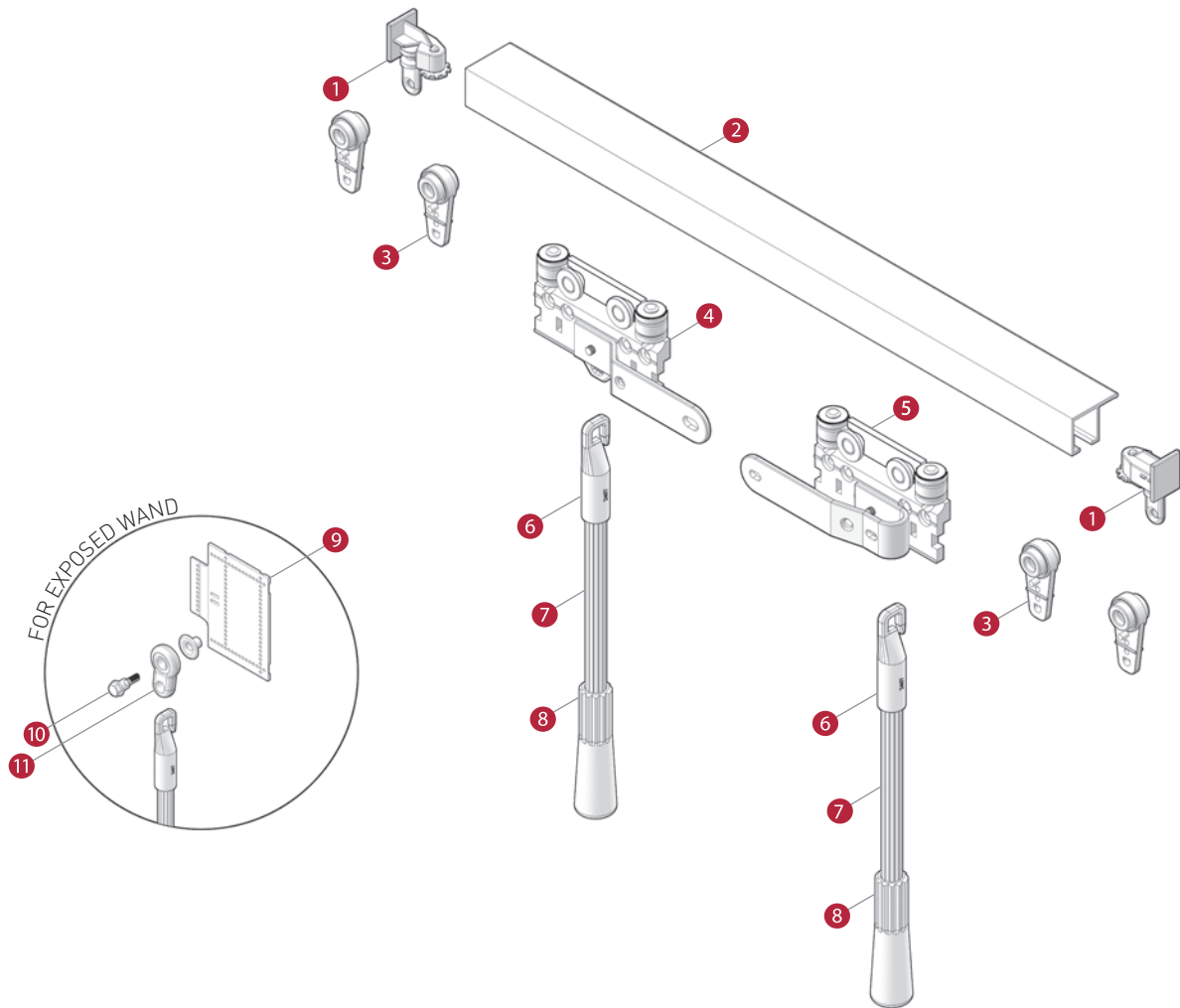
NO.	DESCRIPTION	CODE	QTY
1	Plastic End Cap for Ripple Fold	0-163-CA-0514F	2
2	Drapery Aluminum Standard Track	0-163-CA-0507F	-*
3	Ceiling Mount Bracket	0-163-CA-0505F	-*
4	"L" Wall Mount Single Bracket	0-163-CA-0506F	-*
5	"L" Wall Mount Double Bracket 5" Projection	0-163-CA-0515F	-*
6	Ripple Fold Carriers	6-700-DM-0001X	-*
7	Snap Tape For Ripple Fold	6-700-DM-00017	-*
8	Master Carrier for Full Wave Ripple Fold - Left	0-163-CA-0509F	1
9	Master Carrier for Full Wave Ripple Fold - Right	0-163-CA-0508F	1
10	Wand Hook	0-181-CA-0260V	2
11	Aluminum Wand	0-181-CA-03000	2
12	Wand Knob	0-181-CA-02700	2

*The quantity per shade varies depending on the width of the shade



CORDLESS PINCH PLEAT DRAPERY | CENTER OPEN WAND OPERATION | FLANGED TRACK

SCHEMATIC DIAGRAM | DESPIECE DEL SISTEMA



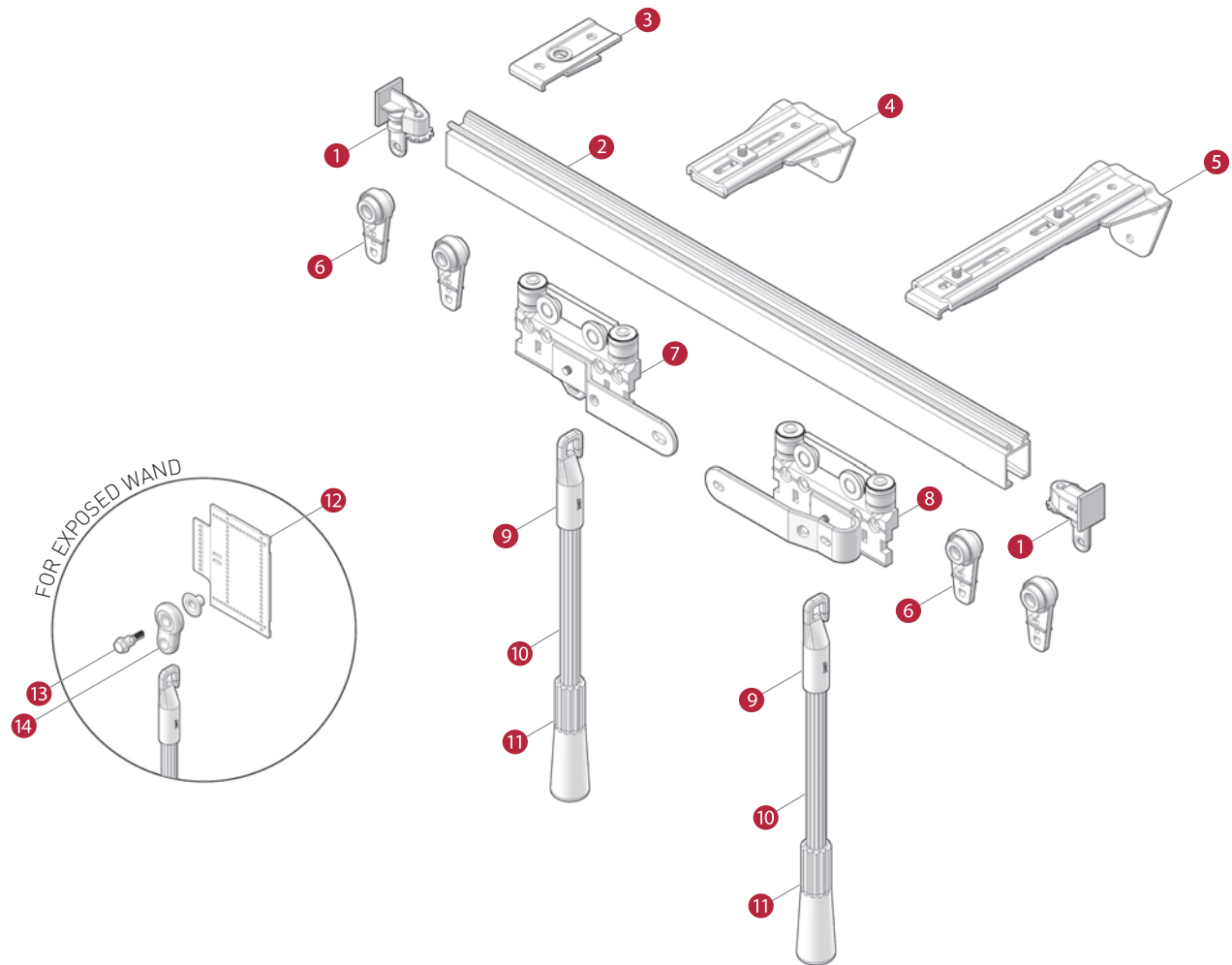
NO.	DESCRIPTION	CODE	QTY
1	Plastic End Cap for Pinch Pleat	0-163-CA-0500F	2
2	Aluminum Flanged Track	0-163-CA-0513F	-*
3	Idle Carrier for Pinch Pleat	0-163-CA-0501F	-*
4	Master Carrier for Pinch Pleat - Left	0-163-CA-0502F	1
5	Master Carrier for Pinch Pleat - Right	0-163-CA-0503F	1
6	Wand Hook	0-181-CA-0260V	2
7	Aluminum Wand	0-181-CA-03000	2
8	Wand Knob	0-181-CA-02700	2
9	Stiffener with Grommet - One Way	0-163-CA-STIF1	2
10	Screw for Wand Adapter	0-163-CA-STIF2	2
11	Plastic Wand Adapter	0-163-CA-STIF3	2

*The quantity per shade varies depending on the width of the shade



CORDLESS PINCH PLEAT DRAPERY | CENTER OPEN WAND OPERATION | STANDARD TRACK

SCHEMATIC DIAGRAM | DESPIECE DEL SISTEMA



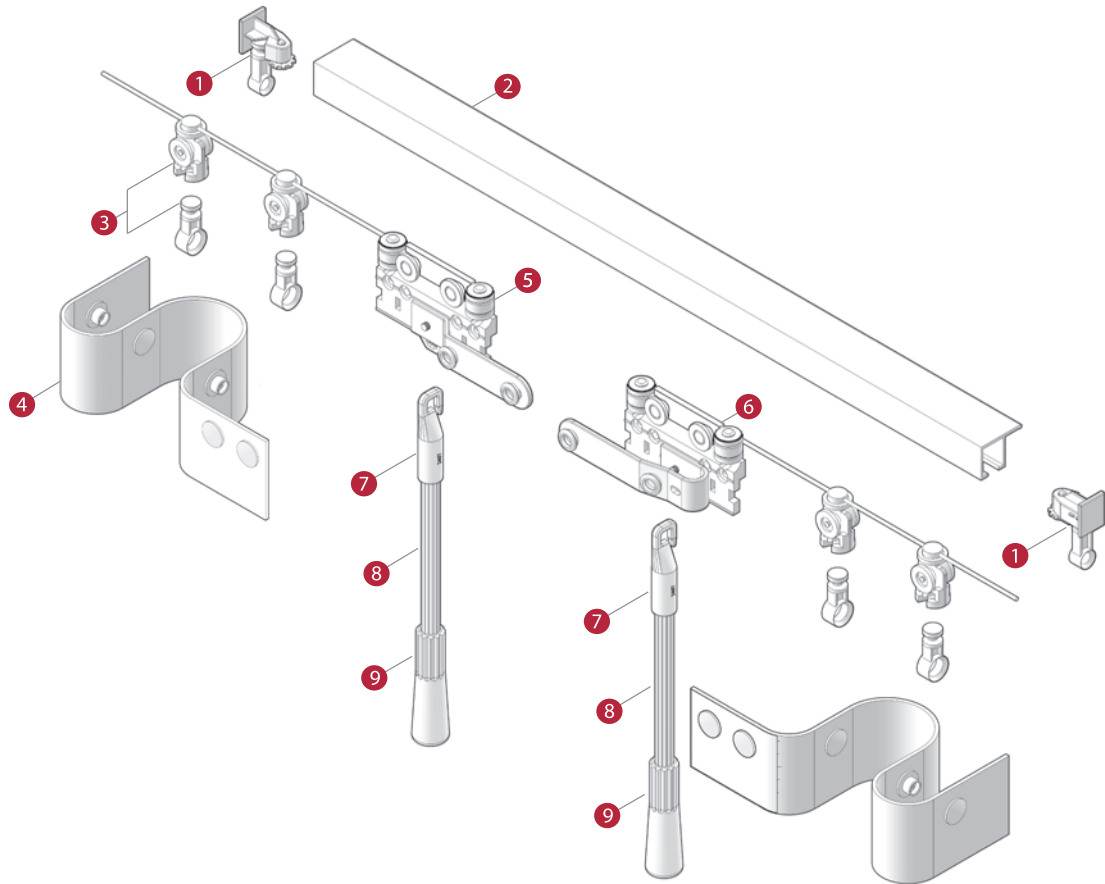
NO.	DESCRIPTION	CODE	QTY
1	Plastic End Cap for Pinch Pleat	0-163-CA-0500F	2
2	Aluminum Standard Track	0-163-CA-0507F	-*
3	Ceiling Mount Bracket	0-163-CA-0505F	-*
4	"L" Wall Mount Single Bracket	0-163-CA-0506F	-*
5	"L" Wall Mount Double Bracket 5" Projection	0-163-CA-0515F	-*
6	Idle Carrier for Pinch Pleat	0-163-CA-0501F	-*
7	Master Carrier for Pinch Pleat - Left	0-163-CA-0502F	1
8	Master Carrier for Pinch Pleat - Right	0-163-CA-0503F	1
9	Wand Hook	0-181-CA-0260V	2
10	Aluminum Wand	0-181-CA-03000	2
11	Wand Knob	0-181-CA-02700	2
12	Stiffener with Grommet - One Way	0-163-CA-STIF1	2
13	Screw for Wand Adapter	0-163-CA-STIF2	2
14	Plastic Wand Adapter	0-163-CA-STIF3	2

*The quantity per shade varies depending on the width of the shade



CORDLESS RIPPLE FOLD DRAPERY | CENTER OPEN WAND OPERATION | FLANGED TRACK

SCHEMATIC DIAGRAM | DESPIECE DEL SISTEMA



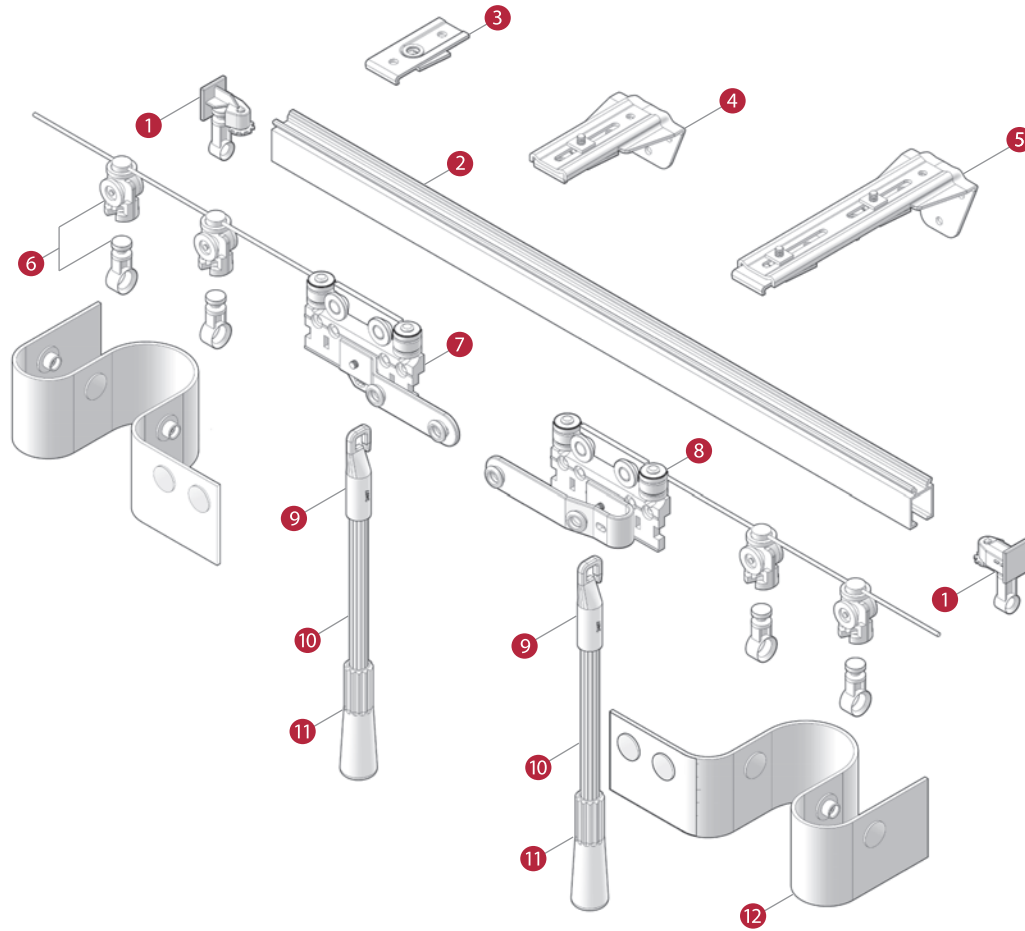
NO.	DESCRIPTION	CODE	QTY
1	Plastic End Cap for Ripple Fold	0-163-CA-0514F	2
2	Aluminum Flanged Track	0-163-CA-0513F	-*
3	Ripple Fold Carriers	6-700-DM-0001X	-*
4	Snap Tape For Ripple Fold	6-700-DM-00017	-*
5	Hidden Master Carrier for Ripple Fold - Left	0-163-CA-0511F	1
6	Hidden Master Carrier for Ripple Fold - Right	0-163-CA-0512F	1
7	Wand Hook	0-181-CA-0260V	2
8	Aluminum Wand	0-181-CA-03000	2
9	Wand Knob	0-181-CA-02700	2

*The quantity per shade varies depending on the width of the shade



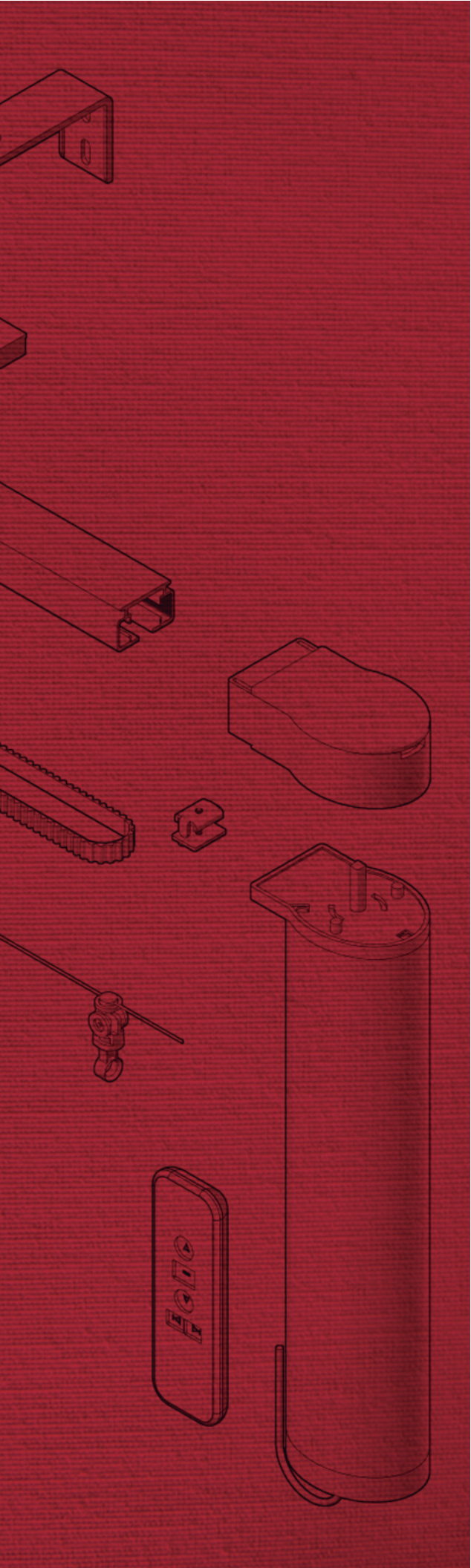
CORDLESS RIPPLE FOLD DRAPERY | CENTER OPEN WAND OPERATION | STANDARD TRACK

SCHEMATIC DIAGRAM | DESPIECE DEL SISTEMA



NO.	DESCRIPTION	CODE	QTY
1	Plastic End Cap for Ripple Fold	0-163-CA-0514F	2
2	Aluminum Standard Track	0-163-CA-0507F	-*
3	Ceiling Mount Bracket	0-163-CA-0505F	-*
4	"L" Wall Mount Single Bracket	0-163-CA-0506F	-*
5	"L" Wall Mount Double Bracket 5" Projection	0-163-CA-0515F	-*
6	Ripple Fold Carriers	6-700-DM-0001X	-*
7	Hidden Master Carrier for Ripple Fold - Left	0-163-CA-0511F	1
8	Hidden Master Carrier for Ripple Fold - Right	0-163-CA-0512F	1
9	Wand Hook	0-181-CA-0260V	2
10	Aluminum Wand	0-181-CA-03000	2
11	Wand Knob	0-181-CA-02700	2
12	Snap Tape For Ripple Fold	6-700-DM-00017	-*

*The quantity per shade varies depending on the width of the shade



Installation Options

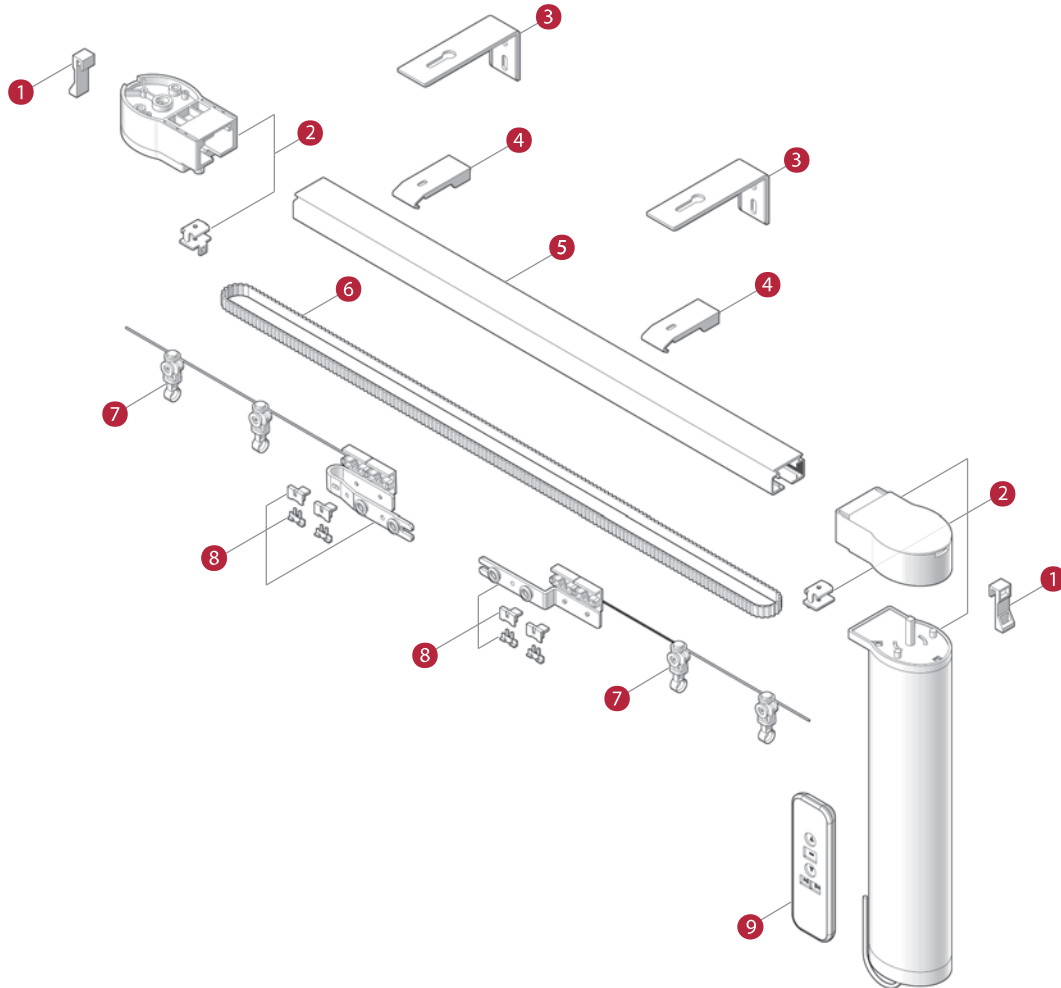
MOTORIZED OPERATION





RIPPLE FOLD DRAPERY CENTER OPEN | MOTORIZED

SCHEMATIC DIAGRAM | DESPIECE DEL SISTEMA



NO.	DESCRIPTION	CODE	QTY
1	Plastic Clip	6-700-DM-00011	2
2	VTi® Celtic Drapery Motor	6-700-DM-00073	1
3	"L" Wall Mount Bracket	0-030-CA-06600	-*
4	Ceiling Clip	6-700-DM-00010	-*
5	Track	6-700-DM-00009	-*
6	Interior Belt	6-700-DM-00005	-*
7	Ripple Fold Carriers	6-700-DM-0001X	-*
8	Master Carrier For Ripple Fold	6-700-DM-00018	1
9	Remote Control	6-700-AT-C1R01	1*

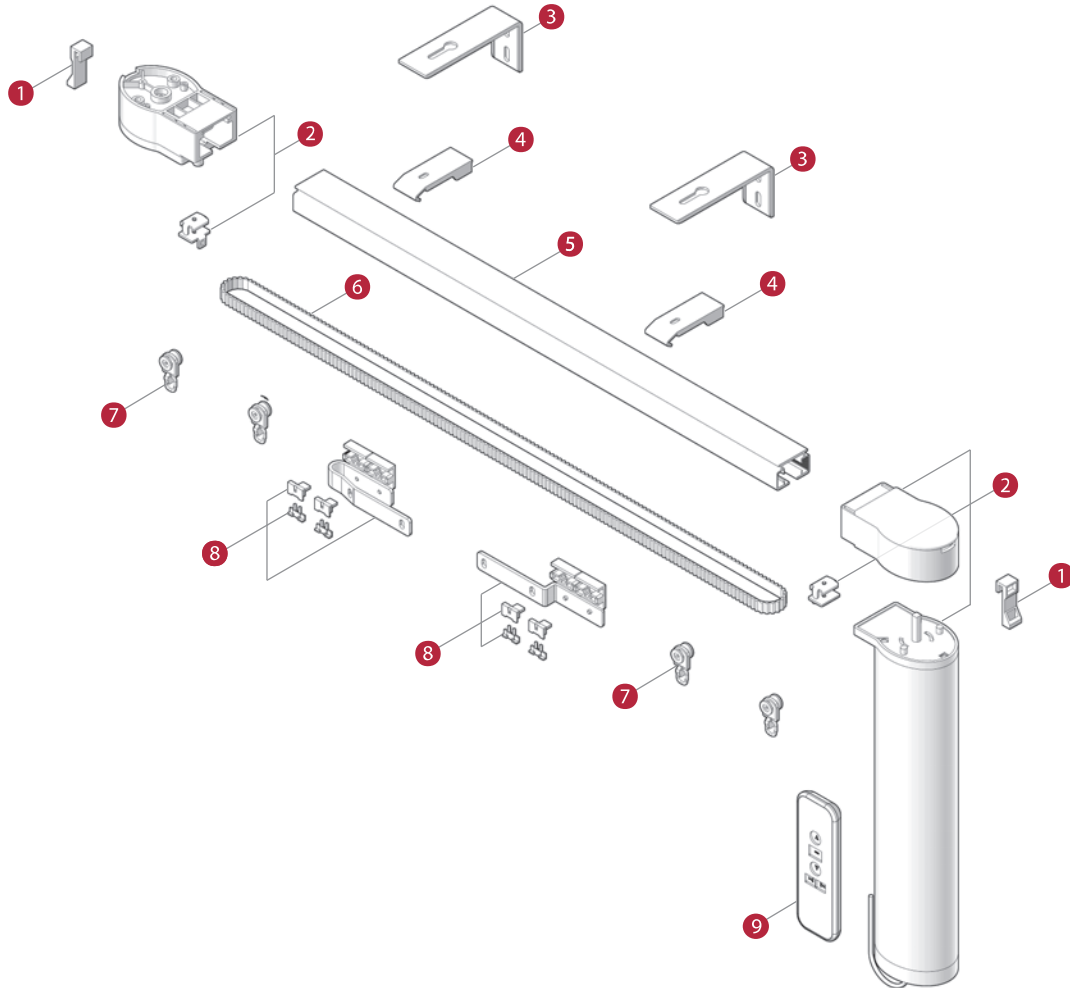
*The quantity per shade varies depending on the width of the shade

*Other options also available



PINCH PLEAT DRAPERY CENTER OPEN | MOTORIZED

SCHEMATIC DIAGRAM | DESPIECE DEL SISTEMA



NO.	DESCRIPTION	CODE	QTY
1	Plastic Clip	6-700-DM-00011	2
2	VTi® Celtic Drapery Motor	6-700-DM-00073	1
3	"L" Wall Mount Bracket	0-030-CA-06600	-*
4	Ceiling Clip	6-700-DM-00010	-*
5	Track	6-700-DM-00009	-*
6	Interior Belt	6-700-DM-00005	-*
7	Pinch Pleat Carriers	6-700-DM-0001X	-*
8	Master Carrier For Pinch Pleat	6-700-DM-00018	1
9	Remote Control	6-700-AT-C1R01	1*

*The quantity per shade varies depending on the width of the shade

*Other options also available



VERTILUX

IDEAS FOR YOUR SPACE

1.800.356.8837

sales@vertilux.com

vertilux.com