



VERTILUX

IDEAS FOR YOUR SPACE

PERGOLAS 80 x 40 SYSTEM

PERGOLAS





PERGOLAS 80 x 40 SYSTEM

TECHNICAL SHEET | FICHA TÉCNICA



FEATURES

The Vertilux Pergolas System is perfect to improve your terrace at all levels and increase the amount of time you can spend outside. They are highly aesthetic and provide shade and comfort.

They offer great options in terms of functionality preserving a large space from the weather conditions while being the perfect spot for gatherings.

APPLICATIONS



Pergolas

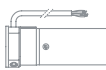


Outdoor Use

OPERATION OPTIONS



Manual



VTi® Celtic Motor



PERGOLAS 80 x 40 SYSTEM

TECHNICAL SHEET | FICHA TÉCNICA

TECHNICAL SPECS

Maximum Width	16.4' 5 m	Operation Option	Manual or Motorized
Maximum Height	16.4' 5 m	Surface Coverage	25 m ² per unit
Maximum Depth	16.4' 5 m	Minimum Torque for Motorization	20 Nm
Mounting Options	Classic Free Standing, Free Standing, Wall-supported Porch, Wall-supported Pergola & Between Walls		

WIND RESISTANCE

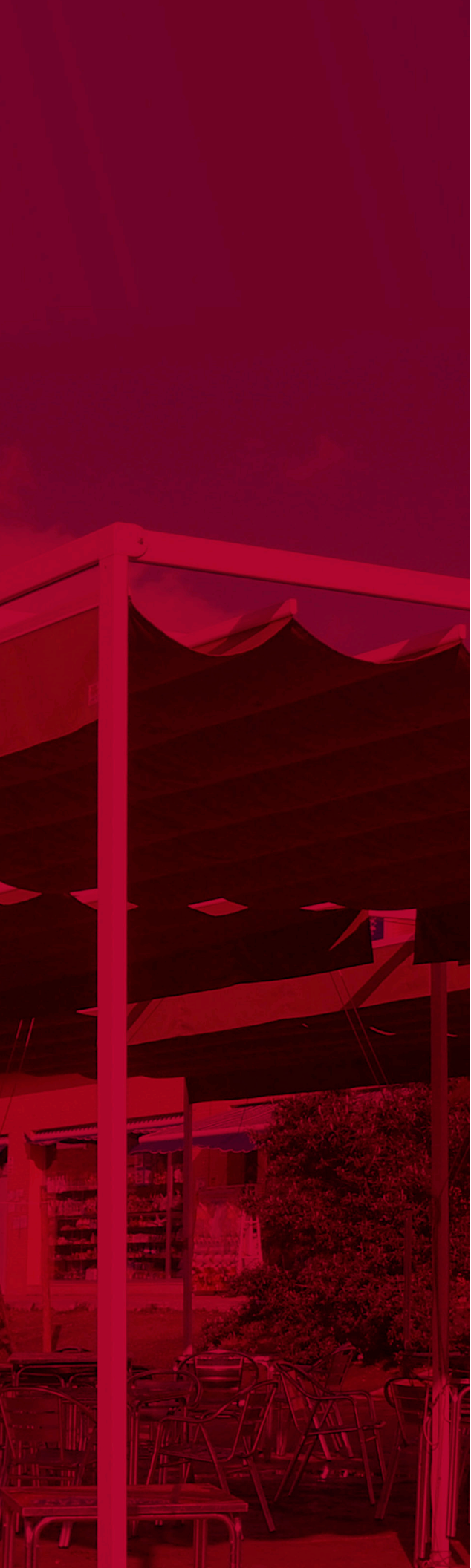
HEIGHT	WIDTH						
	2.0 m	2.5 m	3.0 m	3.5 m	4.0 m	4.5 m	5.0 m
2.0 m	3	3	3	3	3	3	2
2.5 m	3	3	3	3	3	3	2
3.0 m	3	3	3	3	3	2	2
3.5 m	3	3	3	2	2	2	2
4.0 m	3	3	2	2	2	1	1
4.5 m	3	3	2	2	1	1	1
5.0 m	3	2	2	1	1	1	1

CLASS 1	28 km/h
CLASS 2	38 km/h
CLASS 3	49 km/h

*Wind resistance and safety values (according to standard UNE-EN 13561:2015).

MINIMUM TORQUE FOR MOTORIZATION

	PROJECTION	
	5 m	10 m
Ø 70 mm Tube	20 Nm	20 Nm



PERGOLAS 80 x 40 SYSTEM

INSTALLATION OPTIONS

OPCIONES DE INSTALACIÓN



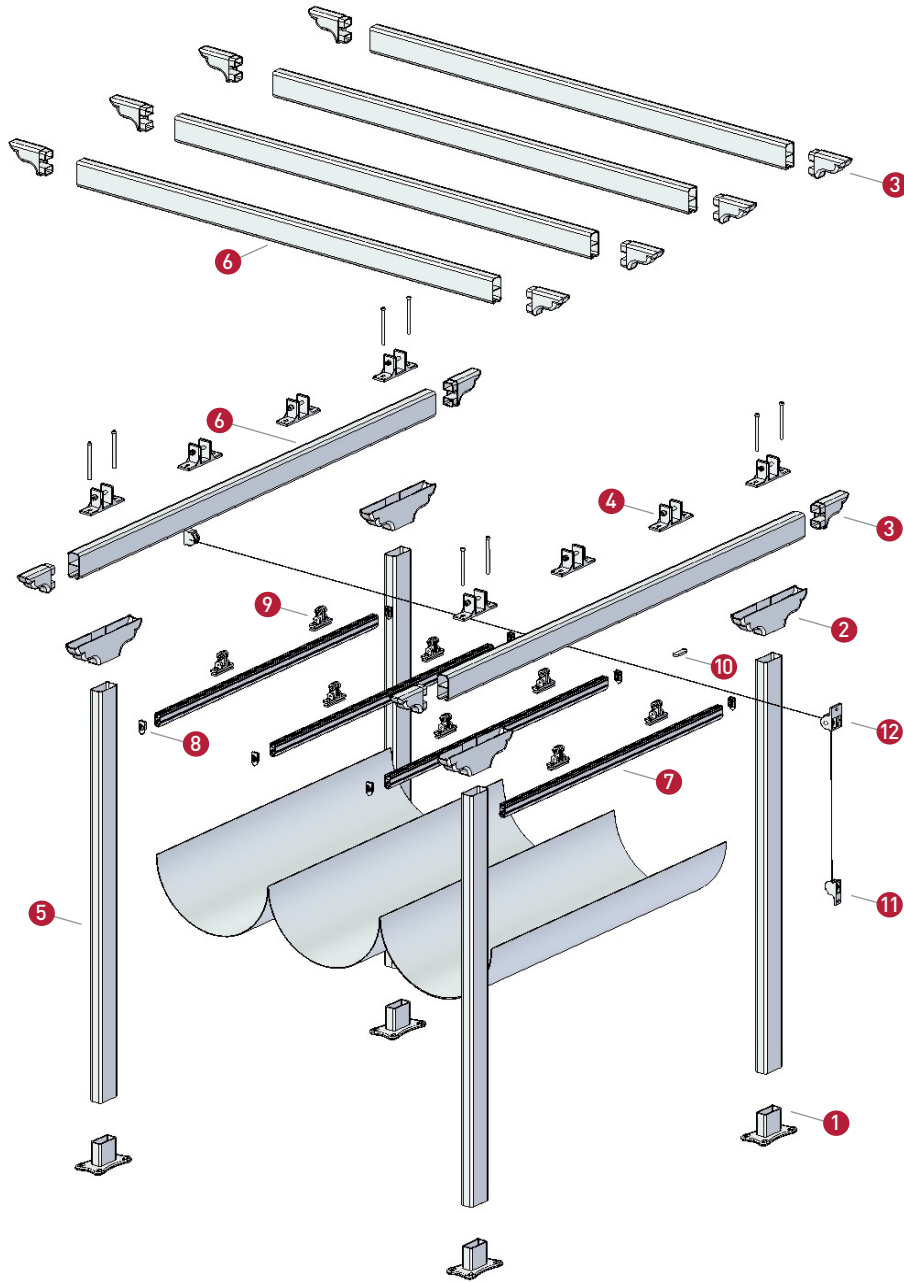


PERGOLAS 80 X 40 SYSTEM | CLASSIC FREE STANDING
 SCHEMATIC DIAGRAM | DESPIECE DEL SISTEMA

MAXIMUM
SHADE SIZE

197"
5 m

197"
5 m





PERGOLAS 80 X 40 SYSTEM | CLASSIC FREE STANDING

SCHEMATIC DIAGRAM | DESPIECE DEL SISTEMA

LEGEND | LEYENDA

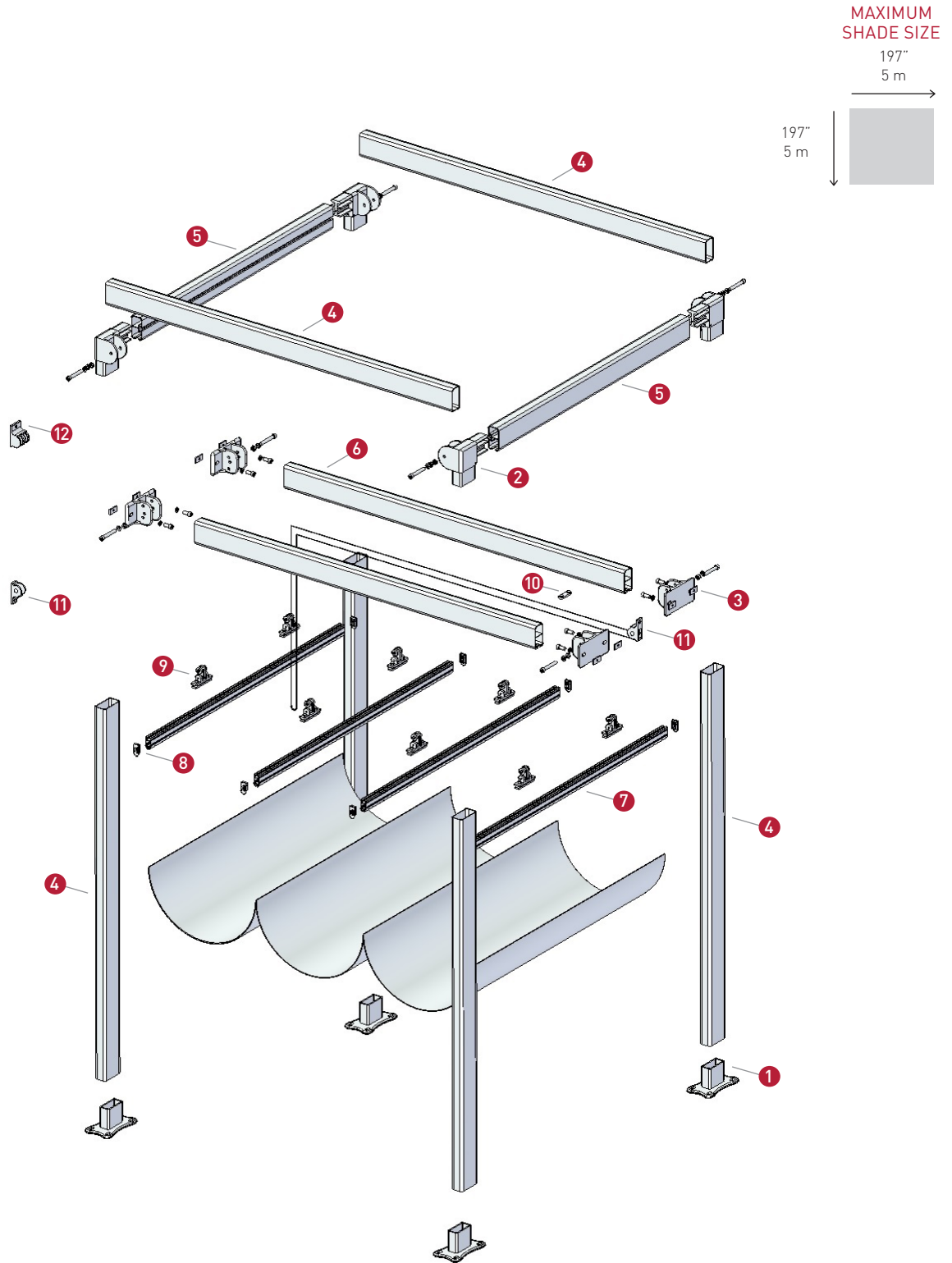
NO.	DESCRIPTION	CODE	QTY	UNIT
1	Flat Awning 80x40 Alum. Ground Support - White 4 holes (63), 2 holes (93), Corner (94)	0-140-07-10XX1	4	EA
2	Flat Awning 80x40 Alum. Moulding Support - White	0-140-07-11041	4	EA
3	Flat Awning 80x40 Alum. Moulding Terminal - White	0-140-07-11021	12	EA
4	Flat Awning 80x40 Alum. Profile Support - White	0-140-07-10651	8	EA
5	Flat Awning 80x40 Alum. Profile 16.4' 5 m - White	0-140-07-13051	-*	FT
6	Flat Awning 80x40 Alum. Guide Profile 16.4' 5 m - White	0-140-07-13151	-*	FT
7	Flat Awning 80x40 Alum. Sight Profile 16.4' 5 m - White	0-140-07-12255	-*	FT
8	Awning 80x40 Sight Profile Plastic End Cap - White	0-140-07-10011	8	EA
9	Mobile Pulley- White	0-140-07-10281	8	EA
10	Flat Cord Attachment - White	0-140-07-10911	1	EA
11	Single Cord Reel - White	0-140-07-10201	2	EA
12	Double Cord Reel - White	0-140-07-10211	1	EA

*The quantity varies depending on the size of the Pergolas.



PERGOLAS 80 X 40 SYSTEM | FREE STANDING SYSTEM

SCHEMATIC DIAGRAM | DESPIECE DEL SISTEMA





PERGOLAS 80 X 40 SYSTEM | FREE STANDING SYSTEM

SCHEMATIC DIAGRAM | DESPIECE DEL SISTEMA

LEGEND | LEYENDA

NO.	DESCRIPTION	CODE	QTY	UNIT
1	Flat Awning 80x40 Alum. Ground Support - White 4 holes (63), 2 holes (93), Corner (94)	0-140-07-10XX1	4	EA
2	Flat Awning 80x40 Alum. Corner Support Set - White	0-140-07-11211	2	SET
3	Flat Awning 80x40 Alum. Guide Support - White	0-140-07-10611	4	EA
4	Flat Awning 80x40 Alum. Profile 16.4' 5 m - White	0-140-07-13051	-*	FT
5	Flat Awning 80x40 Alum. Stringer Guide Profile 16.4' 5 m	0-140-07-13551	-*	FT
6	Flat Awning 80x40 Alum. Guide Profile 16.4' 5 m - White	0-140-07-13151	-*	FT
7	Flat Awning 80x40 Alum. Sight Profile 16.4' 5 m - White	0-140-07-12255	-*	FT
8	Awning 80x40 Sight Profile Plastic End Cap - White	0-140-07-10011	8	EA
9	Mobile Pulley- White	0-140-07-10281	8	EA
10	Flat Cord Attachment - White	0-140-07-10911	1	EA
11	Single Cord Reel - White	0-140-07-10201	2	EA
12	Double Cord Reel - White	0-140-07-10211	1	EA

*The quantity varies depending on the size of the Pergolas.



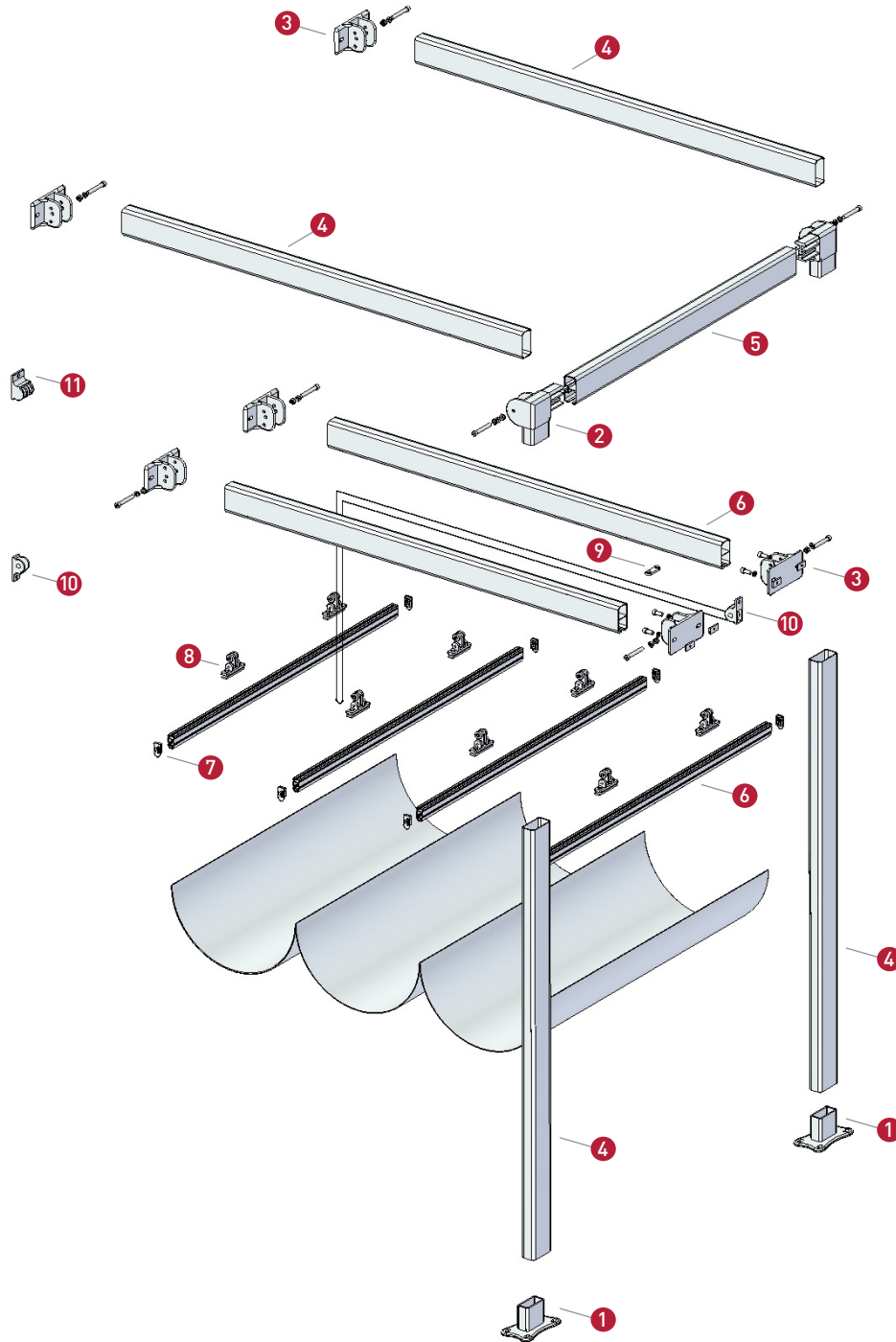
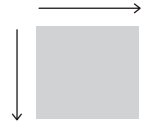
PERGOLAS 80 X 40 SYSTEM | WALL-SUPPORTED PORCH

SCHEMATIC DIAGRAM | DESPIECE DEL SISTEMA

MAXIMUM
SHADE SIZE

197"
5 m

197"
5 m





PERGOLAS 80 X 40 SYSTEM | WALL-SUPPORTED PORCH

SCHEMATIC DIAGRAM | DESPIECE DEL SISTEMA

LEGEND | LEYENDA

NO.	DESCRIPTION	CODE	QTY	UNIT
1	Flat Awning 80x40 Alum. Ground Support - White 4 holes (63), 2 holes (93), Corner (94)	0-140-07-10XX1	2	EA
2	Flat Awning 80x40 Alum. Corner Support Set - White	0-140-07-11211	1	SET
3	Flat Awning 80x40 Alum. Guide Support - White	0-140-07-10611	6	EA
4	Flat Awning 80x40 Alum. Profile 16.4' 5 m - White	0-140-07-13051	-*	FT
5	Flat Awning 80x40 Alum. Stringer Guide Profile 16.4' 5 m	0-140-07-13551	-*	FT
6	Flat Awning 80x40 Alum. Guide Profile 16.4' 5 m - White	0-140-07-13151	-*	FT
7	Awning 80x40 Sight Profile Plastic End Cap - White	0-140-07-10011	8	EA
8	Mobile Pulley- White	0-140-07-10281	8	EA
9	Flat Cord Attachment - White	0-140-07-10911	1	EA
10	Single Cord Reel - White	0-140-07-10201	2	EA
11	Double Cord Reel - White	0-140-07-10211	1	EA

*The quantity varies depending on the size of the Pergolas.



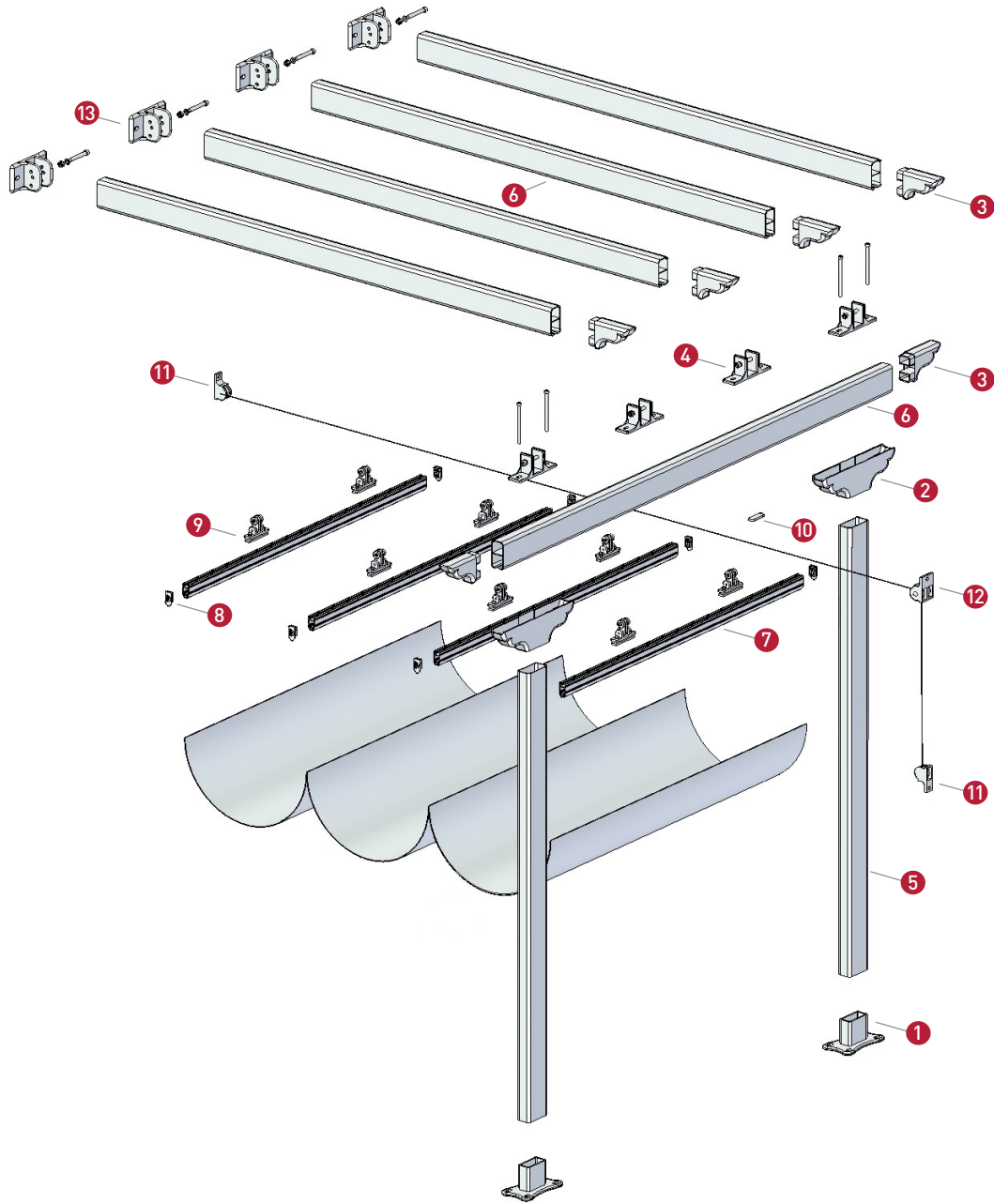
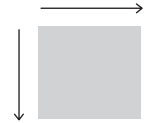
PERGOLAS 80 X 40 SYSTEM | WALL-SUPPORTED

SCHEMATIC DIAGRAM | DESPIECE DEL SISTEMA

MAXIMUM
SHADE SIZE

197"
5 m

197"
5 m





PERGOLAS 80 X 40 SYSTEM | WALL-SUPPORTED

SCHEMATIC DIAGRAM | DESPIECE DEL SISTEMA

LEGEND | LEYENDA

NO.	DESCRIPTION	CODE	QTY	UNIT
1	Flat Awning 80x40 Alum. Ground Support - White 4 holes (63), 2 holes (93), Corner (94)	0-140-07-10XX1	2	EA
2	Flat Awning 80x40 Alum. Moulding Support, White	0-140-07-11041	2	EA
3	Flat Awning 80x40 Alum. Moulding Terminal, White	0-140-07-11021	6	EA
4	Flat Awning 80x40 Alum. Profile Support - White	0-140-07-10651	4	EA
5	Flat Awning 80x40 Alum. Profile 16.4' 5 m - White	0-140-07-13051	-*	FT
6	Flat Awning 80x40 Alum. Guide Profile 16.4' 5 m- White	0-140-07-13151	-*	FT
7	Flat Awning 80x40 Alum. Sight Profile 16.4' 5 m - White	0-140-07-12255	-*	FT
8	Awning 80x40 Sight Profile Plastic End Cap - White	0-140-07-10011	8	EA
9	Mobile Pulley- White	0-140-07-10281	8	EA
10	Flat Cord Attachment - White	0-140-07-10911	1	EA
11	Single Cord Reel - White	0-140-07-10201	2	EA
12	Double Cord Reel - White	0-140-07-10211	1	EA
13	Flat Awning 80x40 Alum. Guide Support - White	0-140-07-10611	4	EA

*The quantity varies depending on the size of the Pergolas.



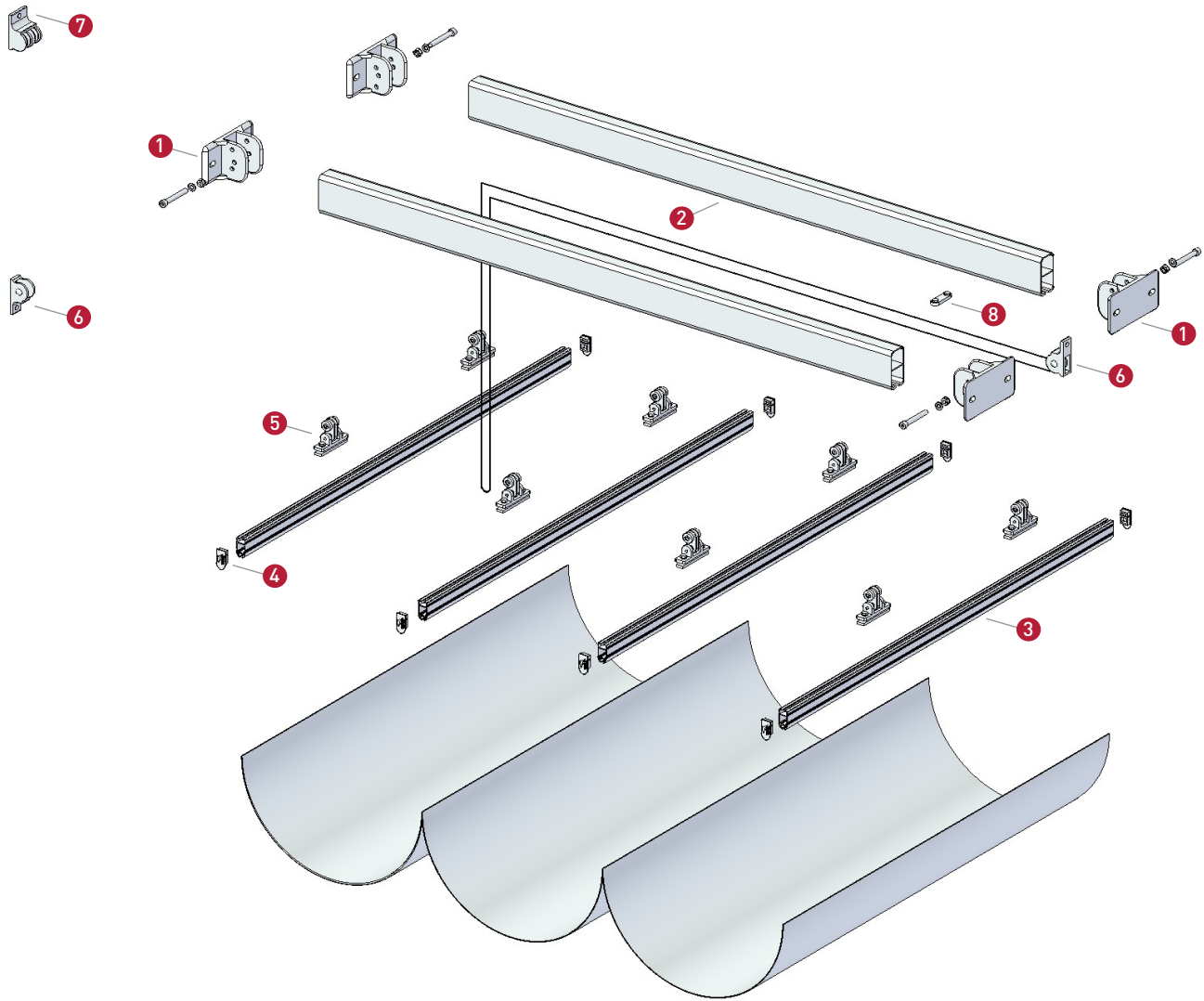
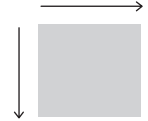
PERGOLAS 80 X 40 SYSTEM | BETWEEN WALLS

SCHEMATIC DIAGRAM | DESPIECE DEL SISTEMA

MAXIMUM
SHADE SIZE

197"
5 m

197"
5 m





PERGOLAS 80 X 40 SYSTEM | BETWEEN WALLS

SCHEMATIC DIAGRAM | DESPIECE DEL SISTEMA

LEGEND | LEYENDA

NO.	DESCRIPTION	CODE	QTY	UNIT
1	Flat Awning 80x40 Alum. Guide Support - White	0-140-07-10611	4	EA
2	Flat Awning 80x40 Alum. Guide Profile 16.4' 5 m- White	0-140-07-13151	-*	FT
3	Flat Awning 80x40 Alum. Sight Profile 16.4' 5 m - White	0-140-07-12255	-*	FT
4	Awning 80x40 Sight Profile Plastic End Cap - White	0-140-07-10011	8	EA
5	Mobile Pulley- White	0-140-07-10281	8	EA
6	Single Cord Reel - White	0-140-07-10201	2	EA
7	Double Cord Reel - White	0-140-07-10211	1	EA
8	Flat Cord Attachment - White	0-140-07-10911	1	EA

*The quantity varies depending on the size of the Pergolas.



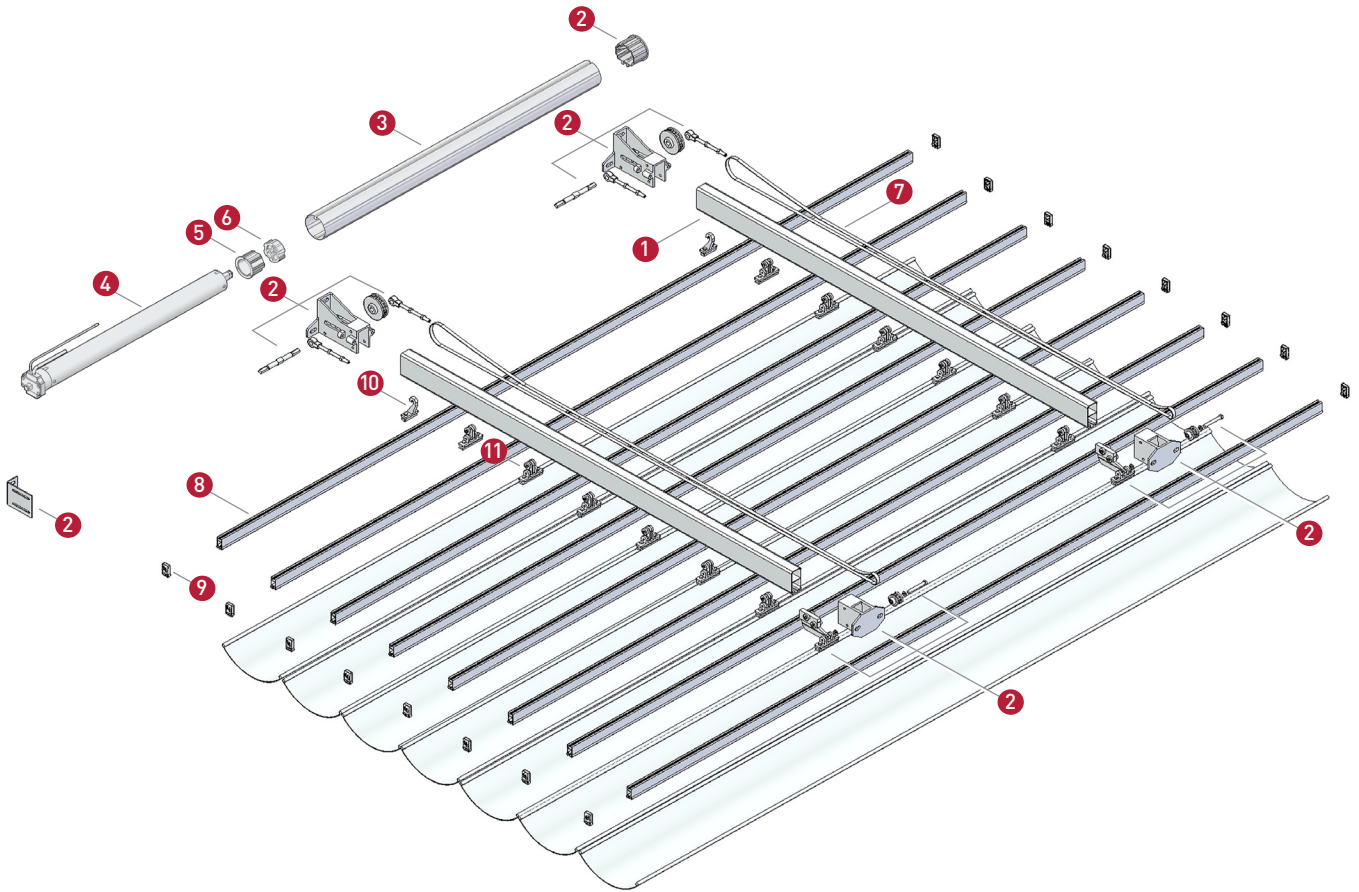
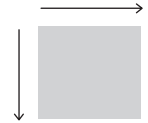
MOTORIZED PERGOLAS 80 X 40 SYSTEM

SCHEMATIC DIAGRAM | DESPIECE DEL SISTEMA

MAXIMUM
SHADE SIZE

197"
5 m

197"
5 m





MOTORIZED PERGOLAS 80 X 40 SYSTEM

SCHEMATIC DIAGRAM | DESPIECE DEL SISTEMA

LEGEND | LEYENDA

NO.	DESCRIPTION	CODE	QTY	UNIT
1	Flat Awning 80x40 Alum. Guide Profile 16.4' 5 m- White	0-140-07-13151	-*	FT
2	Set for 80 mm Motor - White	0-140-07-11401	1	SET
3	2 3/4" (70 mm) Galvanized Steel Grooved Tube (Available in 19' 6m)	0-154-TU-G7021	-*	FT
4	VTi® Celtic Electronic Limits 20 Nm (Multiple options available. See <i>Compatible Motors Section</i>)	6-700-CM-45E20	1	EA
5	Crown for 45 mm Motors and 2 3/4" 70 mm Tubes	6-700-AC-DH570	1	EA
6	Drive for 45 mm "A" Shaft Motors and 2 3/4" 70mm Tubes	6-700-AD-DL570	1	EA
7	Transmission Rubber Belt	0-140-07-11540	-*	FT
8	Flat Awning 80x40 Alum. Sight Profile 16.4' 5 m - White	0-140-07-12255	-*	FT
9	Awning 80x40 Sight Profile Plastic End Cap - White	0-140-07-10011	16	EA
10	Mobile Pulley with 87.5 mm Extension - White	0-140-07-10331	2	EA
11	Mobile Pulley- White	0-140-07-10281	12	EA

*The quantity varies depending on the size of the Pergolas.



PERGOLAS 80 x 40 SYSTEM

COMPATIBLE TUBES & ADAPTERS FOR MOTORIZATION

TUBOS COMPATIBLES Y ADAPTADORES PARA MOTORIZACIÓN

SERIE Ø45



2 3/4" (70 mm) GALVANIZED STEEL GROOVED TUBE

CODE	DESCRIPTION	CROWN	DRIVE
0-154-TU-G7021	2 3/4" (70 mm) Galvanized Steel Grooved Tube (Available in 19.6' 6 m)	 6-700-AC-DH570	 6-700-AD-DL570



PERGOLAS 80 x 40 SYSTEM

COMPATIBLE MOTORS | MOTORES COMPATIBLES

SERIE Ø45



VTi® Celtic Electronic Limits Motor | 20 Nm
6-700-CM-45E20 (120V) | 6-700-CN-45E20 (230V)



VTi® Celtic Mechanical Limits Motor | 20 Nm
6-700-CM-45R20 (120V) | 6-700-CN-45R20 (230V)



VTi® Celtic Mechanical Limits | Standard Motor | 20 Nm
6-700-CM-45S20 (120V) | 6-700-CN-45S20 (230V)



VTi® Celtic Mechanical Limits | Manual Override Motor | 20 Nm
6-700-CM-45M20 *

* For this motor, items: 0-140-04-004XX & 0-140-04-005XX are NOT required.
The screws: 0-140-0400M4N must be replaced with 0-140-04-AM625



VERTILUX

IDEAS FOR YOUR SPACE

1.800.356.8837

sales@vertilux.com

vertilux.com