



VERTILUX

IDEAS FOR YOUR SPACE

ARION SYSTEM

DROP SHADE





ARION SYSTEM

TECHNICAL SHEET | FICHA TÉCNICA



FEATURES

Arion is an oversized roller shade that provides the resistance of an exterior shade with the aesthetically pleasing look of an interior shade. This highly durable system can be used both outdoors and indoors given that all of its components are made of stainless steel, which eliminates the risk of oxidation.

When it comes to installation and configuration, Arion is a highly versatile system. It can be used with cable or rod guidance options and with crank or motor operation systems.

APPLICATIONS



Drop Shades

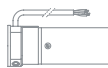


Indoor & Outdoor Use

OPERATION OPTIONS



Crank



VTi® Celtic Motor

GUIDED OPTIONS



Cable



Rod

*Both options are available for wall or floor installation.



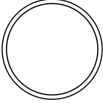





ARION SYSTEM

TECHNICAL SHEET | FICHA TÉCNICA

TECHNICAL SPECS

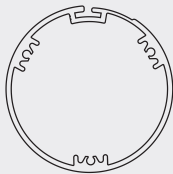
Maximum Width	19.6' 6 m	Mounting Options	Wall or Ceiling
Maximum Height	Guideless: 29.5' 9 m Cable: 16.4' 5 m Rod: 11.8' 3.6 m	Guided Options	Stainless Steel Cable or Rod
Maximum Weight	70-110 lb 32-50 kg	Operation Option	Crank or Motor
Tube Diameter \varnothing	2 1/2" 63 mm up to 14.7' 4.5 m of width 3 1/4" 83 mm up to 19.6' 6 m of width	Minimum Torque for Motorization	6 Nm

BOTTOMRAIL TUBES OPTIONS

	PROFILES	GUIDED	GUIDELESS
Hidden	 <p>19/16" 40 mm Galvanized Steel Internal Bottomrail 0-154-TU-G4022 Length: 19.6'</p>	 <p>Cable or Rod End Plug* 0-140-04-BEPXX White (WH), Black (BK)</p> <p>Cable End Plug 0-140-03-00200</p> <p>Rod End Plug 0-140-03-00300</p>	 <p>End Caps 0-140-04-EC04X White (W), Black (B)</p> <p>Clear Protector Clip 0-140-04-CPC40</p>
Visible	 <p>19/16" 40 mm* Aluminum Bottomrail - White 0-151-AL-AAW19 Length: 19.5'</p>	 <p>Cable End Plug 0-140-03-00200</p> <p>Rod End Plug 0-140-03-00300</p>	Not Compatible
	 <p>Straight Profile PU5 - White* 0-140-00-00020 Length: 19.5'</p>	Not Compatible	 <p>End Caps 0-140-00-00023</p>

*6mm Insert required: 0-140-07-79010

RECOMMENDED TUBES



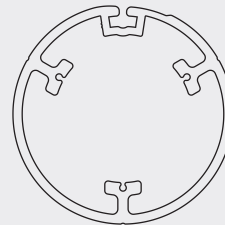
Up to 14.7' | 4.5 m of Width

2 1/2" | 63 mm

Structured Aluminum Tube

0-154-TU-630XX

Length: 19'



Up to 19.6' | 6 m of Width

3 1/4" | 83 mm

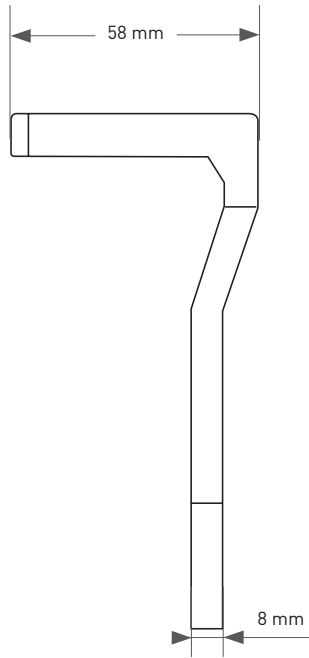
Structured Aluminum Tube

0-154-TU-83021

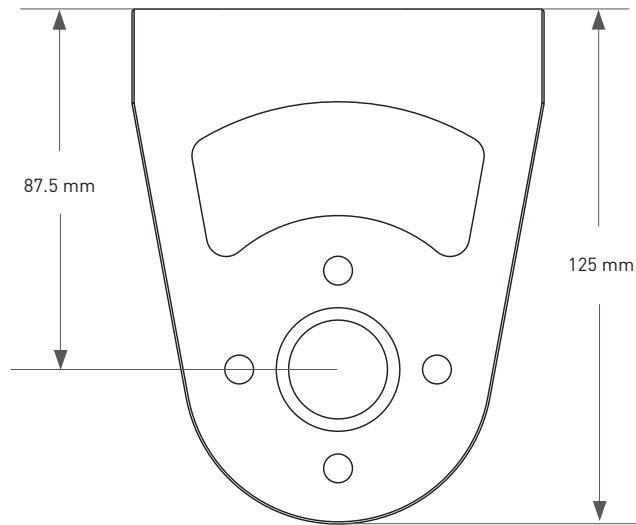
Length: 19'



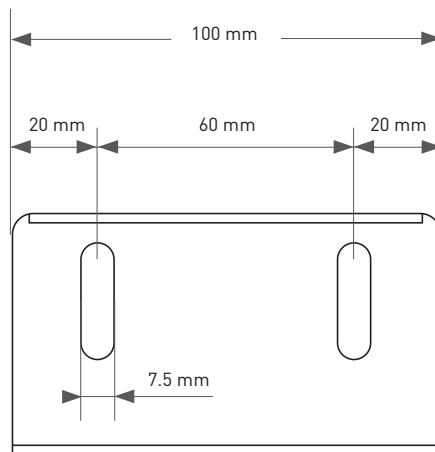
ARION BRACKETS



Side View



Front View

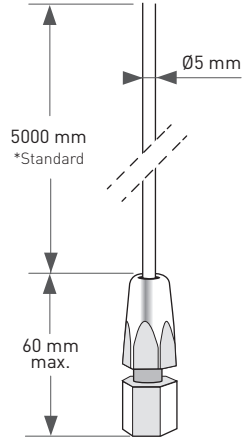


Top View



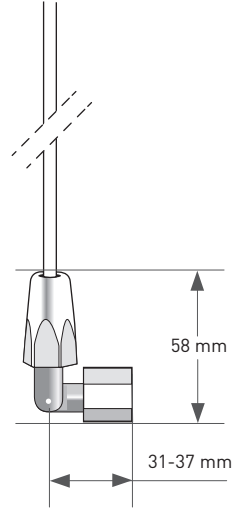
ARION SYSTEM
DIMENSIONS | DIMENSIONES

CABLE INSTALLATION



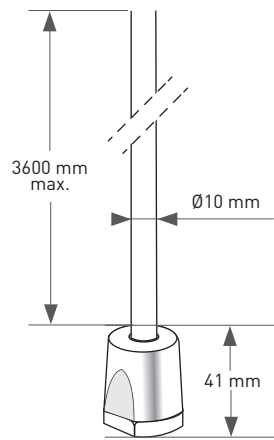
Floor Installation

*Longer measurement under request.

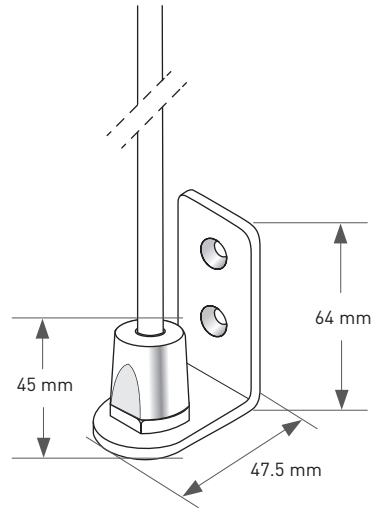


Wall Installation

ROD INSTALLATION



Floor Installation



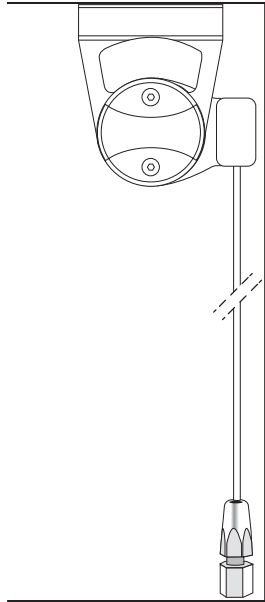
Wall Installation



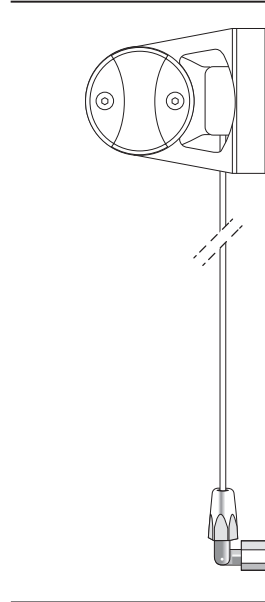
ARION SYSTEM

MOUNTING OPTIONS | OPCIONES DE MONTAJE

CABLE INSTALLATION

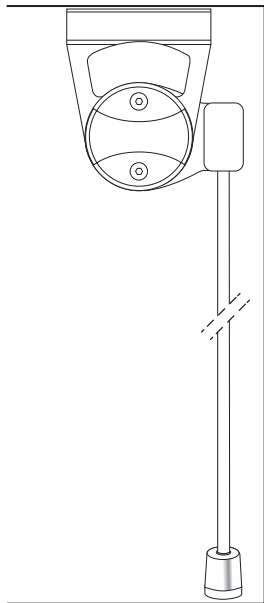


Ceiling support
and floor bracket

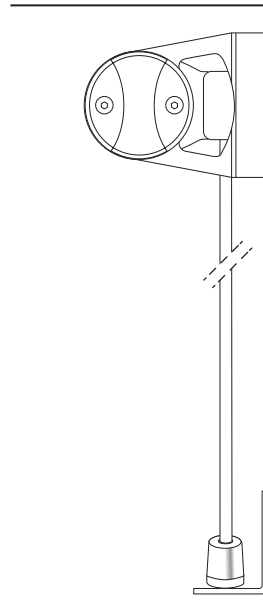


Wall support
and wall bracket

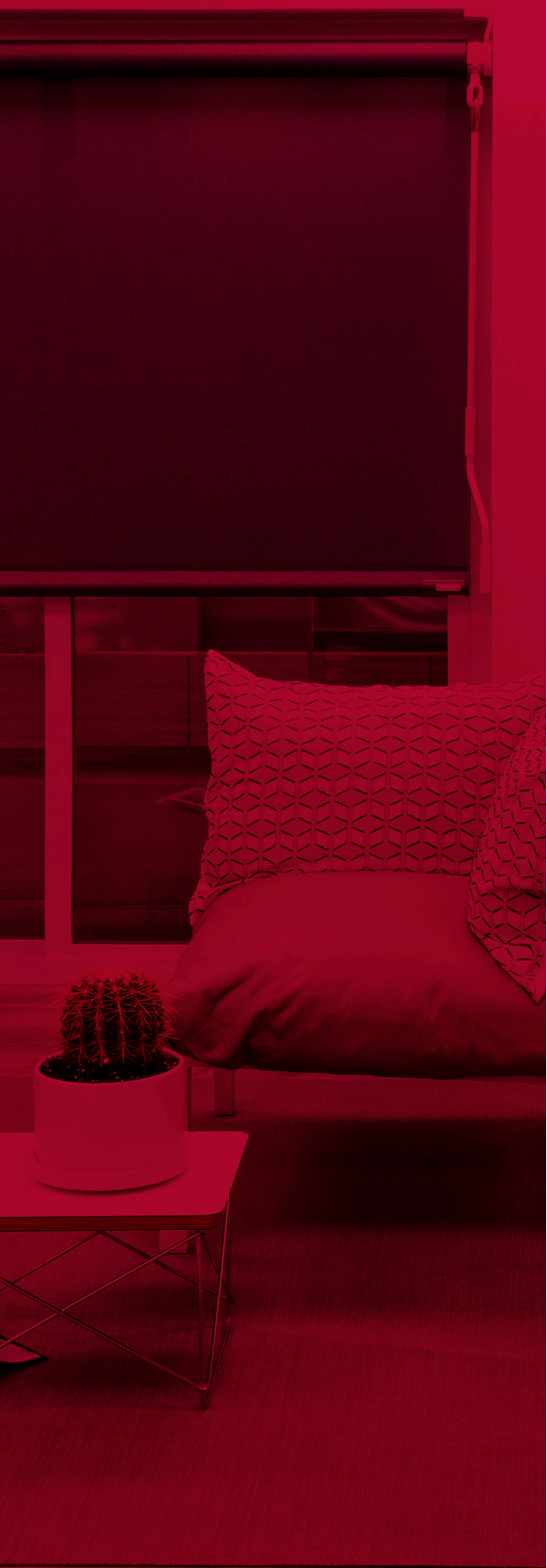
ROD INSTALLATION



Ceiling support
and floor bracket



Wall support
and wall bracket



ARION DROP SHADES SYSTEM

INSTALLATION OPTIONS

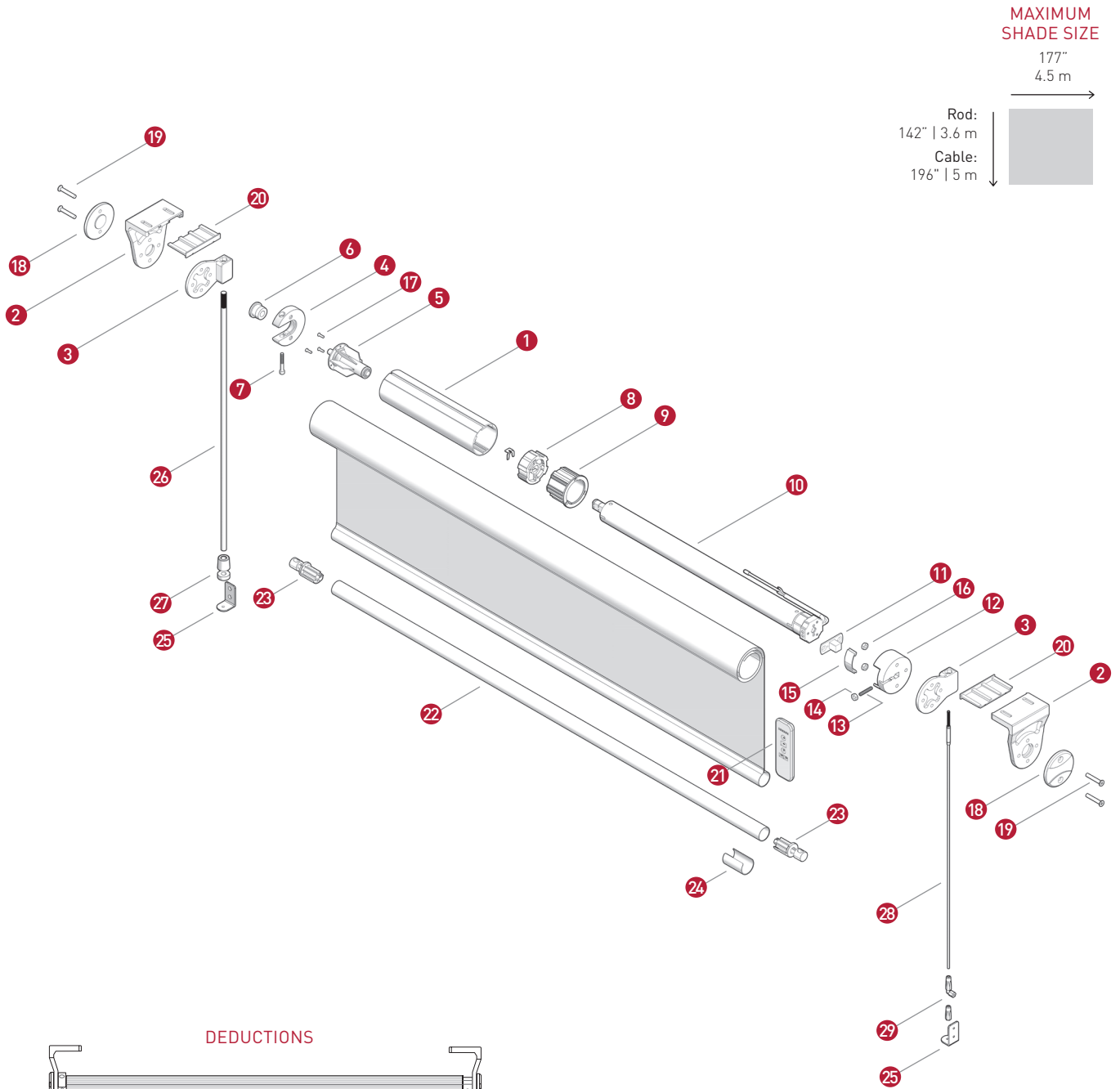
OPCIONES DE INSTALACIÓN





MOTORIZED ARION ROD | CABLE SYSTEM WITH 63 mm TUBE

SCHEMATIC DIAGRAM | DESPIECE DEL SISTEMA



DEDUCTIONS



Active Side	Passive Side	Total
54.8 mm	43.0 mm	97.8 mm



MOTORIZED ARION ROD | CABLE SYSTEM WITH 63 mm TUBE

SCHEMATIC DIAGRAM | DESPIECE DEL SISTEMA

LEGEND | LEYENDA

NO.	DESCRIPTION	CODE	QTY	UNIT
1	2½" (63 mm) Structured Aluminum Tube (Available in 19' 5.8 m)	0-154-TU-630XX	-*	FT
-	63 mm Tube Channel Flat Insert (Not shown in the diagram)	0-151-R1-00230	-*	FT
2	Arion Installation Bracket White (WH), Grey (GR), Natural (NA), Black (BK)	0-140-04-001XX	2	EA
3	Cable/Rod Guide Installation Support Grey White (WH), Grey (GR), Natural (NA), Black (BK)	0-140-04-007XX	2	EA
4	Threaded Pin End Support White (WH), Grey (GR), Natural (NA), Black (BK)	0-140-04-009XX	1	EA
5	Endplug 12 mm Round Tip for 2½" (63 mm) Tube	0-140-04-03200	1	EA
6	Pin End Bushing White (WH), Grey (GR), Black (BK)	0-140-04-010XX	1	EA
7	Stainless Steel Allen Screw M6x55 mm, Din 912	0-140-04-08000	1	EA
8	Drive for 35 & 45 mm "A" Shaft Motors and 2½" (63 mm) & 3¼" (83 mm) Tubes	6-700-AD-45063	1	EA
9	Crown for 13/8" (35 mm) Motors and 2½" (63 mm) Tube	6-700-AC-35063	1	EA
10	VTi® Celtic Electronic Limits 6 Nm (Multiple options available. See <i>Compatible Motors Section</i>)	6-700-CM-35E06	1	EA
11	Installation 10 mm Square Motor Block - Mill Finish	6-700-BR-SQ001	1	EA
12	Motor Installation Cover White (WH), Grey (GR), Natural (NA), Black (BK)	0-140-04-004XX	1	EA
13	Stainless Steel Allen Screw M4x30mm, Din 914	0-140-04-0M430	1	EA
14	Euro Snap-In Nut M-4 DIN 934 Zinc	0-154-PS-E0300	1	EA
15	Motor Installation Cover Cap White (WH), Grey (GR), Black (BK)	0-140-04-005XX	1	EA
16	Stainless Steel Nut M4, Din 934	0-140-04-00M4N	2	EA
17	Stainless Steel Screw 3.5x19 mm	0-140-05-03519	6	EA
18	Lateral Bracket Cover White (WH), Grey (GR), Natural (NA), Black (BK)	0-140-04-002XX	2	EA
19	Stainless Steel Allen Screw M6x30 mm, Din 7991	0-140-04-08600	4	EA
20	Screw Cover for Arion Installation Bracket White (WH), Grey (GR), Black (BK)	0-140-04-003XX	2	EA
21	Remote Control (Multiple options available. See <i>Control Solutions Section</i>)	--	--	EA
22	19/16" (40 mm) Galvanized Steel Internal Bottomrail Tube (Available in 19.6' 6 m)	0-154-TU-G4022	-*	FT
23	Cable/Rod Guide Endplug for 40 mm Bottomrail White (WH), Black (BK)	0-140-04-BEPXX	2	EA
24	Clear Plastic Protector Clip for 19/16" (40 mm) Bottomrail Tube	0-140-04-CPC40	2	EA
25	Stainless Steel Angle Bracket for Cable/Rod Fastener	0-140-04-01600	2	EA
FOR ROD INSTALLATION				
26	Stainless Steel Rod 12' x 3/8" with Outside Thread	0-153-01-00TOT	2	EA
27	3/8" (10 mm) Stainless Steel Rod Fastener	0-140-04-01500	2	EA
FOR CABLE INSTALLATION				
28	3/16" (5 mm) Cable Set (2) with Threaded Stud	0-140-04-01700	1	SET
29	Stainless Steel 5mm Cable Fastener - Floor OR Stainless Steel 5mm Cable Fastener - Wall	0-140-04-01515 0-140-04-01520	2	SET

*The quantity per shade varies depending on the width of the shade.

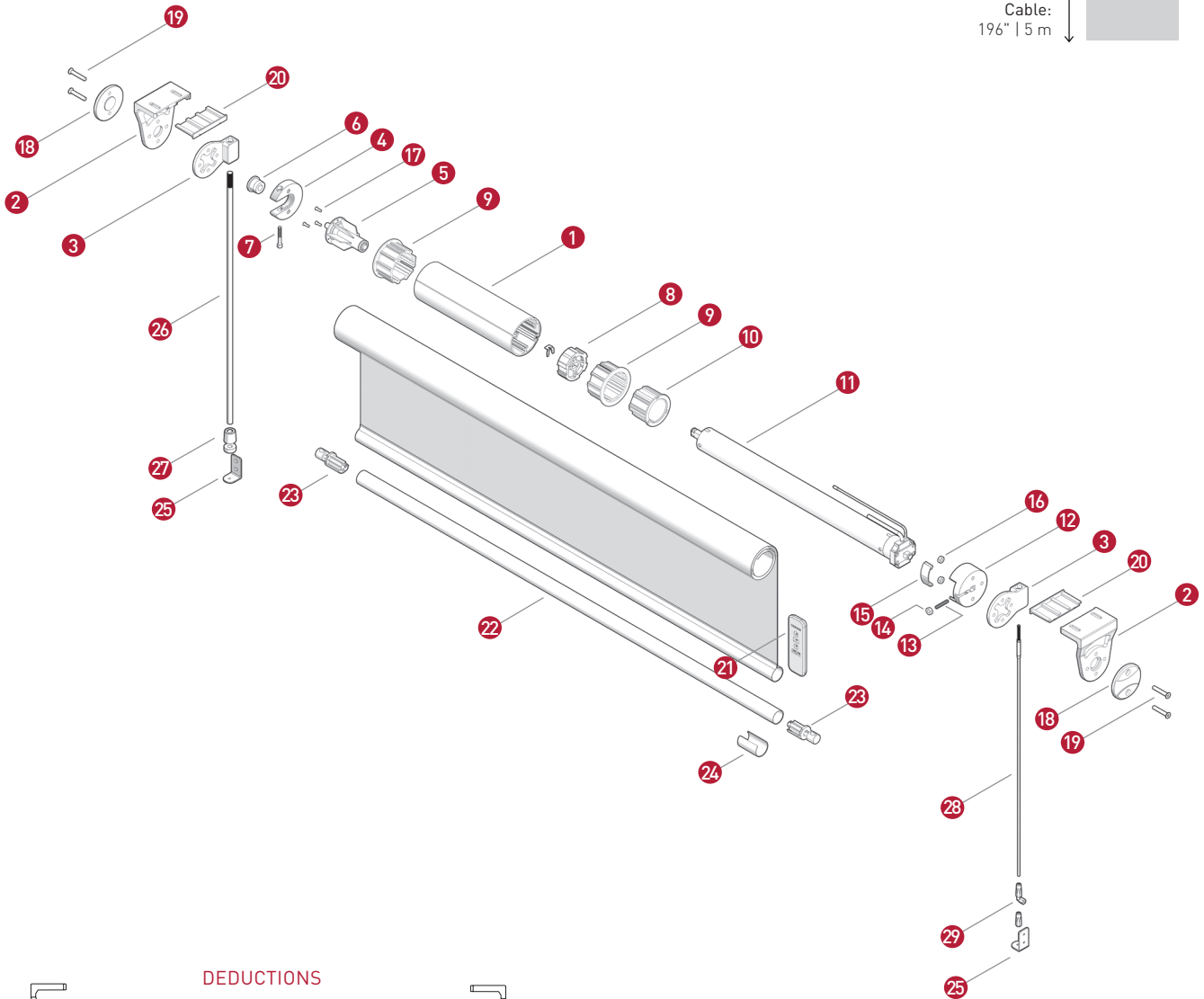


MOTORIZED ARION ROD | CABLE SYSTEM WITH 83 mm TUBE

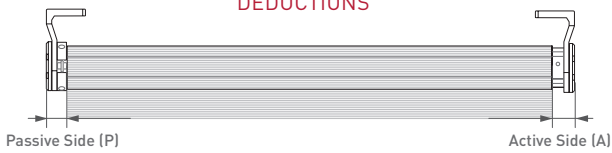
SCHEMATIC DIAGRAM | DESPIECE DEL SISTEMA

MAXIMUM
SHADE SIZE
236"
6 m

Rod:
142" | 3.6 m
Cable:
196" | 5 m



DEDUCTIONS



Active Side	Passive Side	Total
54.8 mm	43.0 mm	97.8 mm



MOTORIZED ARION ROD | CABLE SYSTEM WITH 83 mm TUBE

SCHEMATIC DIAGRAM | DESPIECE DEL SISTEMA

LEGEND | LEYENDA

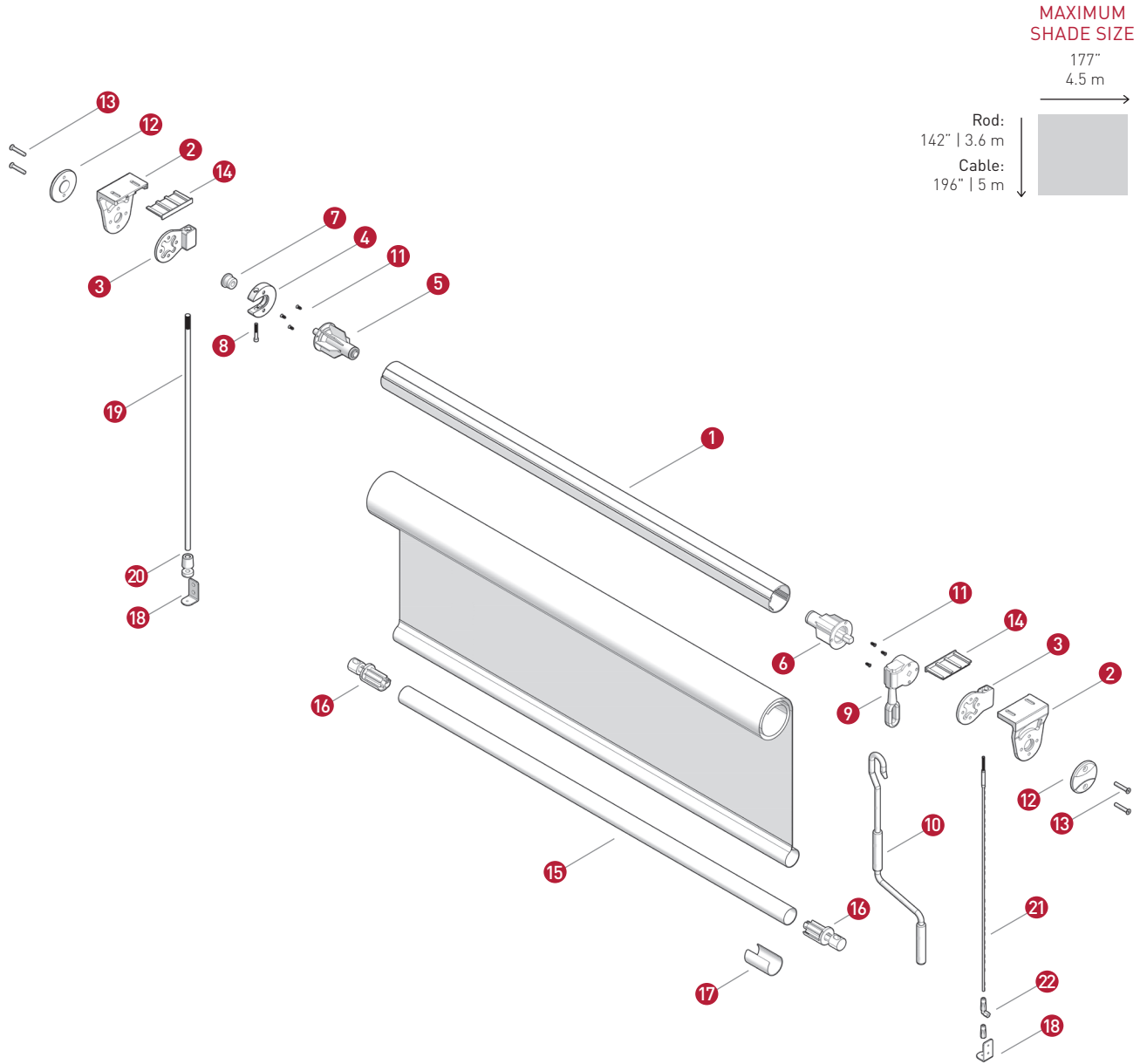
NO.	DESCRIPTION	CODE	QTY	UNIT
1	3/4" (83 mm) Structured Aluminum Tube (Available in 19' 5.8 m)	0-154-TU-8302X	-*	FT
-	83 mm Tube Channel Flat Insert (Not shown in the diagram)	0-151-R1-00220	-*	FT
2	Arion Installation Bracket White (WH), Grey (GR), Natural (NA), Black (BK)	0-140-04-001XX	2	EA
3	Cable/Rod Guide Installation Support Grey White (WH), Grey (GR), Natural (NA), Black (BK)	0-140-04-007XX	2	EA
4	Threaded Pin End Support White (WH), Grey (GR), Natural (NA), Black (BK)	0-140-04-009XX	1	EA
5	Endplug 12 mm Round Tip for 2 1/2" (63 mm) Tube	0-140-04-03200	1	EA
6	Pin End Bushing White (WH), Grey (GR), Black (BK)	0-140-04-010XX	1	EA
7	Stainless Steel Allen Screw M6x55 mm, Din 912	0-140-04-08000	1	EA
8	Drive for 35 & 45 mm "A" Shaft Motors and 2 1/2" (63 mm) & 3/4" (83 mm) Tubes	6-700-AD-45063	1	EA
9	Adapter to change from 2 1/2" (63 mm) Tube to a 3/4" (83 mm) Tube	6-700-AZ-63083	2	EA
10	Crown for 1 3/4" (45 mm) Motors and 2 1/2" (63 mm) or 3/4" (83 mm) Tube	6-700-AC-45063	1	EA
11	VTi® Celtic Electronic Limits 20 Nm (Multiple options available. See <i>Compatible Motors Section</i>)	6-700-CM-45E20	1	EA
12	Motor Installation Cover White (WH), Grey (GR), Natural (NA), Black (BK)	0-140-04-004XX	1	EA
13	Stainless Steel Allen Screw M4x30mm, Din 914	0-140-04-0M430	1	EA
14	Euro Snap-In Nut M-4 DIN 934 Zinc	0-154-PS-E0300	1	EA
15	Motor Installation Cover Cap White (WH), Grey (GR), Black (BK)	0-140-04-005XX	1	EA
16	Stainless Steel Nut M4, Din 934	0-140-04-00M4N	2	EA
17	Stainless Steel Screw 3.5x19 mm	0-140-05-03519	6	EA
18	Lateral Bracket Cover White (WH), Grey (GR), Natural (NA), Black (BK)	0-140-04-002XX	2	EA
19	Stainless Steel Allen Screw M6x30 mm, Din 7991	0-140-04-08600	4	EA
20	Screw Cover for Arion Installation Bracket White (WH), Grey (GR), Black (BK)	0-140-04-003XX	2	EA
21	Remote Control (Multiple options available. See <i>Control Solutions Section</i>)	--	--	EA
22	1 9/16" (40 mm) Galvanized Steel Internal Bottomrail Tube (Available in 19.6' 6 m)	0-154-TU-G4022	-*	FT
23	Cable/Rod Guide Endplug for 40 mm Bottomrail White (WH), Black (BK)	0-140-04-BEPXX	2	EA
24	Clear Plastic Protector Clip for 1 9/16" (40 mm) Bottomrail Tube	0-140-04-CPC40	2	EA
25	Stainless Steel Angle Bracket for Cable/Rod Fastener	0-140-04-01600	2	EA
FOR ROD INSTALLATION				
26	Stainless Steel Rod 12' x 3/8" with Outside Thread	0-153-01-00TOT	2	EA
27	3/8" (10 mm) Stainless Steel Rod Fastener	0-140-04-01500	2	EA
FOR CABLE INSTALLATION				
28	3/16" (5 mm) Cable Set (2) with Threaded Stud	0-140-04-01700	1	SET
29	Stainless Steel 5mm Cable Fastener - Floor OR Stainless Steel 5mm Cable Fastener - Wall	0-140-04-01515 0-140-04-01520	2	SET

*The quantity per shade varies depending on the width of the shade.



MANUAL ARION ROD | CABLE SYSTEM WITH 63 mm TUBE

SCHEMATIC DIAGRAM | DESPIECE DEL SISTEMA

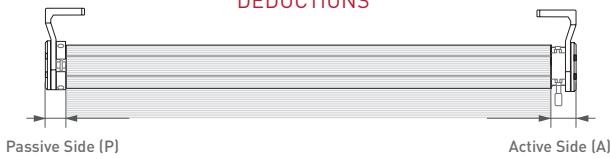


**MAXIMUM
SHADE SIZE**
177"
4.5 m

Rod:
142" | 3.6 m
Cable:
196" | 5 m



DEDUCTIONS



Active Side	Passive Side	Total
60.0 mm	43.0 mm	103.0 mm



MANUAL ARION ROD | CABLE SYSTEM WITH 63 mm TUBE

SCHEMATIC DIAGRAM | DESPIECE DEL SISTEMA

LEGEND | LEYENDA

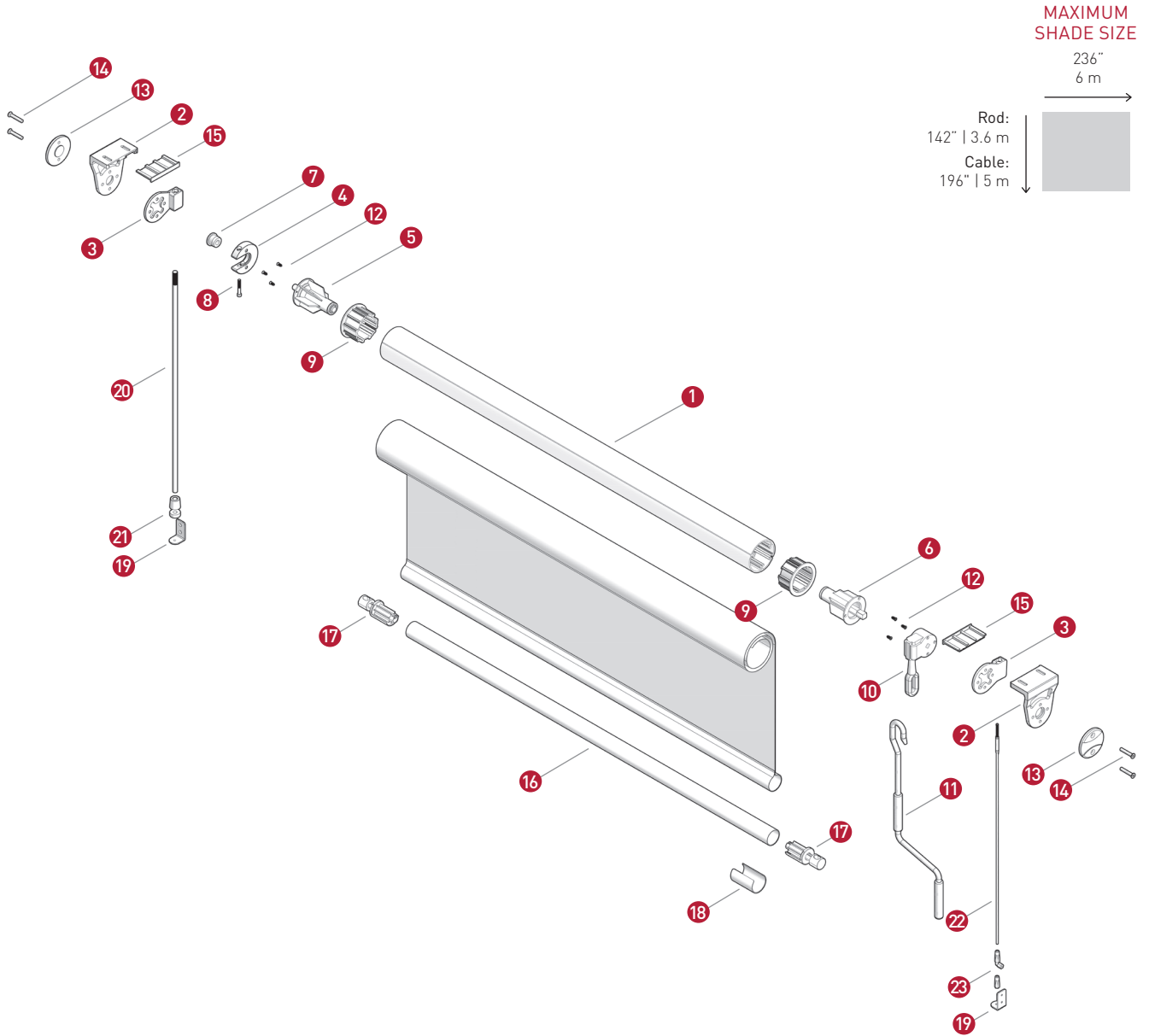
NO.	DESCRIPTION	CODE	QTY	UNIT
1	2½" (63 mm) Structured Aluminum Tube (Available in 19' 5.8 m)	0-154-TU-630XX	-*	FT
-	63 mm Tube Channel Flat Insert (Not shown in the diagram)	0-151-R1-00230	-*	FT
2	Arion Installation Bracket White (WH), Grey (GR), Natural (NA), Black (BK)	0-140-04-001XX	2	EA
3	Cable/Rod Guide Installation Support Grey White (WH), Grey (GR), Natural (NA), Black (BK)	0-140-04-007XX	2	EA
4	Threaded Pin End Support White (WH), Grey (GR), Natural (NA), Black (BK)	0-140-04-009XX	1	EA
5	Endplug 12 mm Round Tip for 2½" (63 mm) Tube	0-140-04-03200	1	EA
6	Endplug 12 mm Square Tip for 2½" (63 mm) Tube	0-140-04-03300	1	EA
7	Pin End Bushing White (WH), Grey (GR), Black (BK)	0-140-04-010XX	1	EA
8	Stainless Steel Allen Screw M6x55 mm, Din 912	0-140-04-08000	1	EA
9	Gear Box 1:7 Threaded - White (Multiple options available. <i>See Gear Box Section</i>)	0-140-07-71120	1	EA
10	Hand Crank Model Roma - White 3.2' 1.00 m (10), 4.0' 1.20 m (15), 5.0' 1.50 m (20), 5.5' 1.70 m (25), 6.5' 2.00 m (30), 7.2' 2.20 m (35), 8.2' 2.50 m (40)	0-140-07-730XX	1	EA
11	Stainless Steel Screw 3.5x19 mm	0-140-05-03519	6	EA
12	Lateral Bracket Cover White (WH), Grey (GR), Natural (NA), Black (BK)	0-140-04-002XX	2	EA
13	Stainless Steel Allen Screw M6x30 mm, Din 7991	0-140-04-08600	4	EA
14	Screw Cover for Arion Installation Bracket White (WH), Grey (GR), Black (BK)	0-140-04-003XX	2	EA
15	19/16" (40 mm) Galvanized Steel Internal Bottomrail Tube (Available in 19.6' 6 m)	0-154-TU-G4022	-*	FT
16	Cable/Rod Guide Endplug for 40 mm Bottomrail White (WH), Black (BK)	0-140-04-BEPXX	2	EA
17	Clear Plastic Protector Clip for 19/16" (40 mm) Bottomrail Tube	0-140-04-CPC40	2	EA
18	Stainless Steel Angle Bracket for Cable/Rod Fastener	0-140-04-01600	2	EA
FOR ROD INSTALLATION				
19	Stainless Steel Rod 12' x ¾" with Outside Thread	0-153-01-00TOT	2	EA
20	¾" (10 mm) Stainless Steel Rod Fastener	0-140-04-01500	2	EA
FOR CABLE INSTALLATION				
21	¾/16" (5 mm) Cable Set (2) with Threaded Stud	0-140-04-01700	1	SET
22	Stainless Steel 5mm Cable Fastener - Floor OR Stainless Steel 5mm Cable Fastener - Wall	0-140-04-01515 0-140-04-01520	2	SET

*The quantity per shade varies depending on the width of the shade.



MANUAL ARION ROD | CABLE SYSTEM WITH 83 mm TUBE

SCHEMATIC DIAGRAM | DESPIECE DEL SISTEMA



DEDUCTIONS



Active Side	Passive Side	Total
60.0 mm	43.0 mm	103.0 mm



MANUAL ARION ROD | CABLE SYSTEM WITH 83 mm TUBE

SCHEMATIC DIAGRAM | DESPIECE DEL SISTEMA

LEGEND | LEYENDA

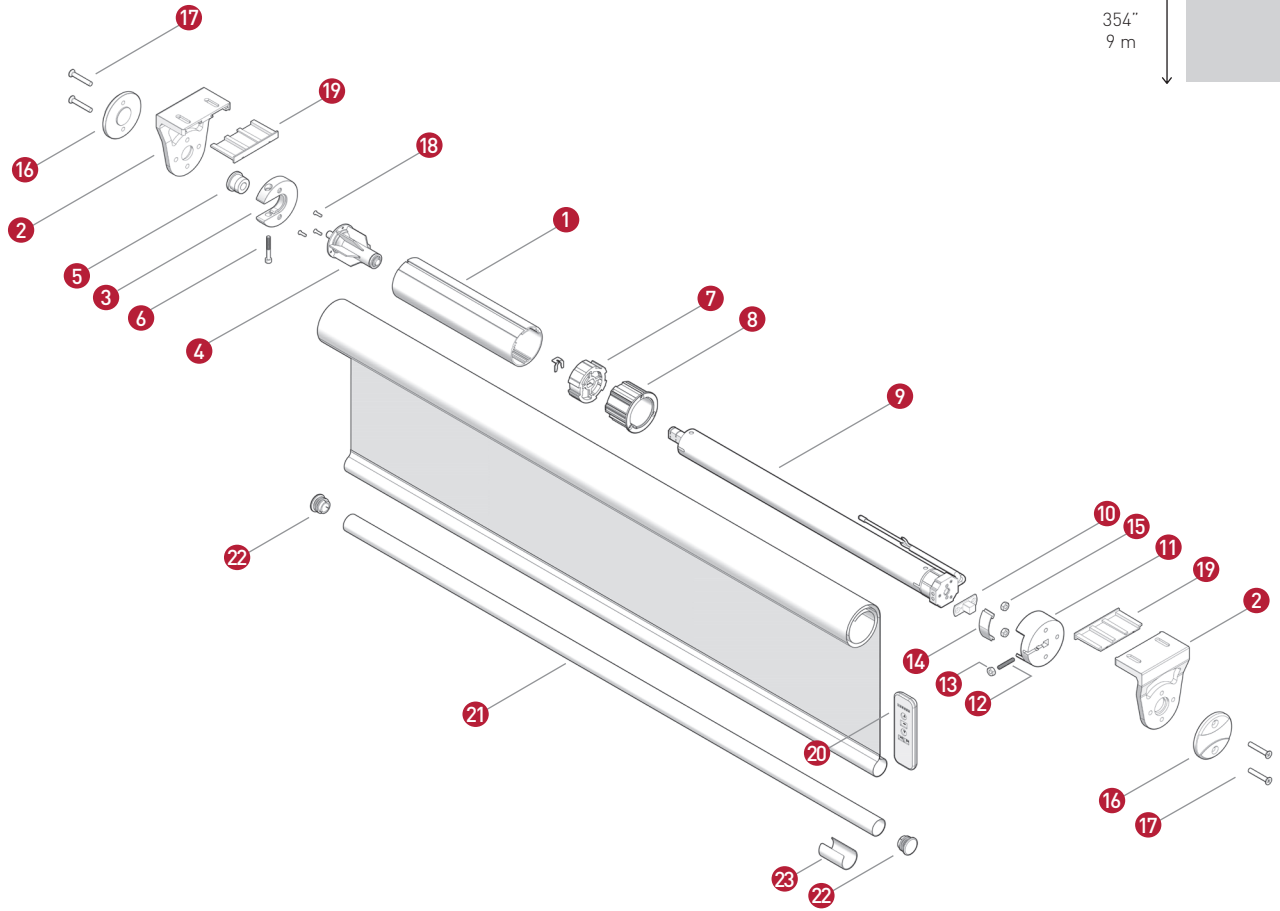
NO.	DESCRIPTION	CODE	QTY	UNIT
1	3/4" (83 mm) Structured Aluminum Tube (Available in 19' 5.8 m)	0-154-TU-8302X	-*	FT
-	83 mm Tube Channel Flat Insert (Not shown in the diagram)	0-151-R1-00220	-*	FT
2	Arion Installation Bracket White (WH), Grey (GR), Natural (NA), Black (BK)	0-140-04-001XX	2	EA
3	Cable/Rod Guide Installation Support Grey White (WH), Grey (GR), Natural (NA), Black (BK)	0-140-04-007XX	2	EA
4	Threaded Pin End Support White (WH), Grey (GR), Natural (NA), Black (BK)	0-140-04-009XX	1	EA
5	Endplug 12 mm Round Tip for 2 1/2" (63 mm) Tube	0-140-04-03200	1	EA
6	Endplug 12 mm Square Tip for 2 1/2" (63 mm) Tube	0-140-04-03300	1	EA
7	Pin End Bushing White (WH), Grey (GR), Black (BK)	0-140-04-010XX	1	EA
8	Stainless Steel Allen Screw M6x55 mm, Din 912	0-140-04-08000	1	EA
9	Adapter to change from 2 1/2" (63 mm) Tube to a 3 1/4" (83 mm) Tube	6-700-AZ-63083	2	EA
10	Gear Box 1:7 Threaded - White (Multiple options available. See Gear Box Section)	0-140-07-71120	1	EA
11	Hand Crank Model Roma - White 3.2' 1.00 m (10), 4.0' 1.20 m (15), 5.0' 1.50 m (20), 5.5' 1.70 m (25), 6.5' 2.00 m (30), 7.2' 2.20 m (35), 8.2' 2.50 m (40)	0-140-07-730XX	1	EA
12	Stainless Steel Screw 3.5x19 mm	0-140-05-03519	6	EA
13	Lateral Bracket Cover White (WH), Grey (GR), Natural (NA), Black (BK)	0-140-04-002XX	2	EA
14	Stainless Steel Allen Screw M6x30 mm, Din 7991	0-140-04-08600	4	EA
15	Screw Cover for Arion Installation Bracket White (WH), Grey (GR), Black (BK)	0-140-04-003XX	2	EA
16	1 9/16" (40 mm) Galvanized Steel Internal Bottomrail Tube (Available in 19.6' 6 m)	0-154-TU-G4022	-*	FT
17	Cable/Rod Guide Endplug for 40 mm Bottomrail White (WH), Black (BK)	0-140-04-BEPXX	2	EA
18	Clear Plastic Protector Clip for 1 9/16" (40 mm) Bottomrail Tube	0-140-04-CPC40	2	EA
19	Stainless Steel Angle Bracket for Cable/Rod Fastener	0-140-04-01600	2	EA
FOR ROD INSTALLATION				
20	Stainless Steel Rod 12' x 3/8" with Outside Thread	0-153-01-00TOT	2	EA
21	3/8" (10 mm) Stainless Steel Rod Fastener	0-140-04-01500	2	EA
FOR CABLE INSTALLATION				
22	3/16" (5 mm) Cable Set (2) with Threaded Stud	0-140-04-01700	1	SET
23	Stainless Steel 5mm Cable Fastener - Floor OR Stainless Steel 5mm Cable Fastener - Wall	0-140-04-01515 0-140-04-01520	2	SET

*The quantity per shade varies depending on the width of the shade.



MOTORIZED ARION GUIDELESS SYSTEM WITH 63 mm TUBE

SCHEMATIC DIAGRAM | DESPIECE DEL SISTEMA



DEDUCTIONS



Active Side	Passive Side	Total
49.8 mm	38.0 mm	87.8 mm



MOTORIZED ARION GUIDELESS SYSTEM WITH 63 mm TUBE

SCHEMATIC DIAGRAM | DESPIECE DEL SISTEMA

LEGEND | LEYENDA

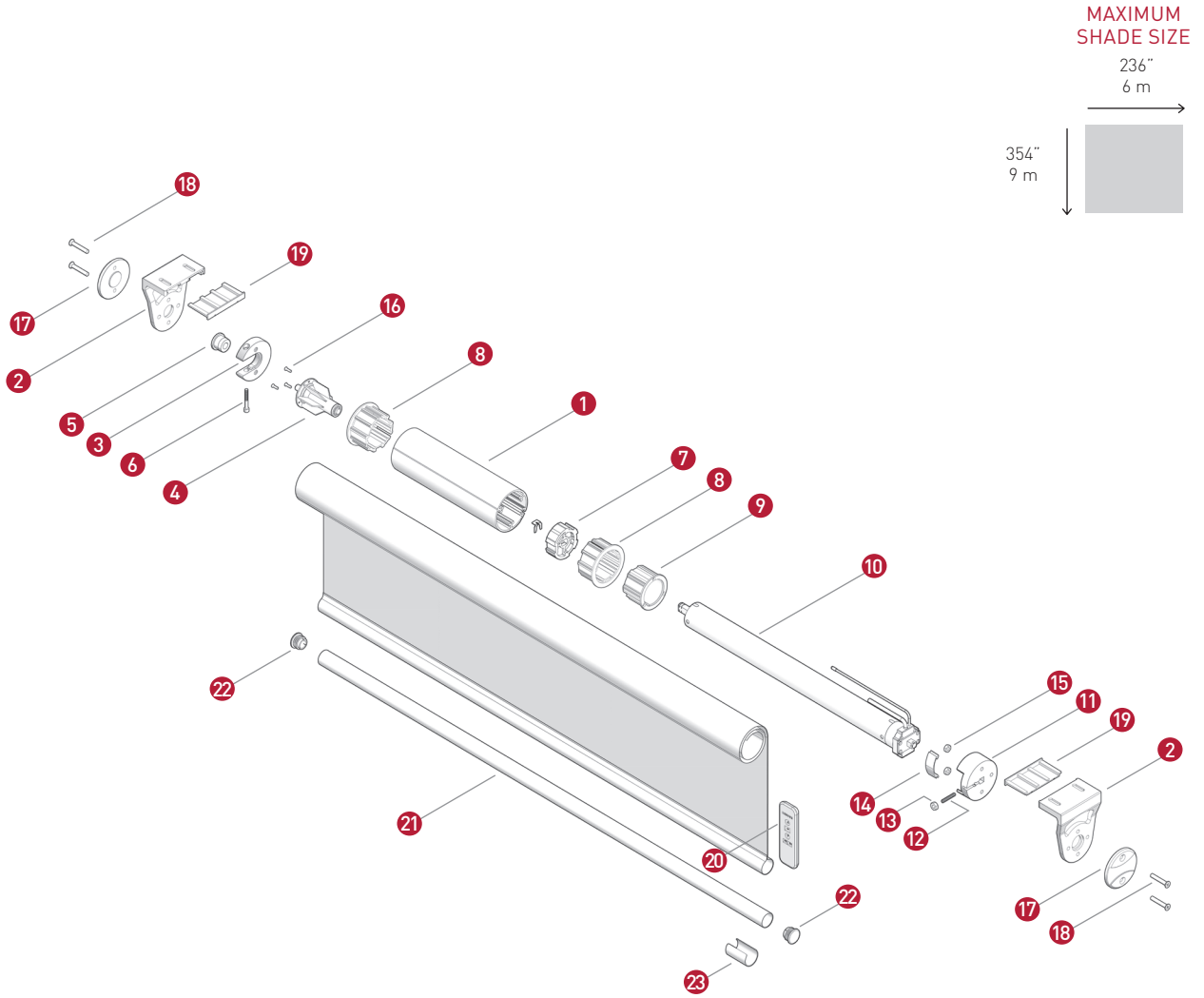
NO.	DESCRIPTION	CODE	QTY	UNIT
1	2½" (63 mm) Structured Aluminum Tube (Available in 19' 5.8 m)	0-154-TU-630XX	-*	FT
-	63 mm Tube Channel Flat Insert (Not shown in the diagram)	0-151-R1-00230	-*	FT
2	Arion Installation Bracket White (WH), Grey (GR), Natural (NA), Black (BK)	0-140-04-001XX	2	EA
3	Threaded Pin End Support White (WH), Grey (GR), Natural (NA), Black (BK)	0-140-04-009XX	2	EA
4	Endplug 12 mm Round Tip for 2½" (63 mm) Tube	0-140-04-03200	1	EA
5	Pin End Bushing White (WH), Grey (GR), Black (BK)	0-140-04-010XX	1	EA
6	Stainless Steel Allen Screw M6x55 mm, Din 912	0-140-04-08000	1	EA
7	Drive for 35 & 45 mm "A" Shaft Motors and 2½" (63 mm) & 3¼" (83 mm) Tubes	6-700-AD-45063	1	EA
8	Crown for 13/8" (35 mm) Motors and 2½" (63 mm) Tube	6-700-AC-35063	1	EA
9	VTi® Celtic Electronic Limits 6 Nm (Multiple options available. See <i>Compatible Motors Section</i>)	6-700-CM-35E06	1	EA
10	Installation 10 mm Square Motor Block - Mill Finish	6-700-BR-SQ001	1	EA
11	Motor Installation Cover White (WH), Grey (GR), Natural (NA), Black (BK)	0-140-04-004XX	1	EA
12	Stainless Steel Allen Screw M4x30mm, Din 914	0-140-04-0M430	1	EA
13	Euro Snap-In Nut M-4 DIN 934 Zinc	0-154-PS-E0300	1	EA
14	Motor Installation Cover Cap White (WH), Grey (GR), Black (BK)	0-140-04-005XX	1	EA
15	Stainless Steel Nut M4, Din 934	0-140-04-00M4N	2	EA
16	Lateral Bracket Cover White (WH), Grey (GR), Natural (NA), Black (BK)	0-140-04-002XX	2	EA
17	Stainless Steel Allen Screw M6x30 mm, Din 7991	0-140-04-08600	4	EA
18	Stainless Steel Screw 3.5x19 mm	0-140-05-03519	6	EA
19	Screw Cover for Arion Installation Bracket White (WH), Grey (GR), Black (BK)	0-140-04-003XX	2	EA
20	Remote Control (Multiple options available. See <i>Control Solutions Section</i>)	--	--	EA
21	19/16" (40 mm) Galvanized Steel Internal Bottomrail Tube (Available in 19.6' 6 m)	0-154-TU-G4022	-*	FT
22	Plastic Bottomrail End Cap for 19/16" (40 mm) Bottomrail Tube White (W), Black (B)	0-140-04-EC04X	2	EA
23	Clear Plastic Protector Clip for 19/16" (40 mm) Bottomrail Tube	0-140-04-CPC40	2	EA

*The quantity per shade varies depending on the width of the shade.



MOTORIZED ARION GUIDELESS SYSTEM WITH 83 mm TUBE

SCHEMATIC DIAGRAM | DESPIECE DEL SISTEMA



DEDUCTIONS



Active Side	Passive Side	Total
49.8 mm	38.0 mm	87.8 mm



MOTORIZED ARION GUIDELESS SYSTEM WITH 83 mm TUBE

SCHEMATIC DIAGRAM | DESPIECE DEL SISTEMA

LEGEND | LEYENDA

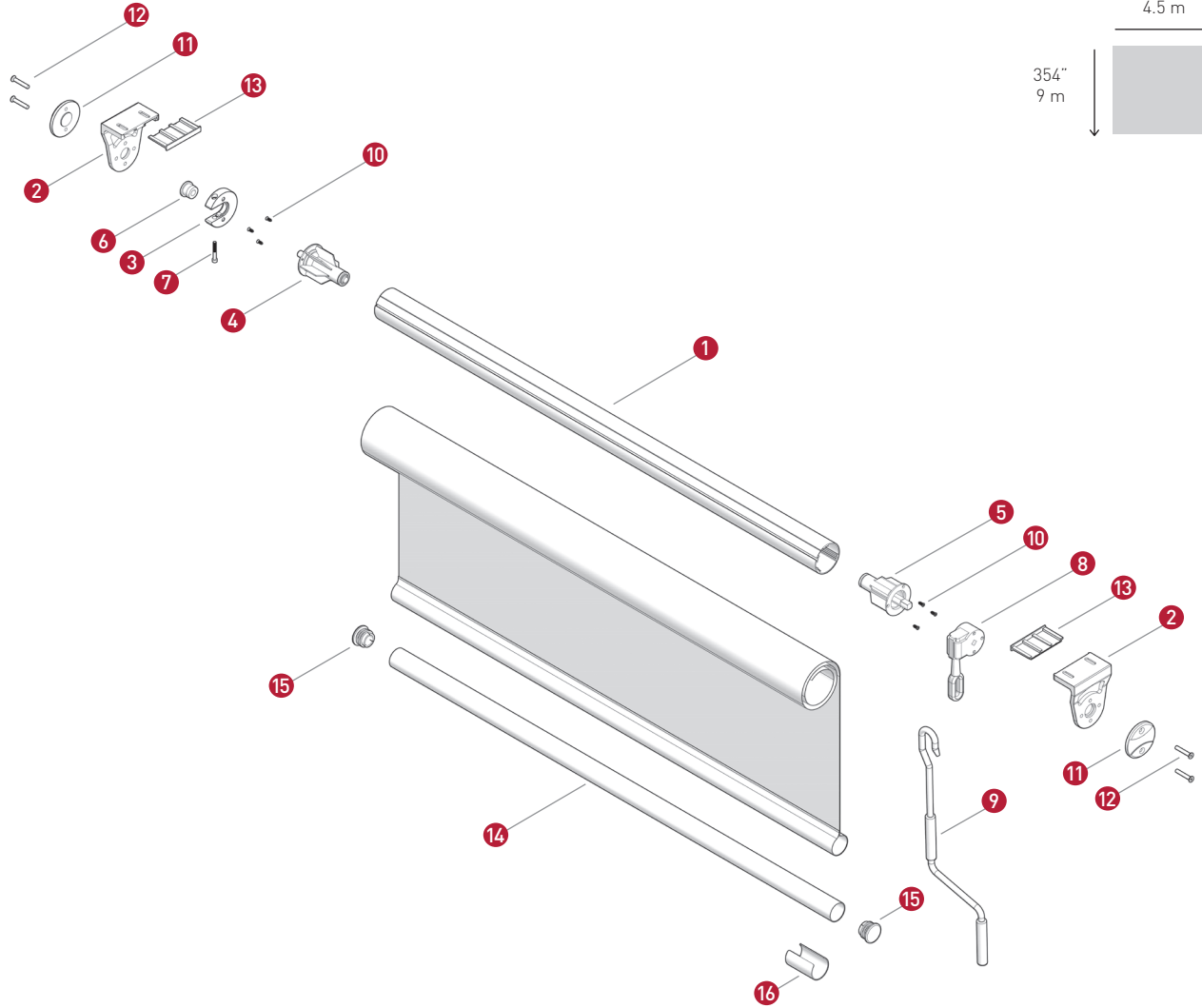
NO.	DESCRIPTION	CODE	QTY	UNIT
1	3/4" (83 mm) Structured Aluminum Tube (Available in 19' 5.8 m)	0-154-TU-8302X	-*	FT
-	83 mm Tube Channel Flat Insert (Not shown in the diagram)	0-151-R1-00220	-*	FT
2	Arion Installation Bracket White (WH), Grey (GR), Natural (NA), Black (BK)	0-140-04-001XX	2	EA
3	Threaded Pin End Support White (WH), Grey (GR), Natural (NA), Black (BK)	0-140-04-009XX	1	EA
4	Endplug 12 mm Round Tip for 2 1/2" (63 mm) Tube	0-140-04-03200	1	EA
5	Pin End Bushing White (WH), Grey (GR), Black (BK)	0-140-04-010XX	1	EA
6	Stainless Steel Allen Screw M6x55 mm, Din 912	0-140-04-08000	1	EA
7	Drive for 35 & 45 mm "A" Shaft Motors and 2 1/2" (63 mm) & 3/4" (83 mm) Tubes	6-700-AD-45063	1	EA
8	Adapter to change from 2 1/2" (63 mm) Tube to a 3 1/4" (83 mm) Tube	6-700-AZ-63083	2	EA
9	Crown for 1 3/4" (45 mm) Motors and 2 1/2" (63 mm) or 3/4" (83 mm) Tube	6-700-AC-45063	1	EA
10	VTi® Celtic Electronic Limits 20 Nm (Multiple options available. See <i>Compatible Motors Section</i>)	6-700-CM-45E20	1	EA
11	Motor Installation Cover White (WH), Grey (GR), Natural (NA), Black (BK)	0-140-04-004XX	1	EA
12	Stainless Steel Allen Screw M4x30mm, Din 914	0-140-04-0M430	1	EA
13	Euro Snap-In Nut M-4 DIN 934 Zinc	0-154-PS-E0300	1	EA
14	Motor Installation Cover Cap White (WH), Grey (GR), Black (BK)	0-140-04-005XX	1	EA
15	Stainless Steel Nut M4, Din 934	0-140-04-00M4N	2	EA
16	Stainless Steel Screw 3.5x19 mm	0-140-05-03519	6	EA
17	Lateral Bracket Cover White (WH), Grey (GR), Natural (NA), Black (BK)	0-140-04-002XX	6	EA
18	Stainless Steel Allen Screw M6x30 mm, Din 7991	0-140-04-08600	4	EA
19	Screw Cover for Arion Installation Bracket White (WH), Grey (GR), Black (BK)	0-140-04-003XX	2	EA
20	Remote Control (Multiple options available. See <i>Control Solutions Section</i>)	--	--	EA
21	1 9/16" (40 mm) Galvanized Steel Internal Bottomrail Tube (Available in 19.6' 6 m)	0-154-TU-G4022	-*	FT
22	Plastic Bottomrail End Cap for 1 9/16" (40 mm) Bottomrail Tube White (W), Black (B)	0-140-04-EC04X	2	EA
23	Clear Plastic Protector Clip for 1 9/16" (40 mm) Bottomrail Tube	0-140-04-CPC40	2	EA

*The quantity per shade varies depending on the width of the shade.



MANUAL ARION GUIDELESS SYSTEM WITH 63 mm TUBE

SCHEMATIC DIAGRAM | DESPIECE DEL SISTEMA



DEDUCTIONS



Active Side	Passive Side	Total
55.9 mm	38.0 mm	93.9 mm



MANUAL ARION GUIDELESS SYSTEM WITH 63 mm TUBE

SCHEMATIC DIAGRAM | DESPIECE DEL SISTEMA

LEGEND | LEYENDA

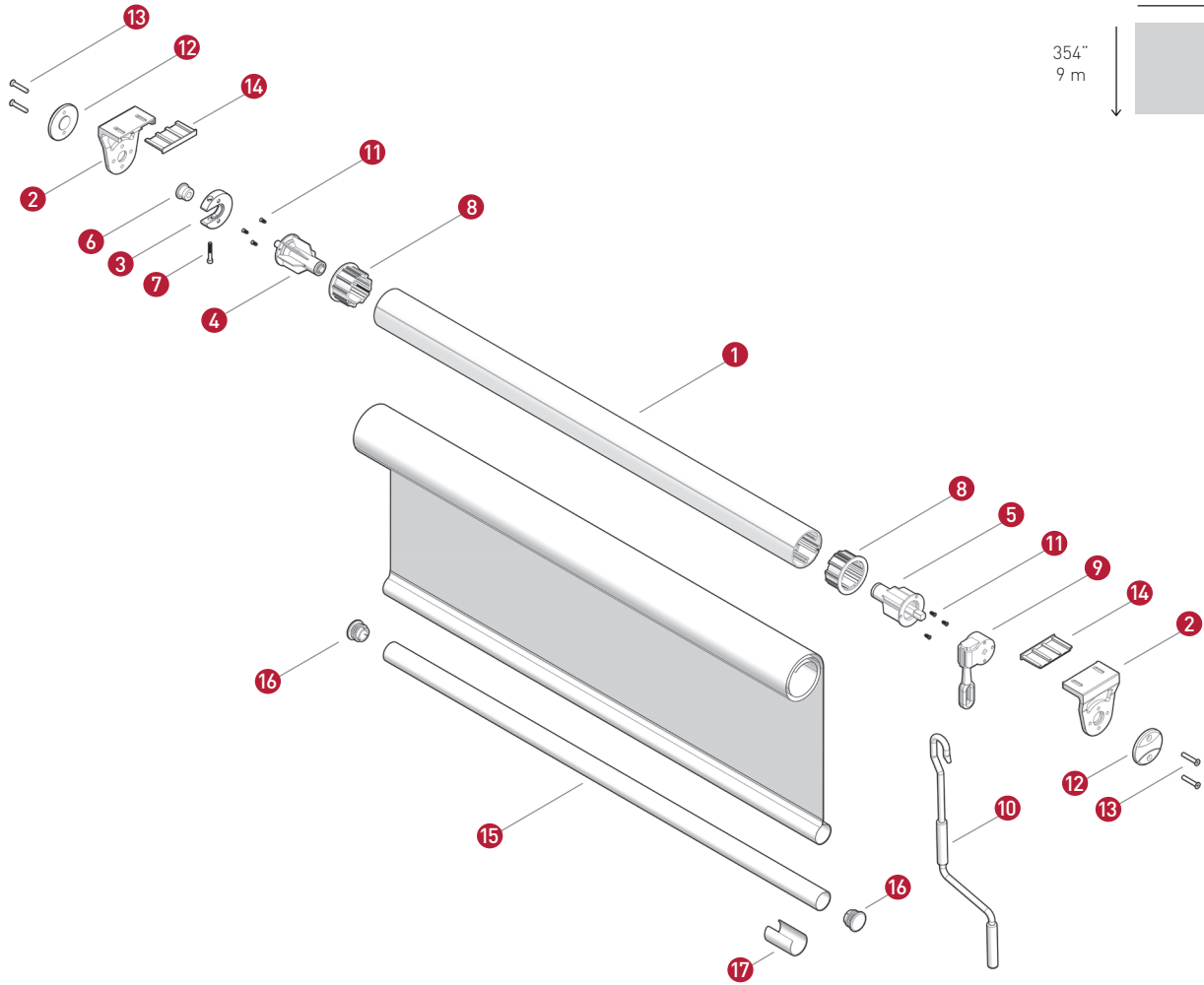
NO.	DESCRIPTION	CODE	QTY	UNIT
1	2½" (63 mm) Structured Aluminum Tube (Available in 19' 5.8 m)	0-154-TU-630XX	-*	FT
-	63 mm Tube Channel Flat Insert (Not shown in the diagram)	0-151-R1-00230	-*	FT
2	Arion Installation Bracket White (WH), Grey (GR), Natural (NA), Black (BK)	0-140-04-001XX	2	EA
3	Threaded Pin End Support White (WH), Grey (GR), Natural (NA), Black (BK)	0-140-04-009XX	1	EA
4	Endplug 12 mm Round Tip for 2½" (63 mm) Tube	0-140-04-03200	1	EA
5	Endplug 12 mm Square Tip for 2½" (63 mm) Tube	0-140-04-03300	1	EA
6	Pin End Bushing White (WH), Grey (GR), Black (BK)	0-140-04-010XX	1	EA
7	Stainless Steel Allen Screw M6x55 mm, Din 912	0-140-04-08000	1	EA
8	Gear Box 1:7 Threaded - White (Multiple options available. See Gear Box Section)	0-140-07-71120	1	EA
9	Hand Crank Model Roma - White 3.2' 1.00 m (10), 4.0' 1.20 m (15), 5.0' 1.50 m (20), 5.5' 1.70 m (25), 6.5' 2.00 m (30), 7.2' 2.20 m (35), 8.2' 2.50 m (40)	0-140-07-730XX	1	EA
10	Stainless Steel Screw 3.5x19 mm	0-140-05-03519	6	EA
11	Lateral Bracket Cover White (WH), Grey (GR), Natural (NA), Black (BK)	0-140-04-002XX	2	EA
12	Stainless Steel Allen Screw M6x30 mm, Din 7991	0-140-04-08600	4	EA
13	Screw Cover for Arion Installation Bracket White (WH), Grey (GR), Black (BK)	0-140-04-003XX	2	EA
14	19/16" (40 mm) Galvanized Steel Internal Bottomrail Tube (Available in 19.6' 6 m)	0-154-TU-G4022	-*	FT
15	Plastic Bottomrail End Cap for 19/16" (40 mm) Bottomrail Tube White (W), Black (B)	0-140-04-EC04X	2	EA
16	Clear Plastic Protector Clip for 19/16" (40 mm) Bottomrail Tube	0-140-04-CPC40	2	EA

*The quantity per shade varies depending on the width of the shade.



MANUAL ARION GUIDELESS SYSTEM WITH 83 mm TUBE

SCHEMATIC DIAGRAM | DESPIECE DEL SISTEMA



MAXIMUM
SHADE SIZE
236"
6 m

354"
9 m

DEDUCTIONS



Active Side	Passive Side	Total
55.9 mm	38.0 mm	93.9 mm



MANUAL ARION GUIDELESS SYSTEM WITH 83 mm TUBE

SCHEMATIC DIAGRAM | DESPIECE DEL SISTEMA

LEGEND | LEYENDA

NO.	DESCRIPTION	CODE	QTY	UNIT
1	3/4" (83 mm) Structured Aluminum Tube (Available in 19' 5.8 m)	0-154-TU-8302X	-*	FT
-	83 mm Tube Channel Flat Insert (Not shown in the diagram)	0-151-R1-00220	-*	FT
2	Arion Installation Bracket White (WH), Grey (GR), Natural (NA), Black (BK)	0-140-04-001XX	2	EA
3	Threaded Pin End Support White (WH), Grey (GR), Natural (NA), Black (BK)	0-140-04-009XX	1	EA
4	Endplug 12 mm Round Tip for 2 1/2" (63 mm) Tube	0-140-04-03200	1	EA
5	Endplug 12 mm Square Tip for 2 1/2" (63 mm) Tube	0-140-04-03300	1	EA
6	Pin End Bushing White (WH), Grey (GR), Black (BK)	0-140-04-010XX	1	EA
7	Stainless Steel Allen Screw M6x55 mm, Din 912	0-140-04-08000	1	EA
8	Adapter to change from 2 1/2" (63 mm) Tube to a 3 1/4" (83 mm) Tube	6-700-AZ-63083	2	EA
9	Gear Box 1:7 Threaded - White (Multiple options available. See Gear Box Section)	0-140-07-71120	1	EA
10	Hand Crank Model Roma - White 3.2' 1.00 m (10), 4.0' 1.20 m (15), 5.0' 1.50 m (20), 5.5' 1.70 m (25), 6.5' 2.00 m (30), 7.2' 2.20 m (35), 8.2' 2.50 m (40)	0-140-07-730XX	1	EA
11	Stainless Steel Screw 3.5x19 mm	0-140-05-03519	6	EA
12	Lateral Bracket Cover White (WH), Grey (GR), Natural (NA), Black (BK)	0-140-04-002XX	2	EA
13	Stainless Steel Allen Screw M6x30 mm, Din 7991	0-140-04-08600	4	EA
14	Screw Cover for Arion Installation Bracket White (WH), Grey (GR), Black (BK)	0-140-04-003XX	2	EA
15	1 9/16" (40 mm) Galvanized Steel Internal Bottomrail Tube (Available in 19.6' 6 m)	0-154-TU-G4022	-*	FT
16	Plastic Bottomrail End Cap for 1 9/16" (40 mm) Bottomrail Tube White (W), Black (B)	0-140-04-EC04X	2	EA
17	Clear Plastic Protector Clip for 1 9/16" (40 mm) Bottomrail Tube	0-140-04-CPC40	2	EA

*The quantity per shade varies depending on the width of the shade.



ARION SYSTEM

COMPATIBLE GEAR BOXES | MÁQUINAS COMPATIBLES

PICTURE	DESCRIPTION	RATIO	MAX. WEIGHT CAPACITY	GEAR BOX WEIGHT
	<p>Arion - Atos Manual System Control - White 0-153-01-01502</p> <p>Arion - Atos Manual System Control - Black 0-153-01-015B2</p>	1:3	40 kg	460 g
	<p>Awning Gear Box 1:7 Threaded - White 0-140-07-71120</p>	1:7	91 kg	718 g
	<p>Arion - Atos Manual System Control - White 0-153-01-01501</p>	1:9	110 kg	710 g
	<p>Awning Gear Box 1:11 Long Crank - White 0-140-07-71110</p>	1:11	121 kg	781 g



ARION SYSTEM

COMPATIBLE MOTORS | MOTORES COMPATIBLES

SERIE Ø35



VTi® Celtic Electronic Limits Motor | 6 Nm
6-700-CM-35E06 (120V) | 6-700-CN-35E06 (230V)



VTi® Celtic Mechanical Limits Motor | 6 Nm
6-700-CM-35R06 (120V) | 6-700-CN-35R06 (230V)



VTi® Celtic Electronic Limits Motor | Quick Connect Whip | 6 Nm
6-700-CM-35EW6 (120V) [Cable Extension with Whips sold separately.]



VTi® Celtic Mechanical Limits Motor | Quick Connect Whip | 6 Nm
6-700-CM-35RW6 (120V) [Cable Extension with Whips sold separately.]



VTi® Celtic Electronic Limits Motor 10 Nm
6-700-CM-35E10 (120V)



VTi® Celtic Mechanical Limits - Standard Motor 6 Nm
6-700-CM-35S06 (120V) | 6-700-CN-35S06 (230V)

SERIE Ø45



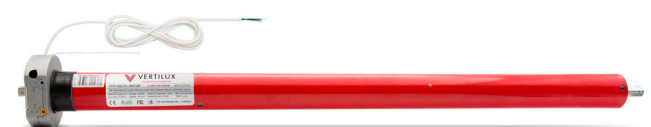
VTi® Celtic Electronic Limits Motor Ultra Quiet 6 Nm
6-700-CM-45EQ6 (120V) | 6-700-CN-45EQ6 (230V)
[Motor Plate 6-200-60-70427 is required.]



VTi® Celtic Mechanical Limits Motor | 20 Nm
6-700-CM-45R20 (120V) | 6-700-CN-45R20 (230V)



VTi® Celtic Electronic Limits Motor | 20 Nm
6-700-CM-45E20 (120V) | 6-700-CN-45E20 (230V)



VTi® Celtic Mechanical Limits | Manual Override Motor | 20 Nm
6-700-CM-45M20 *

* For this motor, items: 0-140-04-004XX & 0-140-04-005XX are NOT required.
The screws: 0-140-0400M4N must be replaced with 0-140-04-AM625

NOTE: The maximum shade size of Arion System varies depending on the weight capacity of each motor. For more information refer to the technical sheet of the motor.



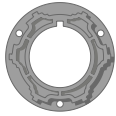

ARION SYSTEM

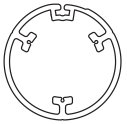
COMPATIBLE TUBES & ADAPTERS FOR MOTORIZATION
TUBOS COMPATIBLES Y ADAPTADORES PARA MOTORIZACIÓN

SERIE Ø35*






2 1/2" (63 mm) STRUCTURED ALUMINUM TUBE

CODE	DESCRIPTION	CROWN	DRIVE
0-154-TU-63011	2 1/2" (63 mm) Structured Aluminum Tube w/Recessed & Flat Channel with Tape MF 19'		
0-154-TU-63021	2 1/2" (63 mm) Structured Aluminum Tube w/Recessed & Flat Channel & no Tape MF 19'	6-700-AC-35063	6-700-AD-45063



3 1/4" (83 mm) STRUCTURED ALUMINUM TUBE

CODE	DESCRIPTION	CROWN	DRIVE	END PLUG ADAPTER
0-154-TU-83021	3 1/4" (83 mm) Structured Aluminum Tube w/Recessed & Flat Channel Mill Finish 19'			
		6-700-AC-45063	6-700-AD-45063	6-700-AZ-63083**

*Required accessory for Arion system with 35mm motors: 6-700-BR-SQ001

**2 pcs required, one on each side.

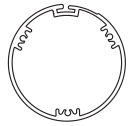


ARION SYSTEM





COMPATIBLE TUBES & ADAPTERS FOR MOTORIZATION

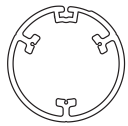
TUBOS COMPATIBLES Y ADAPTADORES PARA MOTORIZACIÓN

SERIE Ø45 | 20 Nm MOTORS



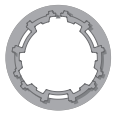


2 1/2" (63 mm) STRUCTURED ALUMINUM TUBE

CODE	DESCRIPTION	CROWN	DRIVE
0-154-TU-63011	2 1/2" (63 mm) Structured Aluminum Tube w/Recessed & Flat Channel with Tape MF 19'		
0-154-TU-63021	2 1/2" (63 mm) Structured Aluminum Tube w/Recessed & Flat Channel & no Tape MF 19'		
		6-700-AC-45063	6-700-AD-45063



3 1/4" (83 mm) STRUCTURED ALUMINUM TUBE

CODE	DESCRIPTION	CROWN	DRIVE	END PLUG ADAPTER
0-154-TU-83021	3 1/4" (83 mm) Structured Aluminum Tube w/Recessed & Flat Channel Mill Finish 19'			
		6-700-AC-45063	6-700-AD-45063	6-700-AZ-63083*

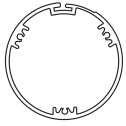
*2 pcs required, one on each side.



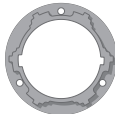


ARION SYSTEM

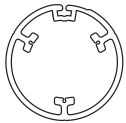
COMPATIBLE TUBES & ADAPTERS FOR MOTORIZATION
TUBOS COMPATIBLES Y ADAPTADORES PARA MOTORIZACIÓN

SERIE Ø45 | 6 Nm ULTRA QUIET MOTORS






2 1/2" (63 mm) ALUMINUM TUBE

CODE	DESCRIPTION	CROWN	DRIVE	END PLUG ADAPTER
0-154-TU-63011	2 1/2" (63 mm) Structured Aluminum Tube w/Recessed & Flat Channel with Tape MF 19'			
0-154-TU-63021	2 1/2" (63 mm) Structured Aluminum Tube w/Recessed & Flat Channel & no Tape MF 19'	6-700-AC-45063	6-700-AD-45Q63	0-156-AD-GA025



3 1/4" (83 mm) STRUCTURED ALUMINUM TUBE

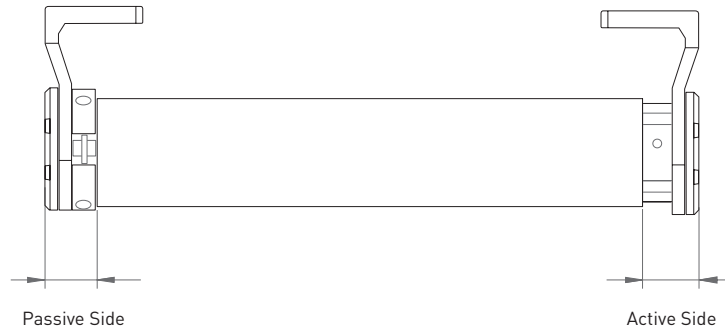
CODE	DESCRIPTION	CROWN	DRIVE	END PLUG ADAPTER
0-154-TU-83020	3 1/4" (83 mm) Structured Aluminum Tube w/Recessed & Flat Channel Mill Finish 16'			
0-154-TU-83021	3 1/4" (83 mm) Structured Aluminum Tube w/Recessed & Flat Channel Mill Finish 19'	6-700-AC-45063	6-700-AD-45Q63	0-156-AD-GA025 & 6-700-AZ-63083*

*2 pcs required, one on each side.



ARION SYSTEM

DEDUCTIONS | DEDUCCIONES



MOTORS	GUIDED		GUIDELESS	
	Active Side	Passive Side	Active Side	Passive Side
VTi® Celtic Motors Series Ø35 6-700-CX-35XXX	53.4 mm	43.0 mm	48.4 mm	38.0 mm
VTi® Celtic Motors Series Ø45 6-700-CX-45XXX	54.8 mm	43.0 mm	49.8 mm	38.0 mm
VTi® Celtic Motors Series Ø45 Manual Override 6-700-CX-45M20	50.0 mm	43.0 mm	45.0 mm	38.0 mm

GEAR BOX	GUIDED		GUIDELESS	
	Active Side	Passive Side	Active Side	Passive Side
Arion - Atos Manual System Control - White Ratio 1:3 0-153-01-015X2	60.0 mm	43.0 mm	55.9 mm	38.0 mm
Awning Gear Box Threaded White Ratio 1:7 0-140-07-71120	60.0 mm	43.0 mm	55.9 mm	38.0 mm
Arion - Atos Manual System Control - White Ratio 1:9 0-153-01-01501	60.0 mm	43.0 mm	55.9 mm	38.0 mm
Awning Gear Box Long Crank White Ratio 1:11 0-140-07-7111X	60.0 mm	43.0 mm	55.9 mm	38.0 mm

* This chart is provided as a reference for deduction calculation purposes. However, some variations are possible. Vertilux strongly recommends the validation of the specific deductions for every particular project.



VERTILUX

IDEAS FOR YOUR SPACE

1.800.356.8837

sales@vertilux.com

vertilux.com