



# VERTILUX

IDEAS FOR YOUR SPACE

## MAGNUM SYSTEM

RETRACTABLE ARMS



RETRACTABLE ARMS

MAGNUM SYSTEM



# MAGNUM SYSTEM

TECHNICAL SHEET | FICHA TÉCNICA



RETRACTABLE ARMS

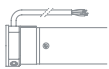
MAGNUM SYSTEM

## FEATURES

Magnum is a type of Monobloc system that is designed to support larger dimensions. Like Monobloc, it enables the user to adjust the distance between the arms by sliding their supports along the bar. This enhanced system is designed for large areas of coverage that do not need support points, creating airy and totally comfortable spaces.

Magnum can support a 7 m maximum width and a 4.5 m maximum projection with its 2 robust arms and supports, which have been certified by the European standard EN-13561.

## OPERATION OPTIONS



VTi® Celtic Motor

## APPLICATIONS



Retractable Awnings



Outdoor Use

## OPTIONAL ACCESSORIES



Front Shadow System



Telescopic Bar



# MAGNUM SYSTEM

## TECHNICAL SHEET | FICHA TÉCNICA

### TECHNICAL SPECS

<b>Maximum Width</b>	2 Arms: 21'   6 m 3 Arms: 33'   10 m 4 Arms: 43'   13 m	<b>Mounting Options</b>	Wall or Ceiling
<b>Maximum Projection</b>	14.5'   4.5 m	<b>Range of Inclination</b>	5° to 30° in Wall or Ceiling Installation
<b>Tube Diameter <math>\varnothing</math></b>	78 mm up to 6 m of width	<b>Operation Option</b>	Motor

### WIND RESISTANCE

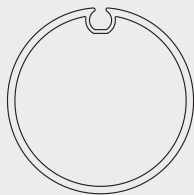
PROJECTION	WIDTH					
	4.5 m	5.0 m	5.5 m	6.0 m	6.5 m	7.0 m
3.5 m	2	2	2	2	2	2
4.0 m		2	2	2	1	1
4.5 m			1	1	1	1

CLASS 1	28 km/h
CLASS 2	38 km/h

\*Wind resistance and safety values (according to standard UNE-EN 13561:2015).

### RECOMMENDED TUBES



Up to 19.6' | 6 m of Width

3" | 78 mm

Galvanized Steel  
Grooved Tube

0-154-TU-G7821

Length: 19.6'



### MINIMUM ASSEMBLY WIDTHS (INCLUDING CAPS)

ARMS	PROJECTION		
	3.50 m	4.0 m	4.50 m
2 ARMS	4.15 m	4.63 m	5.11 m
3 ARMS	6.10 m	6.82 m	7.54 m
4 ARMS	8.05 m	9.01 m	9.97 m

### MINIMUM TORQUE FOR MOTORIZATION

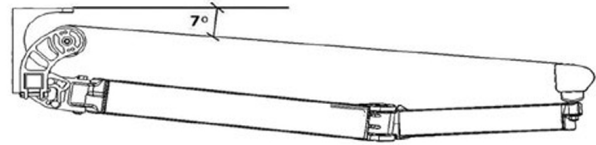
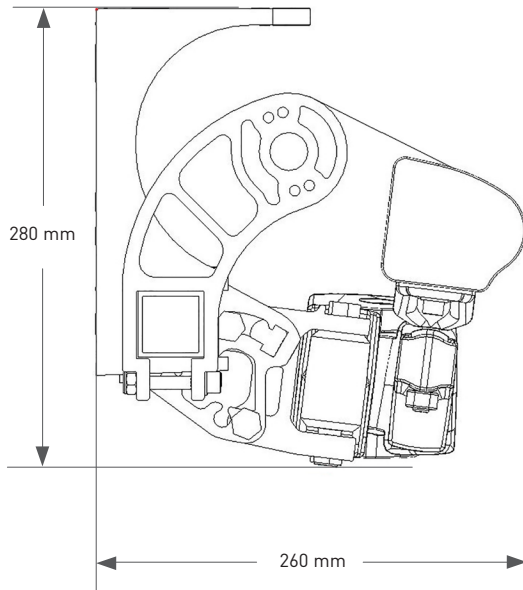
	PROJECTION		
	3.50 m	4.0 m	4.50 m
Ø 78 mm Tube			
Width Up to 6.5 m 2 Arms	1 Motor - 100 Nm	1 Motor - 100 Nm	1 Motor - 100 Nm
Width Up to 10 m 3 Arms	1 Motor - 100 Nm	1 Motor - 100 Nm	1 Motor - 100 Nm
Width Up to 13 m 4 Arms	2 Motors - 100 Nm (Synchronized)	2 Motors - 100 Nm (Synchronized)	2 Motors - 100 Nm (Synchronized)
Width Up to 13 m 5 Arms	2 Motors - 100 Nm (Synchronized)	2 Motors - 100 Nm (Synchronized)	2 Motors - 100 Nm (Synchronized)
Width Up to 13 m 6 Arms	2 Motors - 100 Nm (Synchronized)	2 Motors - 100 Nm (Synchronized)	2 Motors - 100 Nm (Synchronized)



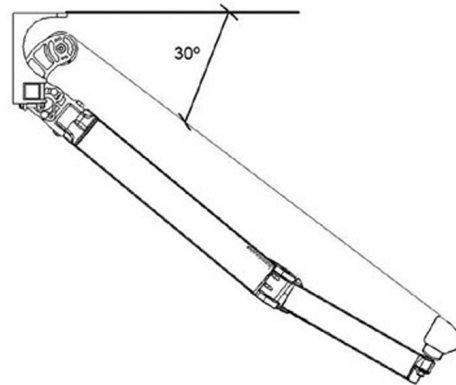
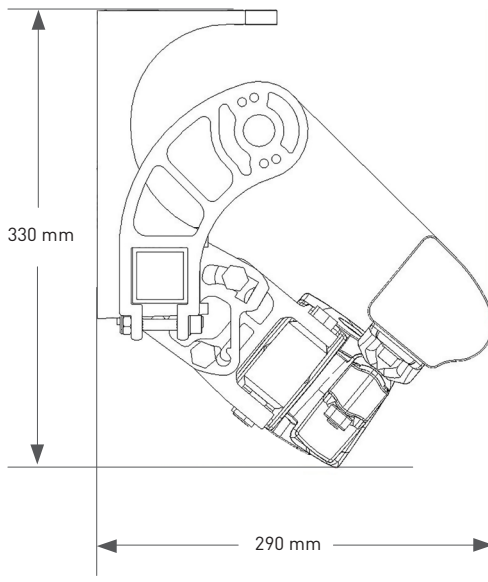
# MAGNUM SYSTEM

DIMENSIONS | DIMENSIONES

## MAGNUM ARM SUPPORTS



Adjustment at 7°



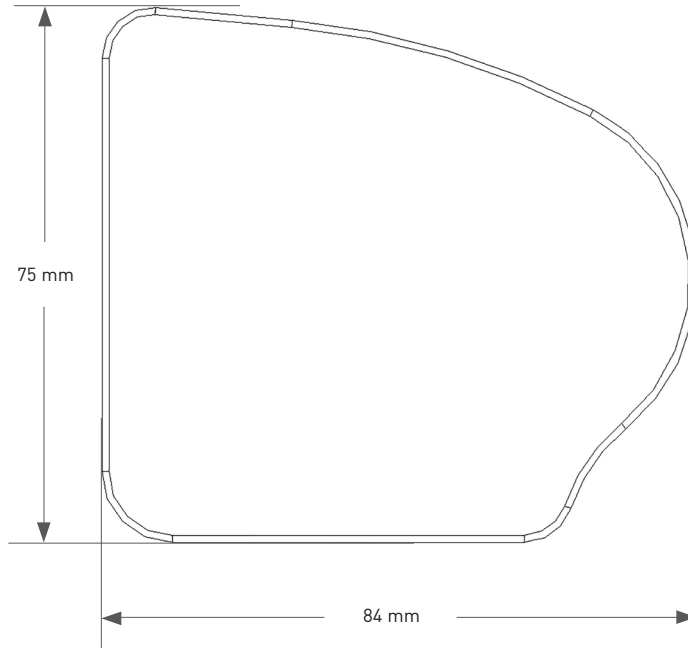
Adjustment at 30°



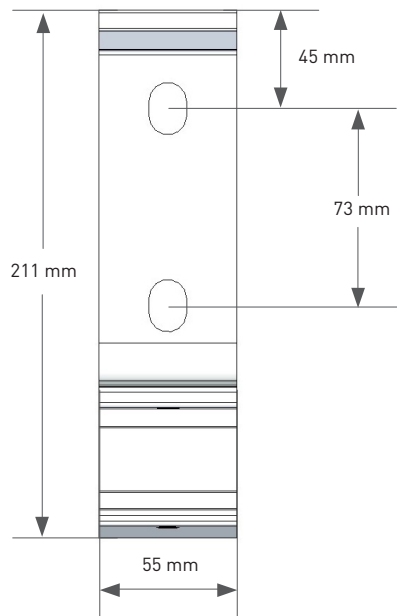
# MAGNUM SYSTEM

DIMENSIONS | DIMENSIONES

## MAGNUM ARM SUPPORTS



Load Profile



Front - Ceiling Support

MAGNUM SYSTEM

# INSTALLATION OPTIONS

OPCIONES DE INSTALACIÓN

---

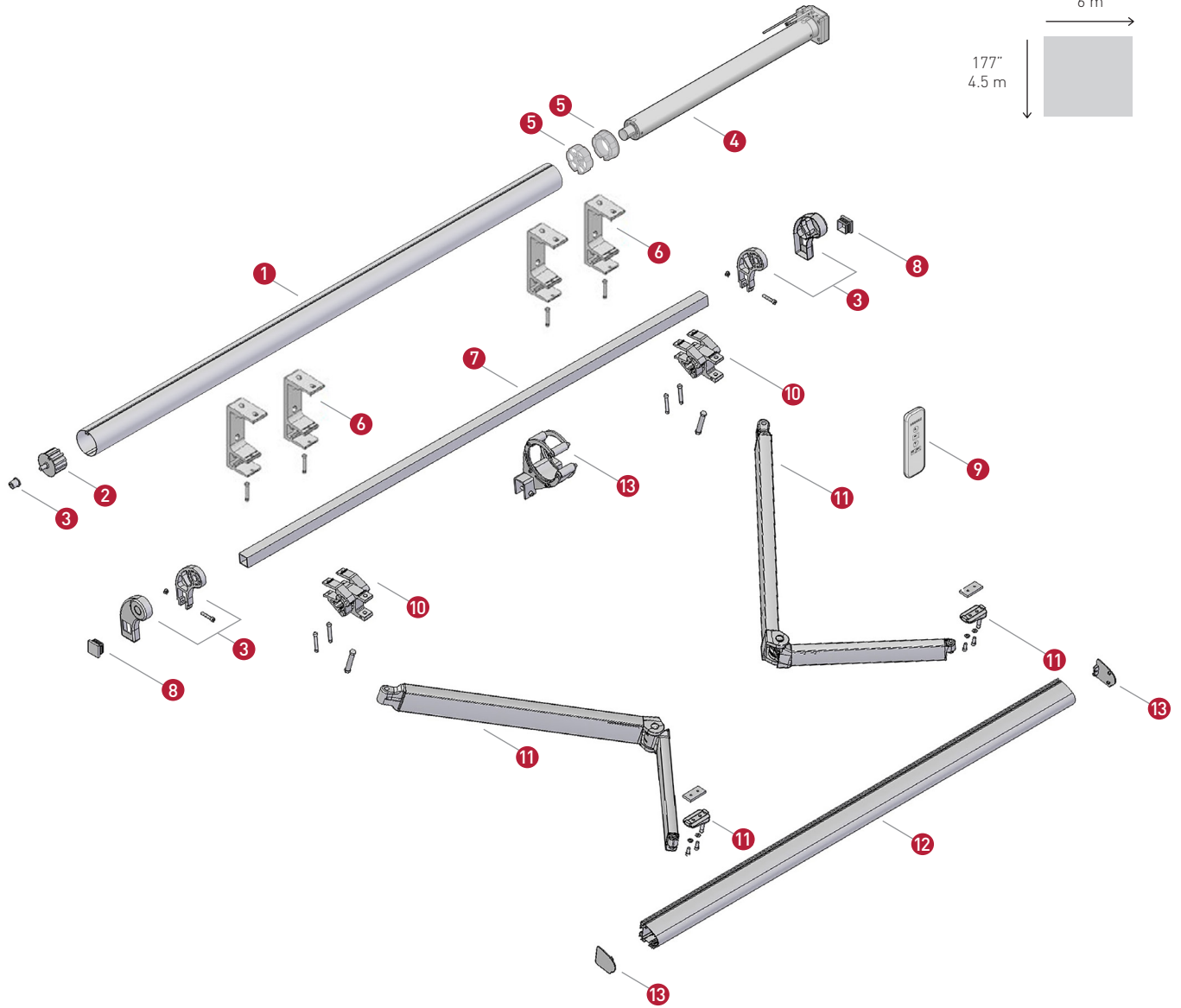
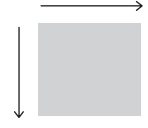


# MOTORIZED MAGNUM SYSTEM WITH 78 mm TUBE

SCHEMATIC DIAGRAM | DESPIECE DEL SISTEMA

MAXIMUM  
SHADE SIZE  
236"  
6 m

177"  
4.5 m



### DEDUCTIONS



Roller Tube	A + P =	85 mm
-------------	---------	-------





# MOTORIZED MAGNUM SYSTEM WITH 78 mm TUBE

SCHEMATIC DIAGRAM | DESPIECE DEL SISTEMA

## LEGEND | LEYENDA

NO.	DESCRIPTION	CODE	QTY	UNIT
1	3" (78 mm) Galvanized Steel Grooved Tube (Available in 19.6'   6 m)	0-154-TU-G7821	1	FT
-	6 mm Plastic Insert for 2 1/4"   60 mm, 2 3/4"   70 mm, 3"   78 mm Galvanized Tube (Not shown in the diagram)	0-140-07-79010	1	FT
2	3" (78 mm) Nylon Point (with 12 mm Round Tip Axis)	0-140-07-70325	1	EA
3	Magnum Rolling Tube Support Set - White	0-140-07-31911	1	SET
4	VTi® Celtic Mechanical Limits - Manual Override Motor   100 Nm (Multiple options available. See <i>Compatible Motors Section</i> )	6-700-CM-55M00	1	EA
5	Crown and Drive for 55 mm Motors and 3"   78 mm Tubes	6-700-AS-55M78	1	SET
-	Star Bracket	6-700-BR-STAR1	1	EA
6	Magnum Wall Ceiling Support Set - White	0-140-07-31901	1	SET
7	Iron Square Bar 40x40x3 mm - White (Available in 19.6'   6 m)	0-140-07-90867	-*	FT
8	Plastic Plug 1.5"x1.5" (40x40 mm) - White	0-140-07-30025	2	EA
-	Hand Crank Model Roma - White (Optional Accesory, not shown in the diagram) 3.2'   1.00 m (10), 4.0'   1.20 m (15), 5.0'   1.50 m (20), 5.5'   1.70 m (25), 6.5'   2.00 m (30), 7.2'   2.20 m (35), 8.2'   2.50 m (40)	0-140-07-730XX	1	EA
9	Remote Control (Multiple options available. See <i>Control Solutions Section</i> )	--	--	EA
10	Magnum Folding Arm Support Set - White	0-140-07-31891	1	EA
11	Magnum Articulated Arm Set - White 13'   4.00 m (40), 14'   4.50 m (45)	0-140-07-318XX	1	SET
12	Magnum Front Bar 19.6'   6 m - White	0-140-07-31887	1	FT
13	Magnum Front Bar Cap - White	0-140-07-31881	1	SET
14	Magnum Roller Support - White	0-140-07-31921	1	EA

\*The quantity per shade varies depending on the width of the shade.



# MAGNUM SYSTEM

COMPATIBLE MOTORS | MOTORES COMPATIBLES

SERIE Ø55

---



**VTi® Celtic Mechanical Limits | Manual Override Motor | 100 Nm**  
6-700-CM-55M00 (120V) | 6-700-CN-55M00 (230V)



**VTi® Celtic Mechanical Limits | Manual Override Standard Motor | 100 Nm**  
6-700-CN-55S00 (230V)





## MAGNUM SYSTEM

COMPATIBLE TUBES & ADAPTERS FOR MOTORIZATION  
TUBOS COMPATIBLES Y ADAPTADORES PARA MOTORIZACIÓN

SERIE Ø55



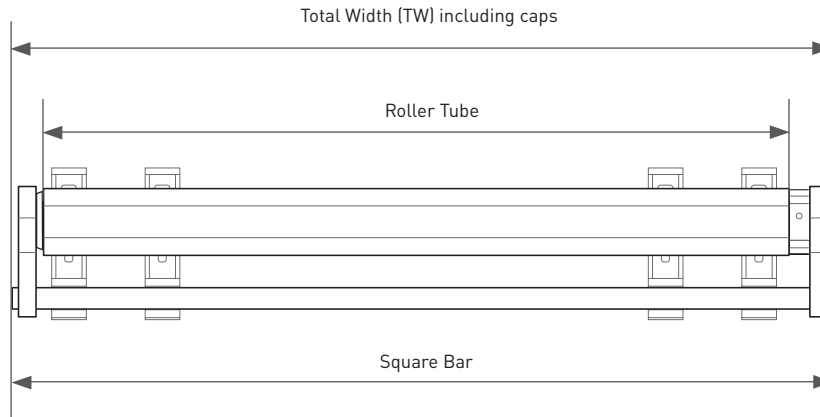
3" (78 mm) GALVANIZED STEEL GROOVED TUBE

CODE	DESCRIPTION	CROWN	DRIVE
0-154-TU-G7821	3" (78 mm) Galvanized Steel Grooved Tube (Available in 19.6'   6 m)		
Set (Crown + Drive)   6-700-AS-55M78			



# MAGNUM SYSTEM

DEDUCTIONS | DEDUCCIONES



	MOTOR
Roller Tube	= TW - 105 mm
Load Profile	= TW - 105 mm
Square Bar	= TW - 10 mm

\*TW = Total Width including caps

\*\* This chart is provided as a reference for deduction calculation purposes. However, some variations are possible. Vertilux strongly recommends the validation of the specific deductions for every particular project.



**VERTILUX**

IDEAS FOR YOUR SPACE

1.800.356.8837

[sales@vertilux.com](mailto:sales@vertilux.com)

[vertilux.com](http://vertilux.com)