



VERTILUX

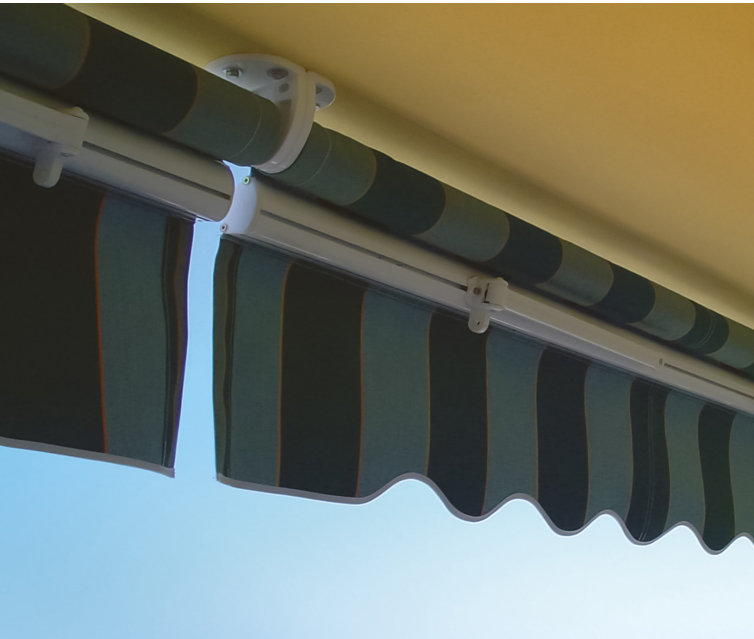
IDEAS FOR YOUR SPACE

ATOS BALCONY
SYSTEM



ATOS BALCONY SYSTEM

TECHNICAL SHEET | FICHA TÉCNICA



FEATURES

Atos Balcony System is the ideal solution for balconies. The versatility of this system allows to hold the awning in different positions, ensuring perfect protection from the sunlight and great air circulation.

Atos Balcony System is composed of heavy-duty arms, which hold the awning in an open position, making it wind and rain resistant.

APPLICATIONS



Balconies



Outdoor Use

OPERATION OPTIONS



Crank

FASTENING OPTIONS



Awning



Blind



Floor



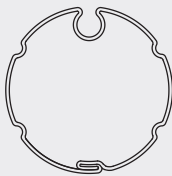
ATOS BALCONY SYSTEM

TECHNICAL SHEET | FICHA TÉCNICA

TECHNICAL SPECS

Maximum Width	19.6' 6 m	Tube Diameter \varnothing	2 $\frac{3}{4}$ " 70 mm up to 16.4' 5 m of width 3" 78 mm up to 19.6' 6 m of width
Maximum Height	16.4' 5 m	Mounting Options	Wall Ceiling
Maximum Projection	1.6' 50 cm	Fastening Options	Awning, Blind, Wall or Floor
Maximum Weight	70-110 lb 32-50 kg	Operation Option	Crank

RECOMMENDED TUBES



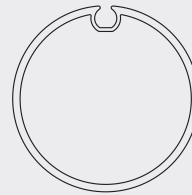
Up to 16.4' | 5 m of Width

2 $\frac{3}{4}$ " | 70 mm

Galvanized Steel
Grooved Tube

0-154-TU-G7021

Length: 19.6'



Up to 19.6' | 6 m of Width

3" | 78 mm

Galvanized Steel
Grooved Tube

0-154-TU-G7821

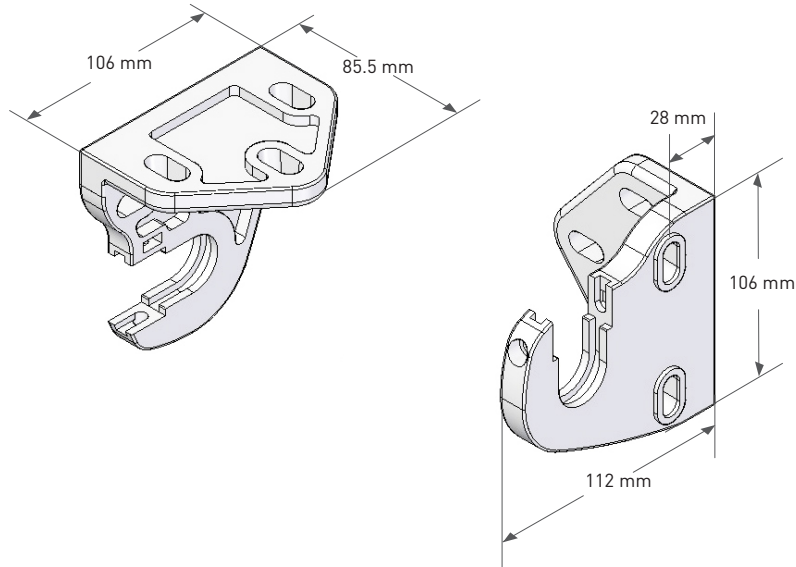
Length: 19.6'



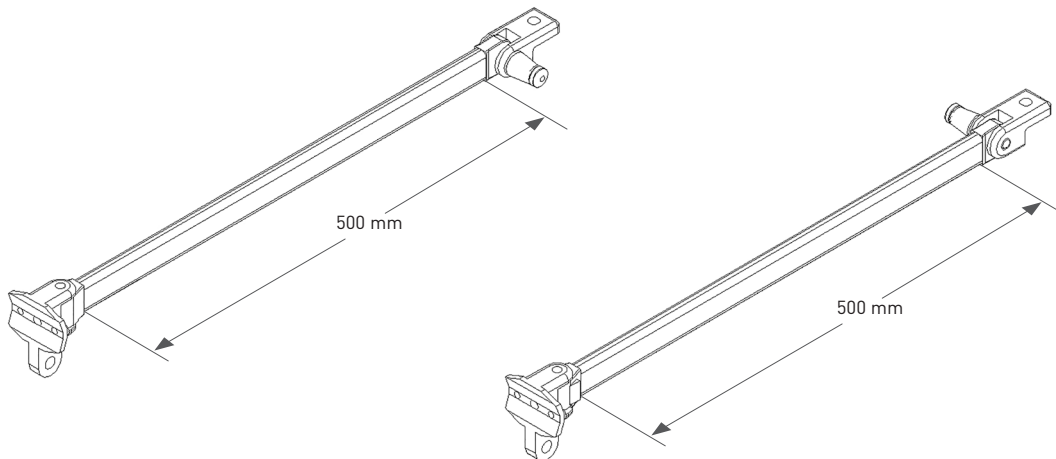
ATOS BALCONY SYSTEM

DIMENSIONS | DIMENSIONES

ATOS BRACKETS



ARMS

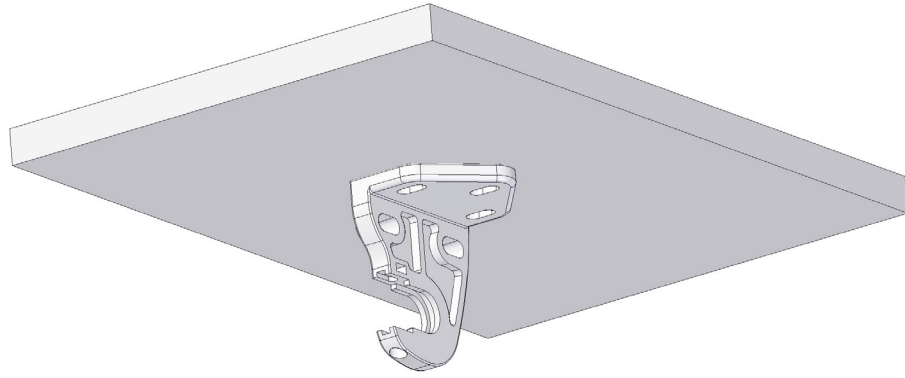




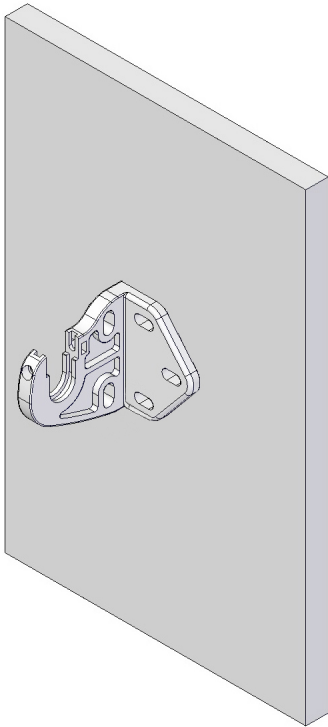
ATOS BALCONY SYSTEM

BRACKETS MOUNTING OPTIONS | OPCIONES DE MONTAJE DE SOPORTES

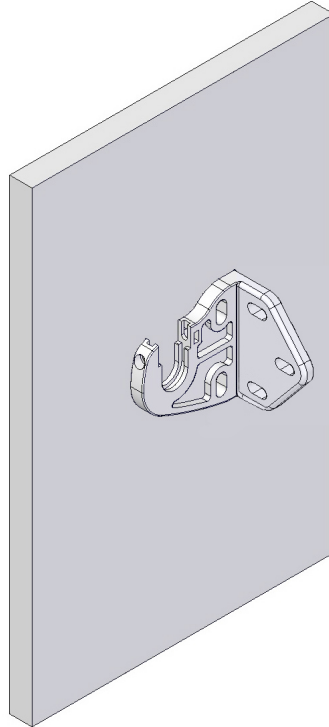
CEILING INSTALLATION



WALL INSTALLATION



SIDE WALL INSTALLATION

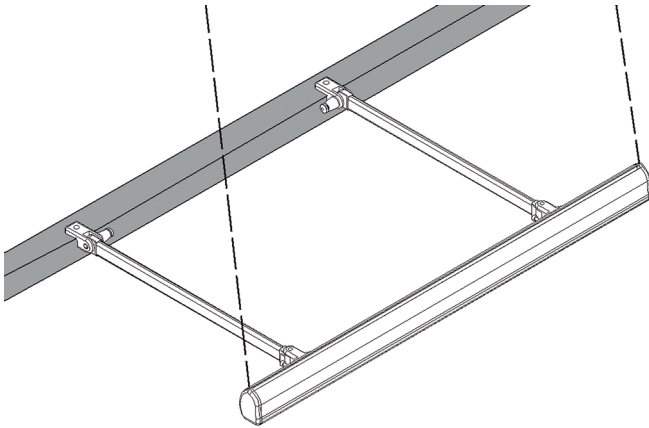




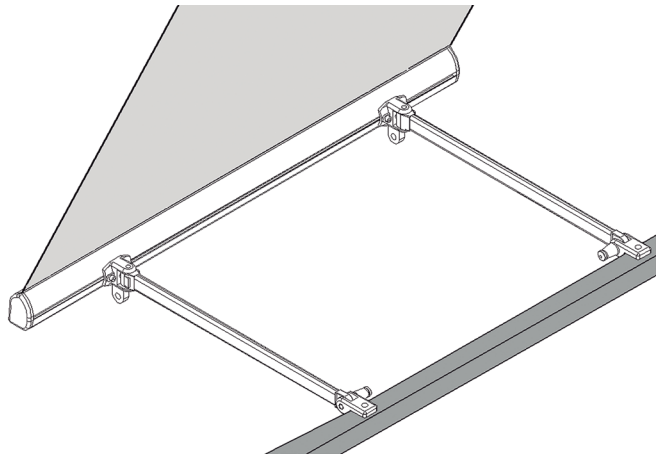
ATOS BALCONY SYSTEM

FASTENING OPTIONS | OPCIONES DE FIJACIÓN

AWNING INSTALLATION

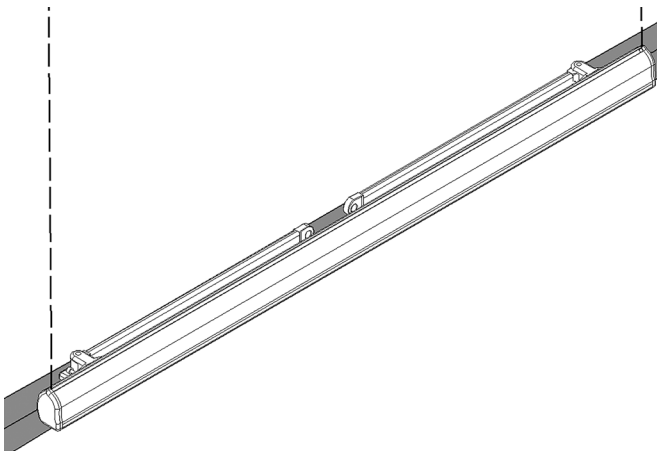


Outside View

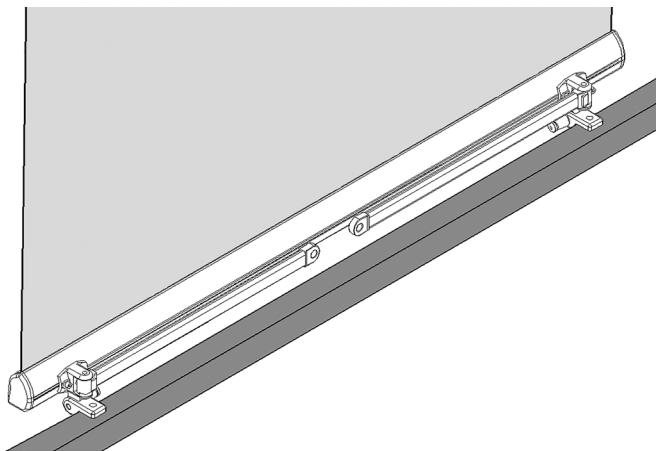


Inside View

CLOSED BLIND INSTALLATION



Outside View



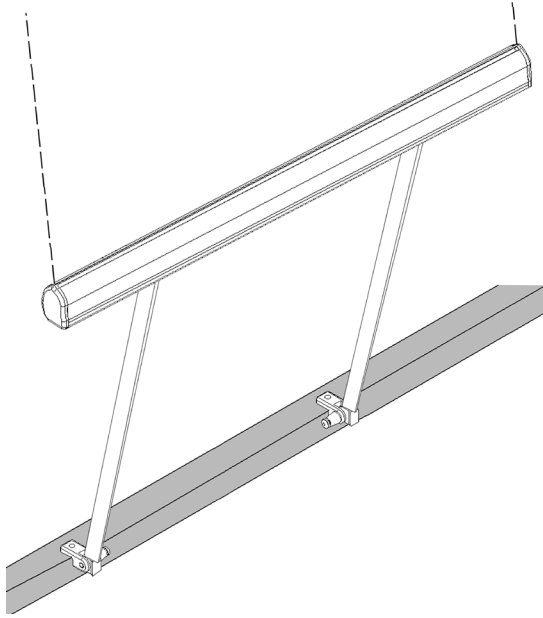
Inside View



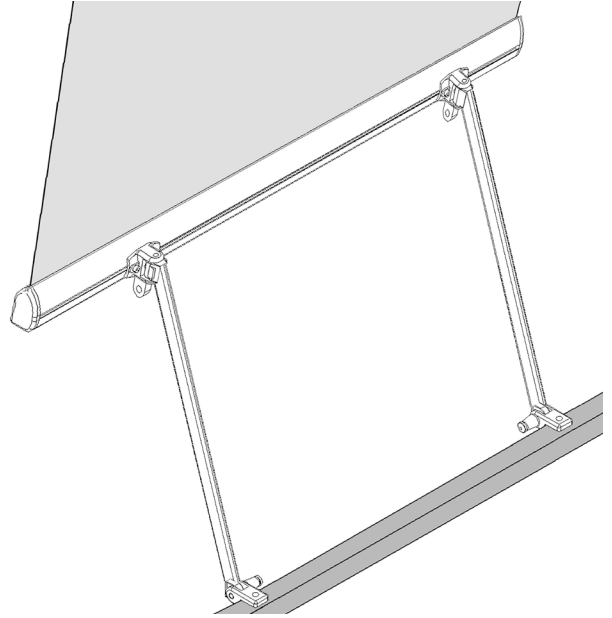
ATOS BALCONY SYSTEM

FASTENING OPTIONS | OPCIONES DE FIJACIÓN

OPEN BLIND INSTALLATION



Outside View



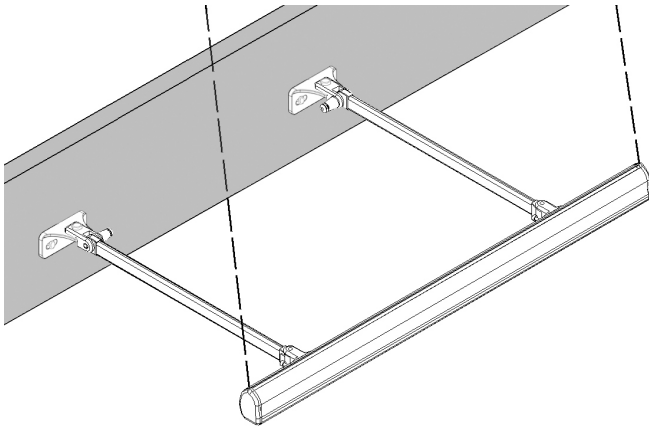
Inside View



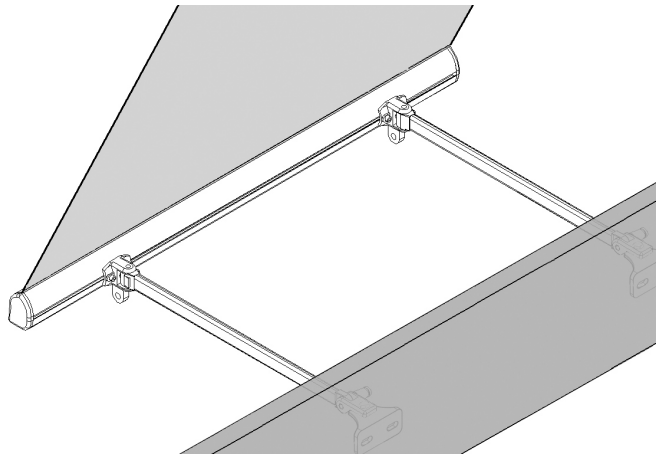
ATOS BALCONY SYSTEM

FASTENING OPTIONS | OPCIONES DE FIJACIÓN

OPEN WALL INSTALLATION

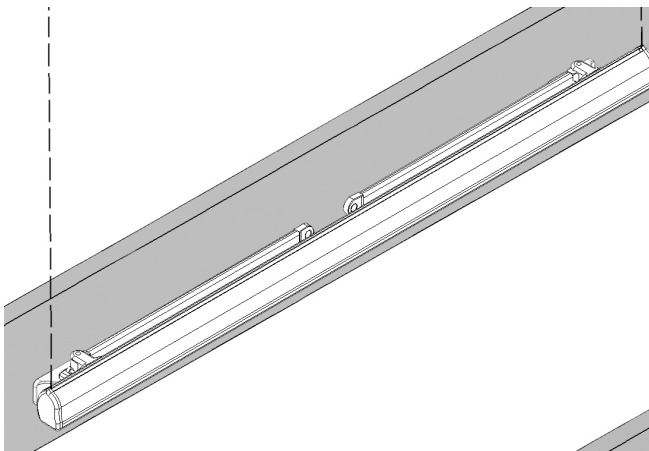


Outside View

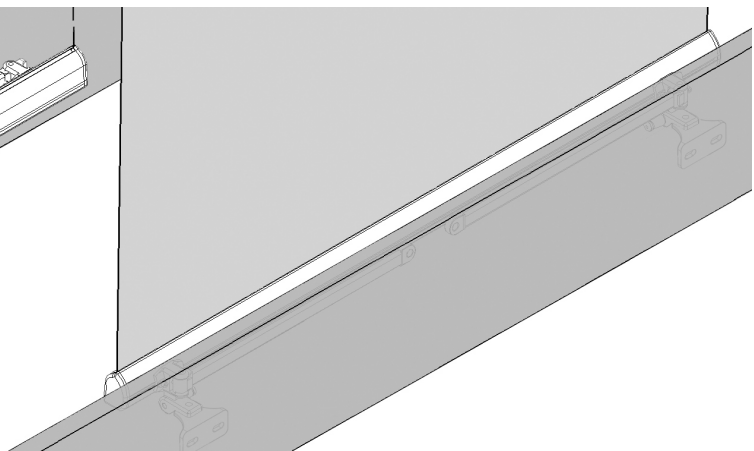


Inside View

CLOSED WALL INSTALLATION



Outside View



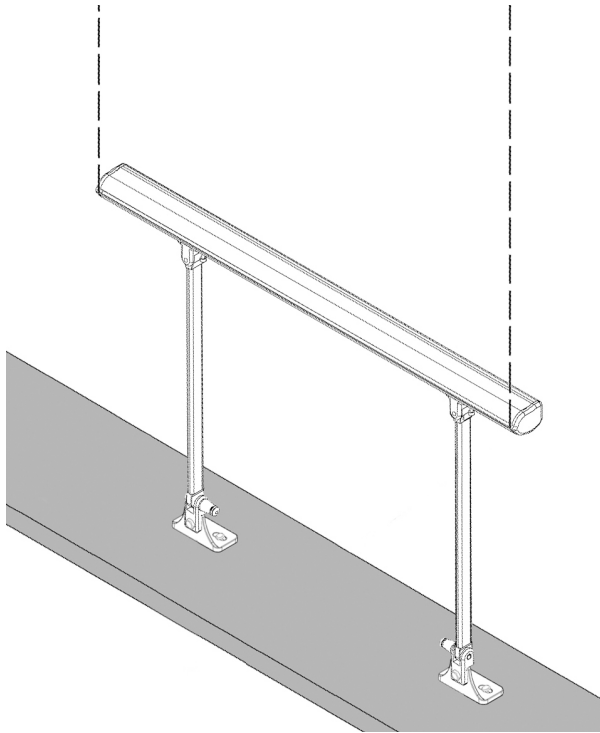
Inside View



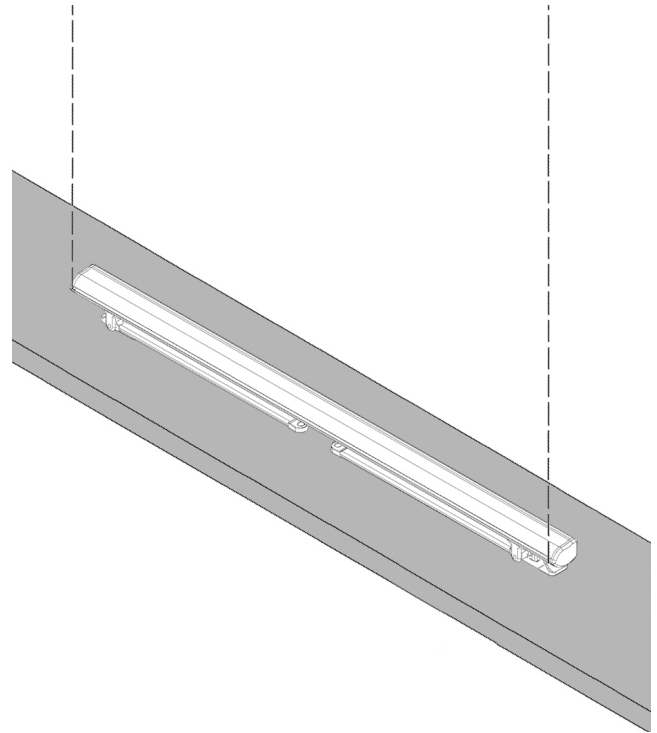
ATOS BALCONY SYSTEM

FASTENING OPTIONS | OPCIONES DE FIJACIÓN

FLOOR INSTALLATION



Open



Closed

ATOS BALCONY SYSTEM

INSTALLATION OPTIONS

OPCIONES DE INSTALACIÓN



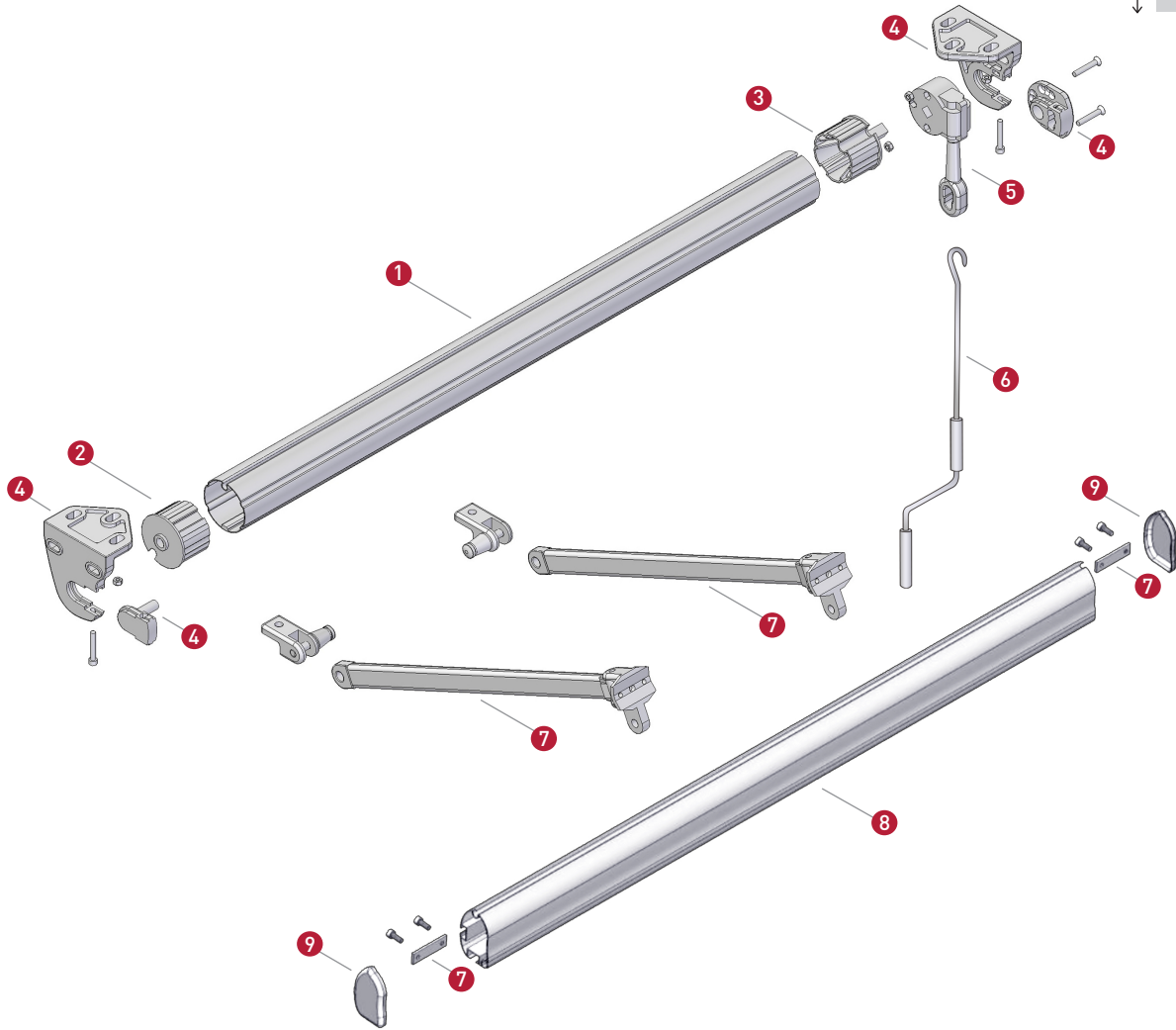
MANUAL ATOS BALCONY SYSTEM WITH 70 mm TUBE

SCHEMATIC DIAGRAM | DESPIECE DEL SISTEMA

MAXIMUM SHADE SIZE

197"
5 m

197"
5 m



DEDUCTIONS



Passive Side (P)

Active Side (A)

Active Side	Passive Side	Total
63.9 mm	26.2 mm	90.1 mm



MANUAL ATOS BALCONY SYSTEM WITH 70 mm TUBE

SCHEMATIC DIAGRAM | DESPIECE DEL SISTEMA

LEGEND | LEYENDA

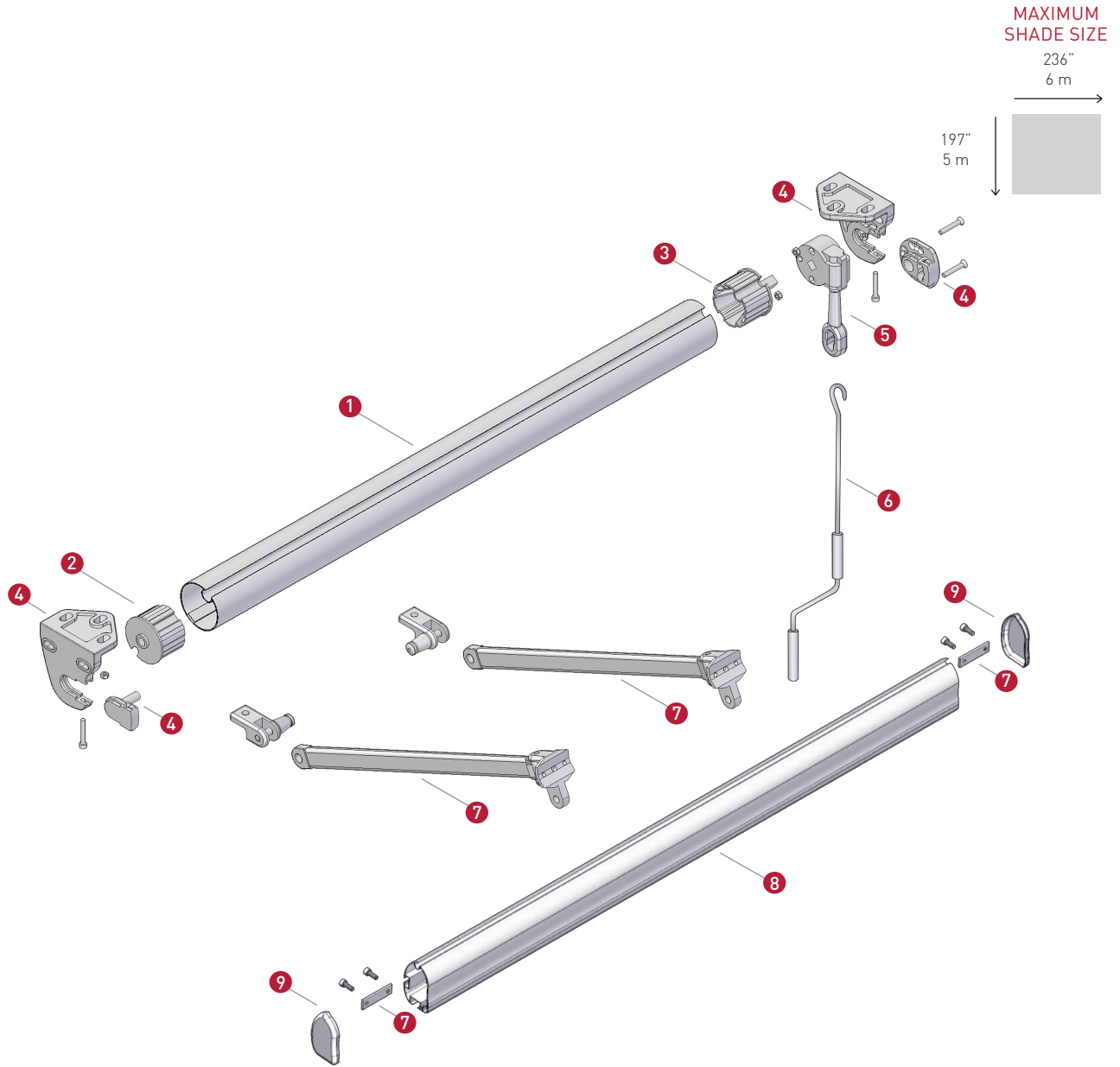
NO.	DESCRIPTION	CODE	QTY	UNIT
1	2 ¾" (70 mm) Galvanized Steel Grooved Tube (Available in 19.6' 6 m)	0-154-TU-G7021	-*	FT
-	6 mm Plastic Insert for 2 ¼" 60 mm, 2 ¾" 70 mm, 3" 78 mm Galvanized Tube (Not shown in the diagram)	0-140-07-79010	-*	FT
2	2 ¾" (70 mm) Nylon Point (without Axis)	0-140-07-70315	1	EA
3	2 ¾" (70 mm) Nylon Gear Box Holder	0-140-07-70330	1	EA
4	Atos Support Set - White	0-140-07-50030	1	SET
5	Gear Box 1:7 Threaded - White (Multiple options available. See Gear Box Section)	0-140-07-71120	1	EA
6	Hand Crank Model Roma - White 3.2' 1.00 m (10), 4.0' 1.20 m (15), 5.0' 1.50 m (20), 5.5' 1.70 m (25), 6.5' 2.00 m (30), 7.2' 2.20 m (35), 8.2' 2.50 m (40)	0-140-07-730XX	1	EA
7	Stor Arm Set White (Max. Projection 1.6' 0.50 m)	0-140-07-51010	1	SET
8	Straight Profile PU5 - White (Available in 19.6' 6 m)	0-140-00-00020	-*	FT
9	Plastic End Caps for PU5 Profile	0-140-00-00023	1	SET
-	Stor Wall Support (Use only for wall/floor fastening option)	0-140-07-50045	2	EA

*The quantity per shade varies depending on the width of the shade.



MANUAL ATOS BALCONY SYSTEM WITH 78 mm TUBE

SCHEMATIC DIAGRAM | DESPIECE DEL SISTEMA



DEDUCTIONS



Passive Side (P)

Active Side (A)

Active Side	Passive Side	Total
63.9 mm	26.2 mm	90.1 mm



MANUAL ATOS BALCONY SYSTEM WITH 78 mm TUBE

SCHEMATIC DIAGRAM | DESPIECE DEL SISTEMA

LEGEND | LEYENDA

NO.	DESCRIPTION	CODE	QTY	UNIT
1	3" (78 mm) Galvanized Steel Grooved Tube (Available in 19.6' 6 m)	0-154-TU-G7821	-*	FT
-	6 mm Plastic Insert for 2 1/4" 60 mm, 2 3/4" 70 mm, 3" 78 mm Galvanized Tube (Not shown in the diagram)	0-140-07-79010	-*	FT
2	3" (78 mm) Nylon Point (without Axis)	0-140-07-70320	1	EA
3	Aluminum 3" (78 mm) Gear Box Holder	0-140-07-70310	1	EA
4	Atos Support Set - White	0-140-07-50030	1	SET
5	Gear Box 1:7 Threaded - White (Multiple options available. See Gear Box Section)	0-140-07-71120	1	EA
6	Hand Crank Model Roma - White 3.2' 1.00 m (10), 4.0' 1.20 m (15), 5.0' 1.50 m (20), 5.5' 1.70 m (25), 6.5' 2.00 m (30), 7.2' 2.20 m (35), 8.2' 2.50 m (40)	0-140-07-730XX	1	EA
7	Stor Arm Set White (Max. Projection 1.6' 0.50 m)	0-140-07-51010	1	SET
8	Straight Profile PU5 - White (Available in 19.6' 6 m)	0-140-00-00020	-*	FT
9	Plastic End Caps for PU5 Profile	0-140-00-00023	1	SET
-	Stor Wall Support (Use only for wall/floor fastening option)	0-140-07-50045	2	EA

*The quantity per shade varies depending on the width of the shade.



ATOS BALCONY SYSTEM

COMPATIBLE GEAR BOXES | MÁQUINAS COMPATIBLES

PICTURE	DESCRIPTION	RATIO	MAX. WEIGHT CAPACITY	GEAR BOX WEIGHT
	Awning Gear Box 1:7 Threaded - White 0-140-07-71120	1:7	91 kg	718 g
	Awning Gear Box 1:9 Long Crank - White 0-140-07-71909	1:9	110 kg	710 g
	Awning Gear Box 1:11 Long Crank - White 0-140-07-71110	1:11	121 kg	781 g



ATOS BALCONY SYSTEM

DEDUCTIONS | DEDUCCIONES



GEAR BOX	Active Side	Passive Side
Awning Gear Box Threaded White Ratio 1:7 0-140-07-71120	63.9 mm	26.2 mm
Arion - Atos Manual System Control - White Ratio 1:9 0-153-01-01501	63.9 mm	26.2 mm
Awning Gear Box Long Crank White Ratio 1:11 0-140-07-7111X	63.9 mm	26.2 mm

* This chart is provided as a reference for deduction calculation purposes. However, some variations are possible. Vertilux strongly recommends the validation of the specific deductions for every particular project.



VERTILUX

IDEAS FOR YOUR SPACE

1.800.356.8837

sales@vertilux.com

vertilux.com