



# VERTILUX

IDEAS FOR YOUR SPACE

## BASIC ARM SYSTEM

RETRACTABLE ARMS



# BASIC ARM SYSTEM

TECHNICAL SHEET | FICHA TÉCNICA



## FEATURES

The Basic Arm System is designed to be used mainly for awnings installed on balconies, façades, windows, etc.

Its arms have an incorporated tension system by means of springs with rectified compressing coil and a stainless steel chain.

## APPLICATIONS



Retractable Awnings

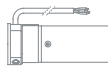


Outdoor Use

## OPERATION OPTIONS



Crank



VTi® Celtic Motor



# BASIC ARM SYSTEM

## TECHNICAL SHEET | FICHA TÉCNICA

### TECHNICAL SPECS

<b>Maximum Width</b>	2 Arms: 20'   6 m	<b>Tube Diameter <math>\varnothing</math></b>	2 <sup>3</sup> / <sub>4</sub> "   70 mm up to 16.4'   5 m of width 3"   78 mm up to 19.6'   6 m of width
<b>Maximum Projection</b>	5.3'   1.6 m (tensed)	<b>Mounting Options</b>	Wall or Ceiling
		<b>Operation Option</b>	Crank or Motor

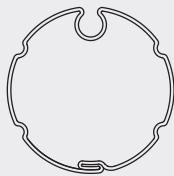
### WIND RESISTANCE

PROJECTION	WIDTH									
	1.5 m	2.0 m	2.5 m	3.0 m	3.5 m	4.0 m	4.5 m	5.0 m	5.5 m	6.0 m
0.8 m	2	2	2	2	2	2	2	2	2	2
1.0 m	2	2	2	2	2	2	2	2	2	2
1.2 m	2	2	2	2	2	2	2	2	1	1
1.4 m	2	2	2	2	2	2	1	1	1	1
1.6 m	2	2	2	2	1	1	1	1	1	1

<b>CLASS 1</b>	28 km/h
<b>CLASS 2</b>	38 km/h

\*Wind resistance and safety values [according to standard UNE-EN 13561:2015].

### RECOMMENDED TUBES



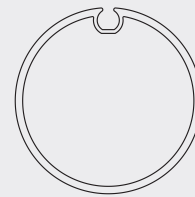
Up to 16.4' | 5 m of Width

2<sup>3</sup>/<sub>4</sub>" | 70 mm

Galvanized Steel  
Grooved Tube

0-154-TU-G7021

Length: 19.6'



Up to 19.6' | 6 m of Width

3" | 78 mm

Galvanized Steel  
Grooved Tube

0-154-TU-G7821

Length: 19.6'



# BASIC ARM SYSTEM

TECHNICAL SHEET | FICHA TÉCNICA

## MINIMUM TORQUE FOR MOTORIZATION

---

	PROJECTION					
	0.8 m	1.0 m	1.1 m	1.2 m	1.4 m	1.6 m
Ø 70 mm Tube						
Width Up to 5 m 2 Arms	20 Nm	20 Nm	20 Nm	20 Nm	20 Nm	20 Nm
Ø 80 mm Tube						
Width Up to 6 m 2 Arms	20 Nm	20 Nm	20 Nm	20 Nm	20 Nm	20 Nm

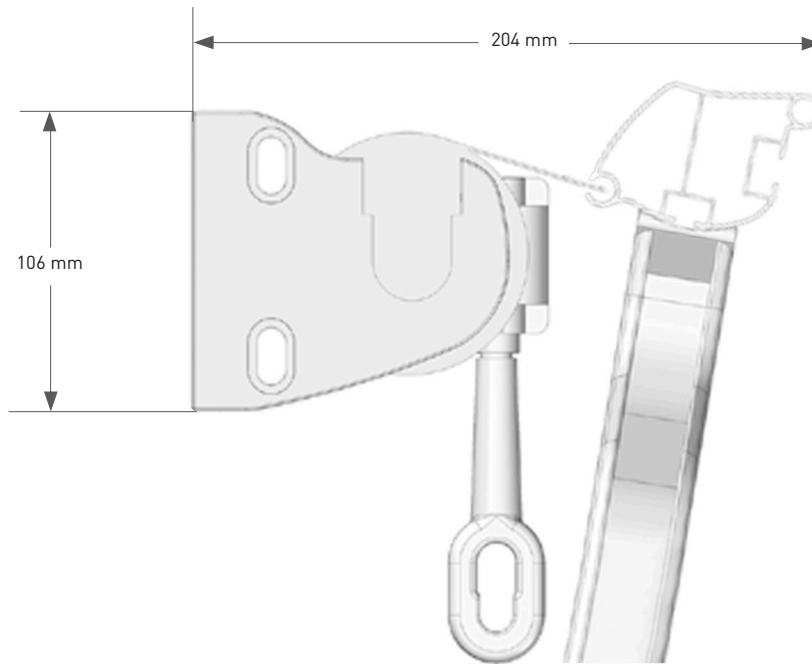
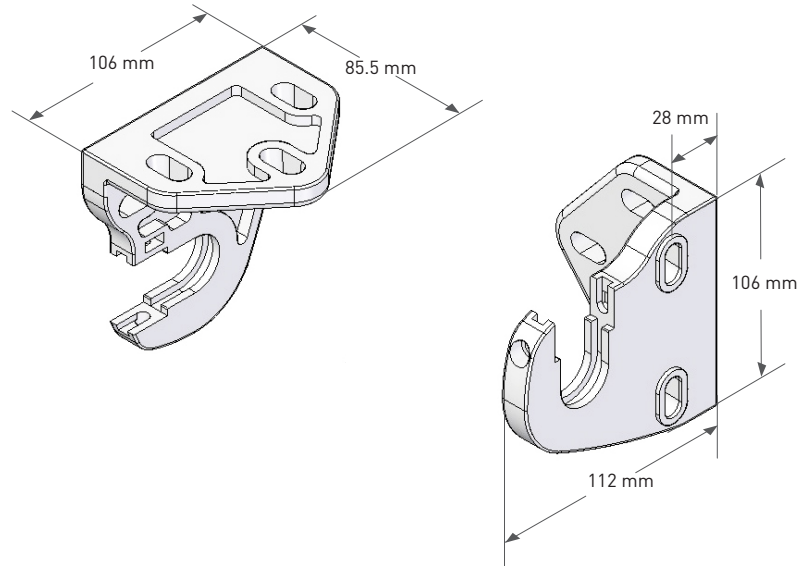


# BASIC ARM SYSTEM

DIMENSIONS | DIMENSIONES

## ATOS BRACKETS

---



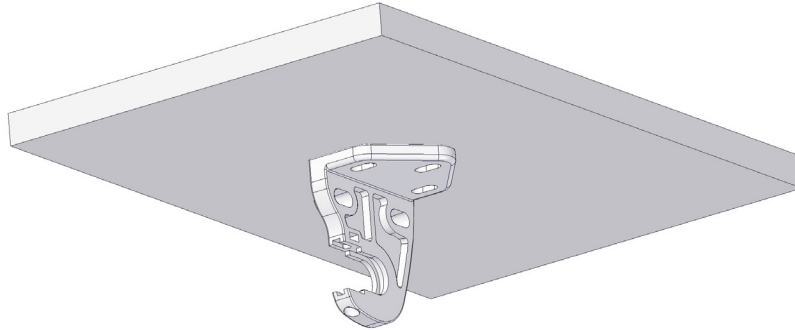


# BASIC ARM SYSTEM

BRACKETS MOUNTING OPTIONS | OPCIONES DE MONTAJE DE SOPORTES

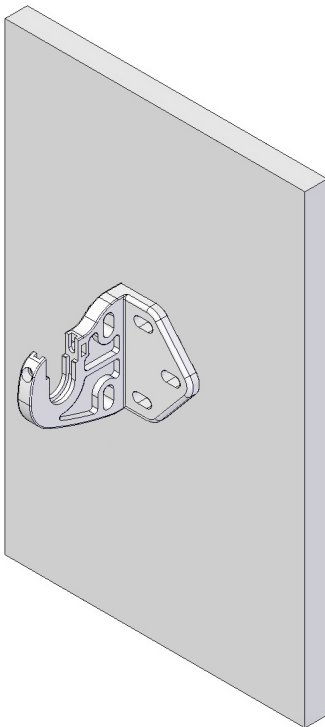
## CEILING INSTALLATION

---



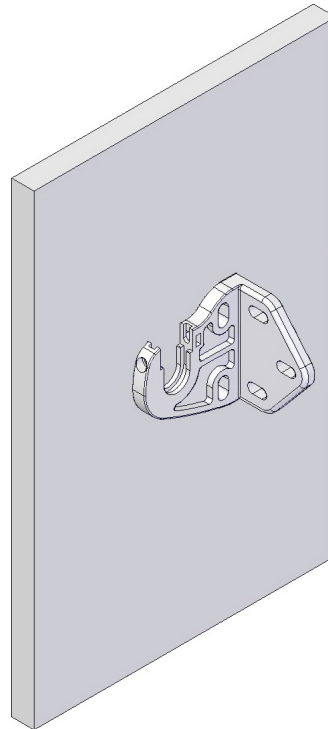
## WALL INSTALLATION

---



## SIDE WALL INSTALLATION

---



BASIC ARM SYSTEM

# INSTALLATION OPTIONS

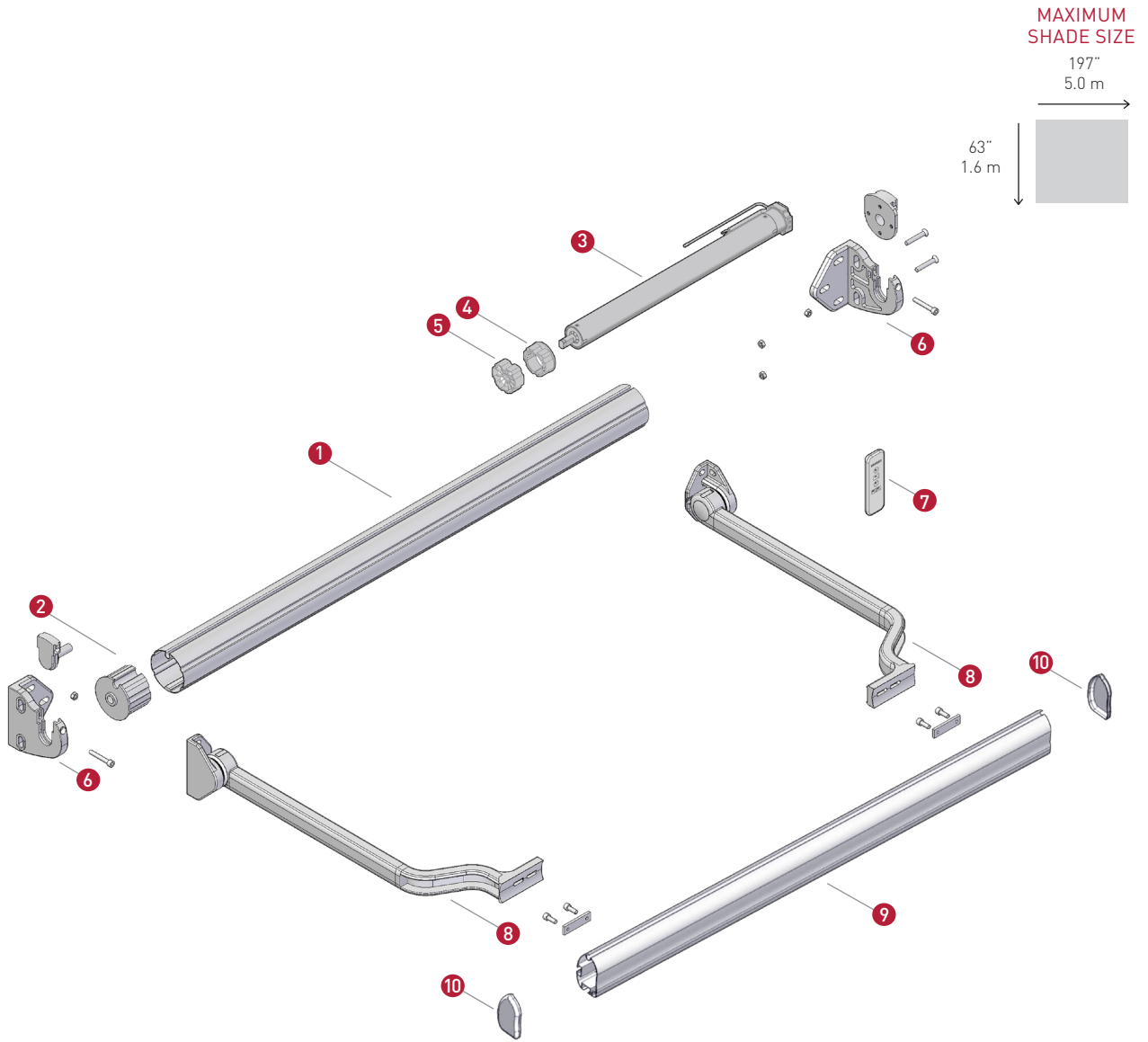
OPCIONES DE INSTALACIÓN



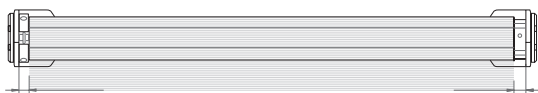


# MOTORIZED ECO BASIC ARM SYSTEM WITH 70 mm TUBE

SCHEMATIC DIAGRAM | DESPIECE DEL SISTEMA



### DEDUCTIONS



Passive Side (P)

Active Side (A)



Roller Tube

A + P =

80 mm





# MOTORIZED ECO BASIC ARM SYSTEM WITH 70 mm TUBE

SCHEMATIC DIAGRAM | DESPIECE DEL SISTEMA

## LEGEND | LEYENDA

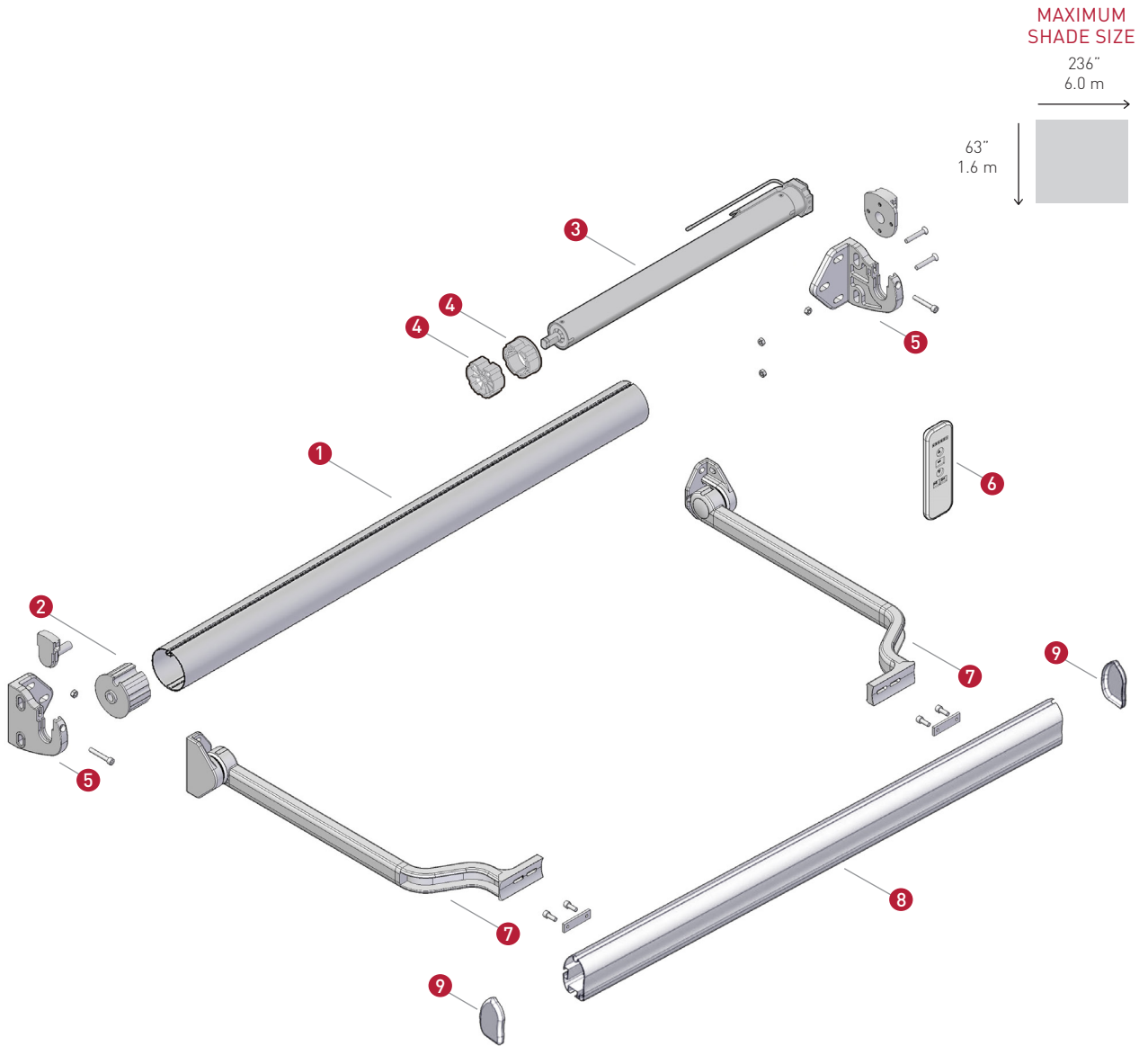
NO.	DESCRIPTION	CODE	QTY	UNIT
1	2 3/4" (70 mm) Galvanized Steel Grooved Tube (Available in 19.6'   6 m)	0-154-TU-G7021	-*	FT
-	6 mm Plastic Insert for 2 1/4"   60 mm, 2 3/4"   70 mm, 3"   78 mm Galvanized Tube (Not shown in the diagram)	0-140-07-79010	-*	FT
2	2 3/4" (70 mm) Nylon Point (without Axis)	0-140-07-70315	1	EA
3	VTi® Celtic Electronic Limits Motor   20 Nm (Multiple options available. See <i>Compatible Motors Section</i> )	6-700-CM-45E20	1	EA
4	Crown for 45 mm Motors and 2 3/4"   70mm Tubes	6-700-AC-DH570	--	EA
5	Drive for 45 mm "A" Shaft Motors and 2 3/4"   70mm Tubes	6-700-AD-DL570	--	EA
6	Atos Support Set - White	0-140-07-50030	1	SET
7	Remote Control (Multiple options available. See <i>Control Solutions Section</i> )	--	--	EA
8	Elbowed Arm Set with Tension Max. Proj. - White 2.6'   0.80 m (10), 3.2'   1.00 m (15), 3.9'   1.20 m (20), 4.6'   1.40 m (25), 5.2'   1.60 m (30)	0-140-07-522XX	1	SET
9	Straight Profile PU5 - White (Available in 19.6'   6 m)	0-140-00-00020	1	FT
10	Plastic End Caps for PU5 Profile	0-140-00-00023	1	SET

\*The quantity per shade varies depending on the width of the shade.

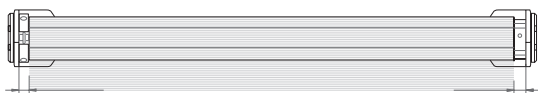


# MOTORIZED ECO BASIC ARM SYSTEM WITH 78 mm TUBE

SCHEMATIC DIAGRAM | DESPIECE DEL SISTEMA



DEDUCTIONS



Passive Side (P)

Active Side (A)





# MOTORIZED ECO BASIC ARM SYSTEM WITH 78 mm TUBE

SCHEMATIC DIAGRAM | DESPIECE DEL SISTEMA

## LEGEND | LEYENDA

NO.	DESCRIPTION	CODE	QTY	UNIT
1	3" (78 mm) Galvanized Steel Grooved Tube (Available in 19.6'   6 m)	0-154-TU-G7821	-*	FT
-	6 mm Plastic Insert for 2 1/4"   60 mm, 2 3/4"   70 mm, 3"   78 mm Galvanized Tube (Not shown in the diagram)	0-140-07-79010	-*	FT
2	3" (78 mm) Nylon Point (without Axis)	0-140-07-70320	1	EA
3	VTi® Celtic Electronic Limits Motor   20 Nm (Multiple options available. See <i>Compatible Motors Section</i> )	6-700-CM-45E20	1	EA
4	Crown and Drive for 45 mm Motors and 3"   78 mm Tubes (Set pieces are available for purchase separately)	6-700-AS-45078	--	EA
5	Atos Support Set - White	0-140-07-50030	1	SET
6	Remote Control (Multiple options available. See <i>Control Solutions Section</i> )	--	--	EA
7	Elbowed Arm Set with Tension Max. Proj. - White (2.6'   0.80 m (10), 3.2'   1.00 m (15), 3.9'   1.20 m (20), 4.6'   1.40 m (25), 5.2'   1.60 m (30))	0-140-07-522XX	1	SET
8	Straight Profile PU5 - White (Available in 19.6'   6 m)	0-140-00-00020	1	FT
9	Plastic End Caps for PU5 Profile	0-140-00-00023	1	SET

\*The quantity per shade varies depending on the width of the shade.

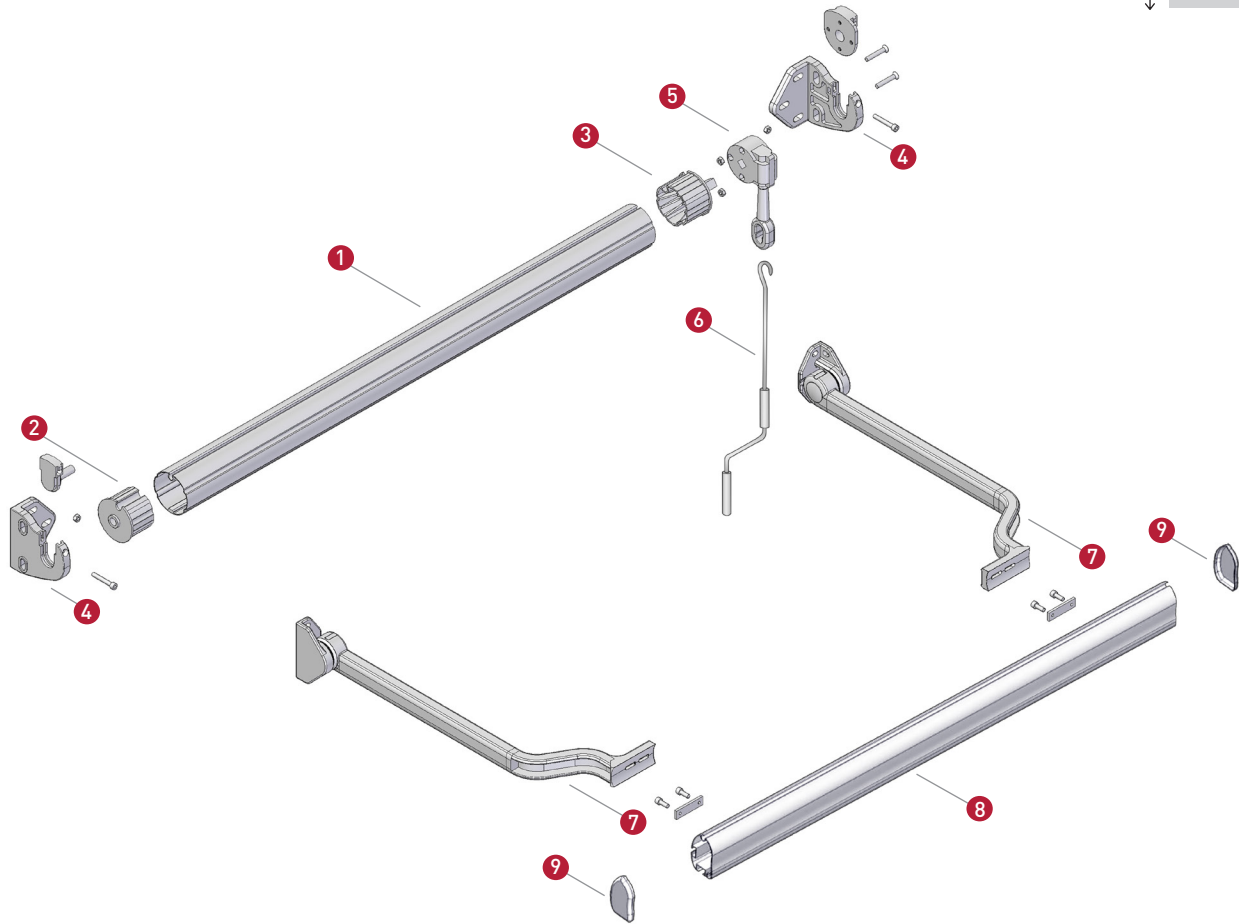
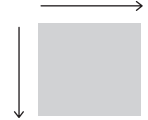


# MANUAL ECO BASIC ARM SYSTEM WITH 70 mm TUBE

SCHEMATIC DIAGRAM | DESPIECE DEL SISTEMA

MAXIMUM  
SHADE SIZE  
197"  
5.0 m

63"  
1.6 m



### DEDUCTIONS



Passive Side (P)

Active Side (A)





# MANUAL ECO BASIC ARM SYSTEM WITH 70 mm TUBE

## SCHEMATIC DIAGRAM | DESPIECE DEL SISTEMA

### LEGEND | LEYENDA

NO.	DESCRIPTION	CODE	QTY	UNIT
1	2 3/4" (70 mm) Galvanized Steel Grooved Tube (Available in 19.6'   6 m)	0-154-TU-G7021	-*	FT
-	6 mm Plastic Insert for 2 1/4"   60 mm, 2 3/4"   70 mm, 3"   78 mm Galvanized Tube (Not shown in the diagram)	0-140-07-79010	-*	FT
2	2 3/4" (70 mm) Nylon Point (without Axis)	0-140-07-70315	1	EA
3	2 3/4" (70 mm) Nylon Gear Box Holder	0-140-07-70330	1	EA
4	Atos Support Set - White	0-140-07-50030	1	SET
5	Gear Box 1:7 Threaded - White (Multiple options available. See Gear Box Section)	0-140-07-71120	1	EA
6	Hand Crank Model Roma - White 3.2'   1.00 m (10), 4.0'   1.20 m (15), 5.0'   1.50 m (20), 5.5'   1.70 m (25), 6.5'   2.00 m (30), 7.2'   2.20 m (35), 8.2'   2.50 m (40)	0-140-07-730XX	1	EA
7	Elbowed Arm Set with Tension Max. Proj. - White 2.6'   0.80 m (10), 3.2'   1.00 m (15), 3.9'   1.20 m (20), 4.6'   1.40 m (25), 5.2'   1.60 m (30)	0-140-07-522XX	1	SET
8	Straight Profile PU5 - White (Available in 19.6'   6 m)	0-140-00-00020	1	FT
9	Plastic End Caps for PU5 Profile	0-140-00-00023	1	SET

\*The quantity per shade varies depending on the width of the shade.

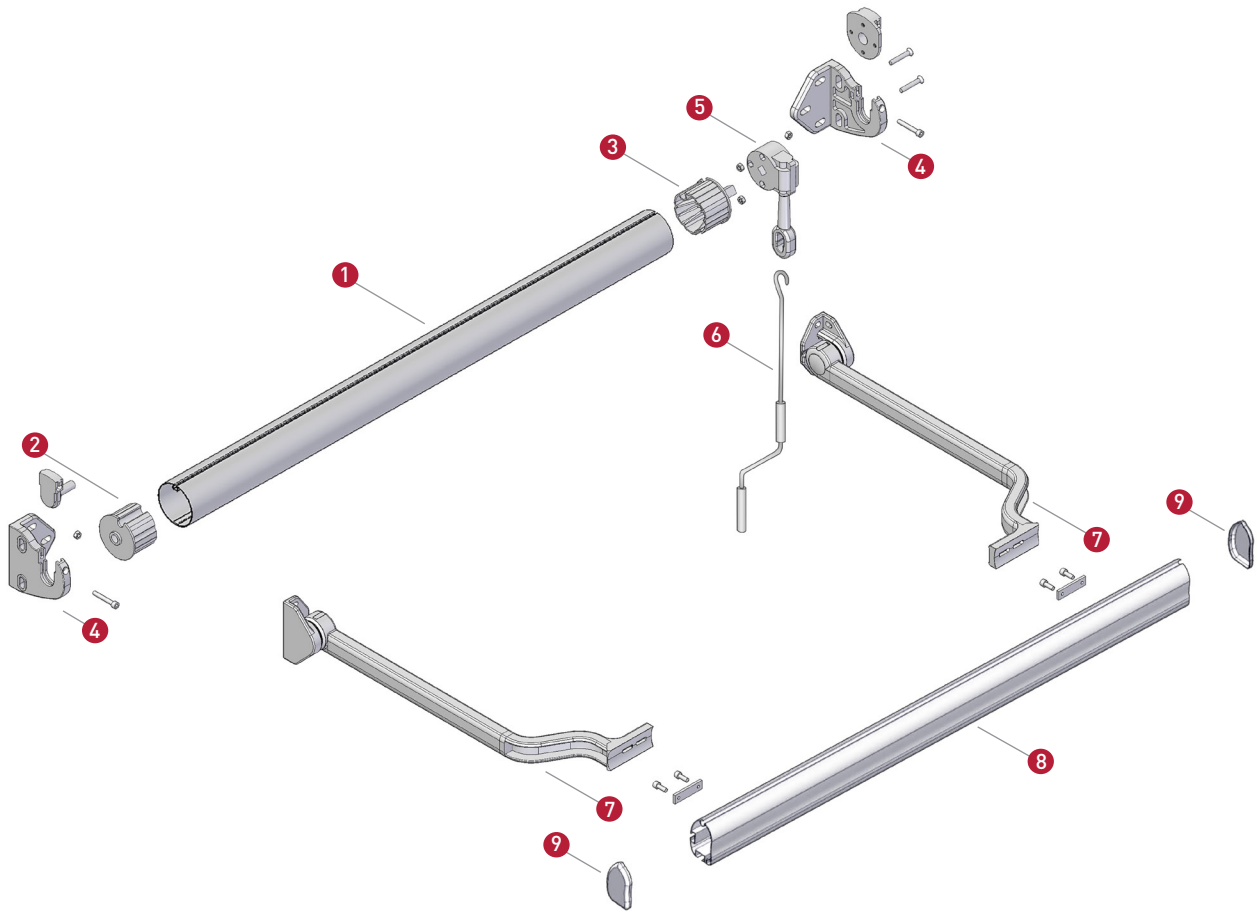


# MANUAL ECO BASIC ARM SYSTEM WITH 78 mm TUBE

SCHEMATIC DIAGRAM | DESPIECE DEL SISTEMA

MAXIMUM  
SHADE SIZE  
236"  
6.0 m

63"  
1.6 m



## DEDUCTIONS



Passive Side (P)

Active Side (A)





# MANUAL ECO BASIC ARM SYSTEM WITH 78 mm TUBE

## SCHEMATIC DIAGRAM | DESPIECE DEL SISTEMA

### LEGEND | LEYENDA

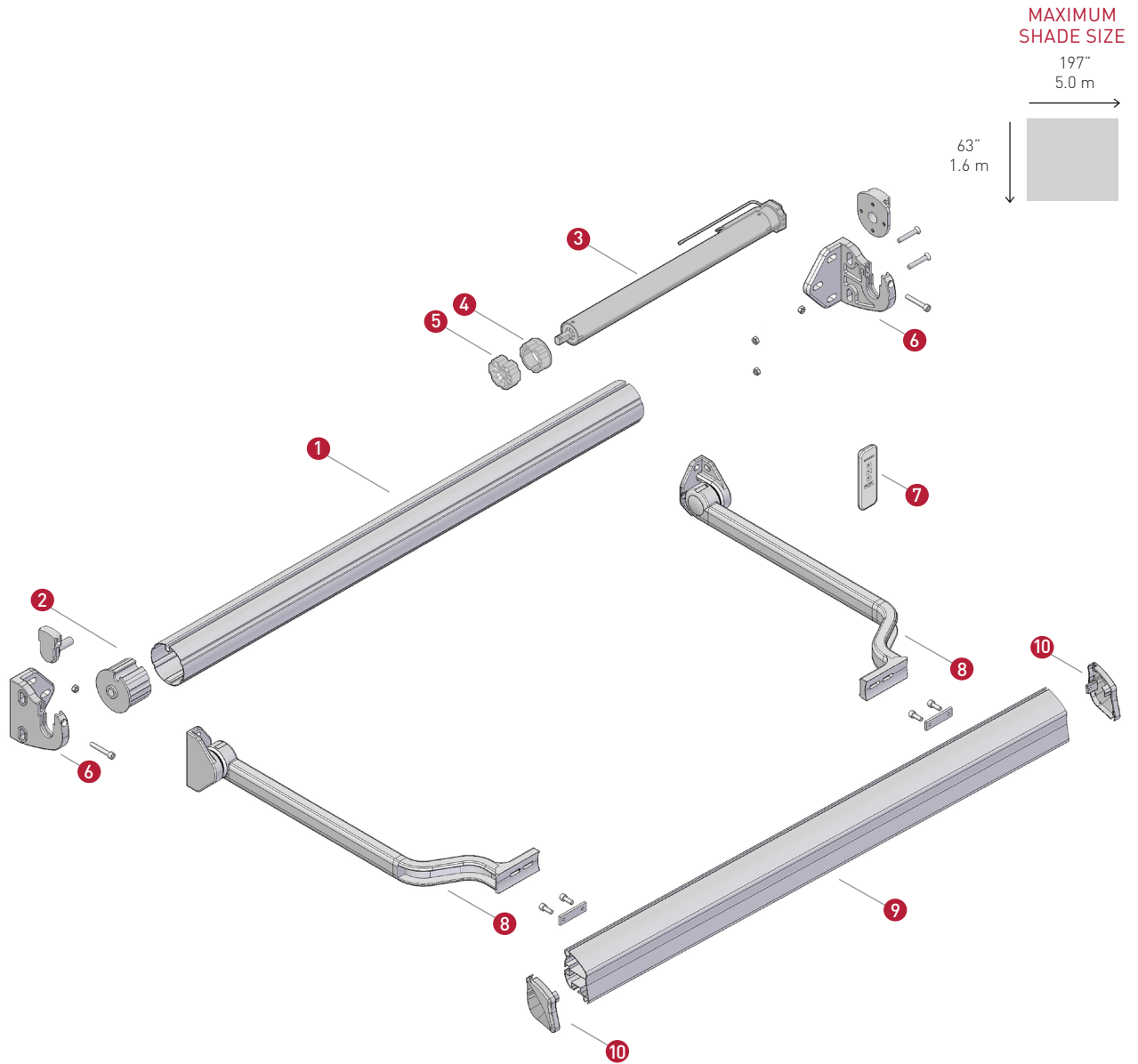
NO.	DESCRIPTION	CODE	QTY	UNIT
1	3" (78 mm) Galvanized Steel Grooved Tube (Available in 19.6'   6 m)	0-154-TU-G7821	-*	FT
-	6 mm Plastic Insert for 2 1/4"   60 mm, 2 3/4"   70 mm, 3"   78 mm Galvanized Tube (Not shown in the diagram)	0-140-07-79010	-*	FT
2	3" (78 mm) Nylon Point (without Axis)	0-140-07-70320	1	EA
3	3" (78 mm) Aluminum Gear Box Holder	0-140-07-70310	1	EA
4	Atos Support Set - White	0-140-07-50030	1	SET
5	Gear Box 1:7 Threaded - White (Multiple options available. See Gear Box Section)	0-140-07-71120	1	EA
6	Hand Crank Model Roma - White 3.2'   1.00 m (10), 4.0'   1.20 m (15), 5.0'   1.50 m (20), 5.5'   1.70 m (25), 6.5'   2.00 m (30), 7.2'   2.20 m (35), 8.2'   2.50 m (40)	0-140-07-730XX	1	EA
7	Elbowed Arm Set with Tension Max. Proj. - White 2.6'   0.80 m (10), 3.2'   1.00 m (15), 3.9'   1.20 m (20), 4.6'   1.40 m (25), 5.2'   1.60 m (30)	0-140-07-522XX	1	SET
8	Straight Profile PU5 - White (Available in 19.6'   6 m)	0-140-00-00020	1	FT
9	Plastic End Caps for PU5 Profile	0-140-00-00023	1	SET

\*The quantity per shade varies depending on the width of the shade.

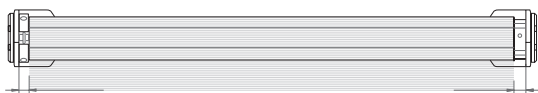


# MOTORIZED BASIC ARM SYSTEM WITH 70 mm TUBE

SCHEMATIC DIAGRAM | DESPIECE DEL SISTEMA



### DEDUCTIONS



Passive Side (P)

Active Side (A)







# MOTORIZED BASIC ARM SYSTEM WITH 70 mm TUBE

SCHEMATIC DIAGRAM | DESPIECE DEL SISTEMA

## LEGEND | LEYENDA

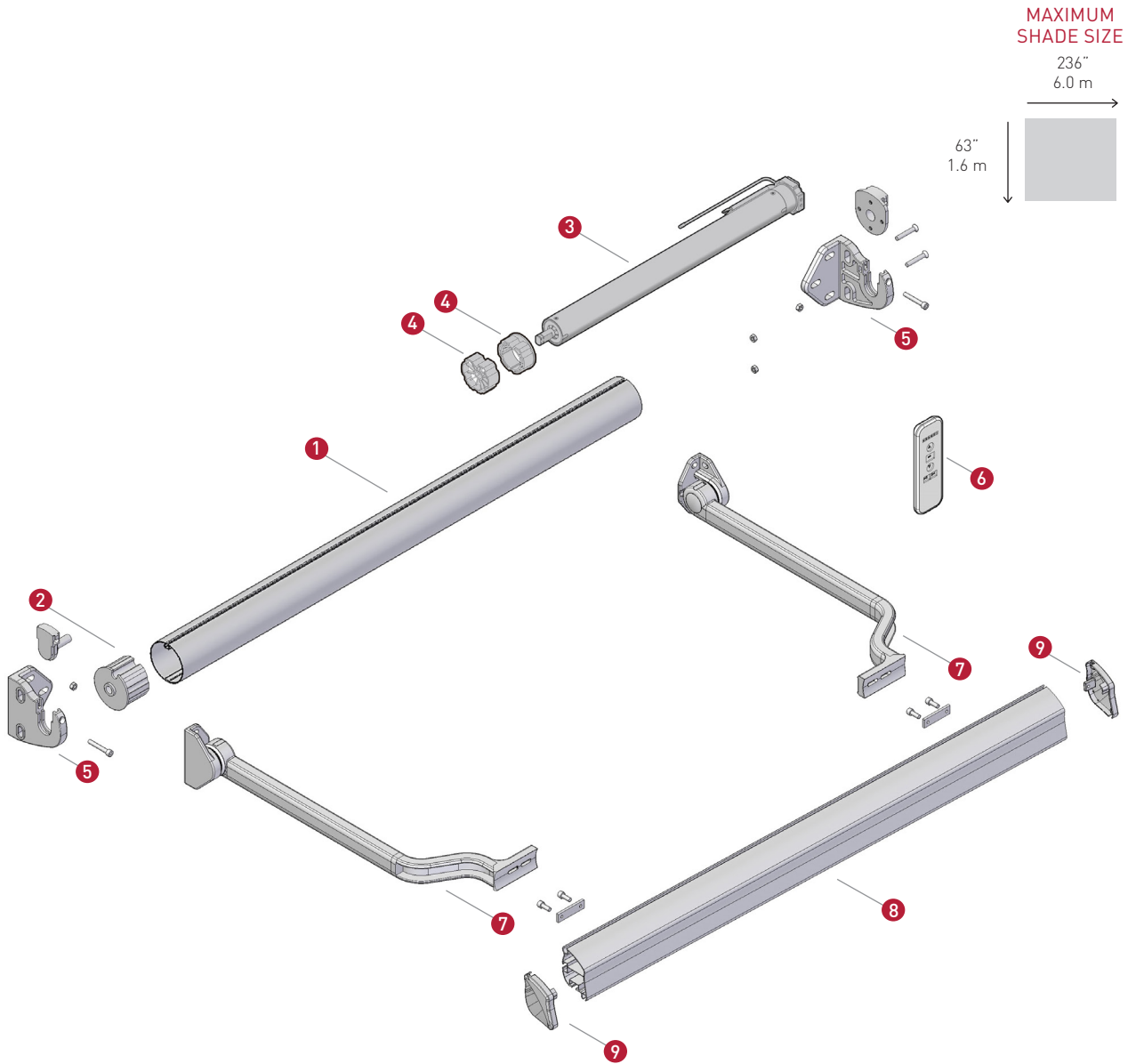
NO.	DESCRIPTION	CODE	QTY	UNIT
1	2 3/4" (70 mm) Galvanized Steel Grooved Tube (Available in 19.6'   6 m)	0-154-TU-G7021	-*	FT
-	6 mm Plastic Insert for 2 1/4"   60 mm, 2 3/4"   70 mm, 3"   78 mm Galvanized Tube (Not shown in the diagram)	0-140-07-79010	-*	FT
2	2 3/4" (70 mm) Nylon Point (without Axis)	0-140-07-70315	1	EA
3	VTi® Celtic Electronic Limits Motor   20 Nm (Multiple options available. See <i>Compatible Motors Section</i> )	6-700-CM-45E20	1	EA
4	Crown for 45 mm Motors and 2 3/4"   70mm Tubes	6-700-AC-DH570	--	EA
5	Drive for 45 mm "A" Shaft Motors and 2 3/4"   70mm Tubes	6-700-AD-DL570	--	EA
6	Atos Support Set - White	0-140-07-50030	1	SET
7	Remote Control (Multiple options available. See <i>Control Solutions Section</i> )	--	--	EA
8	Elbowed Arm Set with Tension Max. Proj. - White 2.6'   0.80 m (10), 3.2'   1.00 m (15), 3.9'   1.20 m (20), 4.6'   1.40 m (25), 5.2'   1.60 m (30)	0-140-07-522XX	1	SET
9	Delfin Plus Profile 2 3/4"   70 mm - White (Available in 19.6'   6 m)	0-140-07-34705	-*	SET
10	Delfin Plus Plug Kit 3"   75 mm - White	0-140-07-34700	1	SET

\*The quantity per shade varies depending on the width of the shade.

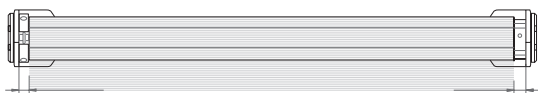


# MOTORIZED BASIC ARM SYSTEM WITH 78 mm TUBE

SCHEMATIC DIAGRAM | DESPIECE DEL SISTEMA



DEDUCTIONS



Passive Side (P)

Active Side (A)



Roller Tube

A + P =

80 mm



# MOTORIZED BASIC ARM SYSTEM WITH 78 mm TUBE

SCHEMATIC DIAGRAM | DESPIECE DEL SISTEMA

## LEGEND | LEYENDA

NO.	DESCRIPTION	CODE	QTY	UNIT
1	3" (78 mm) Galvanized Steel Grooved Tube (Available in 19.6'   6 m)	0-154-TU-G7821	-*	FT
-	6 mm Plastic Insert for 2 1/4"   60 mm, 2 3/4"   70 mm, 3"   78 mm Galvanized Tube (Not shown in the diagram)	0-140-07-79010	-*	FT
2	3" (78 mm) Nylon Point (without Axis)	0-140-07-70320	1	EA
3	VTi® Celtic Electronic Limits Motor   20 Nm (Multiple options available. See <i>Compatible Motors Section</i> )	6-700-CM-45E20	1	EA
4	Crown and Drive for 45 mm Motors and 3"   78 mm Tubes (Set pieces are available for purchase separately)	6-700-AS-45078	--	EA
5	Atos Support Set - White	0-140-07-50030	1	SET
6	Remote Control (Multiple options available. See <i>Control Solutions Section</i> )	--	--	EA
7	Elbowed Arm Set with Tension Max. Proj. - White (2.6'   0.80 m (10), 3.2'   1.00 m (15), 3.9'   1.20 m (20), 4.6'   1.40 m (25), 5.2'   1.60 m (30))	0-140-07-522XX	1	SET
8	Delfin Plus Profile 2 3/4"   70 mm - White (Available in 19.6'   6 m)	0-140-07-34705	-*	SET
9	Delfin Plus Plug Kit 3"   75 mm - White	0-140-07-34700	1	SET

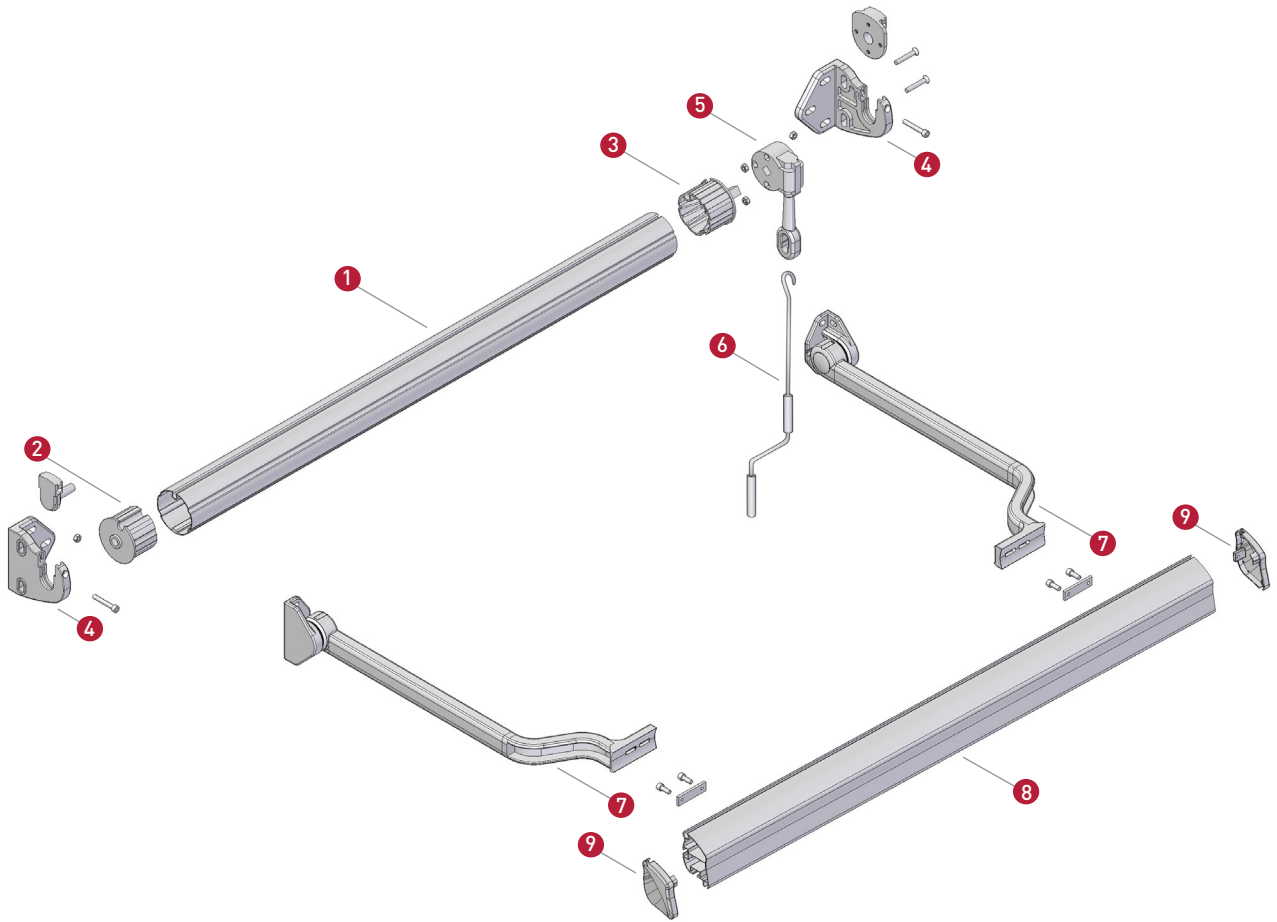
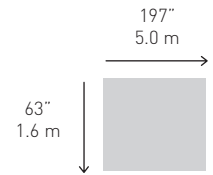
\*The quantity per shade varies depending on the width of the shade.



# MANUAL BASIC ARM SYSTEM WITH 70 mm TUBE

SCHEMATIC DIAGRAM | DESPIECE DEL SISTEMA

MAXIMUM SHADE SIZE



### DEDUCTIONS



Passive Side (P)

Active Side (A)





# MANUAL BASIC ARM SYSTEM WITH 70 mm TUBE

## SCHEMATIC DIAGRAM | DESPIECE DEL SISTEMA

### LEGEND | LEYENDA

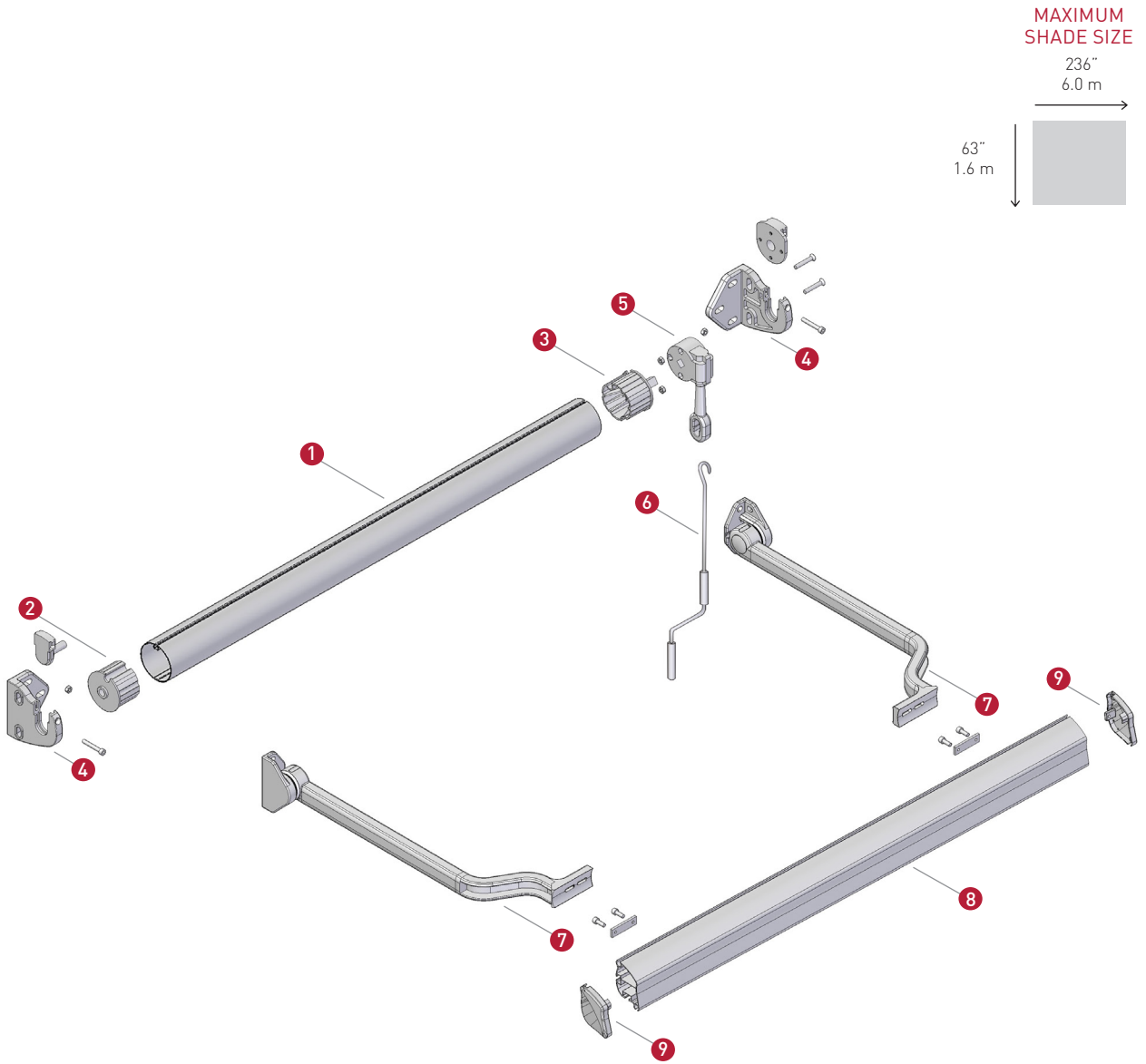
NO.	DESCRIPTION	CODE	QTY	UNIT
1	2 3/4" (70 mm) Galvanized Steel Grooved Tube (Available in 19.6'   6 m)	0-154-TU-G7021	-*	FT
-	6 mm Plastic Insert for 2 1/4"   60 mm, 2 3/4"   70 mm, 3"   78 mm Galvanized Tube (Not shown in the diagram)	0-140-07-79010	-*	FT
2	2 3/4" (70 mm) Nylon Point (without Axis)	0-140-07-70315	1	EA
3	2 3/4" (70 mm) Nylon Gear Box Holder	0-140-07-70330	1	EA
4	Atos Support Set - White	0-140-07-50030	1	SET
5	Gear Box 1:7 Threaded - White (Multiple options available. See Gear Box Section)	0-140-07-71120	1	EA
6	Hand Crank Model Roma - White 3.2'   1.00 m (10), 4.0'   1.20 m (15), 5.0'   1.50 m (20), 5.5'   1.70 m (25), 6.5'   2.00 m (30), 7.2'   2.20 m (35), 8.2'   2.50 m (40)	0-140-07-730XX	1	EA
7	Elbowed Arm Set with Tension Max. Proj. - White 2.6'   0.80 m (10), 3.2'   1.00 m (15), 3.9'   1.20 m (20), 4.6'   1.40 m (25), 5.2'   1.60 m (30)	0-140-07-522XX	1	SET
8	Delfin Plus Profile 2 3/4"   70 mm - White (Available in 19.6'   6 m)	0-140-07-34705	-*	SET
9	Delfin Plus Plug Kit 3"   75 mm - White	0-140-07-34700	1	SET

\*The quantity per shade varies depending on the width of the shade.



# MANUAL BASIC ARM SYSTEM WITH 78 mm TUBE

SCHEMATIC DIAGRAM | DESPIECE DEL SISTEMA



DEDUCTIONS



Passive Side (P)

Active Side (A)



Roller Tube

A + P =

90 mm



# MANUAL BASIC ARM SYSTEM WITH 78 mm TUBE

SCHEMATIC DIAGRAM | DESPIECE DEL SISTEMA

## LEGEND | LEYENDA

NO.	DESCRIPTION	CODE	QTY	UNIT
1	3" (78 mm) Galvanized Steel Grooved Tube (Available in 19.6'   6 m)	0-154-TU-G7821	-*	FT
-	6 mm Plastic Insert for 2 1/4"   60 mm, 2 3/4"   70 mm, 3"   78 mm Galvanized Tube (Not shown in the diagram)	0-140-07-79010	-*	FT
2	3" (78 mm) Nylon Point (without Axis)	0-140-07-70320	1	EA
3	3" (78 mm) Aluminum Gear Box Holder	0-140-07-70310	1	EA
4	Atos Support Set - White	0-140-07-50030	1	SET
5	Gear Box 1:7 Threaded - White (Multiple options available. See Gear Box Section)	0-140-07-71120	1	EA
6	Hand Crank Model Roma - White 3.2'   1.00 m (10), 4.0'   1.20 m (15), 5.0'   1.50 m (20), 5.5'   1.70 m (25), 6.5'   2.00 m (30), 7.2'   2.20 m (35), 8.2'   2.50 m (40)	0-140-07-730XX	1	EA
7	Elbowed Arm Set with Tension Max. Proj. - White 2.6'   0.80 m (10), 3.2'   1.00 m (15), 3.9'   1.20 m (20), 4.6'   1.40 m (25), 5.2'   1.60 m (30)	0-140-07-522XX	1	SET
8	Delfin Plus Profile 2 3/4"   70 mm - White (Available in 19.6'   6 m)	0-140-07-34705	-*	SET
9	Delfin Plus Plug Kit 3"   75 mm - White	0-140-07-34700	1	SET

\*The quantity per shade varies depending on the width of the shade.



## BASIC ARM SYSTEM

COMPATIBLE GEAR BOXES | MÁQUINAS COMPATIBLES

PICTURE	DESCRIPTION	RATIO	MAX. WEIGHT CAPACITY	GEAR BOX WEIGHT
	<b>Awning Gear Box 1:7 Threaded - White</b> 0-140-07-71120	1:7	91 kg	718 g
	<b>Awning Gear Box 1:9 Long Crank - White</b> 0-140-07-71909	1:9	110 kg	710 g
	<b>Awning Gear Box 1:11 Long Crank - White</b> 0-140-07-71110	1:11	121 kg	781 g





# BASIC ARM SYSTEM

COMPATIBLE MOTORS | MOTORES COMPATIBLES

SERIE Ø45

---



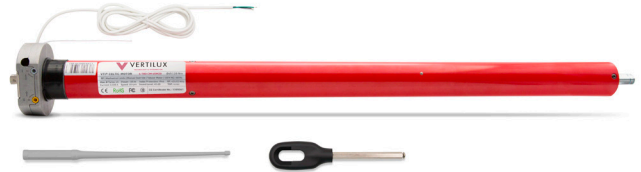
VTi® Celtic Electronic Limits Motor | 20 Nm  
6-700-CM-45E20 (120V) | 6-700-CN-45E20 (230V)



VTi® Celtic Mechanical Limits Motor | 20 Nm  
6-700-CM-45R20 (120V) | 6-700-CN-45R20 (230V)



VTi® Celtic Mechanical Limits | Standard Motor | 20 Nm  
6-700-CM-45S20 (120V) | 6-700-CN-45S20 (230V)



VTi® Celtic Mechanical Limits | Manual Override Motor | 20 Nm  
6-700-CM-45M20



## BASIC ARM SYSTEM

COMPATIBLE TUBES & ADAPTERS FOR MOTORIZATION  
TUBOS COMPATIBLES Y ADAPTADORES PARA MOTORIZACIÓN

### SERIE Ø45



2 3/4" (70 mm) GALVANIZED STEEL GROOVED TUBE

CODE	DESCRIPTION	CROWN	DRIVE
0-154-TU-G7021	2 3/4" (70 mm) Galvanized Steel Grooved Tube (Available in 19.6'   6 m)	 6-700-AC-DH570	 6-700-AD-DL570



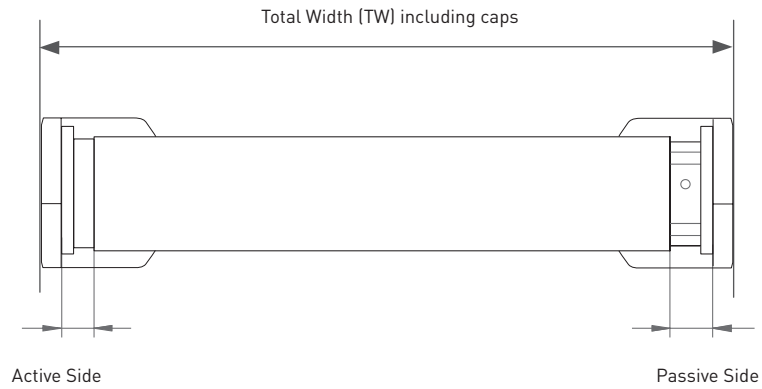
3" (78 mm) GALVANIZED STEEL GROOVED TUBE

CODE	DESCRIPTION	CROWN	DRIVE
0-154-TU-G7821	3" (78 mm) Galvanized Steel Grooved Tube (Available in 19.6'   6 m)	 6-700-AC-DH100	 6-700-AD-DL180
Set (Crown + Drive)   6-700-AS-45078			



# BASIC ARM SYSTEM

DEDUCTIONS | DEDUCCIONES



	MOTOR	GEAR BOX
Roller Tube	= TW - 80 mm	= TW - 90 mm

\*TW = Total Width including caps

\*\* This chart is provided as a reference for deduction calculation purposes. However, some variations are possible. Vertilux strongly recommends the validation of the specific deductions for every particular project.



**VERTILUX**

IDEAS FOR YOUR SPACE

1.800.356.8837

[sales@vertilux.com](mailto:sales@vertilux.com)

[vertilux.com](http://vertilux.com)