



# VERTILUX

IDEAS FOR YOUR SPACE

## DUPLEX SYSTEM

RETRACTABLE ARMS





# DUPLEX SYSTEM

TECHNICAL SHEET | FICHA TÉCNICA



RETRACTABLE ARMS

DUPLEX SYSTEM

## FEATURES

The Duplex System is ideal for terraces, patios and locations where there are few support points.

The head of the Duplex System allows two awnings to be opened with an articulated arm, rolling both canvases on the same tube with only one gearbox, providing an effective and optimised mechanism.

## APPLICATIONS



Retractable Awnings

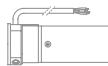


Outdoor Use

## OPERATION OPTIONS



Crank



VTi® Celtic Motor

## OPTIONAL ACCESSORIES



Telescopic Bar



# DUPLEX SYSTEM

TECHNICAL SHEET | FICHA TÉCNICA

## TECHNICAL SPECS

<b>Maximum Width</b>	20'   6 m	<b>Range of Inclination</b>	0° to 24°
<b>Maximum Projection</b>	2 Arms: 6.5'   2.50 m (each side)	<b>Surface Coverage</b>	Up to 323 ft²   30 m²
<b>Tube Diameter ø</b>	70 mm up to 5 m of width 78 mm up to 6 m of width	<b>Operation Option</b>	Crank or Motor

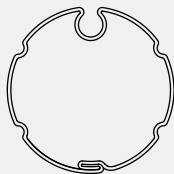
## WIND RESISTANCE

PROJECTION	WIDTH					
	2.5 m	3.0 m	3.5 m	4.0 m	4.5 m	5.0 m
1.5 m	2	2	2	2	2	2
2.0 m	2	2	2	2	2	2
2.5 m		2	2	2	2	2

CLASS 2 | 38 km/h

\*Wind resistance and safety values (according to standard UNE-EN 13561:2015).

## RECOMMENDED TUBES



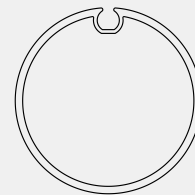
Up to 13' | 5 m of Width

2 3/4" | 70 mm

Galvanized Steel  
Grooved Tube

0-154-TU-G7021

Length: 19.6'



Up to 16' | 6 m of Width

3" | 78 mm

Galvanized Steel  
Grooved Tube

0-154-TU-G7821

Length: 19.6'



# DUPLEX SYSTEM

TECHNICAL PROPERTIES | PROPIEDADES TÉCNICAS

## MINIMUM ASSEMBLY WIDTHS (INCLUDING CAPS)

	PROJECTION		
	1.5 m	2.0 m	2.50 m
Minimum Width Gear Box	2.82 m	2.42 m	2.94 m
Minimum Width Motor	2.74 m	2.34 m	2.86 m

## MINIMUM TORQUE FOR MOTORIZATION

	PROJECTION		
	1.5 m	2.0 m	2.50 m
Ø 70 mm Tube			
Width up to 5 m 4 arms	50 Nm	50 Nm	100 Nm
Ø 78 mm Tube			
Width up to 6 m 4 arms	50 Nm	100 Nm	100 Nm

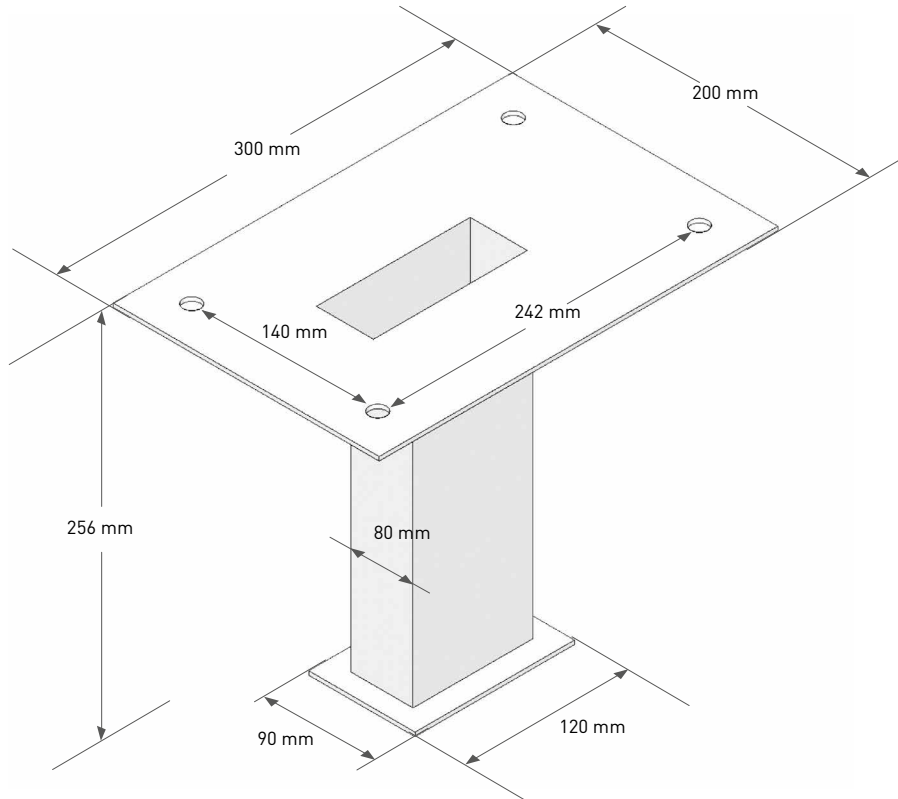


# DUPLEX SYSTEM

DIMENSIONS | DIMENSIONES

## GROUND SUPPORT

---





DUPLEX SYSTEM

# INSTALLATION OPTIONS

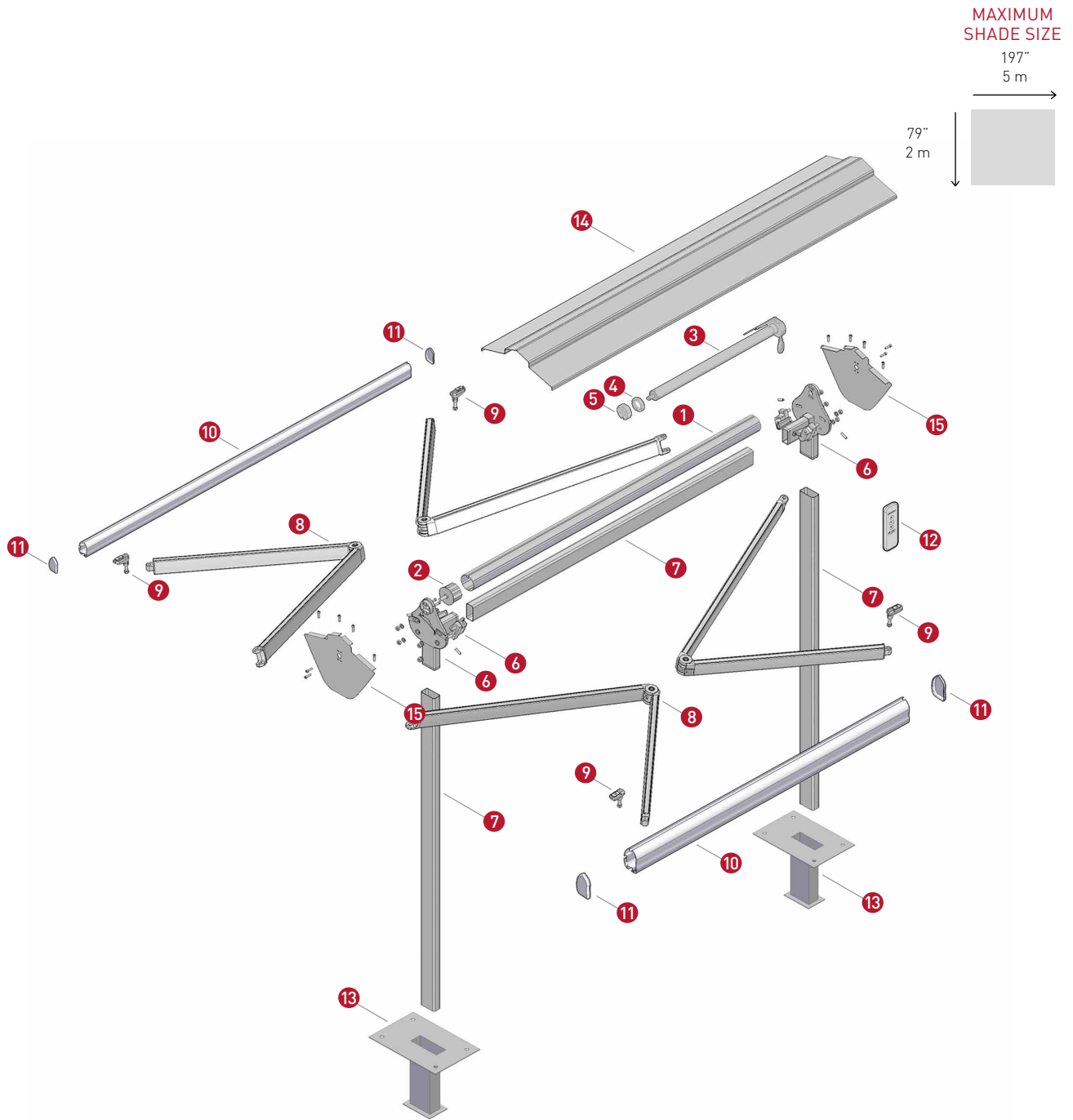
OPCIONES DE INSTALACIÓN





# MOTORIZED ECO DUPLEX SYSTEM WITH 70 mm TUBE

SCHEMATIC DIAGRAM | DESPIECE DEL SISTEMA



## DEDUCTIONS



Roller Tube	A + P =	136 mm
Bottomrail	A + P =	153 mm



# MOTORIZED ECO DUPLEX SYSTEM WITH 70 mm TUBE

SCHEMATIC DIAGRAM | DESPIECE DEL SISTEMA

## LEGEND | LEYENDA

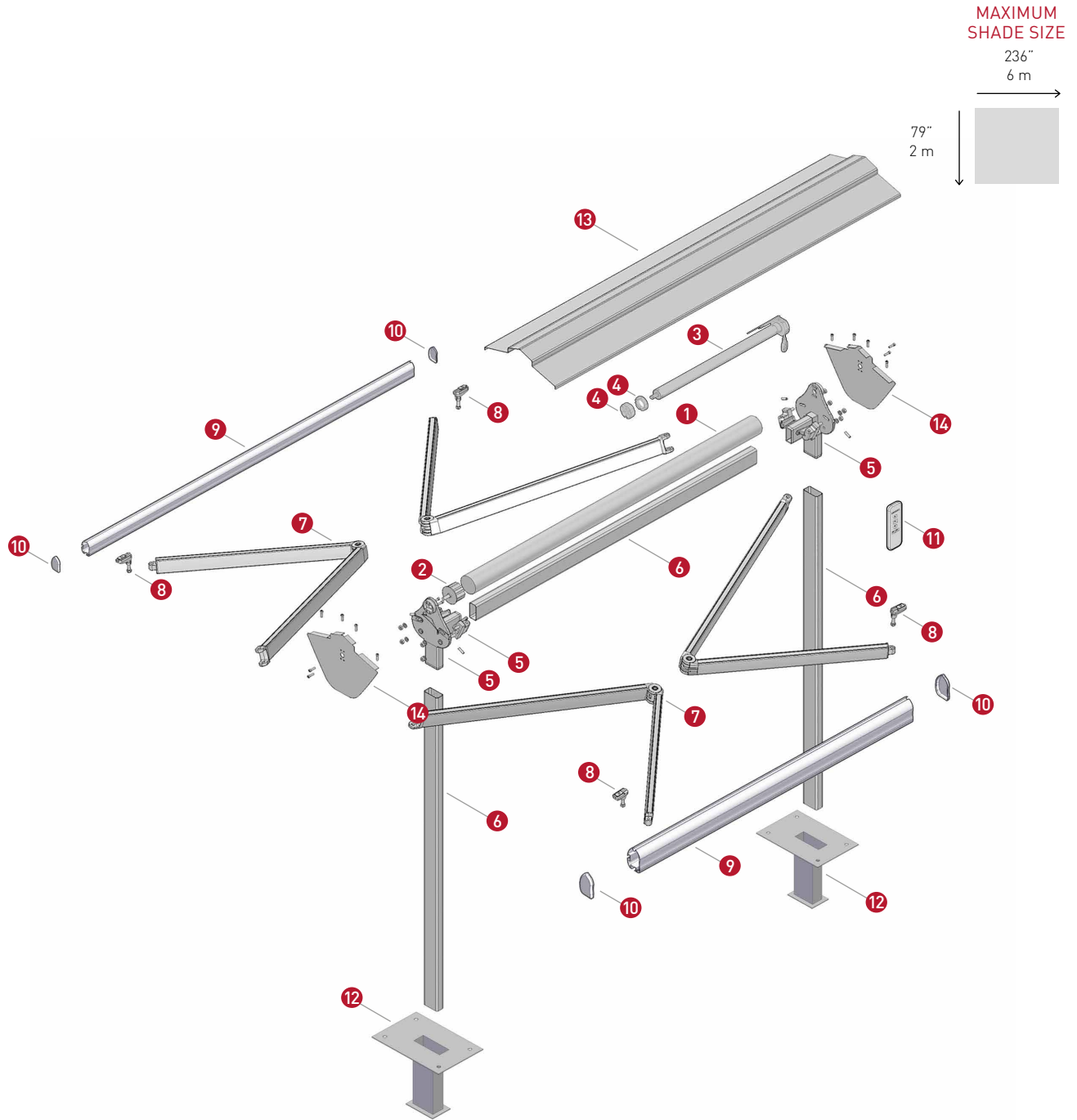
NO.	DESCRIPTION	CODE	QTY	UNIT
1	2 3/4" (70 mm) Galvanized Steel Grooved Tube (Available in 19.6'   6 m)	0-154-TU-G7021	1	FT
2	2 3/4" (70 mm) Nylon Point (with 12 mm Round Tip Axis)	0-140-07-70367	1	EA
3	VTi® Celtic Mechanical Limits - Manual Override Motor   50 Nm (Multiple options available. See <i>Compatible Motors Section</i> )	6-700-CM-45M50	1	EA
-	Hand Crank Model Roma - White (Optional Accessory, not shown in the diagram) 3.2'   1.00 m (10), 4.0'   1.20 m (15), 5.0'   1.50 m (20), 5.5'   1.70 m (25), 6.5'   2.00 m (30), 7.2'   2.20 m (35), 8.2'   2.50 m (40)	0-140-07-730XX	1	EA
4	Crown for 45 mm Motors and 2 3/4"   70 mm Tubes	6-700-AC-DH570	1	EA
5	Drive for 45 mm "A" Shaft Motors and 2 3/4"   70 mm Tubes	6-700-AD-DL570	1	EA
6	Duplex Set - White	0-140-07-50025	1	SET
7	Flat Awning 80x40 Alum. Profile 16.4'   5 m - White	0-140-07-13051	3	FT
8	Articulated Arm Set - White 6.5'   2.00 m (20), 8'   2.50 m (30)	0-140-07-317XX	2	SET
9	Terminal Kit - White	0-140-07-31701	2	SET
10	Straight Profile PU5 - White (Available in 19.6'   6 m)	0-140-00-00020	2	FT
11	Plastic End Caps for PU5 Profile	0-140-00-00023	2	SET
12	Remote Control (Multiple options available. See <i>Control Solutions Section</i> )	--	--	EA
13	Ground Support - White	0-140-07-50010	2	EA
14	Duplex Roof - White (Max. Projection: 16.4'   5 m. Optional Accessory)	0-140-07-93025	1	FT
15	Aluminum Roof Taps Kit - White (Optional Accessory)	0-140-07-30010	1	SET





# MOTORIZED ECO DUPLEX SYSTEM WITH 78 mm TUBE

SCHEMATIC DIAGRAM | DESPIECE DEL SISTEMA



### DEDUCTIONS



Roller Tube	A + P =	136 mm
Bottomrail	A + P =	153 mm



# MOTORIZED ECO DUPLEX SYSTEM WITH 78 mm TUBE

SCHEMATIC DIAGRAM | DESPIECE DEL SISTEMA

## LEGEND | LEYENDA

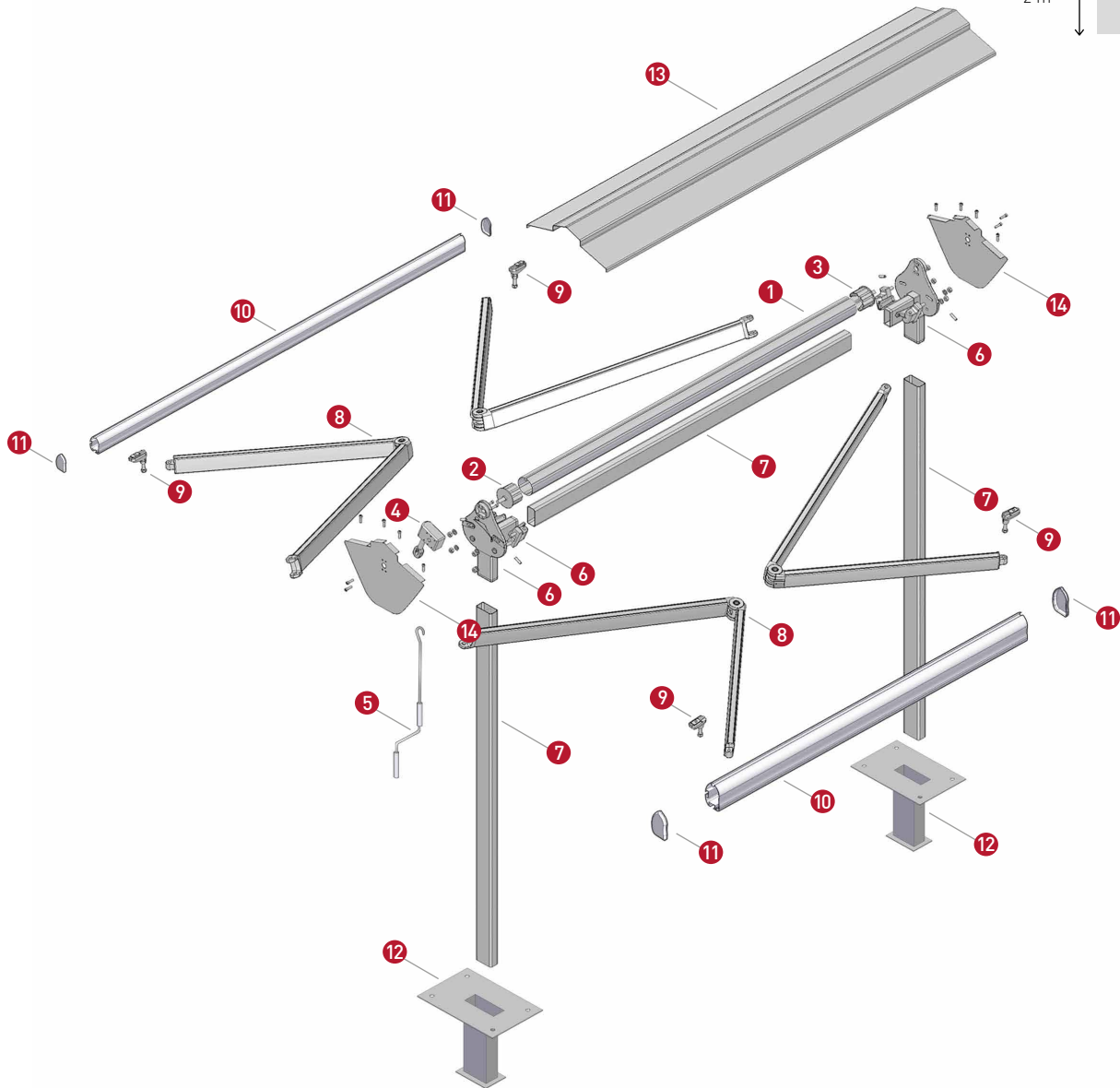
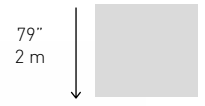
NO.	DESCRIPTION	CODE	QTY	UNIT
1	3" (78 mm) Galvanized Steel Grooved Tube (Available in 19.6'   6 m)	0-154-TU-G7821	1	FT
2	3" (78 mm) Nylon Point (with 12 mm Round Tip Axis)	0-140-07-70325	1	EA
3	VTi® Celtic Mechanical Limits - Manual Override Motor   50 Nm (Multiple options available. See <i>Compatible Motors Section</i> )	6-700-CM-45M50	1	EA
-	Hand Crank Model Roma - White (Optional Accessory, not shown in the diagram) 3.2'   1.00 m (10), 4.0'   1.20 m (15), 5.0'   1.50 m (20), 5.5'   1.70 m (25), 6.5'   2.00 m (30), 7.2'   2.20 m (35), 8.2'   2.50 m (40)	0-140-07-730XX	1	EA
4	Crown and Drive for 45 mm Motors and 3"   78 mm Tubes (Set pieces are available for purchase separately)	6-700-AC-DH570	1	EA
5	Duplex Set - White	0-140-07-50025	1	SET
6	Flat Awning 80x40 Alum. Profile 16.4'   5 m - White	0-140-07-13051	3	FT
7	Articulated Arm Set - White 6.5'   2.00 m (20), 8'   2.50 m (30)	0-140-07-317XX	2	SET
8	Terminal Kit - White	0-140-07-31701	2	SET
9	Straight Profile PU5 - White (Available in 19.6'   6 m)	0-140-00-00020	2	FT
10	Plastic End Caps for PU5 Profile	0-140-00-00023	2	SET
11	Remote Control (Multiple options available. See <i>Control Solutions Section</i> )	--	--	EA
12	Ground Support - White	0-140-07-50010	2	EA
13	Duplex Roof - White (Max. Projection: 16.4'   5 m. Optional Accessory)	0-140-07-93025	1	FT
14	Aluminum Roof Taps Kit - White (Optional Accessory)	0-140-07-30010	1	SET



# MANUAL ECO DUPLEX SYSTEM WITH 70 mm TUBE

SCHEMATIC DIAGRAM | DESPIECE DEL SISTEMA

MAXIMUM SHADE SIZE  
197"  
5 m



## DEDUCTIONS



Roller Tube	A + P =	166 mm
Bottomrail	A + P =	203 mm



# MANUAL ECO DUPLEX SYSTEM WITH 70 mm TUBE

SCHEMATIC DIAGRAM | DESPIECE DEL SISTEMA

## LEGEND | LEYENDA

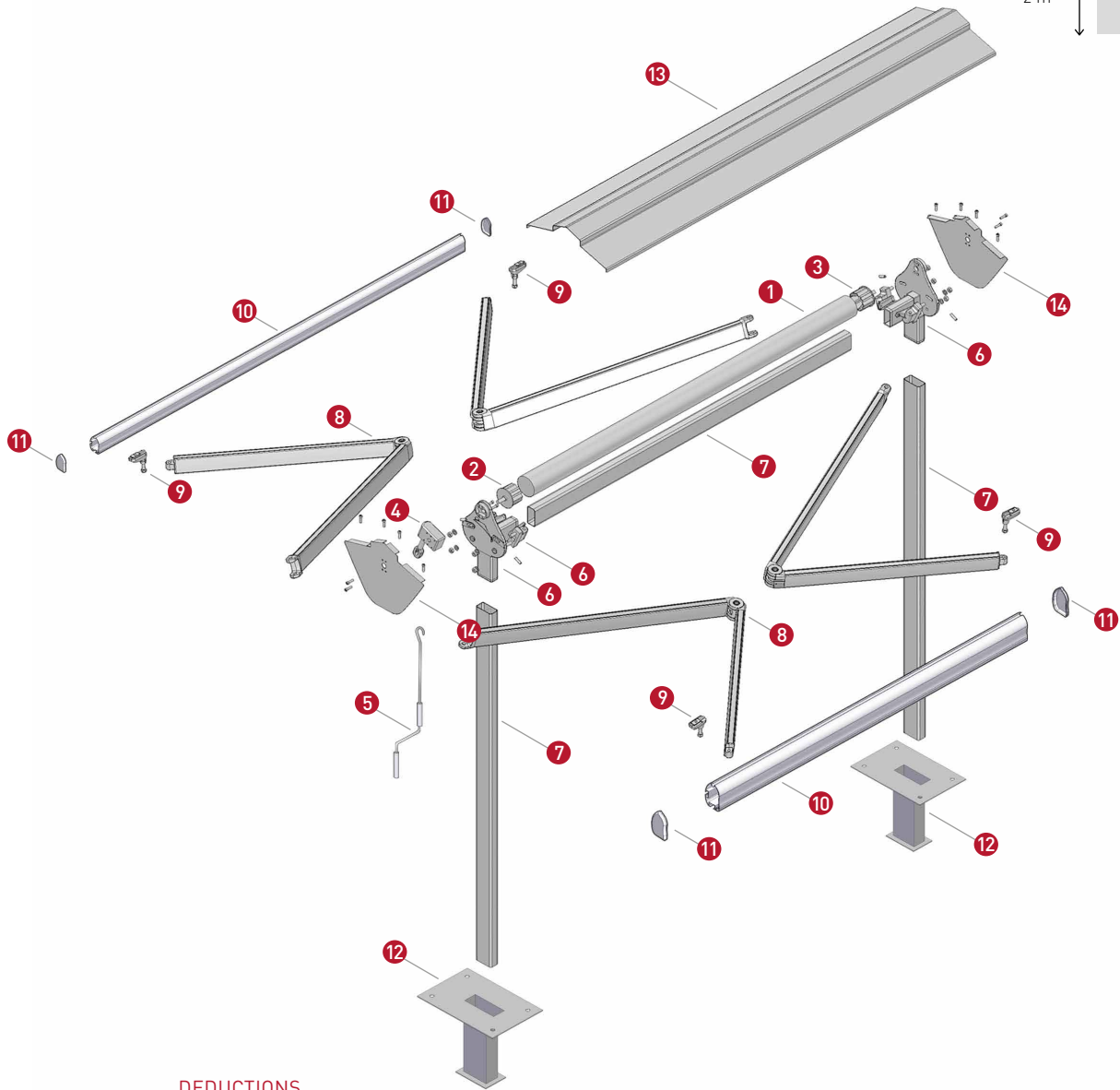
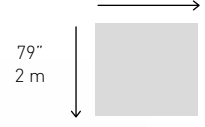
NO.	DESCRIPTION	CODE	QTY	UNIT
1	2 3/4" (70 mm) Galvanized Steel Grooved Tube (Available in 19.6'   6 m)	0-154-TU-G7021	1	FT
2	2 3/4" (70 mm) Nylon Gear Box Holder	0-140-07-70330	1	EA
3	2 3/4" (70 mm) Nylon Point (with 12 mm Round Tip Axis)	0-140-07-70367	1	EA
4	Gear Box 1:16 - White	0-140-07-71115	1	EA
5	Hand Crank Model Roma - White 3.2'   1.00 m (10), 4.0'   1.20 m (15), 5.0'   1.50 m (20), 5.5'   1.70 m (25), 6.5'   2.00 m (30), 7.2'   2.20 m (35), 8.2'   2.50 m (40)	0-140-07-730XX	1	EA
6	Duplex Set - White	0-140-07-50025	1	SET
7	Flat Awning 80x40 Alum. Profile 16.4'   5 m - White	0-140-07-13051	3	FT
8	Articulated Arm Set - White 6.5'   2.00 m (20), 8'   2.50 m (30)	0-140-07-317XX	2	SET
9	Terminal Kit - White	0-140-07-31701	2	SET
10	Straight Profile PU5 - White (Available in 19.6'   6 m)	0-140-00-00020	2	FT
11	Plastic End Caps for PU5 Profile	0-140-00-00023	2	SET
12	Ground Support - White	0-140-07-50010	2	EA
13	Duplex Roof - White (Max. Projection: 16.4'   5 m. Optional Accessory)	0-140-07-93025	1	FT
14	Aluminum Roof Taps Kit - White (Optional Accessory)	0-140-07-30010	1	SET



# MANUAL ECO DUPLEX SYSTEM WITH 78 mm TUBE

SCHEMATIC DIAGRAM | DESPIECE DEL SISTEMA

MAXIMUM  
SHADE SIZE  
236"  
6 m



DEDUCTIONS



Roller Tube	A + P =	166 mm
Bottomrail	A + P =	203 mm



# MANUAL ECO DUPLEX SYSTEM WITH 78 mm TUBE

SCHEMATIC DIAGRAM | DESPIECE DEL SISTEMA

## LEGEND | LEYENDA

NO.	DESCRIPTION	CODE	QTY	UNIT
1	3" (78 mm) Galvanized Steel Grooved Tube (Available in 19.6'   6 m)	0-154-TU-G7821	1	FT
2	3" (78 mm) Nylon Point (with 12 mm Round Tip Axis)	0-140-07-70325	1	EA
3	3" (78 mm) Aluminum Gear Box Holder	0-140-07-70310	1	EA
4	Gear Box 1:16 - White	0-140-07-71115	1	EA
5	Hand Crank Model Roma - White 3.2'   1.00 m (10), 4.0'   1.20 m (15), 5.0'   1.50 m (20), 5.5'   1.70 m (25), 6.5'   2.00 m (30), 7.2'   2.20 m (35), 8.2'   2.50 m (40)	0-140-07-730XX	1	EA
6	Duplex Set - White	0-140-07-50025	1	SET
7	Flat Awning 80x40 Alum. Profile 16.4'   5 m - White	0-140-07-13051	3	FT
8	Articulated Arm Set - White 6.5'   2.00 m (20), 8'   2.50 m (30)	0-140-07-317XX	2	SET
9	Terminal Kit - White	0-140-07-31701	2	SET
10	Straight Profile PU5 - White (Available in 19.6'   6 m)	0-140-00-00020	2	FT
11	Plastic End Caps for PU5 Profile	0-140-00-00023	2	SET
12	Ground Support - White	0-140-07-50010	2	EA
13	Duplex Roof - White (Max. Projection: 16.4'   5 m. Optional Accessory)	0-140-07-93025	1	FT
14	Aluminum Roof Taps Kit - White (Optional Accessory)	0-140-07-30010	1	SET

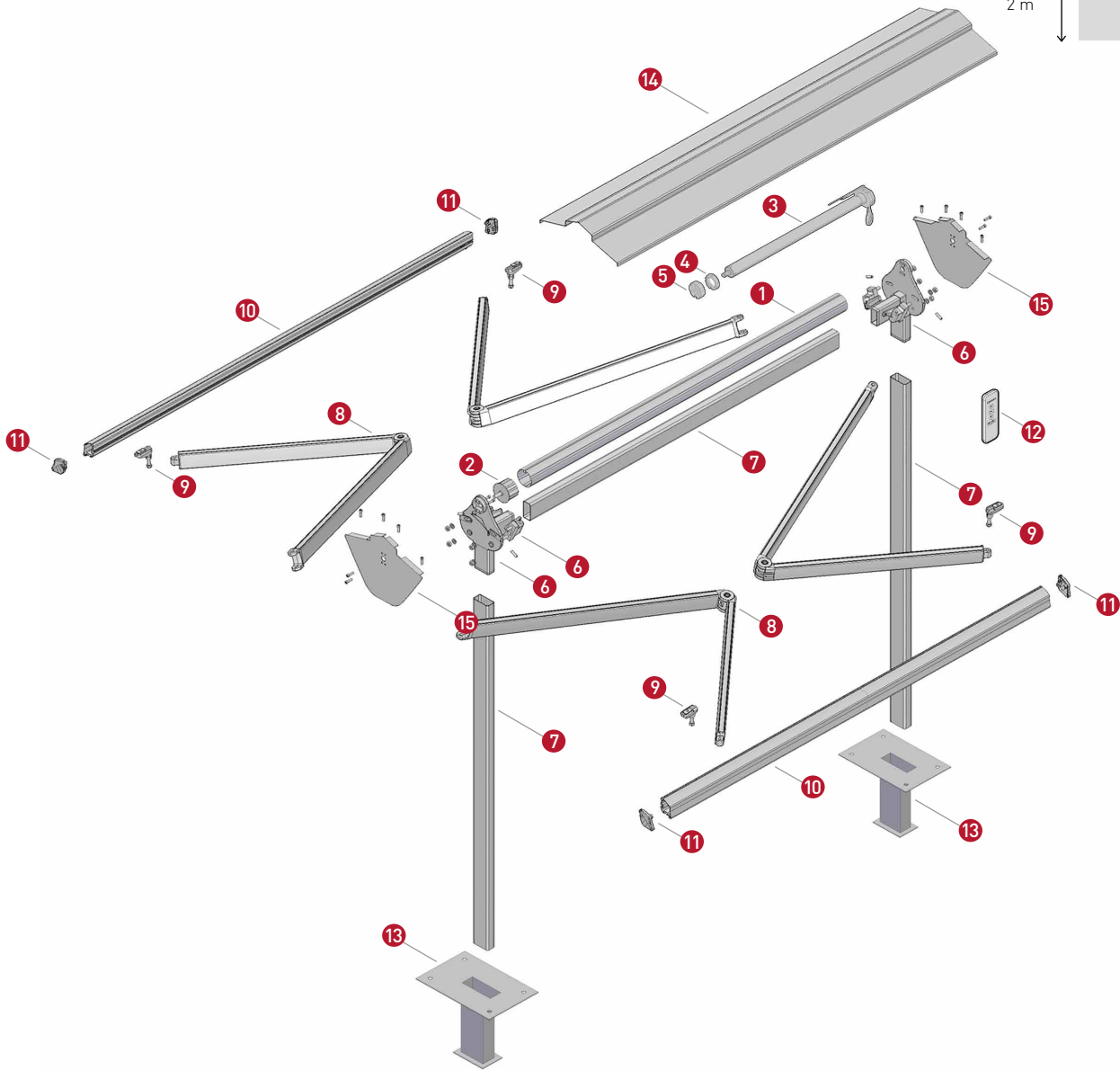


# MOTORIZED DUPLEX SYSTEM WITH 70 mm TUBE

SCHEMATIC DIAGRAM | DESPIECE DEL SISTEMA

MAXIMUM  
SHADE SIZE  
197"  
5 m

79"  
2 m



## DEDUCTIONS



Roller Tube	A + P =	136 mm
Bottomrail	A + P =	153 mm



# MOTORIZED DUPLEX SYSTEM WITH 70 mm TUBE

SCHEMATIC DIAGRAM | DESPIECE DEL SISTEMA

## LEGEND | LEYENDA

NO.	DESCRIPTION	CODE	QTY	UNIT
1	2 3/4" (70 mm) Galvanized Steel Grooved Tube (Available in 19.6'   6 m)	0-154-TU-G7021	1	FT
2	2 3/4" (70 mm) Nylon Point (with 12 mm Round Tip Axis)	0-140-07-70367	1	EA
3	VTi® Celtic Mechanical Limits - Manual Override Motor   50 Nm (Multiple options available. See <i>Compatible Motors Section</i> )	6-700-CM-45M50	1	EA
-	Hand Crank Model Roma - White (Optional Accessory, not shown in the diagram) 3.2'   1.00 m (10), 4.0'   1.20 m (15), 5.0'   1.50 m (20), 5.5'   1.70 m (25), 6.5'   2.00 m (30), 7.2'   2.20 m (35), 8.2'   2.50 m (40)	0-140-07-730XX	1	EA
4	Crown for 45 mm Motors and 2 3/4"   70 mm Tubes	6-700-AC-DH570	1	EA
5	Drive for 45 mm "A" Shaft Motors and 2 3/4"   70 mm Tubes	6-700-AD-DL570	1	EA
6	Duplex Set - White	0-140-07-50025	1	SET
7	Flat Awning 80x40 Alum. Profile 16.4'   5 m - White	0-140-07-13051	3	FT
8	Articulated Arm Set - White 6.5'   2.00 m (20), 8'   2.50 m (30)	0-140-07-317XX	2	SET
9	Terminal Kit - White	0-140-07-31701	2	SET
10	Delfin Plus Profile 2 3/4"   70 mm - White (Available in 19.6'   6 m)	0-140-07-34705	2	SET
11	Delfin Plus Plug Kit 3"   75 mm - White	0-140-07-34700	2	SET
12	Remote Control (Multiple options available. See <i>Control Solutions Section</i> )	--	--	EA
13	Ground Support - White	0-140-07-50010	2	EA
14	Duplex Roof - White (Max. Projection: 16.4'   5 m. Optional Accessory)	0-140-07-93025	1	FT
15	Aluminum Roof Taps Kit - White (Optional Accessory)	0-140-07-30010	1	SET



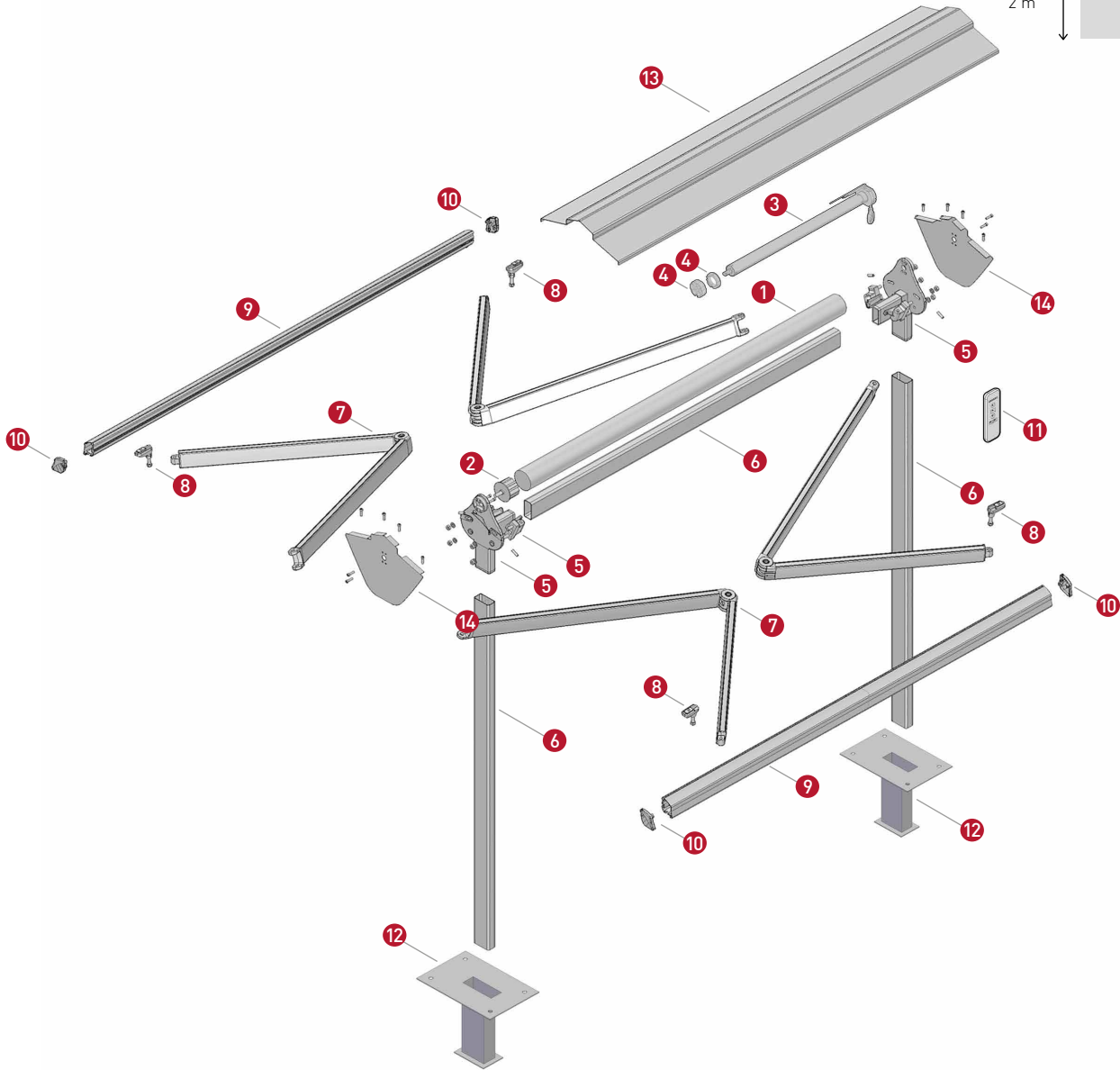


# MOTORIZED DUPLEX SYSTEM WITH 78 mm TUBE

SCHEMATIC DIAGRAM | DESPIECE DEL SISTEMA

MAXIMUM  
SHADE SIZE  
236"  
6 m

79"  
2 m



## DEDUCTIONS



Roller Tube	A + P =	136 mm
Bottomrail	A + P =	153 mm



# MOTORIZED DUPLEX SYSTEM WITH 78 mm TUBE

SCHEMATIC DIAGRAM | DESPIECE DEL SISTEMA

## LEGEND | LEYENDA

NO.	DESCRIPTION	CODE	QTY	UNIT
1	3" (78 mm) Galvanized Steel Grooved Tube (Available in 19.6'   6 m)	0-154-TU-G7821	1	FT
2	3" (78 mm) Nylon Point (with 12 mm Round Tip Axis)	0-140-07-70325	1	EA
3	VTi® Celtic Mechanical Limits - Manual Override Motor   50 Nm (Multiple options available. See <i>Compatible Motors Section</i> )	6-700-CM-45M50	1	EA
-	Hand Crank Model Roma - White (Optional Accessory, not shown in the diagram) 3.2'   1.00 m (10), 4.0'   1.20 m (15), 5.0'   1.50 m (20), 5.5'   1.70 m (25), 6.5'   2.00 m (30), 7.2'   2.20 m (35), 8.2'   2.50 m (40)	0-140-07-730XX	1	EA
4	Crown and Drive for 45 mm Motors and 3"   78 mm Tubes (Set pieces are available for purchase separately)	6-700-AC-DH570	1	EA
5	Duplex Set - White	0-140-07-50025	1	SET
6	Flat Awning 80x40 Alum. Profile 16.4'   5 m - White	0-140-07-13051	3	FT
7	Articulated Arm Set - White 6.5'   2.00 m (20), 8'   2.50 m (30)	0-140-07-317XX	2	SET
8	Terminal Kit - White	0-140-07-31701	2	SET
9	Delfin Plus Profile 2 3/4"   70 mm - White (Available in 19.6'   6 m)	0-140-07-34705	2	SET
10	Delfin Plus Plug Kit 3"   75 mm - White	0-140-07-34700	2	SET
11	Remote Control (Multiple options available. See <i>Control Solutions Section</i> )	--	--	EA
12	Ground Support - White	0-140-07-50010	2	EA
13	Duplex Roof - White (Max. Projection: 16.4'   5 m. Optional Accessory)	0-140-07-93025	1	FT
14	Aluminum Roof Taps Kit - White (Optional Accessory)	0-140-07-30010	1	SET



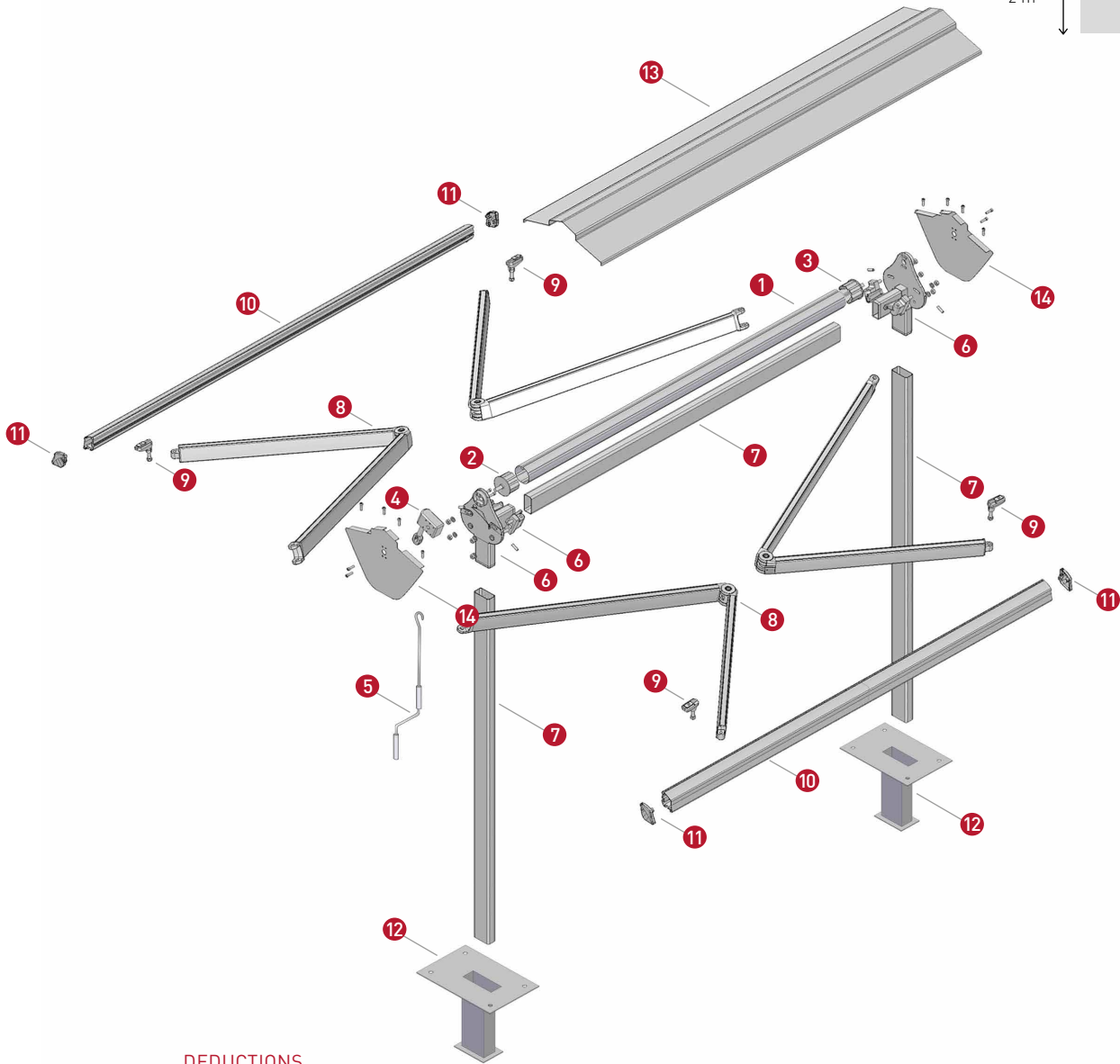
# MANUAL DUPLEX SYSTEM WITH 70 mm TUBE

SCHEMATIC DIAGRAM | DESPIECE DEL SISTEMA

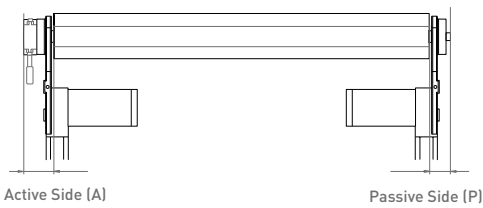
MAXIMUM  
SHADE SIZE

197"  
5 m

79"  
2 m



### DEDUCTIONS



<b>Roller Tube</b>	A + P =	166 mm
<b>Bottomrail</b>	A + P =	203 mm



# MANUAL DUPLEX SYSTEM WITH 70 mm TUBE

SCHEMATIC DIAGRAM | DESPIECE DEL SISTEMA

## LEGEND | LEYENDA

NO.	DESCRIPTION	CODE	QTY	UNIT
1	2 3/4" (70 mm) Galvanized Steel Grooved Tube (Available in 19.6'   6 m)	0-154-TU-G7021	1	FT
2	2 3/4" (70 mm) Nylon Gear Box Holder	0-140-07-70330	1	EA
3	2 3/4" (70 mm) Nylon Point (with 12 mm Round Tip Axis)	0-140-07-70367	1	EA
4	Gear Box 1:16 - White	0-140-07-71115	1	EA
5	Hand Crank Model Roma - White 3.2'   1.00 m (10), 4.0'   1.20 m (15), 5.0'   1.50 m (20), 5.5'   1.70 m (25), 6.5'   2.00 m (30), 7.2'   2.20 m (35), 8.2'   2.50 m (40)	0-140-07-730XX	1	EA
6	Duplex Set - White	0-140-07-50025	1	SET
7	Flat Awning 80x40 Alum. Profile 16.4'   5 m - White	0-140-07-13051	3	FT
8	Articulated Arm Set - White 6.5'   2.00 m (20), 8'   2.50 m (30)	0-140-07-317XX	2	SET
9	Terminal Kit - White	0-140-07-31701	2	SET
10	Delfin Plus Profile 2 3/4"   70 mm - White (Available in 19.6'   6 m)	0-140-07-34705	2	SET
11	Delfin Plus Plug Kit 3"   75 mm - White	0-140-07-34700	2	SET
12	Ground Support - White	0-140-07-50010	2	EA
13	Duplex Roof - White (Max. Projection: 16.4'   5 m. Optional Accessory)	0-140-07-93025	1	FT
14	Aluminum Roof Taps Kit - White (Optional Accessory)	0-140-07-30010	1	SET

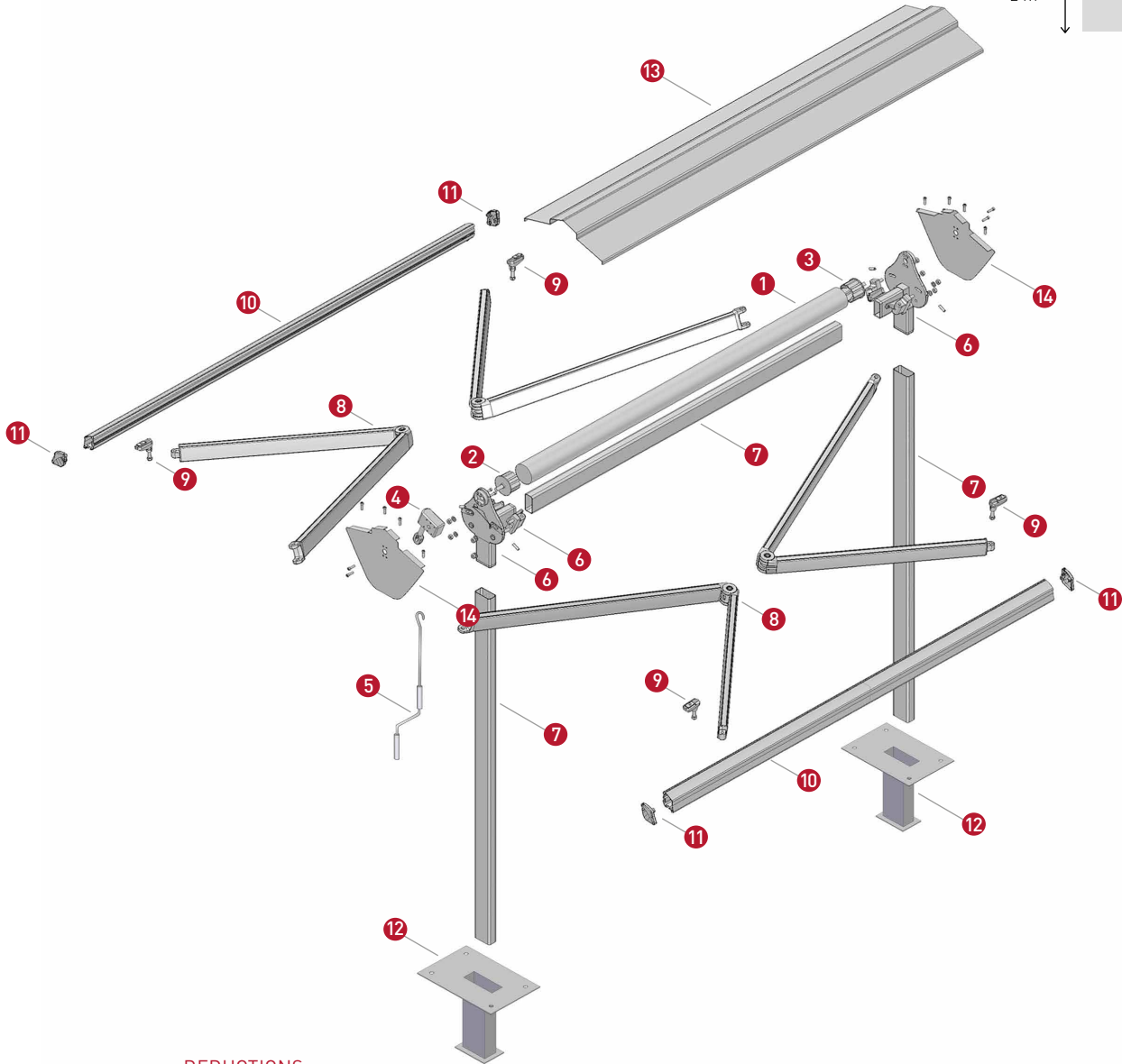


# MANUAL DUPLEX SYSTEM WITH 78 mm TUBE

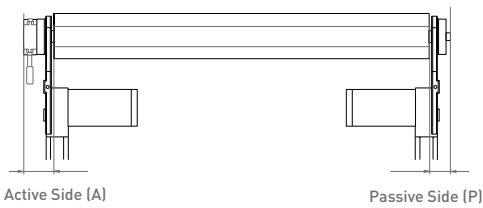
SCHEMATIC DIAGRAM | DESPIECE DEL SISTEMA

MAXIMUM  
SHADE SIZE  
236"  
6 m

79"  
2 m



### DEDUCTIONS



Roller Tube	A + P =	166 mm
Bottomrail	A + P =	203 mm



# MANUAL DUPLEX SYSTEM WITH 78 mm TUBE

SCHEMATIC DIAGRAM | DESPIECE DEL SISTEMA


## LEGEND | LEYENDA

NO.	DESCRIPTION	CODE	QTY	UNIT
1	3" (78 mm) Galvanized Steel Grooved Tube (Available in 19.6'   6 m)	0-154-TU-G7821	1	FT
2	3" (78 mm) Nylon Point (with 12 mm Round Tip Axis)	0-140-07-70325	1	EA
3	3" (78 mm) Aluminum Gear Box Holder	0-140-07-70310	1	EA
4	Gear Box 1:16 - White	0-140-07-71115	1	EA
5	Hand Crank Model Roma - White 3.2'   1.00 m (10), 4.0'   1.20 m (15), 5.0'   1.50 m (20), 5.5'   1.70 m (25), 6.5'   2.00 m (30), 7.2'   2.20 m (35), 8.2'   2.50 m (40)	0-140-07-730XX	1	EA
6	Duplex Set - White	0-140-07-50025	1	SET
7	Flat Awning 80x40 Alum. Profile 16.4'   5 m - White	0-140-07-13051	3	FT
8	Articulated Arm Set - White 6.5'   2.00 m (20), 8'   2.50 m (30)	0-140-07-317XX	2	SET
9	Terminal Kit - White	0-140-07-31701	2	SET
10	Delfin Plus Profile 2 3/4"   70 mm - White (Available in 19.6'   6 m)	0-140-07-34705	2	SET
11	Delfin Plus Plug Kit 3"   75 mm - White	0-140-07-34700	2	SET
12	Ground Support - White	0-140-07-50010	2	EA
13	Duplex Roof - White (Max. Projection: 16.4'   5 m. Optional Accessory)	0-140-07-93025	1	FT
14	Aluminum Roof Taps Kit - White (Optional Accessory)	0-140-07-30010	1	SET



## DUPLEX SYSTEM

COMPATIBLE GEAR BOXES | MÁQUINAS COMPATIBLES

PICTURE	DESCRIPTION	RATIO	MAX. WEIGHT CAPACITY	GEAR BOX WEIGHT
	<b>Awning Gear Box - White</b> 0-140-07-71115	1:16	145 kg	940 g



# DUPLEX SYSTEM

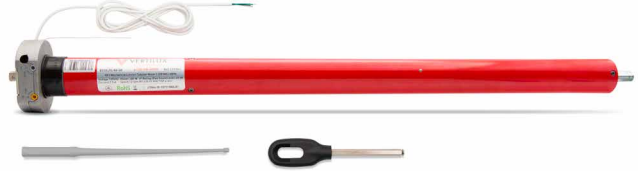
COMPATIBLE MOTORS | MOTORES COMPATIBLES

## SERIE Ø45

---



**VTi® Celtic Mechanical Limits Motor | 50 Nm**  
6-700-CM-45R50 (120V) | 6-700-CN-45R50 (230V)



**VTi® Celtic Mechanical Limits | Manual Override Motor | 50 Nm**  
6-700-CM-45M50 (120V) | 6-700-CN-45M50 (230V)

## SERIE Ø55

---



**VTi® Celtic Mechanical Limits | Manual Override Motor | 100 Nm**  
6-700-CM-55M00 (120V) | 6-700-CN-55M00 (230V)



**VTi® Celtic Mechanical Limits | Manual Override Standard Motor | 100 Nm**  
6-700-CN-55S00 (230V)

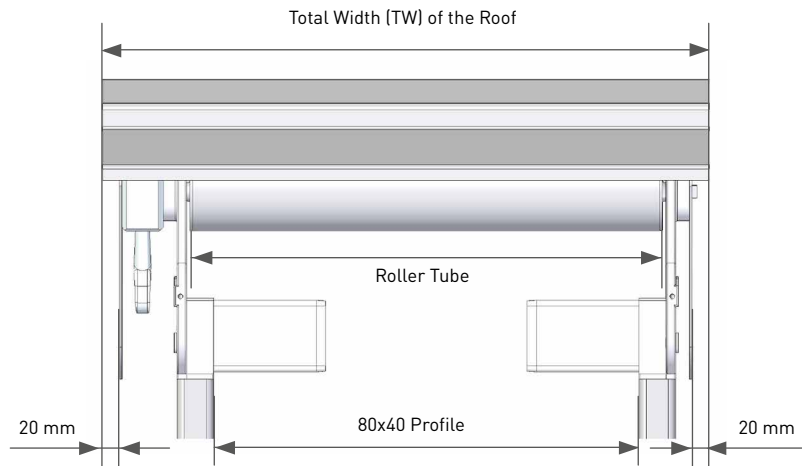




# DUPLEX SYSTEM

DEDUCTIONS | DEDUCCIONES

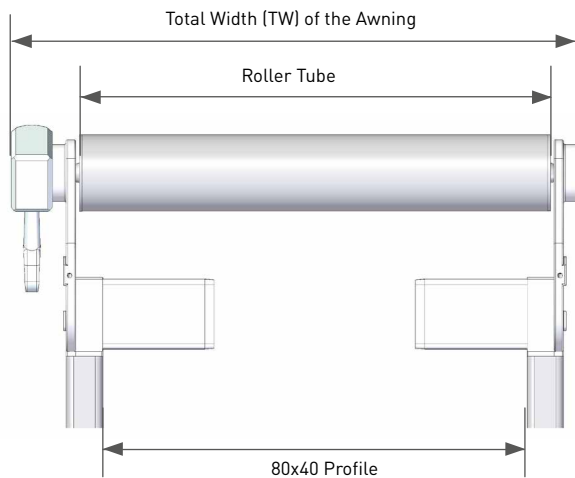
## WITH ROOF



WITH ROOF		
	Motor	Gear Box
Roller Tube	TW - 136 mm	TW - 166 mm
80 x 40 Profile	TW - 153 mm	TW - 203 mm
Roof	TW	TW

\*TW = Total width of the roof.

## ROOFLESS



ROOFLESS		
	Motor	Gear Box
Roller Tube	TW - 91 mm	TW - 117 mm
80 x 40 Profile	TW - 108 mm	TW - 153 mm

\*TW = Total width of the awning.

\*\* This chart is provided as a reference for deduction calculation purposes. However, some variations are possible. Vertilux strongly recommends the validation of the specific deductions for every particular project.



**VERTILUX**

IDEAS FOR YOUR SPACE

1.800.356.8837

[sales@vertilux.com](mailto:sales@vertilux.com)

[vertilux.com](http://vertilux.com)