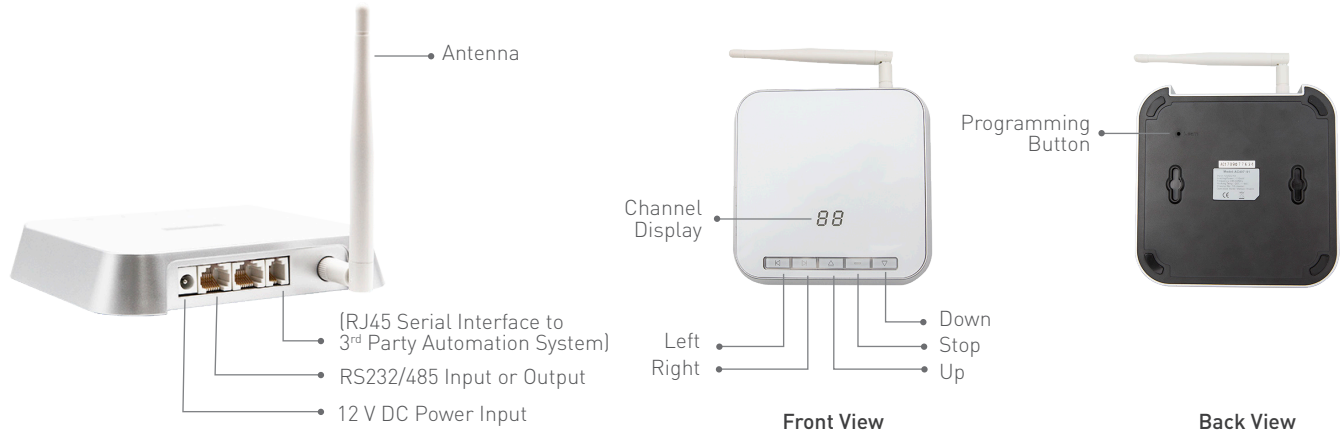




VTi® CELTIC SERIAL INTERFACE

6-700-AT-R1485



FEATURES

- Compatible with VTi® Celtic RF Motors.
- Easily integrate shade control with 3rd party automation systems that are capable of communicating via RS485 or RS232.
- Capable of handling up to 16 channels per unit.
- Possibility to add a total of 256 channels by linking up to 16 Vertilux Serial Interfaces via a daisy chain scheme.
- Desktop or wall mounted installation.

Note:
-USB to Serial Converter (6-700-CK-RS485) is required for setup.

TECHNICAL SPECS

Model	6-700-AT-R1485
Channels	16 Channels
Colors	White & Silver
Net Weight	0.56 lb 236 g
Gross Weight	1.48 lb 671 g
Power Input	12 V DC
Rated Current	1 A
Radio Frequency	433.92 MHz
Index Protection Rating	IP 20
Radiated Power	≤10mW
Power Supply	AC100-240 V to 12 V DC 50/60 Hz 0.5 A
Range	328 ft 100 m (free field)
Working Temperature	-17 ~ 140°F -27 ~ 60°C
Certificates	FCC & CE Compliant
Price	--

IN THE BOX

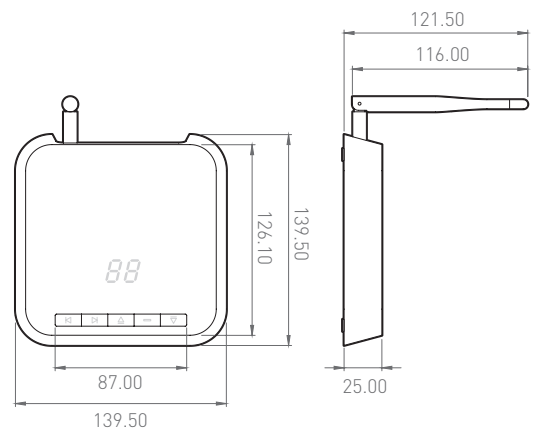


Power Supply



Screws for Wall Mount

DIMENSIONS



*All measurements are reflected in millimeters.