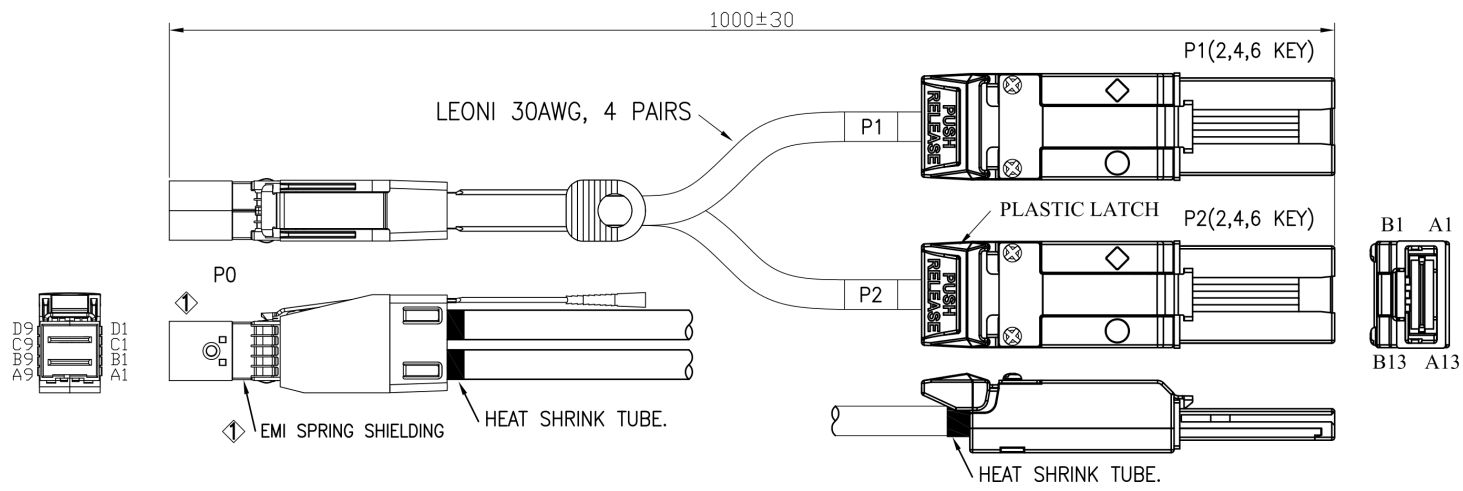


REV.	REMARK	DATE	SIGN.
①	CHANGE CONNECTOR & PCB	01/30/'13	

RoHS



MATERIAL RoHS COMPLIANT:

1.CABLE:

CONDUCTOR: 30 AWG SOLID SILVER PLATED COPPER.
 INSULATION: SKIN-FOAM-SKIN
 PAIR: 2 WIRES, WH AND YE PARALLEL.
 CORE: 4 PAIRS
 PAIR DRAIN WIRE: $\phi 0.2$ mm (32AWG) TINNED COPPER.
 PAIR SHIELD: ALUMINUM FOIL OVERLAPPED, ALU INSIDE.
 INNER SHIELD: ALUMINUM FOIL OVERLAPPED, APPLIED LONGITUDINALLY.
 OUTER SHIELD: 38 AWG TINNED COPPER BRAID, 85% COVERAGE.
 DIAMETER: 5.1 ± 0.2 mm
 PRINT LEGEND: "LEONI High Speed Cables ParaLink®-11
 100 Ω 4pairs 30AWG (shielded) (UL) E116441 CL2 75°C"
 DIFFERENTIAL IMPEDANCE: 100 ± 5 OHM.

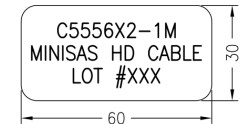
2.CONNECTOR:

- P0: Mini SAS HD 4x CABLE PLUG (SFF-8644)
 ① (1) P.C.B: 4 LAYERS, GOLD PLATING ON CONTACT PADS, WITHOUT CARBON
 (P/N: MPCB-040113LF REV.A / SPCB-040114A)
 (2) LATCH: STAINLESS STEEL
 (3) BACKSHELL- ZINC DIE CASTING HOOD/ NICKEL PLATING
 (4) PULL TAB: NYLON UL94V-0, COLOR: BLUE.
 ① (5) EMI SPRING SHIELDING
 P1,P2: Mini SAS 4x CABLE PLUG - 26CKT CONNECTOR (SFF-8088)
 (1) P.C.B: 4 LAYERS, GOLD PLATING ON CONTACT PADS.
 (2) LATCH: STAINLESS STEEL
 (3) BACKSHELL: ZINC DIE CASTING HOOD/ NICKEL PLATING
 (4) WITH EXTERNAL UNIVERSAL KEY

3.FOR SAS 6.0 Gbps.

4.TWO-WIRED SERIAL MEMORY: ATMEL AT24C02B EEPROM (256 BYTES).

5.LABELING ON BAG:



DATA STORAGE CABLES

DESC.	Mini SAS HD 4x/Mini SAS 4x*2 CABLE ASS'Y	APPROVED	CHECKED	DESIGNED	TOLERANCE	SCALE	*	UNIT	mm	
P/N	C5556X2-1M	CUSTOMER P/N					DATE	01/30/'13	DWG NO:	DWG\RC\5948

1 2 3 4 5 6 7 8 9