

1	2	3	4	5	6	7	8	9
REV.	REMARK	DATE	SIGN.					

RoHS

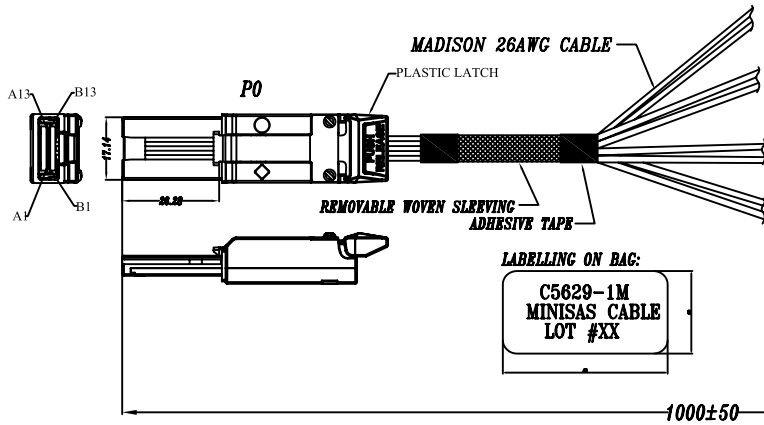
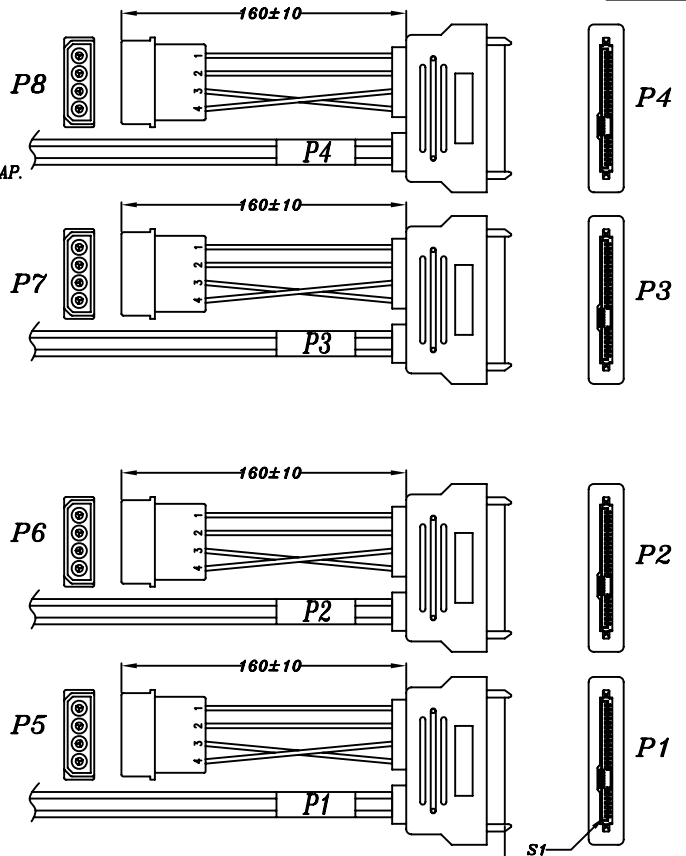
**MATERIAL RoHS COMPLIANT:**

**CABLE**

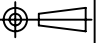
CONDUCTOR: 26AWG SOLID SILVER PLATED COPPER.  
 INSULATION: FOAM POLYOLEFIN.  
 PAIR: 2 SINGLES LAID FLAT AND PARALLEL.  
 PAIR DRAIN WIRE: 28AWG SOLID SILVER PLATED COPPER.  
 PAIR SHIELD: ALUMINUM/POLYESTER TAPE. ALUMINUM SIDE FACING IN, 25% OVERLAP.  
 INNER SHIELD: ALUMINUM/POLYESTER TAPE, ALUMINUM SIDE PACING OUT, 25% OVERLAP.  
 DIFFERENTIAL IMPEDANCE: 100±5 OHMS @TDR  
 UL LISTING: TYPE CL2 AS SPECIFIED IN ARTICLE 725 OF THE NATIONAL ELECTRICAL CODE. TURBO TWIN™, MADISON

**CONNECTOR:**

P0: Mini SAS 4x CABLE PLUG - 26CKT CONNECTOR.  
 (1) P.C.B: FR4, 4 LAYERS  
 (2) LATCH: STAINLESS STEEL  
 (3) BACKSHELL- ZINC DIE CASTING HOOD/ NICKEL PLATING  
 (4) WITH EXTERNAL UNIVERSAL KEY  
 P1~P4 SAS DRIVE CABLE RECEPTACLE  
 P5~P8 4PIN POWER MALE CONNECTOR  
 POWER CABLE: UL 1007 22AWG 80°C 300V



DataStorageCables.com		DESC. Mini SAS 4x TO 4xSAS drive cable rec. with power cable ass'y	APPROVED	CHECKED	DESIGNED	TOLERANCE	SCALE 1 = 1	UNIT mm	①
P/N	C5629-1M	CUSTOMER P/N			SHIH		DATE 02/05/09	DWC NO: DWC/RC/3018	

1	2	3	4	5	6						
<b>REV.</b>	<b>REMARK</b>	<b>DATE</b>	<b>SIGN.</b>								
<b>I</b>	<b>WIRING DIAGRAM</b>				<b>I</b>						
	<b>MINI SAS 4X (P0)</b>	<b>SAS DRIVE CABLE REC.</b>		<b>4P POWER PLUG</b>							
	<b>PIN</b>	<b>SIGNAL</b>	<b>REC.</b>	<b>PIN</b>	<b>SIGNAL</b>						
<b>H</b>	A2	RX0+	P1	S6	TP+	P5					
	A3	RX0-		S5	TP-						
	B3	TX0-		S3	RP-						
	B2	TX0+		S2	RP+						
	GND GROUP	GND		S1,S4,S7	GND						
				P13,P14,P15	+12V			1	+12V		
			P10,11,12	GND		2	GND				
			P7,P8,P9	+5V		4	+5V				
			P4,P5,P6	GND		3	GND				
<b>G</b>	A5	RX1+	P2	S6	TP+	P6					
	A6	RX1-		S5	TP-						
	B6	TX1-		S3	RP-						
	B5	TX1+		S2	RP+						
	GND GROUP	GND		S1,S4,S7	GND						
				P13,P14,P15	+12V			1	+12V		
<b>F</b>			P10,11,12	GND		2	GND				
			P7,P8,P9	+5V		4	+5V				
			P4,P5,P6	GND		3	GND				
<b>E</b>	A8	RX2+	P3	S6	TP+	P7					
	A9	RX2-		S5	TP-						
	B9	TX2-		S3	RP-						
	B8	TX2+		S2	RP+						
	GND GROUP	GND		S1,S4,S7	GND						
				P13,P14,P15	+12V			1	+12V		
			P10,11,12	GND		2	GND				
			P7,P8,P9	+5V		4	+5V				
			P4,P5,P6	GND		3	GND				
<b>D</b>	A11	RX3+	P4	S6	TP+	P8					
	A12	RX3-		S5	TP-						
	B12	TX3-		S3	RP-						
	B11	TX3+		S2	RP+						
	GND GROUP	GND		S1,S4,S7	GND						
				P13,P14,P15	+12V			1	+12V		
<b>C</b>			P10,11,12	GND		2	GND				
			P7,P8,P9	+5V		4	+5V				
			P4,P5,P6	GND		3	GND				
<b>B</b>	GND GROUP: A1,A4,A7,A10,A13 B1,B4,B7,B10,B13										
<b>A</b>	<b>DataStorageCables.com</b>		<b>DESC.</b>	Mini SAS 4x TO 4*SAS drive cable rec. with power cable ass'y							
			<b>P/N</b>	C5629-1M	<b>CUSTOMER P/N</b>						
			<b>APPROVED</b>	<b>CHECKED</b>	<b>DESIGNED</b>	<b>TOLERANCE</b>	<b>SCALE</b>	1 = 1	<b>UNIT</b>	mm	
					<b>SHIH</b>		<b>DATE</b>	02/05/09	<b>DWG NO:</b>	DWG/RC/3018	
	1	2	3	4	5	6					