



Multi-Function Toy Box



This easy-to-build toy box is made with pre-milled lumber, plywood, and hardware available at any home centre. The only tools required are a circular saw, a drill, a jigsaw, and a pocket hole jig!

The Multi-Function Toy Box is the 2014 Woodworkers Fighting Cancer charity project. Learn more about this yearly event at WoodworkersFightingCancer.com.



Design: Marc Spagnuolo & Scott Seganti Plans: Marc Spagnuolo & Aaron Marshall
Copyright © 2014, The Wood Whisperer, Inc. TheWoodWhisperer.com



Cut List

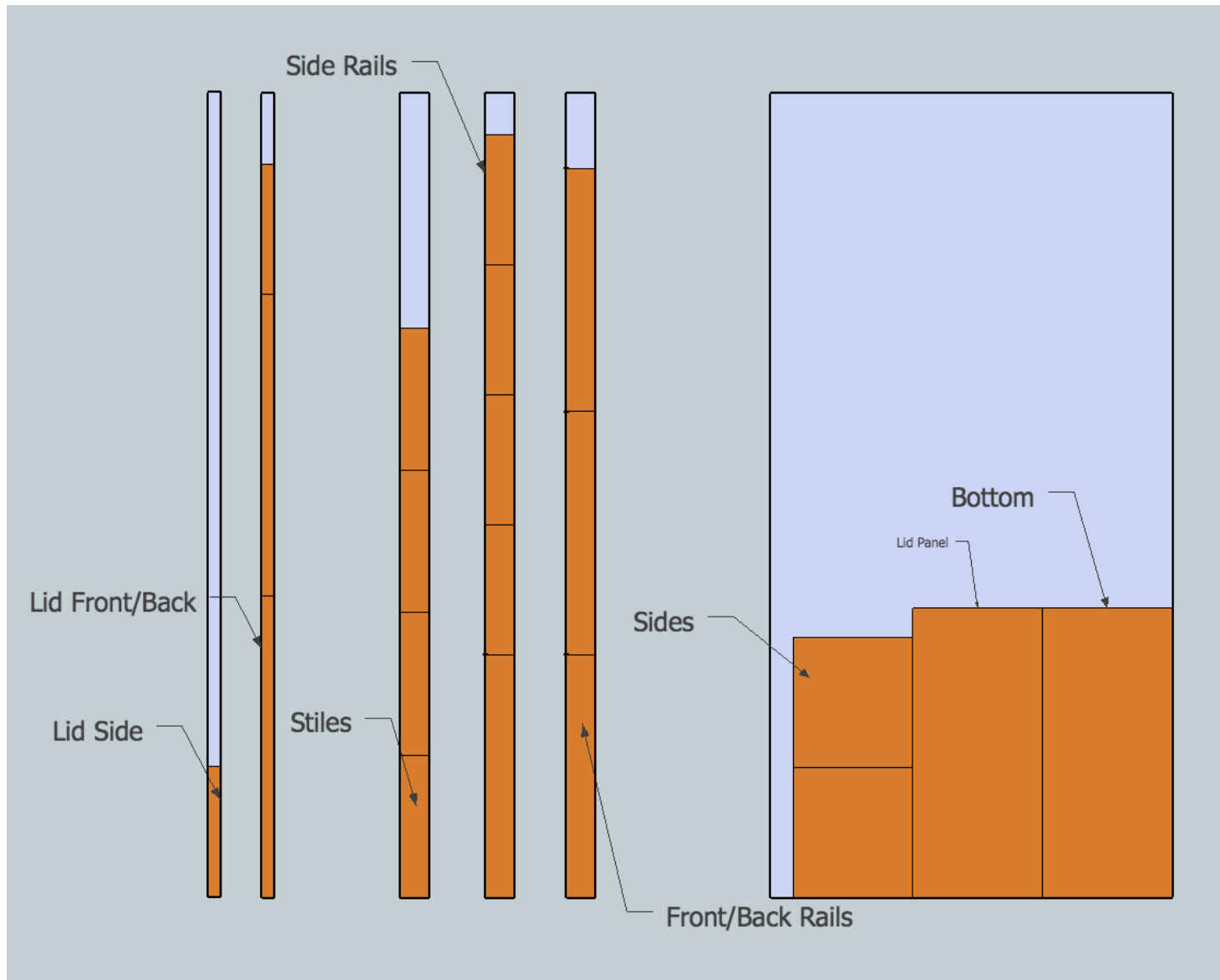
| | Part ID | Part Description | Material | Qty | Length | Width | Thickness |
|------|---------|------------------------|------------------|-----|---------|---------|-----------|
| Case | A | Front/Back Rails | Pre-milled Stock | 4 | 29" | 3 1/2" | 3/4" |
| | B | Side Rails | Pre-milled Stock | 4 | 15 1/2" | 3 1/2" | 3/4" |
| | C | Stiles | Pre-milled Stock | 4 | 17" | 3 1/2" | 3/4" |
| | D | Sides (See Note 1) | 3/4" Plywood | 2 | 14 1/4" | 15 1/2" | 3/4" |
| | E | Bottom (See Note 1) | 3/4" Plywood | 1 | 34 1/2" | 15 1/2" | 3/4" |
| | F | Front/Back Panels | 1/4" Whiteboard | 2 | 30" | 11 3/4" | 1/4" |
| Lid | G | Front/Back Trim | Pre-milled Stock | 2 | 36" | 1 1/2" | 3/4" |
| | H | Side Trim | Pre-milled Stock | 2 | 15 1/2" | 1 1/2" | 3/4" |
| | I | Lid Panel (See Note 1) | 3/4" Plywood | 1 | 34 1/2" | 15 1/2" | |
| Misc | J | Cleats (See Note 2) | Pre-milled Stock | 6 | | 3/4" | 3/4" |
| | K | Dowel Plugs | 3/8" Dowel Stock | | | | |

| | Material | Length | Width | Qty |
|--------|-------------------|--------|--------|-----|
| Totals | Pre-Milled Lumber | 8' | 3 1/2" | 3 |
| | Pre-Milled Lumber | 8' | 1 1/2" | 2 |
| | Plywood | 8' | 4' | 1 |

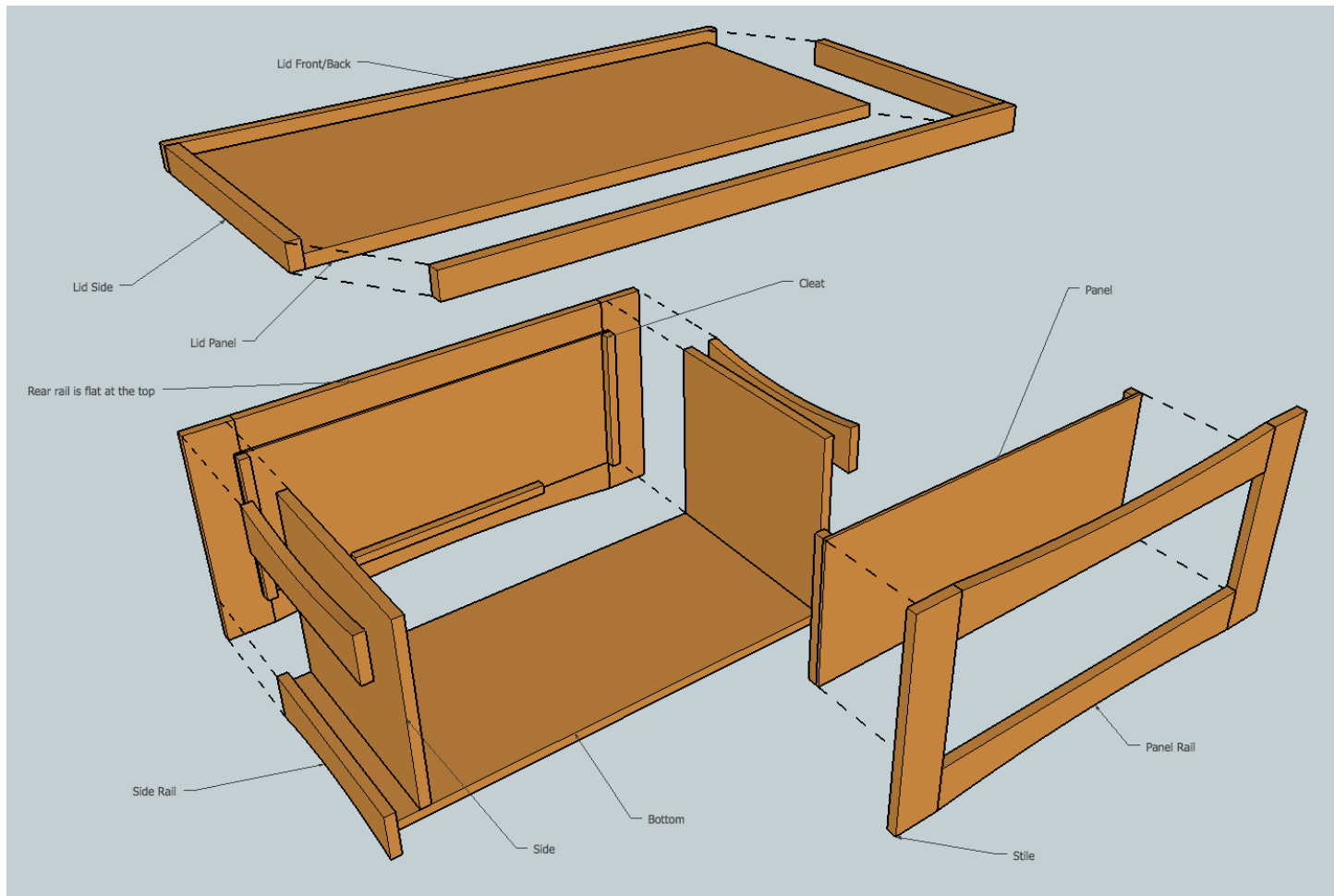
Notes

Notes: (1) Sides, Bottom, and Lid are cut to width at the same time to ensure they are exactly the same. Bottom and Lid panels are cut to length after case frame is assembled taking measurements from the case itself. (2) Cleats can be cut from scraps. Final dimensions aren't critical.

Cut Diagram

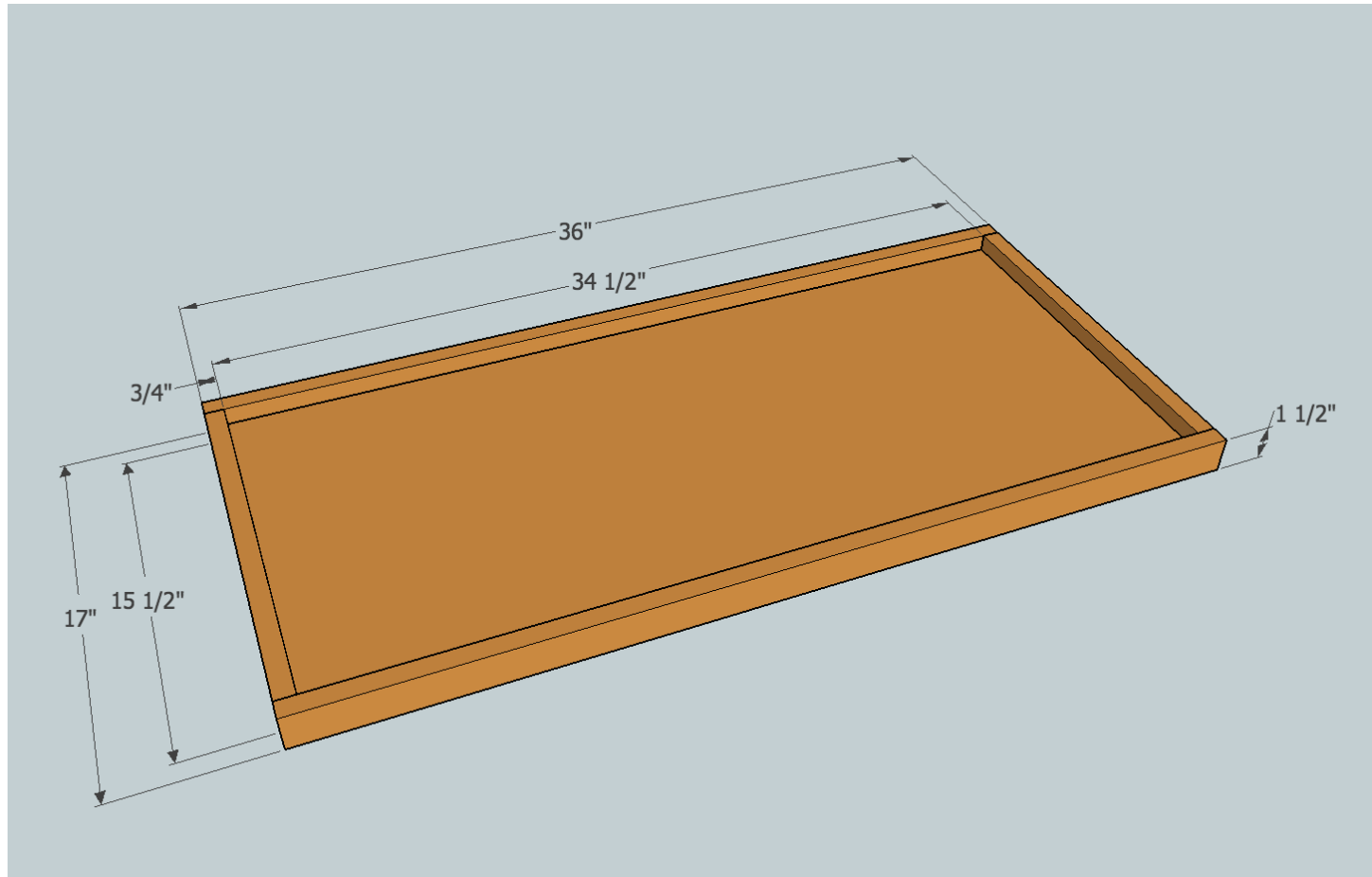


Exploded View

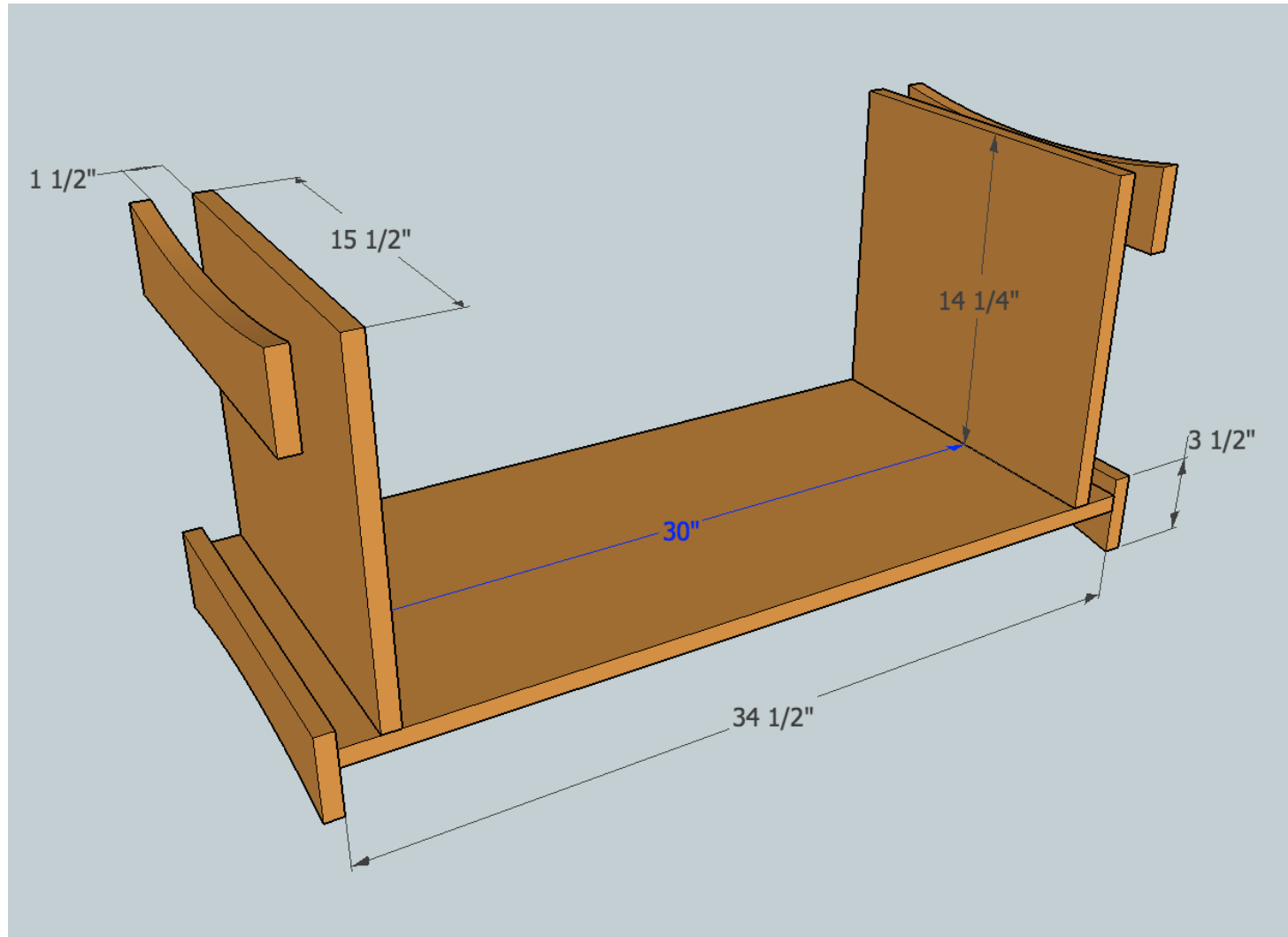




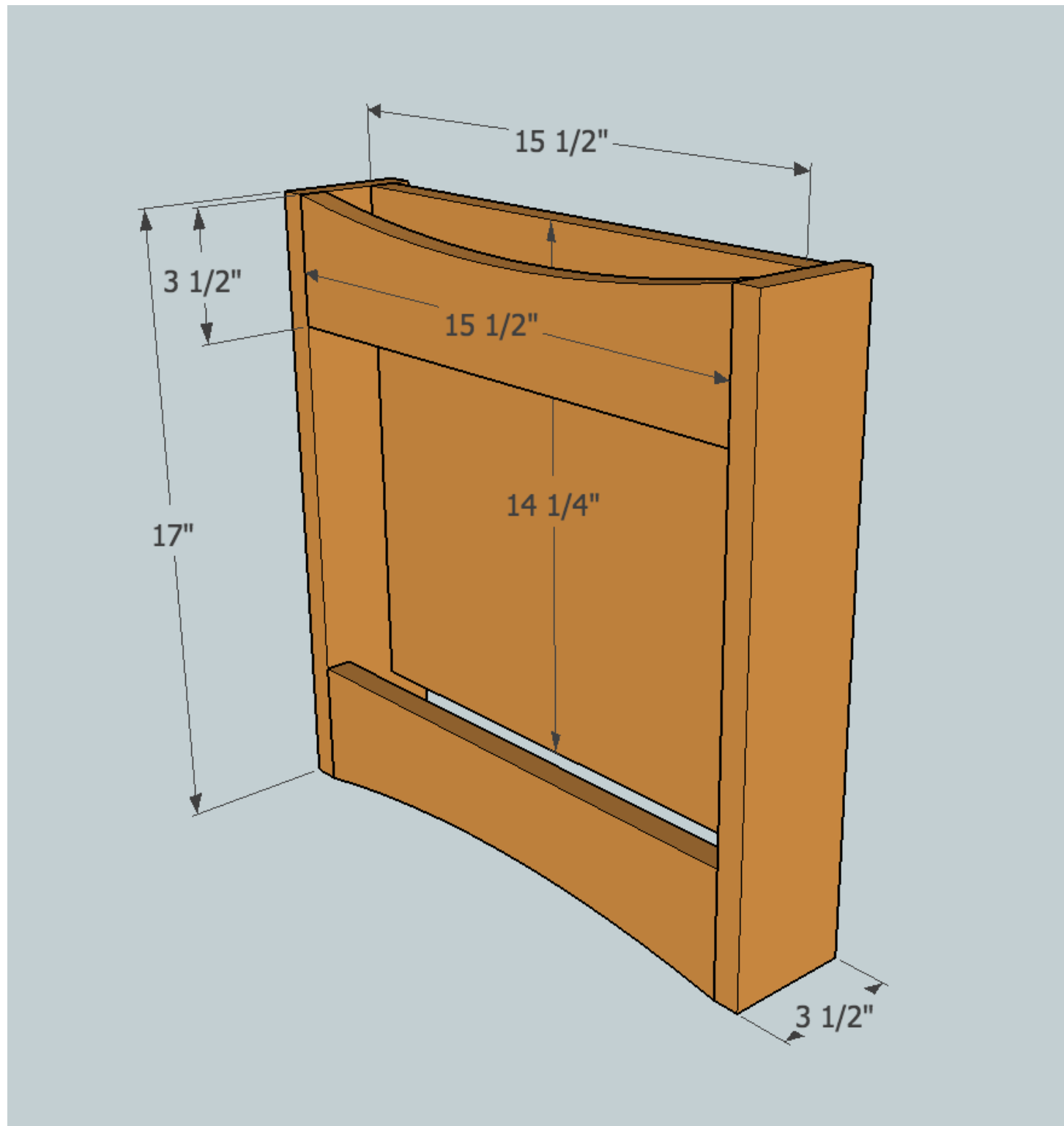
The Lid



Box Interior



Side Sub-Assembly



Front/Back

