



# Outdoor Sitting Bench



This simple yet elegant outdoor bench is built to last for decades outdoors. We offer two versions: basic and fancy. As designed, the project features numerous mortise and tenon joints but you can easily substitute dowels, Dominos, or pocket screws and still end up with a great-looking bench.

Check out the accompanying video for this project:

[www.thewoodwhisperer.com/videos/outdoor-sitting-bench](http://www.thewoodwhisperer.com/videos/outdoor-sitting-bench)

For more FREE project and technique videos: [www.thewoodwhisperer.com](http://www.thewoodwhisperer.com)



# Cut List

	Part ID	Part Description	Material	Qty	Length	Width	Thickness
Top	A	Top Rails	4/4 Solid Stock	2	48"	2 1/2"	3/4"
	B	Top Slats (Narrow)	4/4 Solid Stock	17	13"	2"	3/4"
	C	Top Slats (Wide)	4/4 Solid Stock	2	13"	2 1/2"	3/4"
Base	D	Aprons (Long)	4/4 Solid Stock	2	44 1/2"	2 1/2"	3/4"
	E	Aprons (Short)	4/4 Solid Stock	2	12 1/2"	2 1/2"	3/4"
	F	Cleats	4/4 Solid Stock	2	42"	1"	3/4"
	G	Legs (See Note)	4/4 Solid Stock	4	16 1/4"	2 1/4"	2 1/4"

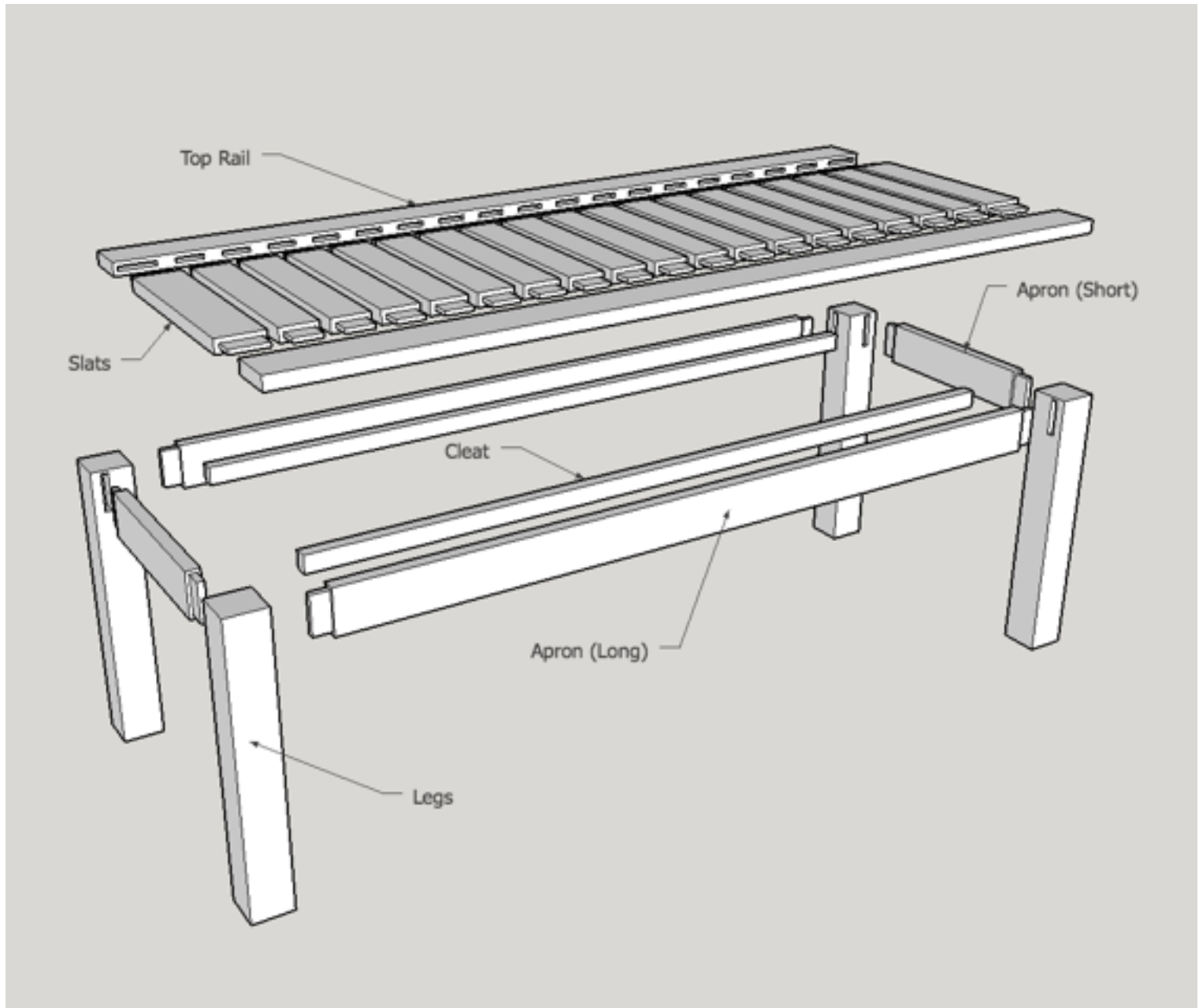
Totals	Material	Board Feet	Board Feet +20%
	4/4 Solid Stock	10	12

## Notes

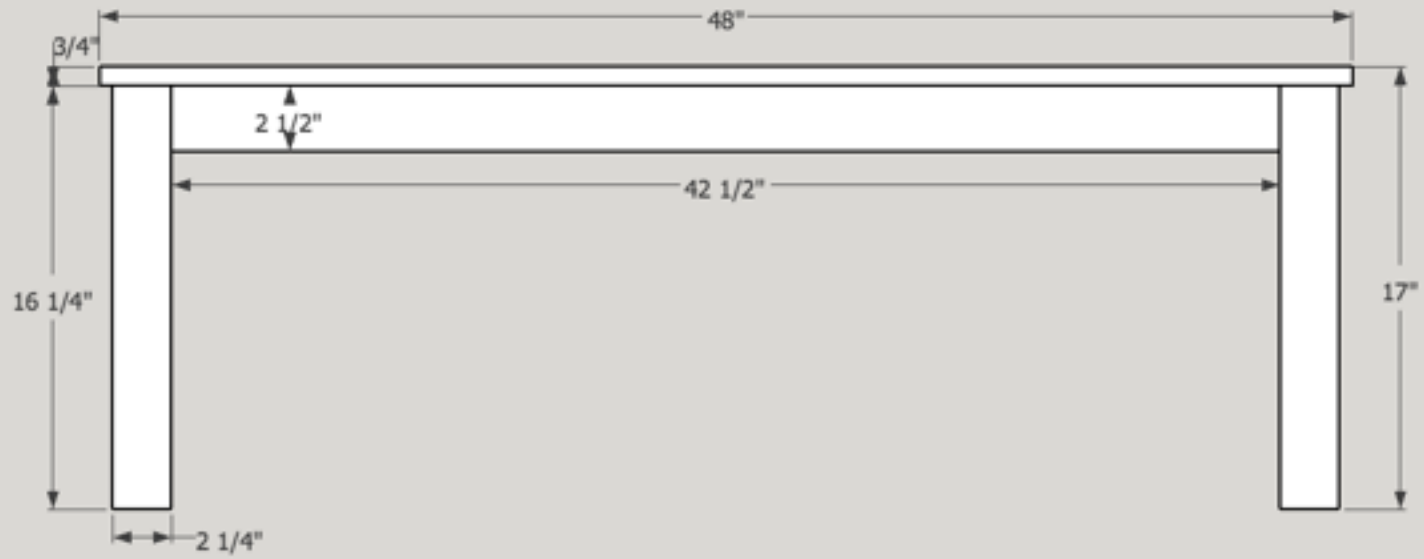
Each leg is made up of three pieces of 4/4 stock glued together to obtain the final width and thickness of 2 1/4". It's a good idea to keep the boards oversized in thickness and width so you can trim them to final dimension after the glueup. If the legs come out less than 2 1/4" in either width or thickness, that's OK. Just make them square and get as close to 2 1/4" as you can.



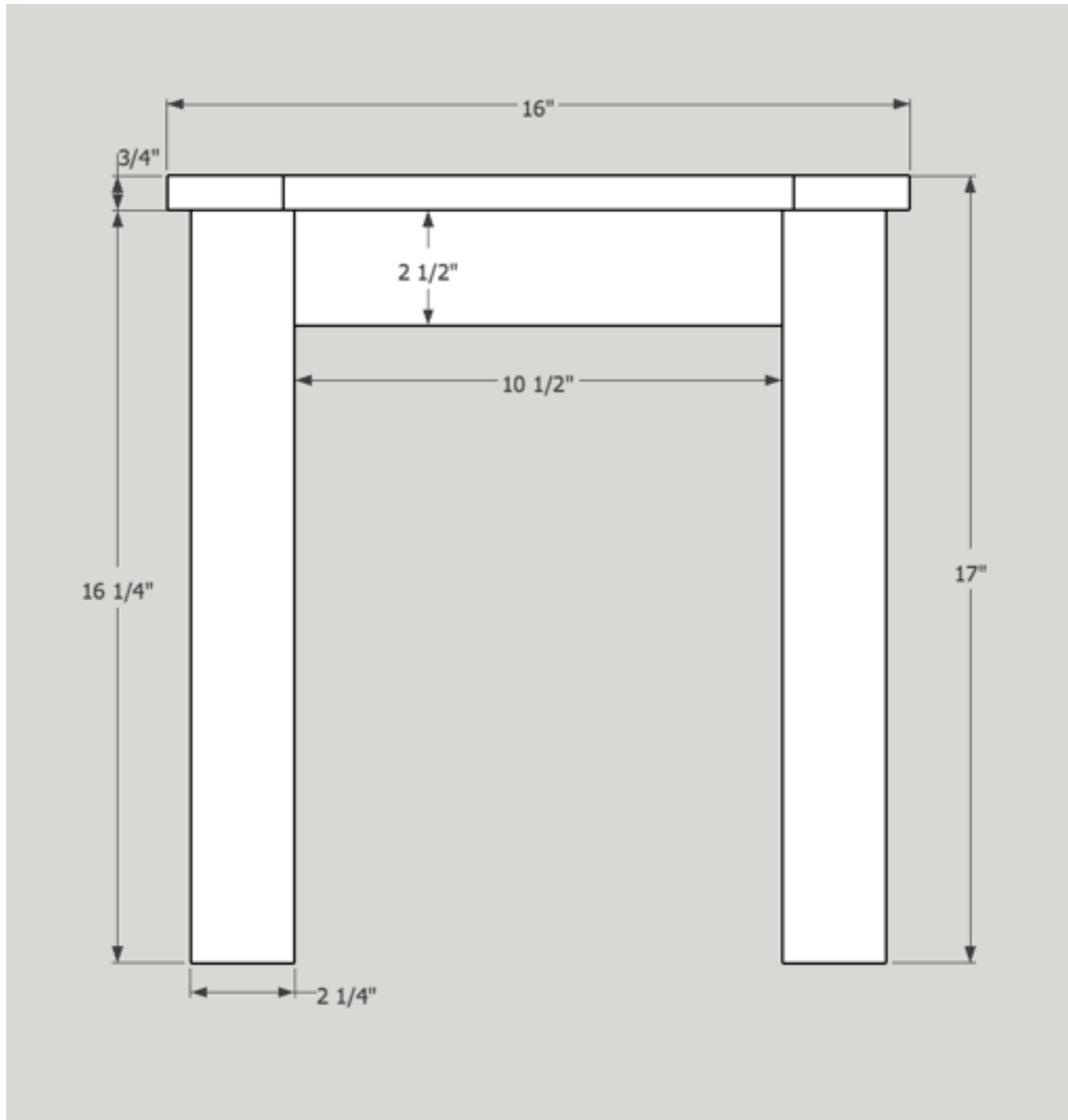
# Exploded



# Front



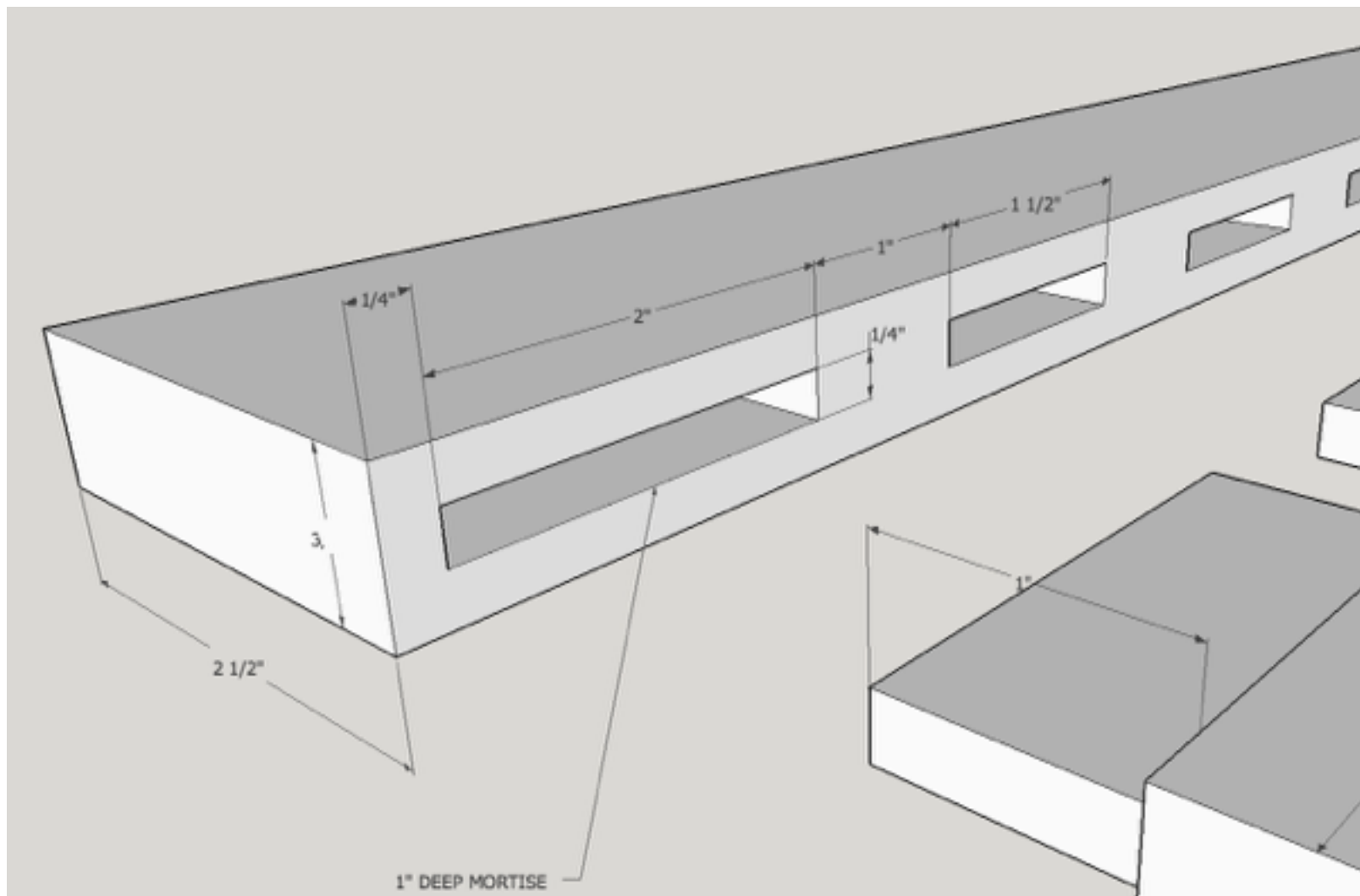
# Side







# Slat Joinery





## Fancy Version

