

# Large Mirror



This simple yet elegant mirror would look at home in just about any modern or classic decor. Built from figured maple featuring strong half-lap joinery, this mirror will serve you well in a bathroom or any other room in the house.



# Cut List

	Part ID	Part Description	Material	Qty	Length	Width*	Thickness
Frame	A	Vertical Stiles	4/4 Solid Wood	2	37"	3"	3/4"
	B	Horizontal Top Rail	4/4 Solid Wood	1	32"	3"	3/4"
	C	Horizontal Lower Rail	4/4 Solid Wood	1	32"	4"	3/4"
Mirror	D	Mirror	1/4" Mirror Glass	1	31"	27"	1/4"
	E	Backer Board	1/4 Plywood	1	31"	27"	1/4"

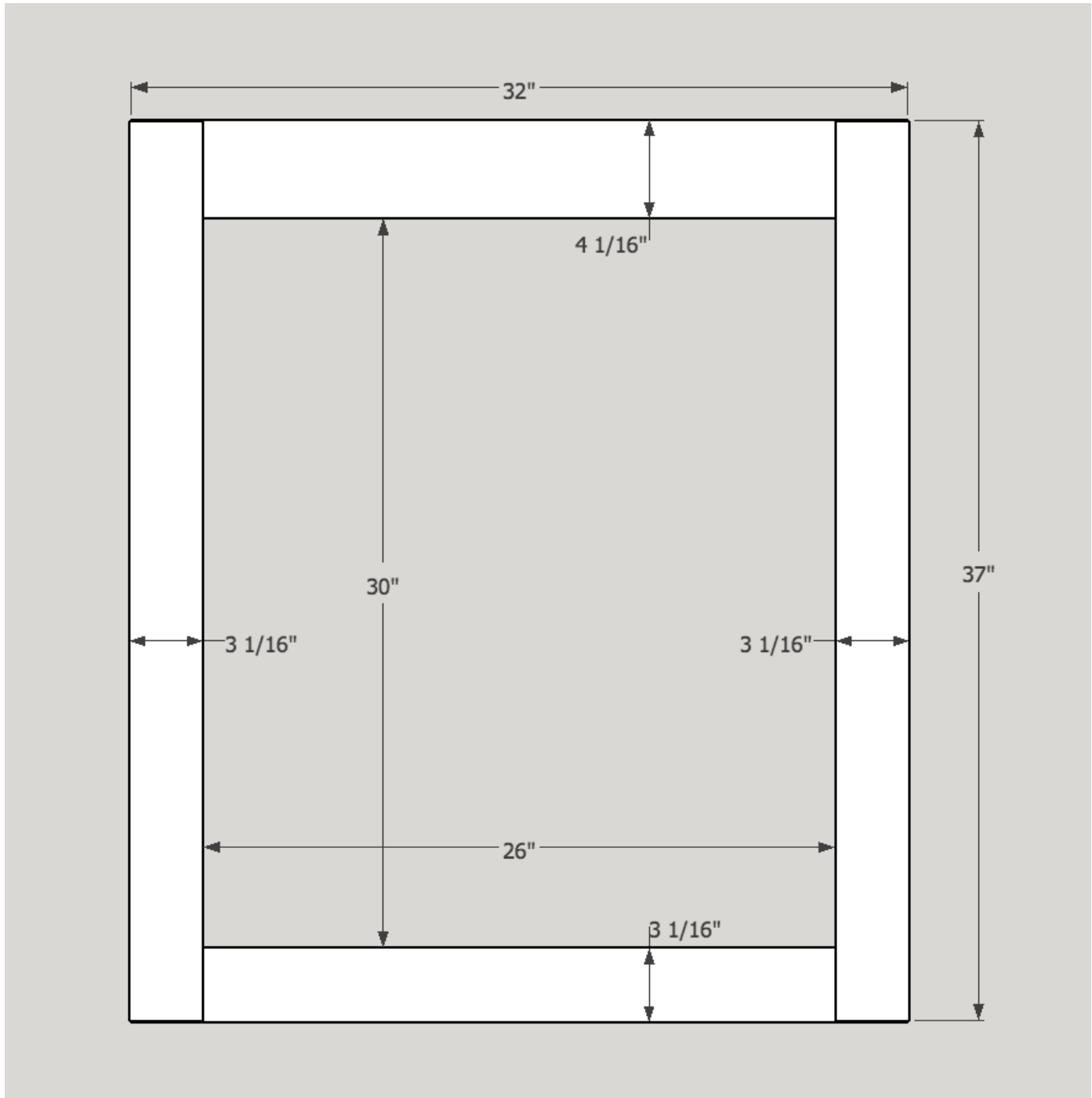
Totals	Material	Board Feet	Purchase Quantity
	4/4 Solid Wood	3.1 BF	4 BF

## Notes

Notes: (\*) Be sure to add 1/16" in width to all frame parts, as mentioned in the video as this will aid in clamping.

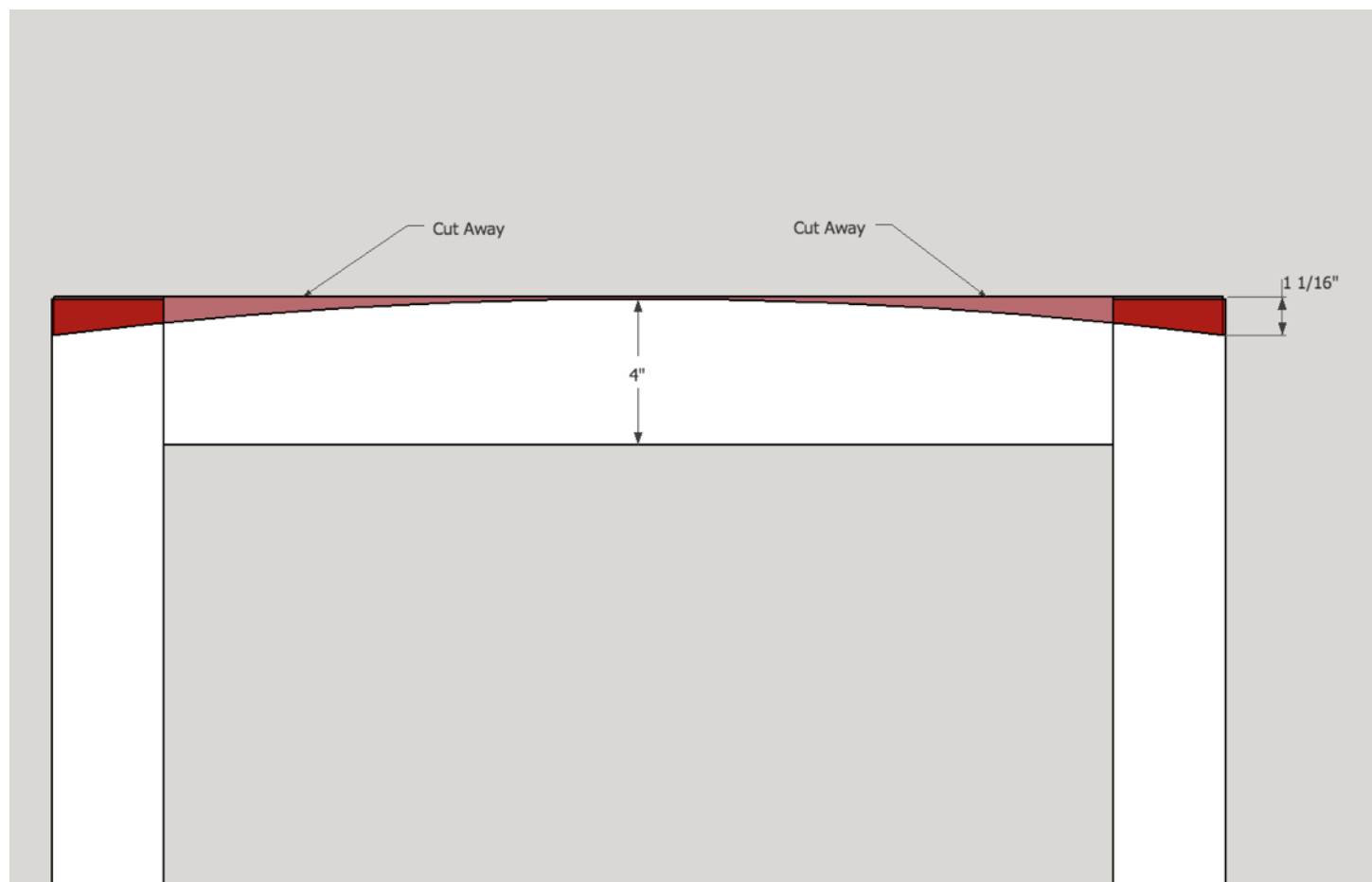


# Rough Dimensions



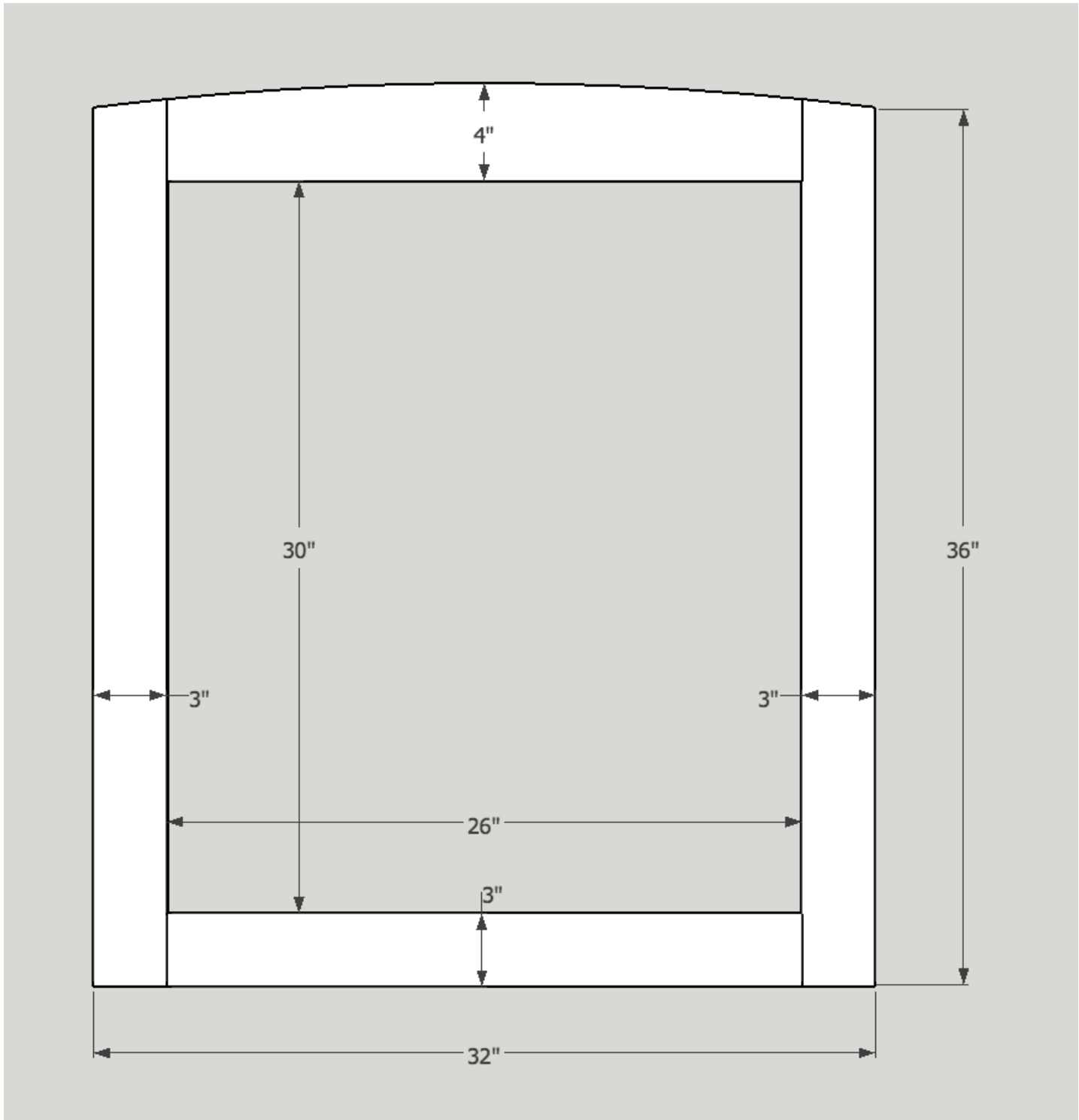


# Curve Details



Please Note: this curve is approximate and can be modified to suit your personal tastes.

# Final Dimensions





# Mirror & Backer

