

4-Channel Digital Input and 2-Channel Digital Output Safety Module PROFI-safe V2 iPar

24V/10A semiconductor power output

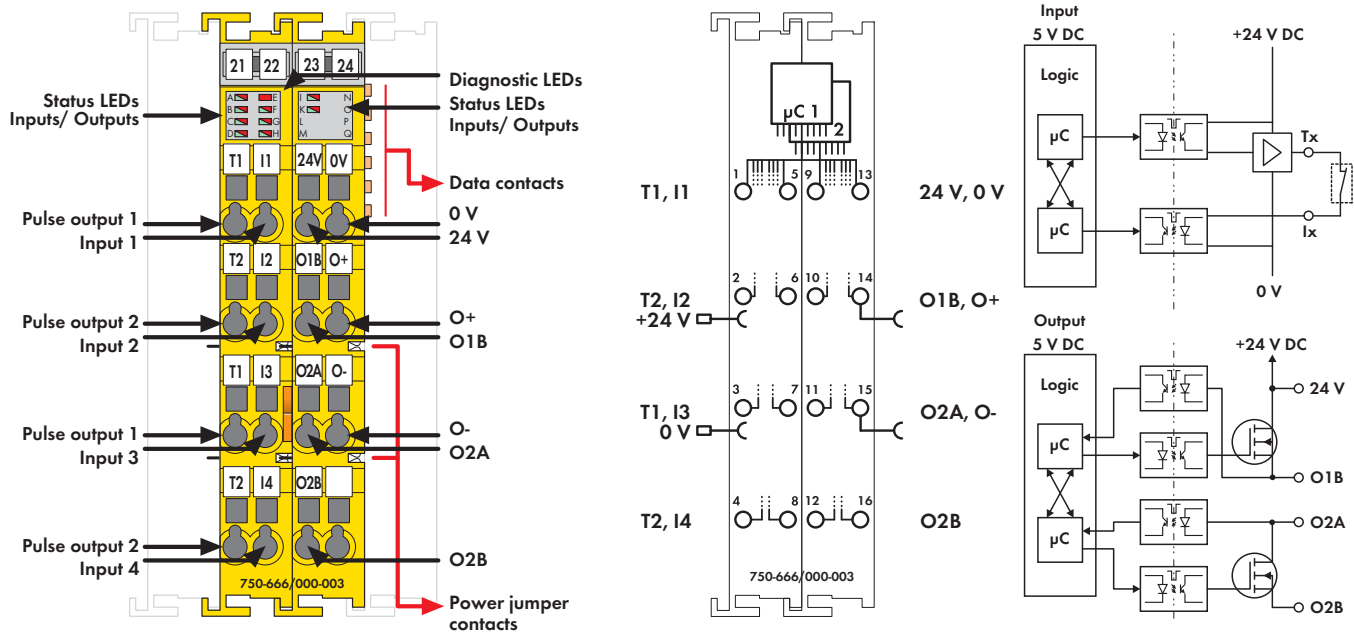


Fig. 750 Series
Delivered without miniature WSB markers

The 75x-666/000-003 module is equipped with 2 power outputs (O1 ... O2) and 4 clock sensitive inputs (I1 ... I4). The sensors can be supplied directly with 24V, or fed by 2 differently clocked outputs (T1 ... T2). The inputs connect potential-free, emergency-off switches with contacts, protection door switches, mode selectors, as well as both safety sensors and semiconductor outputs (e.g., light barriers, PLC outputs). The power outputs switch both DC 13 resistive and inductive loads with up to a 2A-rated current without requiring any additional external circuit. The power outputs operate in both bipolar (high-side/low-side switching) and unipolar (common potential on one side of the load) modes. The modules monitor short-circuits, cross circuits and 24V voltage supply from separate sources. Both the monitoring and additional safety relevant parameters (e.g., operating modes, switching off test pulses, discrepancy or filter times) can be configured via WAGO-I/O-CHECK.

The configuration tool can be conveniently integrated into engineering systems supporting both CC2 and CC3 tool calling interfaces (TCI). When exchanging modules, parameters are automatically downloaded into the control unit via PROFI-safe-compatible iPar server – depending on settings. The PROFI-safe address can be set using the DIP switch on the side of the module, or via WAGO-I/O-CHECK. The modules support both PROFI-safe V1 (PROFI-BUS) and V2 (PROFI-BUS, PROFINET) protocols. Individual input modules can be arranged in any combination when configuring the fieldbus node. **To protect the module against surge voltages (over-voltage protection acc. to IEC 61000-4-5), the filter module 750-626 or an external surge filter must be used the 24V supply voltage. Reference the product manual for further information (available in German and English).**

Description	Item No.	Pack. Unit
4FDI/2FDO 24V/10A PROFI-safe V2 iPar; power safety module with transistor output	750-666/000-003	1
4FDI/2FDO 24V/10A PROFI-safe V2 iPar; power safety module with transistor output (without connector)	753-666/000-003	1
Accessories	Item No.	Pack. Unit
753 Series connector	753-120	25
Coding elements	753-150	100
Miniature WSB Quick marking system plain	248-501	5
Miniature WSB Quick marking system with marking	see Section 11	
Standards and Approvals		
Safety standards	IEC 61508, parts 1-7, Edition 2: 2010; EN ISO 13849-1: 2008 + AC: 2009; EN 62061	
Conformity marking	CE	
Korea Certification		
Marine applications	GL	
UL 508	For use with 75°C wire only!	
ANSI/ISA 12.12.01	Class I, Div. 2, Grp. ABCD, T4	
TÜV 07 ATEX 554086 X	I M2 Ex d I Mb, II 3 G Ex nA IIC T4 Gc, II 3 D Ex tc IIIC T135°C Dc	
IECEx TUN 09.0001 X	Ex d I Mb, Ex nA IIC T4 Gc, Ex tc IIIC T135°C Dc	

Technical Data	
Inputs:	
Sensor inputs	I1 ... I4; clock sensitive to T1 ... T2
	Type 1 acc. to IEC61131
Input current (typ.)	2.2 mA
Input frequency (max.)	50 Hz
Outputs	
Power outputs	O1 ... O2; power outputs for actuators
Output current (per channel)	O1 ... O2: 10 A
Total output current	10 A/20 A (Single output operation)
Max. switching frequency	Resistive load = 50 Hz; Inductive load = 0.1 Hz
Test pulse length	0 ms ... 500 ms
General specifications:	
Achievable safety classes	SIL 3; Cat. 4, PL e
Voltage supply	5 V system voltage via internal bus 24 V via power jumper contacts
Voltage via power jumper contacts	24 V DC (20.4 V ... 31.2 V)
Current consumption typ. (internal)	190 mA
Current consumption typ. (field side)	30 mA + charge
Wire connection	CAGE CLAMP®
Cross sections	0.08 mm² ... 2.5 mm² / AWG 28 ... 14
Strip lengths, 750/753 Series	8 ... 9 mm / 0.33 in
	9 ... 10 mm / 0.37 in
Width	24 mm
Weight	95 g
EMC immunity of interference	acc. to EN 61000-6-2, marine applications
EMC emission of interference	acc. to EN 61000-6-4, marine applications