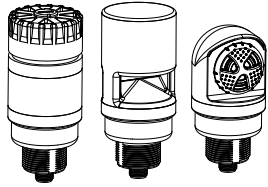


## Datasheet

General-purpose audible indicators

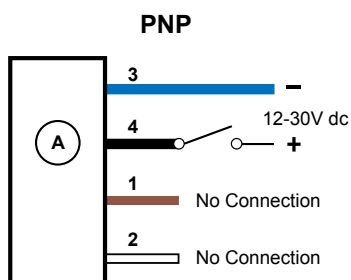


- Rugged, cost-effective and easy to install
- Compact devices are self-contained — no controller needed
- Immune to EMI and RFI interference
- Choose IP50 or Sealed IP67 model, black or light gray housing
- 12 to 30 V dc operation

## Models

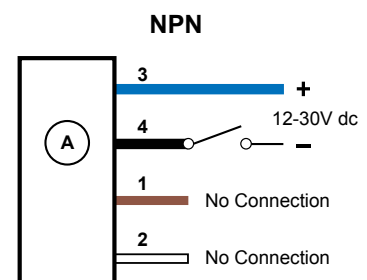
Standard Audible Models <sup>1</sup>			Connection <sup>2</sup>	Inputs
TL50AQ			4-pin Euro integral QD connector	Bimodal (NPN or PNP)
Sealed Audible Models <sup>1</sup>			Connection <sup>2</sup>	Inputs
Continuous	Pulsed at 1.6 Hz	Staccato		
TL50ALSQ	TL50ALS3Q	TL50ALS4Q	4-pin Euro integral QD connector	Bimodal (NPN or PNP)
Omni-Directional Sealed Audible Models <sup>1</sup>			Connection <sup>2</sup>	Inputs
Continuous	Pulsed at 1.6 Hz	Staccato		
TL50AOSQ	TL50AOS3Q	TL50AOS4Q	4-pin Euro integral QD connector	Bimodal (NPN or PNP)
Omni-Directional Sealed Audible Models with Intensity Adjustment <sup>1</sup>			Connection <sup>2</sup>	Inputs
Continuous	Pulsed at 1.6 Hz	Staccato		
TL50AOSIQ	TL50AOS3IQ	TL50AOS4IQ	4-pin Euro integral QD connector	Bimodal (NPN or PNP)

## Wiring



**Key**

- 1 = Brown
- 2 = White
- 3 = Blue
- 4 = Black



<sup>1</sup> Models with black housing are listed. For gray housing, add suffix C at the end of the model number (cabled models) or before the Q (QD models), for example, TL50AC or TL50ACQ.

<sup>2</sup> Integral QD models only are listed; mating cordset required (see [Cordsets](#) on page 3):

- For 150 mm PVC pigtail with QD, replace Q with QP in model number, for example, TL50AQP
- For 2 m (6.5 ft) PVC cable, omit suffix Q from model number, for example, TL50A



# Specifications

**Supply Voltage**

12–30 V dc (10% maximum ripple) at 45 mA maximum; or 21–27 V ac at 45 mA

**Audible Alarm**

Standard Audible Alarm: 2.7 kHz ± 500 Hz oscillation frequency; maximum intensity 92 dB at 1 m (3.3 ft) (typical)  
 Omni-Directional Sealed Audible Alarm: 2.1 kHz ± 250 Hz oscillation frequency; maximum intensity 99 dB at 1 m (3.3 ft) (typical)

**Audible Adjustment**

Sealed Audible Alarm and Omni-Directional Sealed Audible Alarm with Intensity Adjustment: Rotate the front cover until the desired intensity is reached.

**Connections**

Integral 4-pin M12/Euro-style QD, 150 mm (6 in) PVC pigtail with QD, or 2 m (6.5 ft) integral cable, depending on model

**Operating Conditions**

–40 °C to +50 °C (–40 °F to +122 °F)

**Environmental Rating**

Standard models: IEC IP50  
 Sealed models: IEC IP67

**Certifications**



**Required Overcurrent Protection**



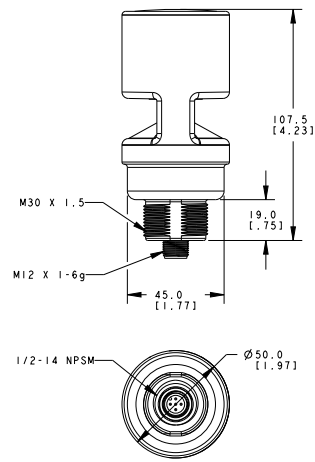
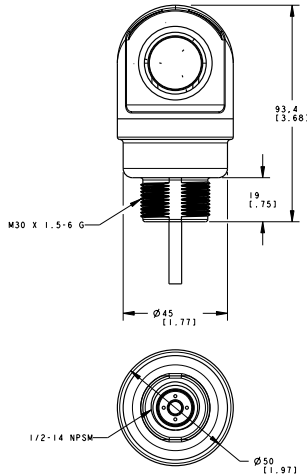
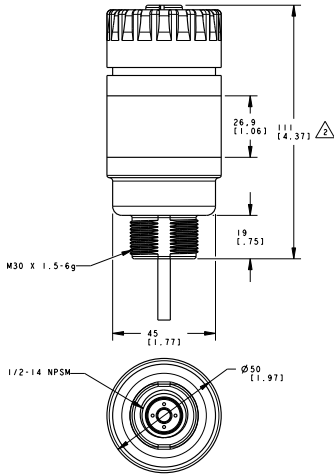
**WARNING:** Electrical connections must be made by qualified personnel in accordance with local and national electrical codes and regulations.

Overcurrent protection is required to be provided by end product application per the supplied table. Overcurrent protection may be provided with external fusing or via Current Limiting, Class 2 Power Supply. Supply wiring leads < 24 AWG shall not be spliced. For additional product support, go to <http://www.bannerengineering.com>.

Supply Wiring (AWG)	Required Overcurrent Protection (Amps)
20	5.0
22	3.0
24	2.0
26	1.0
28	0.8
30	0.5

# Dimensions

Standard Audible Models      Sealed Audible Models      Omni-Directional Models



## Accessories

### Pipe Mounting Flange

Pipe Mounting Flange			
Model	Features	Construction	
SA-F12	<ul style="list-style-type: none"> <li>For use elevated stand-off pipes (½ in, NPSM/DN15)</li> <li>M5 mounting hardware and nitrile gasket included</li> </ul>	Die-cast zinc base with black paint	

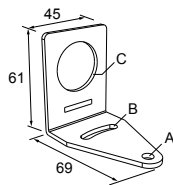
### Cordsets

4-Pin Threaded M12/Euro-Style Cordsets				
Model	Length	Style	Dimensions	Pinout (Female)
MQDC-406	1.83 m (6 ft)	Straight		<p>1 = Brown 2 = White 3 = Blue 4 = Black</p>
MQDC-415	4.57 m (15 ft)			
MQDC-430	9.14 m (30 ft)			
MQDC-450	15.2 m (50 ft)			
MQDC-406RA	1.83 m (6 ft)	Right-Angle		
MQDC-415RA	4.57 m (15 ft)			
MQDC-430RA	9.14 m (30 ft)			
MQDC-450RA	15.2 m (50 ft)			

### Mounting Brackets

#### SMB30A

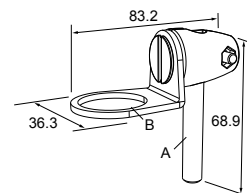
- Right-angle bracket with curved slot for versatile orientation
- Clearance for M6 (¼ in) hardware
- Mounting hole for 30 mm sensor
- 12-ga. stainless steel



Hole center spacing: A to B=40  
Hole size: A=ø 6.3, B= 27.1 x 6.3, C=ø 30.5

#### SMB30FA

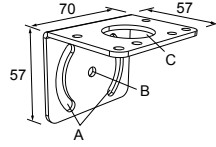
- Swivel bracket with tilt and pan movement for precise adjustment
- Mounting hole for 30 mm sensor
- 12-ga. 304 stainless steel
- Easy sensor mounting to extrude rail T-slot
- Metric and inch size bolt available



Bolt thread: SMB30FA, A= 3/8 - 16 x 2 in; SMB30FAM10, A= M10 - 1.5 x 50  
Hole size: B= ø 30.1

**SMB30MM**

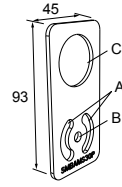
- 12-ga. stainless steel bracket with curved mounting slots for versatile orientation
- Clearance for M6 (¼ in) hardware
- Mounting hole for 30 mm sensor



Hole center spacing: A = 51, A to B = 25.4  
 Hole size: A = 42.6 x 7, B = ø 6.4, C = ø 30.1

**SMBAMS30P**

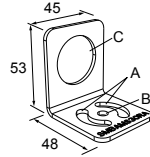
- Flat SMBAMS series bracket
- 30 mm hole for mounting sensors
- Articulation slots for 90° + rotation
- 12-ga. 300 series stainless steel



Hole center spacing: A=26.0, A to B=13.0  
 Hole size: A=26.8 x 7.0, B=ø 6.5, C=ø 31.0

**SMBAMS30RA**

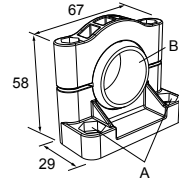
- Right-angle SMBAMS series bracket
- 30 mm hole for mounting sensors
- Articulation slots for 90° + rotation
- 12-ga. (2.6 mm) cold-rolled steel



Hole center spacing: A=26.0, A to B=13.0  
 Hole size: A=26.8 x 7.0, B=ø 6.5, C=ø 31.0

**SMB30SC**

- Swivel bracket with 30 mm mounting hole for sensor
- Black reinforced thermoplastic polyester
- Stainless steel mounting and swivel locking hardware included



Hole center spacing: A=ø 50.8  
 Hole size: A=ø 7.0, B=ø 30.0

All measurements are listed in millimeters (inches), unless noted otherwise.

### LMB Sealed Right-Angle Bracket

Model	Description	Construction	
LMB30RA	Direct-Mount Models: Bracket kit with base, 30 mm adapter, set screw, fasteners, o-rings, and gaskets	Black polycarbonate	
LMB30RAC		Gray polycarbonate	
LMBE12RA	Pipe-Mount Models: Bracket kit with base, ½-14 pipe adapter, set screw, fasteners, o-rings, and gaskets. For use with stand-off pipe (listed and sold separately)	Black polycarbonate	
LMBE12RAC		Gray polycarbonate	

### Elevated Mount System

Model	Features			Components
SA-M30TE12 - Black Acetal	<ul style="list-style-type: none"> <li>• Streamlined black acetal or white UHMW stand-off pipe adapter/cover</li> <li>• Connects between 30 mm light base and ½ in. NPSM/DN15 pipe</li> <li>• Mounting hardware included</li> </ul>			
SA-M30TE12C - White UHMW				
Polished 304 Stainless Steel	Black Anodized Aluminum	Clear Anodized Aluminum	<ul style="list-style-type: none"> <li>• Elevated-use stand-off pipe (½ in. NPSM/DN15)</li> <li>• Polished 304 stainless steel, black anodized aluminum, or clear anodized aluminum surface</li> <li>• ½ in. NPT thread at both ends</li> <li>• Compatible with most industrial environments</li> </ul>	
SOP-E12-150SS 150 mm (6 in) long	SOP-E12-150A 150 mm (6 in) long	SOP-E12-150AC 150 mm (6 in) long		
SOP-E12-300SS 300 mm (12 in) long	SOP-E12-300A 300 mm (12 in) long	SOP-E12-300AC 300 mm (12 in) long		
SOP-E12-900SS 900 mm (36 in) long	SOP-E12-900A 900 mm (36 in) long	SOP-E12-900AC 900 mm (36 in) long		
SA-E12M30 - Black Acetal	<ul style="list-style-type: none"> <li>• Streamlined black acetal or white UHMW mounting base adapter/cover</li> <li>• Connects between ½ in. NPSM/DN15 pipe and 30 mm (1-3/16 in) drilled hole</li> <li>• Mounting hardware included</li> </ul>			
SA-E12M30C - White UHMW				

## Banner Engineering Corp. Limited Warranty

---

Banner Engineering Corp. warrants its products to be free from defects in material and workmanship for one year following the date of shipment. Banner Engineering Corp. will repair or replace, free of charge, any product of its manufacture which, at the time it is returned to the factory, is found to have been defective during the warranty period. This warranty does not cover damage or liability for misuse, abuse, or the improper application or installation of the Banner product.

THIS LIMITED WARRANTY IS EXCLUSIVE AND IN LIEU OF ALL OTHER WARRANTIES WHETHER EXPRESS OR IMPLIED (INCLUDING, WITHOUT LIMITATION, ANY WARRANTY OF MERCHANTABILITY OR FITNESS FOR A PARTICULAR PURPOSE), AND WHETHER ARISING UNDER COURSE OF PERFORMANCE, COURSE OF DEALING OR TRADE USAGE.

This Warranty is exclusive and limited to repair or, at the discretion of Banner Engineering Corp., replacement. IN NO EVENT SHALL BANNER ENGINEERING CORP. BE LIABLE TO BUYER OR ANY OTHER PERSON OR ENTITY FOR ANY EXTRA COSTS, EXPENSES, LOSSES, LOSS OF PROFITS, OR ANY INCIDENTAL, CONSEQUENTIAL OR SPECIAL DAMAGES RESULTING FROM ANY PRODUCT DEFECT OR FROM THE USE OR INABILITY TO USE THE PRODUCT, WHETHER ARISING IN CONTRACT OR WARRANTY, STATUTE, TORT, STRICT LIABILITY, NEGLIGENCE, OR OTHERWISE.

Banner Engineering Corp. reserves the right to change, modify or improve the design of the product without assuming any obligations or liabilities relating to any product previously manufactured by Banner Engineering Corp.