

WORLD-BEAM® QS18 Universal Voltage Sensors



Datasheet



- Easily fits or retrofits almost any mounting configuration
- Exceptional optical performance in a compact right-angle housing
- 20 to 140 V ac/dc or 20 to 270 V ac/dc operation with P-MOSFET or N-MOSFET output, depending on model (see Specifications)
- Bright LED operating status indicators, visible from 360°
- Rugged, sealed housing, protected circuitry, 1200 PSI washdown
- Versatile mounting: front- and base-mount (M18), side-mount, and retrofit brackets



WARNING: Not To Be Used for Personnel Protection

Never use this device as a sensing device for personnel protection. Doing so could lead to serious injury or death. This device does not include the self-checking redundant circuitry necessary to allow its use in personnel safety applications. A sensor failure or malfunction can cause either an energized or de-energized sensor output condition.

Model	Sensing Mode / LED		Sensing Range	Output Type ¹	
QS18WE	940 nm Infrared Effective Beam: 10 mm (0.4 in)	 OPPOSED	20 m (66 ft)	N/A (Emitter)	
QS18ANWR				L.O.	N-MOSFET (Sinking)
QS18RNWR				D.O.	
QS18APWR				L.O.	P-MOSFET (Sourcing)
QS18RPWR	D.O.				
QS18ANWLP	660 nm Visible Red	 POLAR RETRO	3.5 m (12 ft)	L.O.	N-MOSFET (Sinking)
QS18RNWLP				D.O.	
QS18APWLP				L.O.	P-MOSFET (Sourcing)
QS18RPWLP				D.O.	
QS18ANWLV	660 nm Visible Red	 RETRO	6.5 m (21 ft)	L.O.	N-MOSFET (Sinking)
QS18RNWLV				D.O.	
QS18APWLV				L.O.	P-MOSFET (Sourcing)
QS18RPWLV				D.O.	
QS18ANWDL	624 nm Visible Red	 DIFFUSE	450 mm (18 in)	L.O.	N-MOSFET (Sinking)
QS18RNWDL				D.O.	
QS18APWDL				L.O.	P-MOSFET (Sourcing)
QS18RPWDL				D.O.	
QS18ANWDXL	850 nm Infrared	 DIFFUSE	1 m (39 in)	L.O.	N-MOSFET (Sinking)
QS18RNWDXL				D.O.	
QS18APWDXL				L.O.	P-MOSFET (Sourcing)
QS18RPWDXL				D.O.	

Standard 2 m (6.5 ft) cable models are listed. To order the 9 m (30 ft) cable model, add suffix "W/30" to the cabled model number. (for example, QS18WE W/30) QD models: To order models with a 150 mm (6 in) pigtail cable with 4-pin AC Micro-style QD, add suffix "Q2" to the model number (for example, QS18WEQ2). A model with a QD connector requires an accessory mating cordset. 600 V cable models: Standard models are supplied with 300 V cable. For 600 V cable, add suffix "C1" to the model number (for example, QS18WEC1).

¹ MOSFET: Metal oxide semiconductor field-effect transistor.



Indicators



- 1. Green: Power Indicator
- 2. Amber: Output Indicator
- 3. Sensitivity (Gain) Potentiometer

Specifications

Supply Voltage

P-MOSFET Models: 20 to 140 V ac/dc at less than 10 mA, exclusive of load
 N-MOSFET Models: 20 to 270 V ac/dc at less than 10 mA, exclusive of load

Supply Protection Circuitry

Protected against reverse polarity and transient voltages

Output Configuration

Single Discrete Output, 100 mA load rating; N-MOSFET or P-MOSFET, depending on model number; Light Operate or Dark Operate, depending on model number

Output Rating

Rating: 100 mA with short circuit protection
 Off-state leakage current: less than 400 µA
 ON-state saturation voltage: P-MOSFET: 2.75 V; N-MOSFET: 2.5 V

Output Protection Circuitry

Protected against output short-circuit and false pulse on power up.
 Latching short-circuit protection; reset by cycling power.
 Delay at power up; outputs do not conduct during this time: 100 ms max. dc, 300 ms max. ac

Required Overcurrent Protection



WARNING: Electrical connections must be made by qualified personnel in accordance with local and national electrical codes and regulations.

Overcurrent protection is required to be provided by end product application per the supplied table.
 Overcurrent protection may be provided with external fusing or via Current Limiting, Class 2 Power Supply.
 Supply wiring leads < 24 AWG shall not be spliced.
 For additional product support, go to <http://www.bannerengineering.com>.

Supply Wiring	Required Overcurrent Protection
20	5.0 Amps
22	3.0 Amps
24	2.0 Amps
26	1.0 Amps
28	0.8 Amps
30	0.5 Amps

Output Response

Opposed mode: 16.6 ms (1 cycle at 60 Hz)
 All other modes: 8.3 ms (1/2 cycle at 60 Hz)

Repeatability

1.5 ms

Indicators

2 LED indicators on sensor top:
 Green solid: Power on
 Green flashing: Sensor output short circuit
 Amber solid: Light sensed
 Amber flashing: Marginal excess gain (1 to 1.5x excess gain)

Adjustments

Diffuse, Retroreflective and Polarized Retroreflective models only: 1-turn potentiometer Sensitivity (Gain) adjustment

Construction

ABS housing, PMMA lens, Acetal Gain Adjuster

Connections

2 m (6.5 ft) 3-conductor, 22 AWG PVC cable (300 V ac), or 150 mm (6 in) pigtail PVC cable with 4-pin threaded Micro-style connector; "C1" suffix models: 2 m (6.5 ft) 3-conductor, 22 AWG PVC cable (600 V ac).

Environmental Rating

IEC IP67; NEMA 6; UL Type 1
 1200 PSI washdown: NEMA ICS5, Annex F-2002 (PW12)

Operating Conditions

Relative Humidity: 95% @ 55 °C (non-condensing)
 Temperature: Less than 140 V ac/dc: -25 °C to 70 °C (-13 °F to 158 °F) (N-MOSFET and P-MOSFET models)
 140 V ac/dc or greater: -25 °C to 55 °C (-13 °F to 131 °F) (N-MOSFET models only)

Certifications—All Models

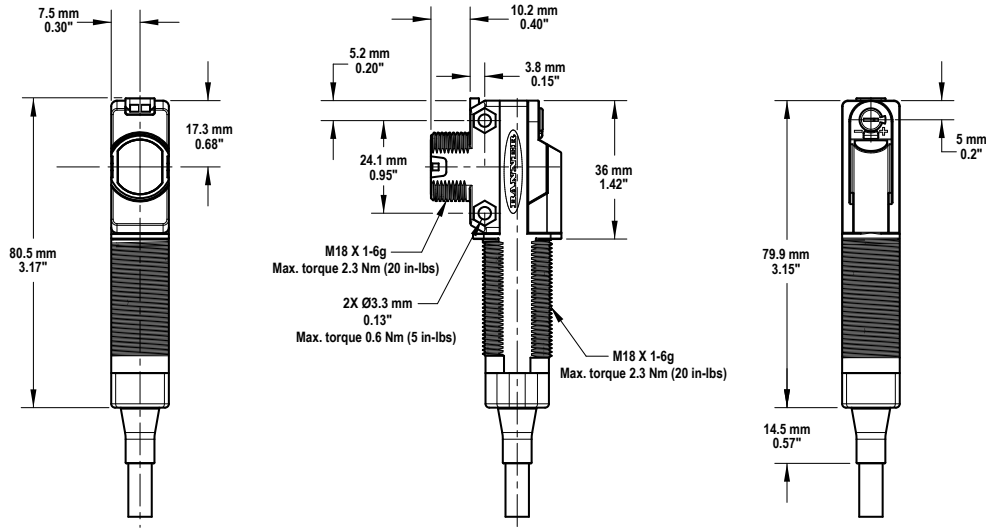


Certifications—All models except QS18WE

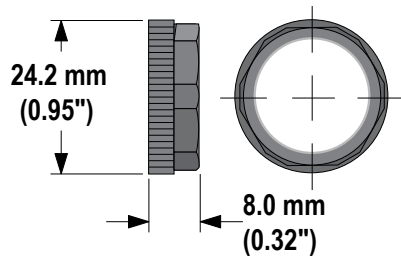


IND. CONT. EQ.

Dimensions



All measurements are listed in millimeters (inches).



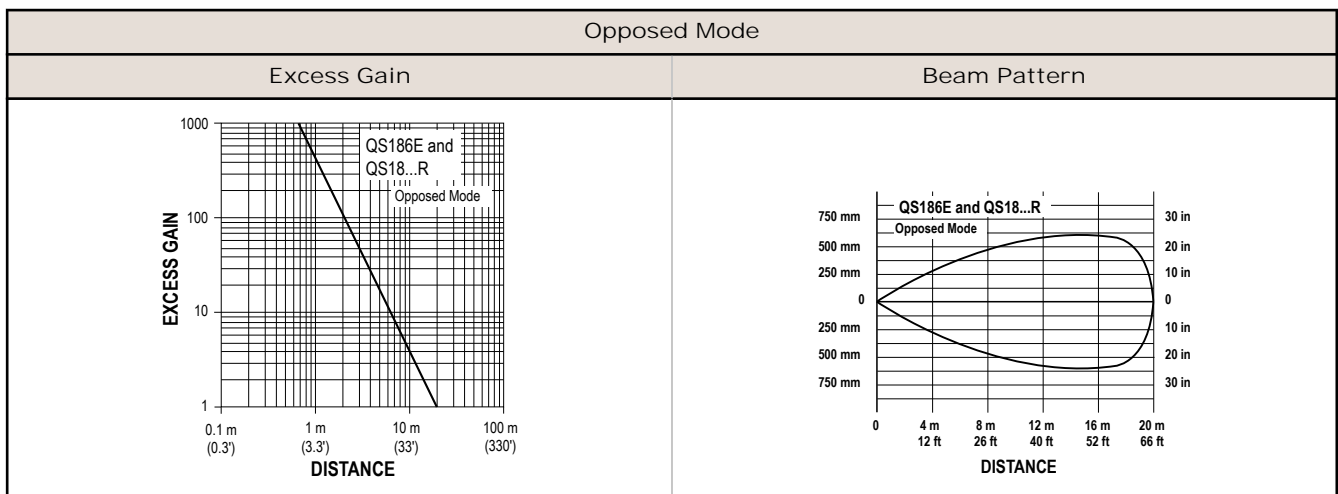
Packing List

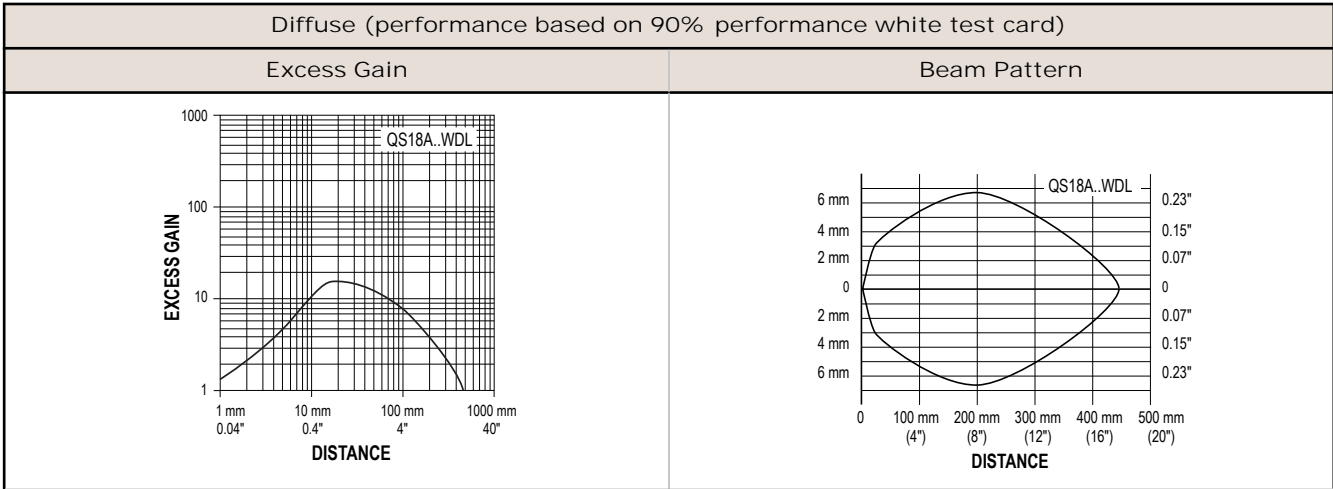
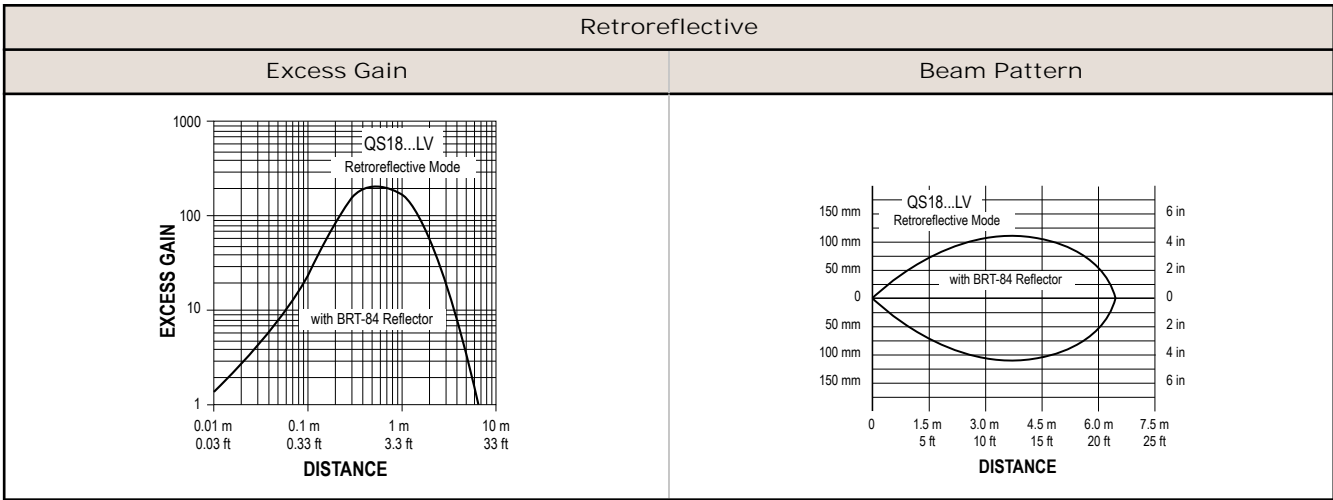
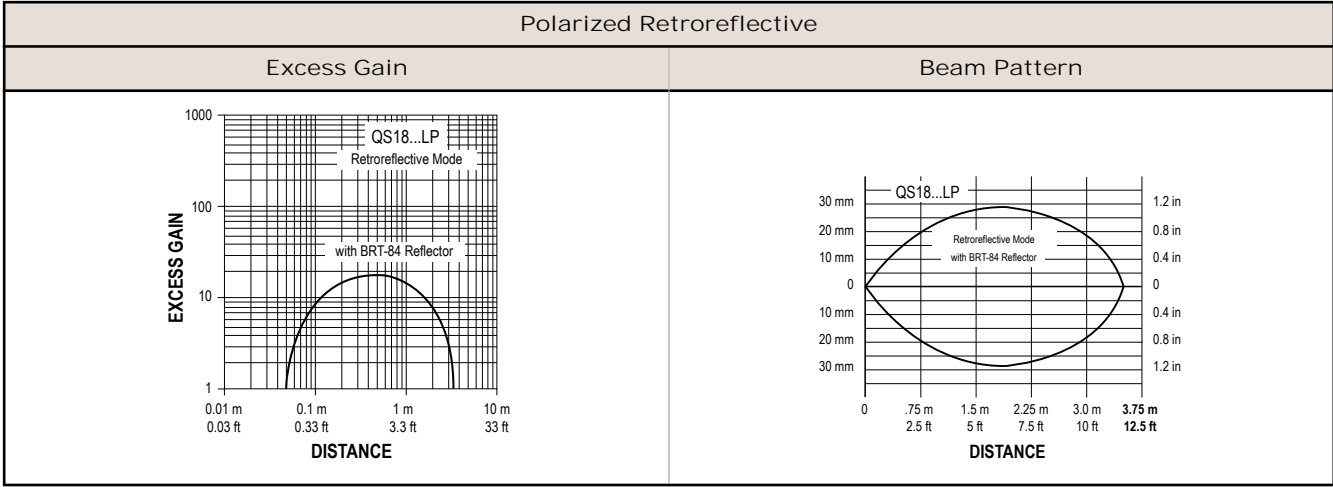
- Sensor
- M18 × 1 jam nut
- M3 hardware packet
- Datasheet

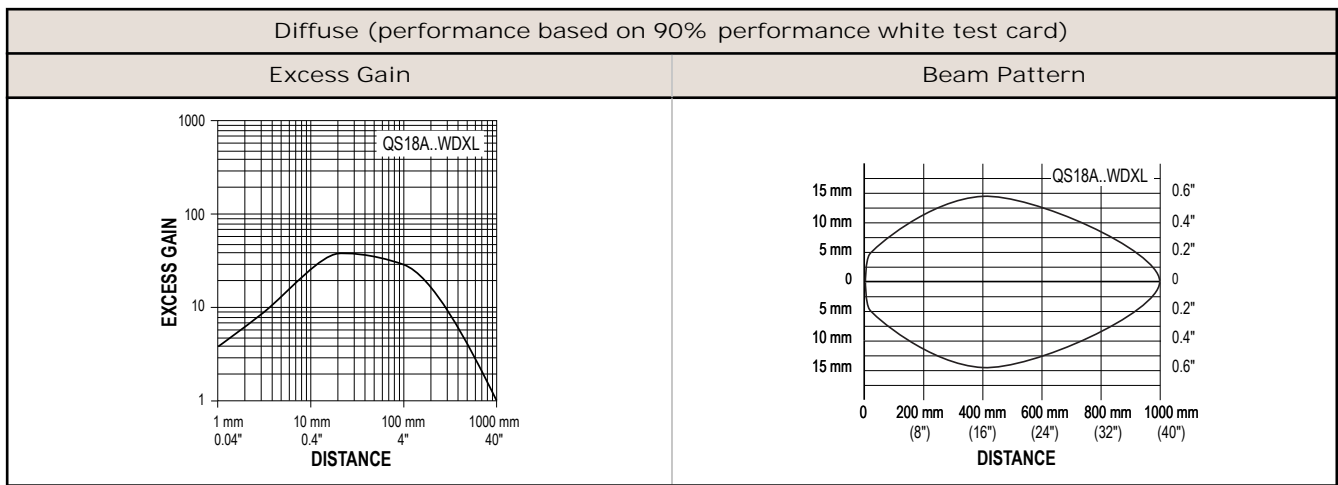
M3 Hardware Packet Contents

- 2 – M3 × 0.5 × 20 mm SS Screw
- 2 – M3 × 0.5 SS Hex Nut
- 2 – M3 SS Washer

Performance Curves







Wiring Diagrams

Cabled Models	Quick Disconnect (OD) Models
---------------	------------------------------

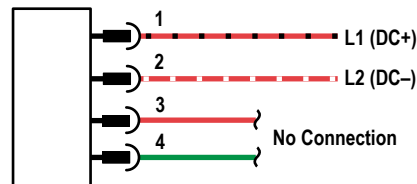
- 1 = Brown
 3 = Blue
 4 = Black (no connection for emitters)

- 1 = Red/Black
 2 = Red/White
 3 = Red (no connection for emitters)
 4 = Green (no connection for emitters)

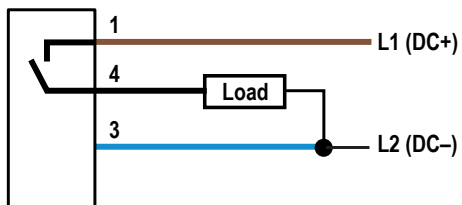
Emitter



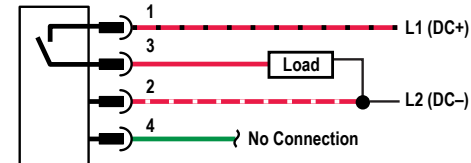
Emitter



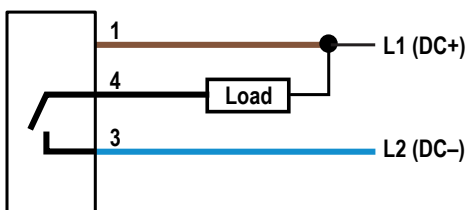
P-MOSFET



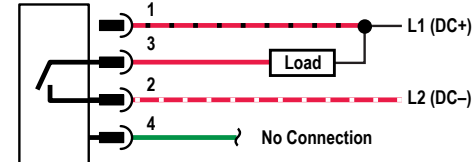
P-MOSFET



N-MOSFET

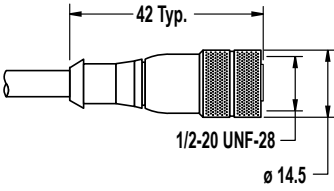
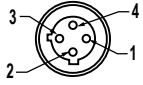


N-MOSFET

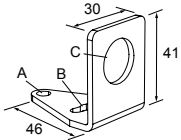



Accessories

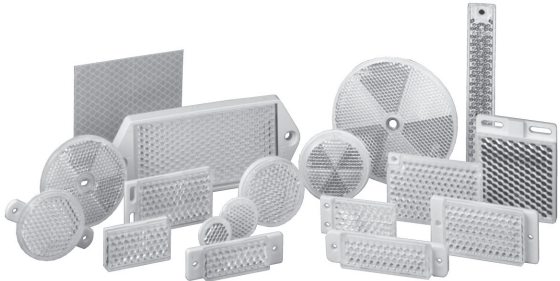
Cordsets

4-Pin Micro-Style Cordsets				
Model	Length	Style	Dimensions	Pinout
MQAC-406	1.83 m (6 ft)	Straight		 1 = Red/Black 2 = Red/White 3 = Red 4 = Green
MQAC-415	4.57 m (15 ft)			
MQAC-430	9.14 m (30 ft)			

Mounting Brackets

<p>SMB18A</p> <ul style="list-style-type: none"> • Right-angle mounting bracket with a curved slot for versatile orientation • 12-ga. stainless steel • 18 mm sensor mounting hole • Clearance for M4 (#8) hardware  <p>Hole center spacing: A to B = 24.2 Hole size: A = ø 4.6, B = 17.0 x 4.6, C = ø 18.5</p>	<p>SMBQS18WRS</p> <ul style="list-style-type: none"> • Retrofit bracket for Universal voltage models; sensor base threads into bracket, bracket bolts to flat surface • PBT construction • Clearance for M3 or #6-32 hardware 
<p>Other sensor model shown with bracket above. Refer to your current Banner catalog for more mounting bracket options, including: SMB312S, SMB18SF, SMB3018SC, SMB18FA.</p>	

Retroreflective Targets



See the Accessories section of your current Banner catalog for complete information.



NOTE: Polarized sensors require corner cube type retroreflective targets only.

Apertures

Model	Description	Pieces	
Circular			
APQS18-020	0.5 mm dia.	6	
APQS18-040	1.0 mm dia.	6	
APQS18-100	2.5 mm dia.	6	
Horizontal Slot			
APQS18-020H	0.5 × 6.4 mm	6	
APQS18-040H	1.0 × 6.4 mm	6	
APQS18-100H	2.5 × 6.4 mm	6	
Vertical Slot			
APQS18-020V	0.5 × 12.7 mm	6	
APQS18-040V	1.0 × 12.7 mm	6	
APQS18-100V	2.5 × 12.7 mm	6	
Kit			
APQS18-DVHX2	2 of each aperture	18	

Banner Engineering Corp Limited Warranty

Banner Engineering Corp. warrants its products to be free from defects in material and workmanship for one year following the date of shipment. Banner Engineering Corp. will repair or replace, free of charge, any product of its manufacture which, at the time it is returned to the factory, is found to have been defective during the warranty period. This warranty does not cover damage or liability for misuse, abuse, or the improper application or installation of the Banner product.

THIS LIMITED WARRANTY IS EXCLUSIVE AND IN LIEU OF ALL OTHER WARRANTIES WHETHER EXPRESS OR IMPLIED (INCLUDING, WITHOUT LIMITATION, ANY WARRANTY OF MERCHANTABILITY OR FITNESS FOR A PARTICULAR PURPOSE), AND WHETHER ARISING UNDER COURSE OF PERFORMANCE, COURSE OF DEALING OR TRADE USAGE.

This Warranty is exclusive and limited to repair or, at the discretion of Banner Engineering Corp., replacement. IN NO EVENT SHALL BANNER ENGINEERING CORP. BE LIABLE TO BUYER OR ANY OTHER PERSON OR ENTITY FOR ANY EXTRA COSTS, EXPENSES, LOSSES, LOSS OF PROFITS, OR ANY INCIDENTAL, CONSEQUENTIAL OR SPECIAL DAMAGES RESULTING FROM ANY PRODUCT DEFECT OR FROM THE USE OR INABILITY TO USE THE PRODUCT, WHETHER ARISING IN CONTRACT OR WARRANTY, STATUTE, TORT, STRICT LIABILITY, NEGLIGENCE, OR OTHERWISE.

Banner Engineering Corp. reserves the right to change, modify or improve the design of the product without assuming any obligations or liabilities relating to any product previously manufactured by Banner Engineering Corp.