

Suction cup U30 Nitrile-PVC, G1/8" male, with mesh filter, U30.30.02AB

- Suitable for objects with flat or slightly curved surfaces.
- Also used for concave objects.



General

Curve radius	0.79 in
Movement, vertical max.	0.14 in
Application	Plastic injection molded parts, Dry sheet metal
Material	Nitrile-PVC (NPV)
Suction cup model	U
Suction cup shape	Universal
Volume	0.12 in ³
Weight	0.06 oz

Fitting

Fitting size	1/8"
Fitting style	Male
Fitting type	G-thread
Fitting option	Filter mesh

Dimension

Height	0.85 in
Outer diameter	1.26 in

Performance — lifting forces

		
6 -inHg	2.7 lbf	1.75 lbf
18 -inHg	5.62 lbf	2.2 lbf
27 -inHg	6.74 lbf	2.47 lbf

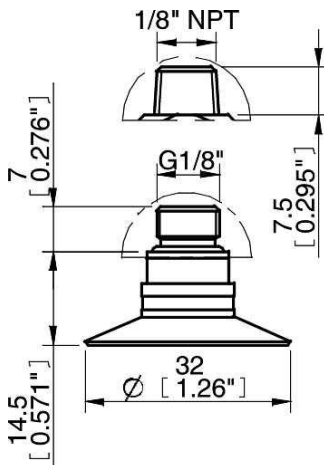
Material

	Nitrile-PVC (NPV)
Color	Black
Hardness	50 Shore A
Temperature	32 – 194 F

Material resistance

	Nitrile-PVC (NPV)
Alcohol	++
Concentrated acids	+
Ethanol	N/A
Hydrolysis	++
Methanol	N/A
Oil	+++
Oxidation	++
Gasoline	+++
Wear resistance	+++
Weather and ozone	++

Dimensional drawings



Spare parts

	Part no.
Fitting G1/8" male, with mesh filter	o2AB
Suction cup U30 Nitrile-PVC	U30.30

Accessories

	Part no.
Suction cup U30 Silicone	U30.20
Fitting M5 female, with dual flow control valve	02DA
Fitting M5 female	02AA
Fitting G1/8" male/M5 female, with mesh filter	02AF
Fitting G1/8" male/M5 female, with dual flow control valve	02DD
Fitting G1/8" male/M5 female, PA	02CD
Fitting G1/8" male/M5 female	02AD
Fitting G1/8" male, with mesh filter and dual flow control valve	02DB
Fitting 5xM5 female, with dual flow control valve	02DE
Fitting 5xM5 female	02AE
Fitting 1/8" NPT male, with mesh filter	02AC
Fitting 1/8" NPT male, with dual flow control valve	02DC