

Suction cup OF55x150P Polyurethane 40, thread insert G3/8" male, with mesh filter



, 0109852



- Suitable for flat and rough surfaces.
- Fair stability and little inherent movement.
- Recommended when the lifting force is parallel to the surface of the object.
- Cleats prevent thin, sensitive objects from being deformed and give extra friction when the lifting force is parallel to the surface of the object.
- DURAFLEX® are suction cups manufactured in a specially developed material that features the elasticity of rubber and wear resistance of polyurethane. The material does not leave any marks on the objects handled.

General

Curve radius	150 mm
Movement, vertical max.	3 mm
Application	Plastic injection molded parts, Dry sheet metal, Corrugated / cardboard
Material	Polyurethane (PU40)
Suction cup model	OF
Suction cup shape	Oval Flat
Volume	37 cm ³
Weight	109 g

Fitting

Fitting size	3/8"
Fitting style	Male
Fitting type	G-thread
Fitting option	Filter mesh

Dimension

Height	31 mm
Outer diameter	154 mm
Width	59 mm

Performance — lifting forces

		
20 -kPa	131 N	155 N
60 -kPa	366 N	350 N
90 -kPa	527 N	455 N

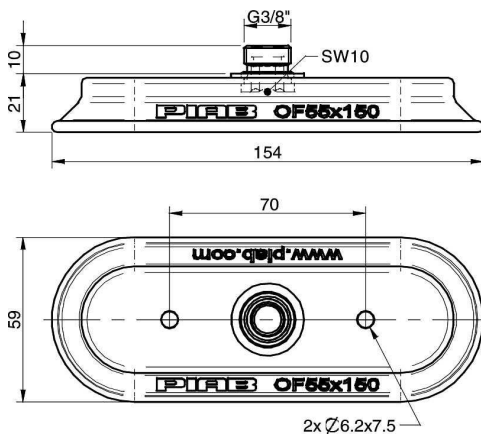
Material

	Polyurethane (PU40)
Colour	Red transparent
Hardness	40 Shore A
Temperature	10 – 50 °C

Material resistance

	Polyurethane (PU40)
Alcohol	N/A
Concentrated acids	+
Ethanol	+
Hydrolysis	+
Methanol	-
Oil	+++
Oxidation	-
Petrol	+
Wear resistance	+++
Weather and ozone	+++

Dimensional drawings



Spare parts

	Item no.
Suction cup OF55x150P Polyurethane 40	0109909
Thread insert G3/8" male, with O-ring and mesh filter	0107148

Accessories

	Item no.
Suction cup OF55x150P Polyurethane 60	0109908